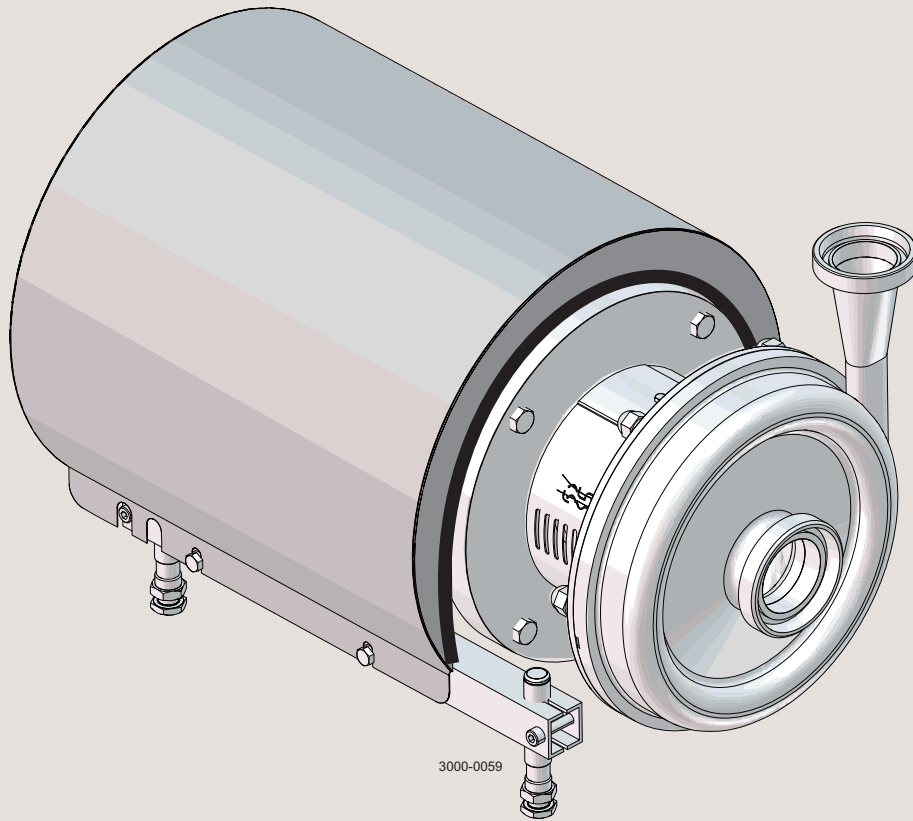




Spare Parts

LKH Evap



ESE01744-EN10 2018-08

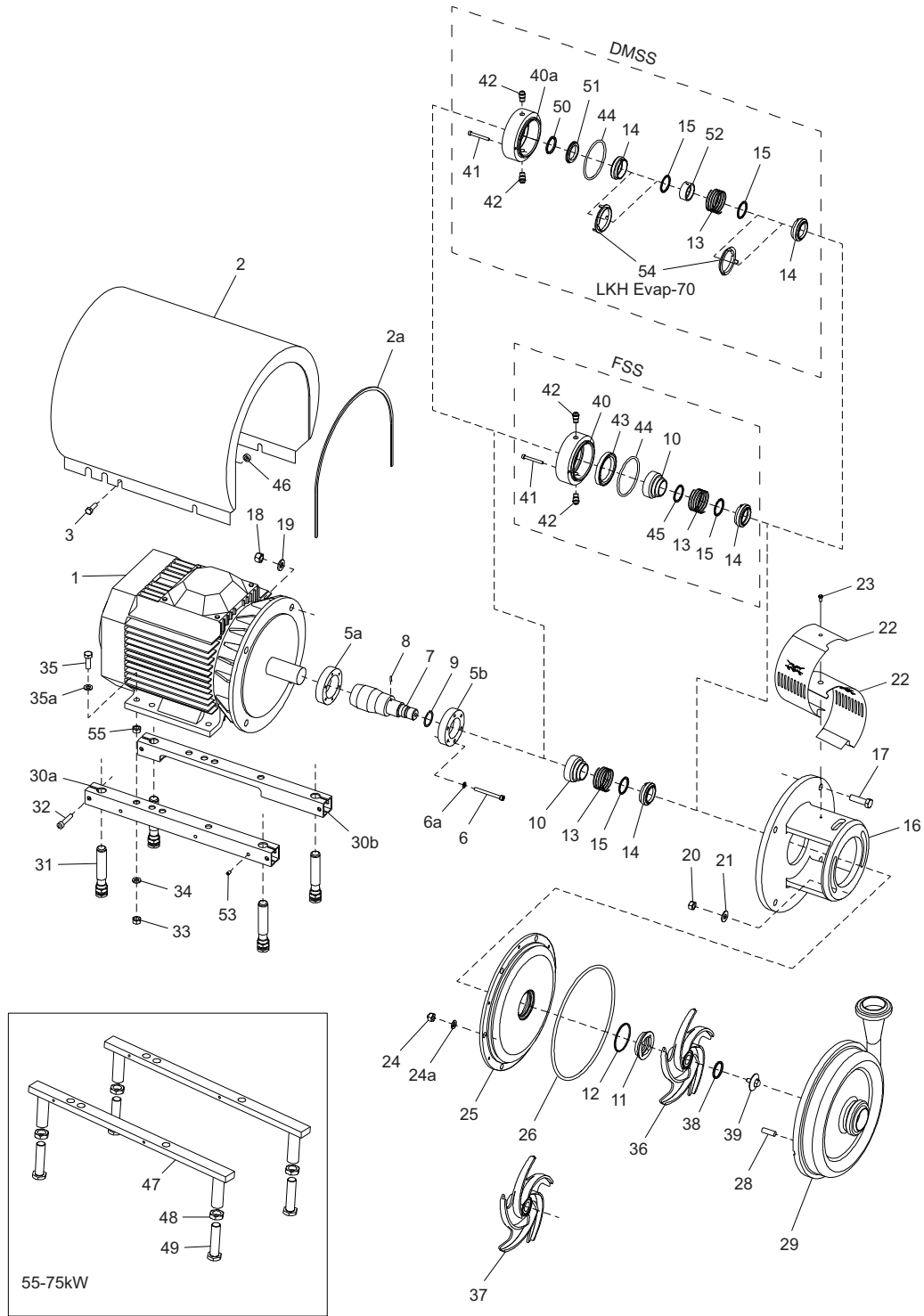
Original manual

Table of contents

The information herein is correct at the time of issue but may be subject to change without prior notice

1. LKH Evap - Wet end	4
2. LKH Evap - Motor dependent parts	8
3. LKH Evap - Shaft seal and service kits	12

DMSS = Double Mechanical Shaft Seal. FSS = Flushed Shaft Seal



3006-0002

LKH Evap - Wet end

Pump Casing std. blasted

Pos	Qty	Denomination	LKH Evap-10	LKH Evap-15	LKH Evap-15	LKH Evap-20	LKH Evap-25
			IEC90-IEC112	IEC100-IEC132	IEC90-IEC132	IEC112-IEC160	IEC112-IEC160
			In-/outlet 2.5-2*	In-/outlet 3-3*	In-/outlet 4-3*	In-/outlet 2.5-2*	In-/outlet 3-2.5*
29	1	Pump casing, IDF	9612139801	9614057811	9612492401	9612139806	9612492406
	1	Pump casing, SMS	9612139802	9614057812	9612492402	9612139807	9612492407
	1	Pump casing, DIN/ISO	9612139803	9614057813	9612492403	9612139808	9612492408
	1	Pump casing, ISO (Clamp)	9612139804	9614057814	9612492404	9612139809	9612492409
	1	Pump casing, BS	9612139805	9614057815	9612492405	9612139810	9612492410
	1	Pump casing, DS	9612139826	9614057816	9612492421	9612139828	9612492422
	1	Pump casing, DIN/DIN	9612139827	9614057817	9614057802	9612139829	9614057803

Pos	Qty	Denomination	LKH Evap-35	LKH Evap-40	LKH Evap-45	LKH Evap-45	LKH Evap-50
			IEC112-IEC160	IEC132-IEC180	IEC112-IEC160	IEC112-IEC160	IEC132-IEC180
			In-/outlet 2.5-2*	In-/outlet 3-2*	In-/outlet 3-3*	In-/outlet 4-3*	In-/outlet 3-3*
29	1	Pump casing, IDF	9612492411	9612139816	9614057818	9612492416	9612139834
	1	Pump casing, SMS	9612492412	9612139817	9614057819	9612492417	9612139835
	1	Pump casing, DIN/ISO	9612492413	9612139818	9614057820	9612492418	9612139836
	1	Pump casing, ISO (Clamp)	9612492414	9612139819	9614057821	9612492419	9612139837
	1	Pump casing, BS	9612492415	9612139820	9614057822	9612492420	9612139838
	1	Pump casing, DS	9612492423	9612139830	9614057823	9612492424	9612139839
	1	Pump casing, DIN/DIN	9614057804	9612139831	9614057824	9614057805	9612139840

Pos	Qty	Denomination	LKH Evap-50	LKH Evap-60	LKH Evap-60	LKH Evap-70	
			IEC132-IEC180	IEC132-IEC200	IEC132-IEC200	IEC132-IEC250	
			In-/outlet 4-3*	In-/outlet 3-4*	In-/outlet 4-4*	In-/outlet 4-3*	
29	1	Pump casing, IDF		9612139821	9612355421	9612355401	9612514701
	1	Pump casing, SMS		9612139822	9612355422	9612355402	9612514702
	1	Pump casing, DIN/ISO		9612139823	9612355423	9612355403	9612514703
	1	Pump casing, ISO (Clamp)		9612139824	9612355424	9612355404	9612514704
	1	Pump casing, BS		9612139825	9612355425	9612355405	9612514705
	1	Pump casing, DS		9612139832	9612355426	9612355406	9612514711
	1	Pump casing, DIN/DIN		9612139833	9612355427	9612355419	9612514732

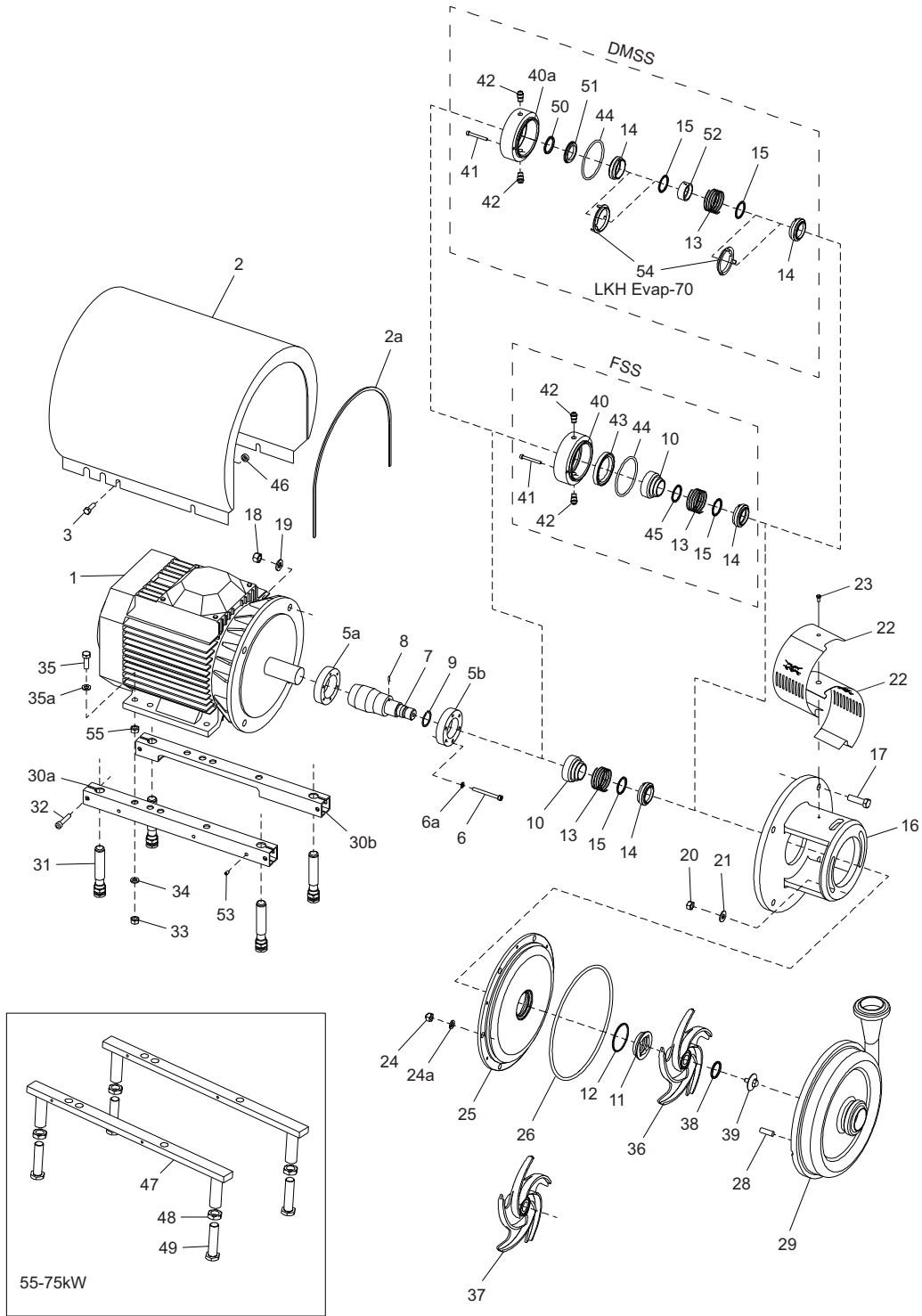
Pump Casing Mech Ra ≤ 0.8

Pos	Qty	Denomination	LKH Evap-10	LKH Evap-15	LKH Evap-15	LKH Evap-20	LKH Evap-25
			IEC90-IEC112	IEC100-IEC132	IEC100-IEC132	IEC90-IEC132	IEC112-IEC160
			In-/outlet 2.5-2*	In-/outlet 3-3*	In-/outlet 4-3*	In-/outlet 2.5-2*	In-/outlet 3-2.5*
29	1	Pump casing, IDF	9612457201	9614057825	9612492501	9612457206	9612492506
	1	Pump casing, SMS	9612457202	9614057826	9612492502	9612457207	9612492507
	1	Pump casing, DIN/ISO	9612457203	9614057827	9612492503	9612457208	9612492508
	1	Pump casing, ISO (Clamp)	9612457204	9614057828	9612492504	9612457209	9612492509
	1	Pump casing, BS	9612457205	9614057829	9612492505	9612457210	9612492510
	1	Pump casing, DS	9612457226	9614057830	9612492521	9612457228	9612492522
	1	Pump casing, DIN/DIN	9612457227	9614057831	9614057807	9612457229	9614057808

Pos	Qty	Denomination	LKH Evap-35	LKH Evap-40	LKH Evap-45	LKH Evap-45	LKH Evap-50
			IEC112-IEC160	IEC132-IEC180	IEC112-IEC160	IEC112-IEC160	IEC132-IEC180
			In-/outlet 2.5-2*	In-/outlet 3-2*	In-/outlet 3-3*	In-/outlet 4-3*	In-/outlet 3-3*
29	1	Pump casing, IDF	9612492511	9612457216	9614057832	9612492516	9612457234
	1	Pump casing, SMS	9612492512	9612457217	9614057833	9612492517	9612457235
	1	Pump casing, DIN/ISO	9612492513	9612457218	9614057834	9612492518	9612457236
	1	Pump casing, ISO (Clamp)	9612492514	9612457219	9614057835	9612492519	9612457237
	1	Pump casing, BS	9612492515	9612457220	9614057836	9612492520	9612457238
	1	Pump casing, DS	9612492523	9612457230	9614057837	9612492524	9612457239
	1	Pump casing, DIN/DIN	9614057809	9612457231	9614057838	9614057810	9612457240

Pos	Qty	Denomination	LKH Evap-50	LKH Evap-60	LKH Evap-60	LKH Evap-70	
			IEC132-IEC180	IEC132-IEC200	IEC132-IEC200	IEC132-IEC250	
			In-/outlet 4-3*	In-/outlet 3-4*	In-/outlet 4-4*	In-/outlet 4-3*	
29	1	Pump casing, IDF		9612457221	9612355428	9612355409	9612514706
	1	Pump casing, SMS		9612457222	9612355429	9612355410	9612514707
	1	Pump casing, DIN/ISO		9612457223	9612355430	9612355411	9612514708
	1	Pump casing, ISO (Clamp)		9612457224	9612355431	9612355412	9612514709
	1	Pump casing, BS		9612457225	9612355432	9612355413	9612514710
	1	Pump casing, DS		9612457232	9612355433	9612355414	9612514712
	1	Pump casing, DIN/DIN		9612457233	9612355434	9612355420	9612514733

DMSS = Double Mechanical Shaft Seal. FSS = Flushed Shaft Seal



3006-0002

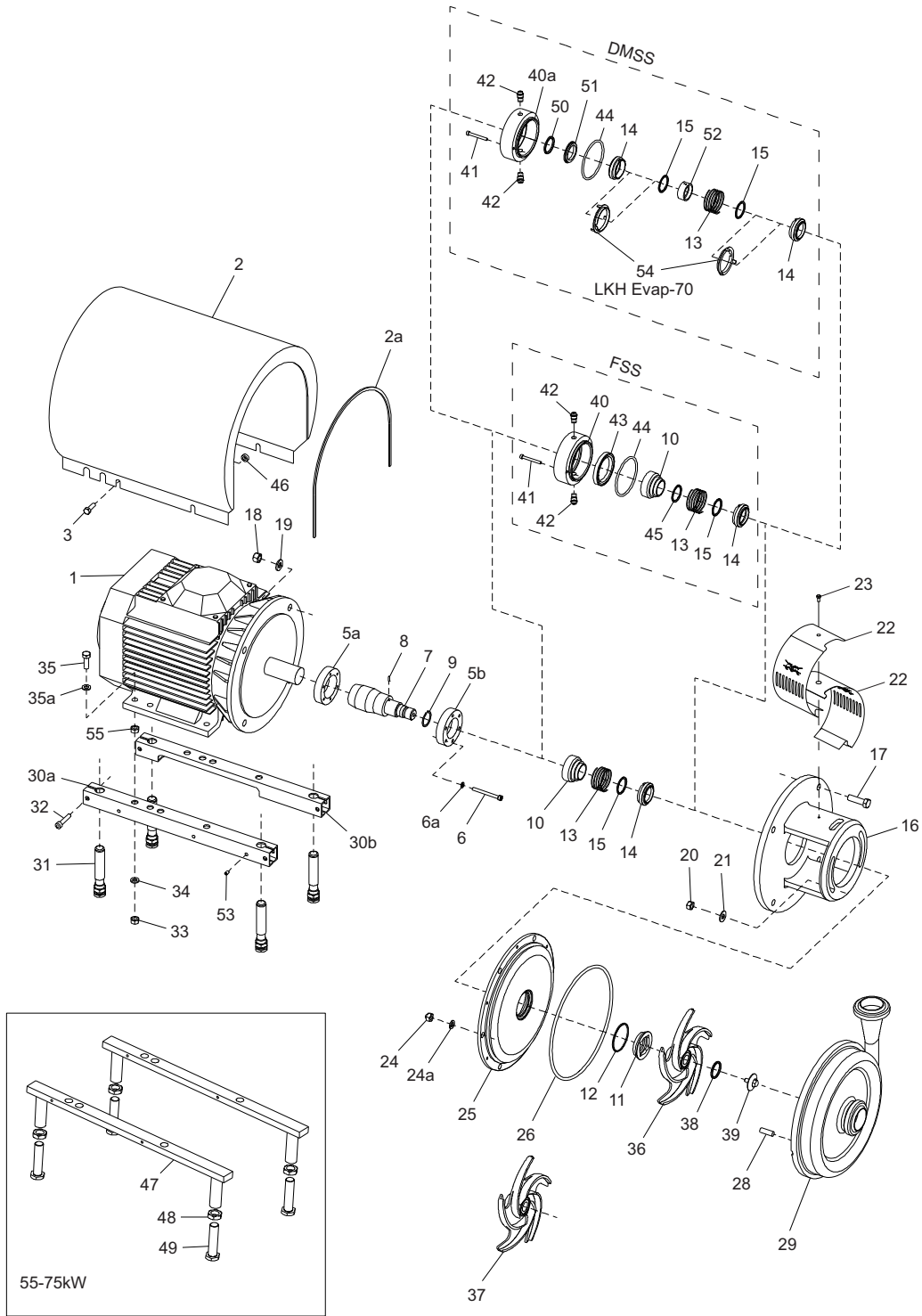
LKH Evap - Wet end

Pos	Qty	Denomination	LKH Evap-10	LKH Evap-15	LKH Evap-20	LKH Evap-25	LKH Evap-35
			IEC90-IEC112	IEC100-IEC132	IEC90-IEC132	IEC112-IEC160	IEC112-IEC160
20	2	Nut	9611990353	9611990353	9611990353	9611990353	9611990353
21	2	Washer	9611992559	9611992559	9611992559	9611992559	9611992559
24	6	Cap nut	9611992592	9611992592	9611992592	9611992593	9611992593
24a	6	Washer	9611991888	9611991888	9611991888	9611991887	9611991887
25	1	Back plate, std. blasted	9612138404	9612138404	9612138405	9612138423	9612138423
	1	Back plate, Mech Ra ≤ 0.8	9612138420	9612138420	9612138421	9612138424	9612138424
26	1	O-ring, EPDM (standard)	9611992137	9611992137	9611992141	9611992983	9611992983
	1	O-ring, NBR	9611992139	9611992139	9611992143	9611992984	9611992984
	1	O-ring, FPM	9611992138	9611992138	9611992142	9611992985	9611992985
	1	O-ring, FEP	9611992140	9611992140	9611992144	9611992986	9611992986
28	6	Bolt	9611992168	9611992168	9611992168	9611992169	9611992169
36	1	Impeller, std. blasted	9612131202	9612431402	9612131402	9612425202	9612434102
	1	Impeller, Mech Ra ≤ 0.8	9612131228	9612431413	9612131418	9612425216	9612434116
37	1	Impeller, ClearFlow, std. blasted	9613482001	9613482101	9614053201	9614053301	9613482201
	1	Impeller, ClearFlow, Mech Ra ≤ 0.8	9613482002	9613482102	9614053202	9614053302	9613482202
38	1	O-ring, EPDM (standard)	9611992145	9611992145	9611992145	9611992145	9611992145
	1	O-ring, NBR	9611992147	9611992147	9611992147	9611992147	9611992147
	1	O-ring, FPM	9611992146	9611992146	9611992146	9611992146	9611992146
	1	O-ring, FEP	9611992148	9611992148	9611992148	9611992148	9611992148
39	1	Impeller screw, std. blasted	9612139601	9612139601	9612139601	9612139601	9612139601
	1	Impeller screw, Mech Ra ≤ 0.8	9612139603	9612139603	9612139603	9612139603	9612139603

Pos	Qty	Denomination	LKH Evap-40	LKH Evap-45	LKH Evap-50	LKH Evap-60	LKH Evap-70
			IEC132-IEC180	IEC112-IEC160	IEC132-IEC180	IEC132-IEC200	IEC132-IEC250
20	2	Nut	9611990353	9611990353	9611990353	9611990353	
	4	Nut					9611990353
21	2	Washer	9611992559	9611992559	9611992559	9611992559	
	4	Washer					9611992559
24	6	Cap nut	9611992593	9611992593	9611992593	9611992593	
	8	Cap nut, (LKH Evap-70 and -75)					9611992593
24a	6	Washer	9611991887	9611991887	9611991887	9611991887	
	8	Washer, (LKH Evap-70 and -75)					9611991887
25	1	Back plate std. blasted	9612138406	9612138423	9612138406	9612138406	9612514601
	1	Back plate, Mech Ra ≤ 0.8	9612138422	9612138424	9612138422	9612138422	9612514607
26	1	O-ring, EPDM (standard)	9611992171	9611992983	9611992171	9611992171	9611993211
	1	O-ring, NBR	9611992173	9611992984	9611992173	9611992173	9611993212
	1	O-ring, FPM	9611992172	9611992985	9611992172	9611992172	9611993213
	1	O-ring, FEP	9611992174	9611992986	9611992174	9611992174	9611993214
28	6	Bolt	9611992169	9611992169	9611992169	9611992169	
	8	Bolt, (LKH Evap-70 and -75)					9611992169
36	1	Impeller, std. blasted	9612131802	9612363002	9612132002	9612128302	9612499401
	1	Impeller, Mech Ra ≤ 0.8	9612131816	9612363013	9612132015	9612128315	9612499403
37	1	Impeller, ClearFlow, std. blasted	9613499501	9613482301	9613482401	9613482501	9614053401
	1	Impeller, ClearFlow, Mech Ra ≤ 0.8	9613499502	9613482302	9613482402	9613482502	9614053402
38	1	O-ring, EPDM (standard)	9611992145	9611992145	9611992145	9611992145	9611993215
	1	O-ring, NBR	9611992147	9611992147	9611992147	9611992147	9611993216
	1	O-ring, FPM	9611992146	9611992146	9611992146	9611992146	9611993217
	1	O-ring, FEP	9611992148	9611992148	9611992148	9611992148	9611993218
39	1	Impeller screw, std. blasted	9612139601	9612139601	9612139601	9612139601	9612927101
	1	Impeller screw, Mech Ra ≤ 0.8	9612139603	9612139603	9612139603	9612139603	9612927102

LKH Evap - Motor dependent parts

DMSS = Double Mechanical Shaft Seal. FSS = Flushed Shaft Seal



3006-0002

LKH Evap - Motor dependent parts

Pos	Qty	Denomination	1.5 kW IEC90	2.2 kW IEC90	3 kW IEC100	4 kW IEC112	5.5 kW IEC132
1	1	Motor ABB, 3000rpm	9614303003	9614303004	9614303005	9614303006	9614303007
	1	Motor ABB, 1500rpm					9614303023

Pos	Qty	Denomination	7.5 kW IEC132	11 kW IEC160	15 kW IEC160	18.5 kW IEC160	22 kW IEC180
1	1	Motor ABB, 3000rpm	9614303008	96143033009	9614303010	9614303011	9614303012
	1	Motor ABB, 1500rpm	9614303024				

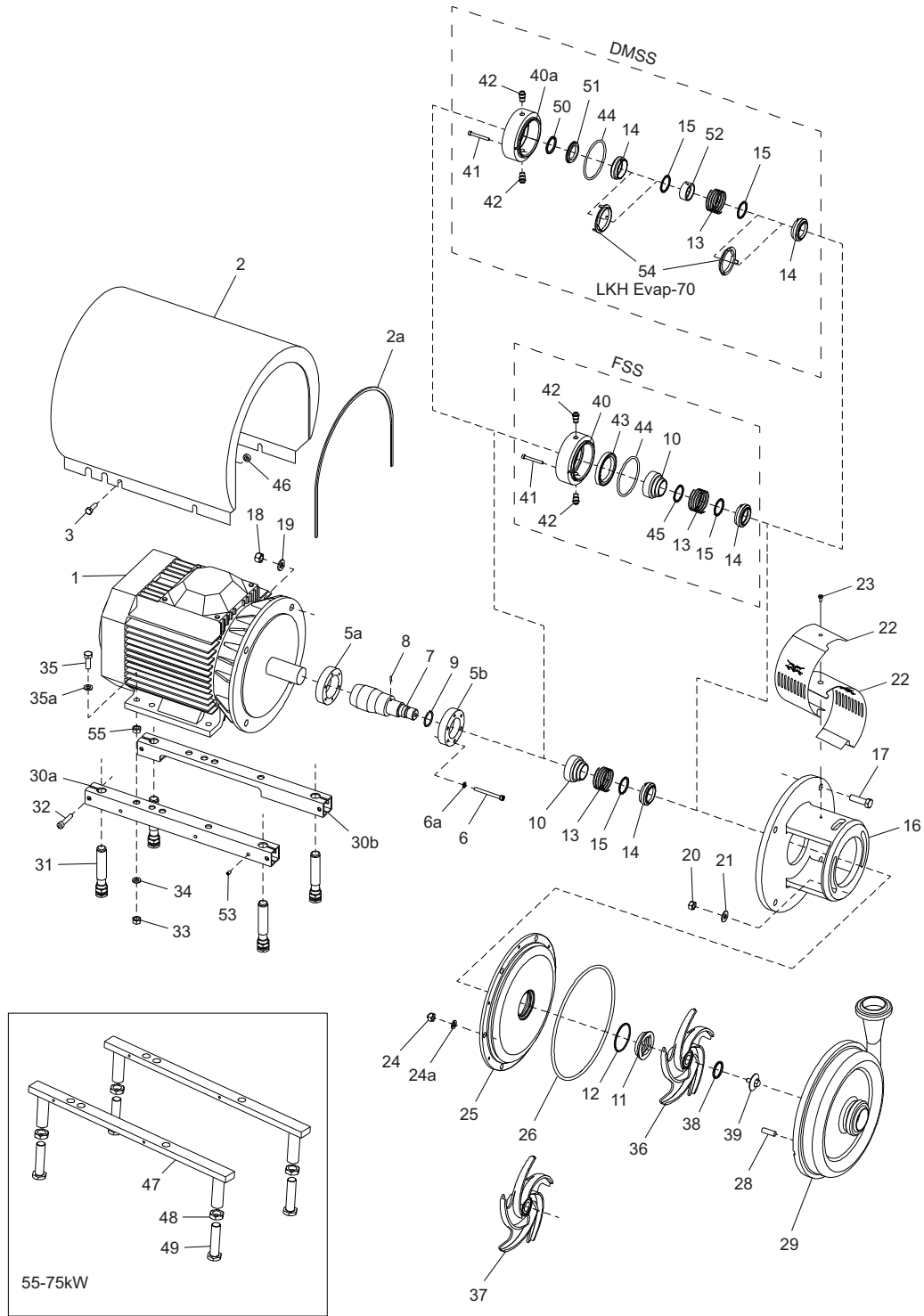
Pos	Qty	Denomination	30 kW IEC200	37 kW IEC200	45 kW IEC200	55 kW IEC250	75 kW IEC250
1	1	Motor ABB, 3000rpm	9614303013	9614303014	9614303015	9614303016	9614303017

3 ~, 50 Hz, 230VD400-415VY, - Standard ≤ 22 kW and 400-415VD/690VY Standard > 22 kW
 3 ~, 60 Hz, 440-460VY - Standard ≤ 22 kW and 440-460VD Standard > 22 kW

Pos	Qty	Denomination	LKH Evap 10-60 IEC90	LKH Evap 10-60 IEC100	LKH Evap 10-60 IEC112	LKH Evap 10-60 IEC132	LKH Evap 10-60 IEC160	LKH Evap 10-60 IEC180
2	1	Shroud	9612139001	9614192203	9612139003	9612139008	9612139005	9612139006
2a	1	Edge list (Included in pos. 2)						
3	4	Screw	9611993240	9611993240	9611993240	9611993240	9611993241	9611993243
5a	1	Compression ring with thread	9612133601	9612133602	9612133602	9612133605	9612133603	9612133604
5b	1	Compression ring without thread	9612133701	9612133702	9612133702	9612133705	9612133703	9612133704
6	6	Screw	9611993196	9611993196	9611993196	9611993197	9611993198	9611993198
6a	6	Washer	9611993199	9611993199	9611993199	9611993199	9611993199	9611993199
7	1	Shaft incl. pin, (pos.8)		9612132502	9612132502	9612132602	9612132702	9612132802
	1	Shaft incl. pin and retaining ring, (pos.8+9)	9612132402					
8	1	Connex pin	9611990622	9611990622	9611990622	9611990622	9611990622	9611990622
9	1	Retaining ring	9611992307					
16	1	Adaptor	9612342301	9612342401	9612342401	9612342501	9612342601	9612342601
17	4	Screw for adaptor	9611992161	9611991834	9611991834	9611992162	9611992163	9611992164
18	4	Nut for adaptor	9611990353	9611990587	9611990587	9611990587	9611992160	9611992160
19	4	Washer for adaptor	9611991887	9611990676	9611990676	9611990676	9611991886	9611991886
22	1	Safety guard set	9614077401	9614077402	9614077402	9614077403	9614077404	9614077404
23	1	Screw for safety guard	9611993239	9611993239	9611993239	9611993239	9611993239	9611993239
30a	1	Support bar, right	9612132201	9612132205	9612132205	9612132206	9612132203	9612132204
30b	1	Support bar, left	9612132301	9612132305	9612132305	9612132306	9612132303	9612132304
31	4	Leg	9612396701	9612396701	9612396701	9612396701	9612396701	9612396701
32	4	Screw	9611991126	9611991126	9611991126	9611991126	9611991126	9611991126
33	4	Nut	9611990360	9611990353	9611990353	9611990353	9611990587	9611990587
34	4	Spring washer	9611991888	9611991887	9611991887	9611991887	9611990676	9611990676
35	4	Screw	9611993241	9611991911	9611991911	9611991911	9611991834	9611991834
35a	4	Washer		9611990786	9611990786	9611990786	9611990706	9611990706
46	4	Distance sleeve		9611992737		9611992737	3143803902	3143803901
55	4	Nut		9611990587				

LKH Evap - Motor dependent parts

DMSS = Double Mechanical Shaft Seal. FSS = Flushed Shaft Seal

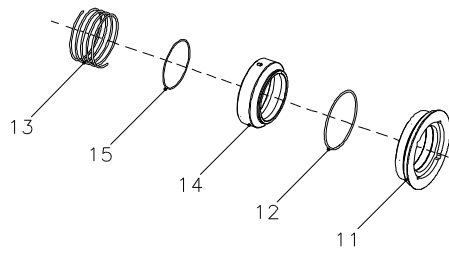


3006-0002

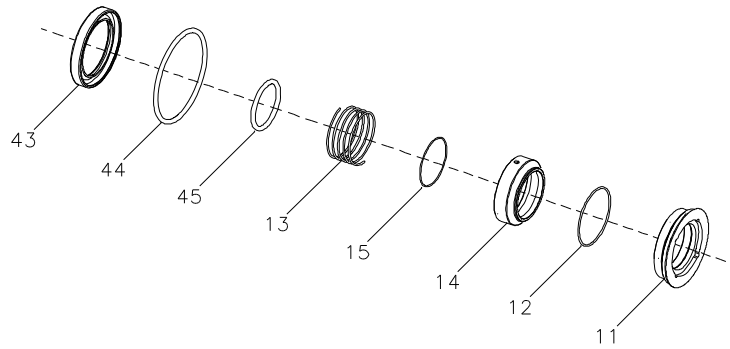
LKH Evap - Motor dependent parts

Pos	Qty	Denomination	LKH Evap	LKH Evap 70	LKH Evap 70	LKH Evap 70	LKH Evap 70	LKH Evap 70
			10-60 IEC200	IEC132 1500rpm	IEC160	IEC180	IEC200	IEC250
2	1	Shroud	9612593801	9612139008	9612139005	9612139006	9612593801	9612593804
2a	1	Edge list, (Included in pos. 2)						
3	4	Screw	9611993243	9611993240	9611993241	9611993243	9611993243	9611993243
5a	1	Compression ring with thread	9612133607	9612133605	9612133603	9612133604	9612133607	9612133608
5b	1	Compression ring without thread	9612133707	9612133705	9612133703	9612133704	9612133707	9612133708
6	6	Screw	9611993198	9611993197	9611993198	9611993198	9611993198	9611993266
6a	6	Washer	9611993199	9611993199	9611993199	9611993199	9611993199	9611993199
7	1	Shaft incl. pin, (pos.8)	9612232902		9612512603	9612512303	9612512203	9612501003
	1	Shaft incl. pin and retaining ring, (pos.8+9)		9612614703				
8	1	Connex pin	9611990622	9611990622	9611990622	9611990622	9611990622	9611990622
9	1	Retaining ring	9611993812					
16	1	Adaptor	9612342701	9612614601	9612511901	9612511901	9612511801	9612500801
17	4	Screw for adaptor	9611992164	9611992162	9611992163	9611992164	9611992164	9611992200
18	4	Nut for adaptor	9611992160	9611990587	9611992160	9611992160	9611992160	9611992160
19	4	Washer for adaptor	9611991886	9611990676	9611991886	9611991886	9611991886	9611991886
22	1	Safety guard set	9614077404	9614077406	9614077407	9614077407	9614077407	9614077408
23	1	Screw for safety guard	9611993239	9611993239	9611993239	9611993239	9611993239	9611993239
30a	1	Support bar, right	9612342201	9612132206	9612132203	9612132204	9612342201	
30b	1	Support bar, left	9612342201	9612132306	9612132303	9612132304	9612342201	
31	4	Leg	9612396701	9612396701	9612396701	9612396701	9612396701	
32	4	Screw	9611991907	9611991126	9611991126	9611991126	9611991907	
33	4	Nut	9611990587	9611990353	9611990587	9611990587	9611990587	9611990935
34	4	Spring washer	9611990676	9611991887	9611990676	9611990676	9611990676	9611993267
35	4	Screw	9611993680	9611991911	9611991834	9611991834	9611993680	9611993268
35a	4	Washer	9611990703	9611990786	9611990706	9611990706	9611990703	9611993269
46	4	Distance sleeve	3143803903	9611992737	3143803902	3143803901	3143803903	3143803901
47	2	Leg bracket						9612518401
48	4	Nut for leg						9611993260
49	4	Screw for leg						9612518501
53	4	Pivot screw	9611991763				9611991763	

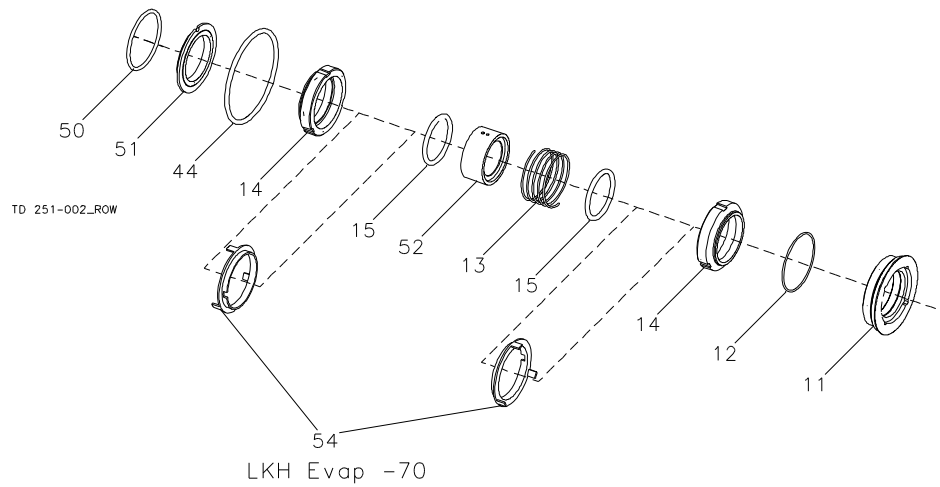
Single Shaft Seal



Flushed Shaft Seal



Double Mechanical Shaft Seal



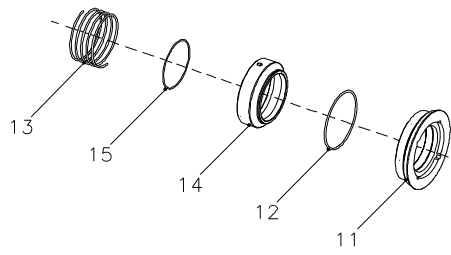
LKH Evap - Shaft seal and service kits

Pos	Qty	Denomination	LKH Evap	
			10-60	LKH Evap 70
Accessories				
	1	Tool complete	9612903601	9612903701
Parts for flushed shaft seal				
40	1	Seal housing	9612133901	9612514401
41	2	Screw for seal housing	9611990203	9611993232
42	2	Fittings	9911992323	9611992323
Parts for double mechanical shaft seal				
40a	1	Seal housing	9612133902	9612591401
41	2	Screw for seal housing	9611990203	9611993766
42	2	Fittings	9611992323	9611992323
Drive ring				
10	1	Drive ring, Single shaft seal steel	9614206001	9612514901
	1	Drive ring, Flushed shaft seal	9612139701	

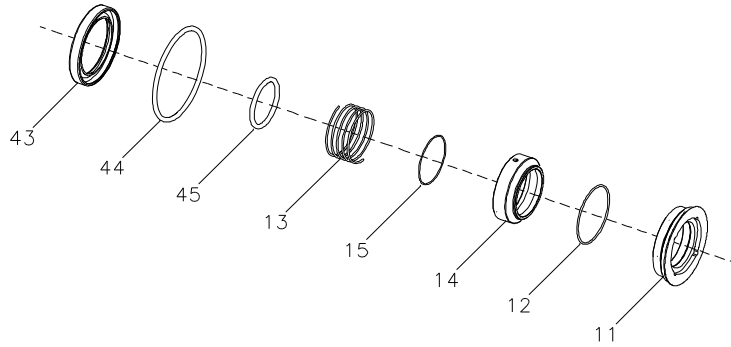
Shaft seals for LKH Evap 10-60

Pos	Qty	Denomination	Material			
			EPDM	NBR	FPM	FEP
Single shaft seal (Standard)						
	□	Complete shaft seal, C/SiC	9612129609	9612129610	9612129611	9612129612
11	1	Stationary seal ring, SiC				
12	1	O-ring				
13	1	Spring				
14	1	Rotating seal ring, carbon				
15	1	O-ring				
Alternatives for single shaft seal						
	*	Complete shaft seal, SiC/SiC	9612129605	9612129606	9612129607	9612129608
11	1	Stationary seal ring, SiC				
12	1	O-ring				
13	1	Spring				
14	1	Rotating seal ring, SiC				
15	1	O-ring				
Flushed shaft seal (Standard)						
	◆	Complete shaft seal, C/SiC	9612129625	9612129626	9612129627	9612129628
11	1	Stationary seal ring, SiC				
12	1	O-ring				
13	1	Spring				
14	1	Rotating seal ring, carbon				
15	1	O-ring				
43	1	Lip seal				
44	1	O-ring for seal housing, EPDM				
45	1	O-ring for drive ring				
Alternatives for flushed shaft seal						
	△	Complete shaft seal, SiC/SiC	9612129629	9612129630	9612129631	9612129632
11	1	Stationary seal ring, SiC				
12	1	O-ring				
13	1	Spring				
14	1	Rotating seal ring, SiC				
15	1	O-ring				
43	1	Lip seal				
44	1	O-ring for seal housing, EPDM				
45	1	O-ring for drive ring				
Double mechanical shaft seal (Standard)						
	○	Complete shaft seal, C/SiC	9612129613	9612129614	9612129615	9612129616
11	1	Stationary seal ring, SiC				
12	1	O-ring				
13	1	Spring				
14	2	Rotating seal ring, carbon				
15	2	O-ring				
44	1	O-ring for seal housing, EPDM				
50	1	O-ring, EPDM				
51	1	Sec. stationary seal ring				
52	1	Drive ring				

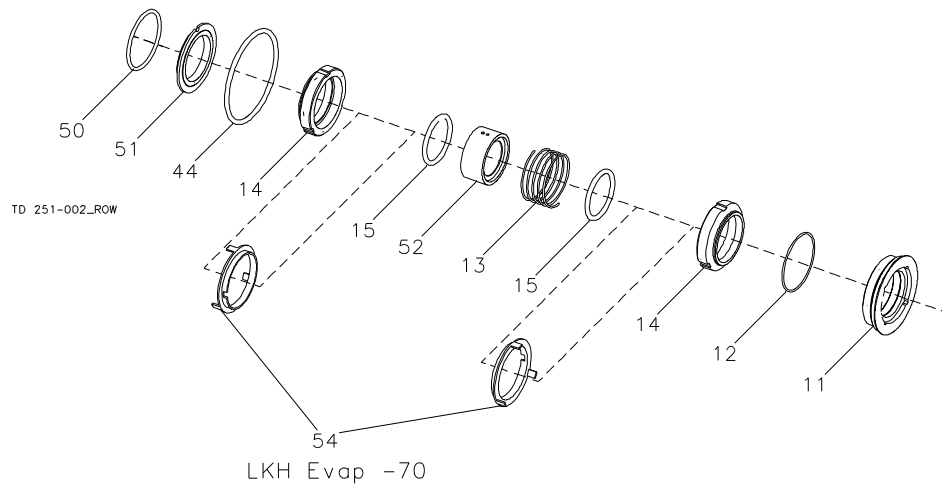
Single Shaft Seal



Flushed Shaft Seal



Double Mechanical Shaft Seal



LKH Evap - Shaft seal and service kits

Pos	Qty	Denomination	EPDM	NBR	FPM	FEP
Alternatives for double mechanical shaft seal						
▲		Complete shaft seal, SiC/SiC	9612129617	9612129618	9612129619	9612129620
11	1	Stationary seal ring, SiC				
12	1	O-ring				
13	1	Spring				
14	2	Rotating seal ring, SiC				
15	2	O-ring				
44	1	O-ring for seal housing, EPDM				
50	1	O-ring, EPDM				
51	1	Sec. stationary seal ring				
52	1	Drive ring				

Shaft seals for LKH Evap 70

Pos	Qty	Denomination	EPDM	NBR	FPM	FEP
Single shaft seal (Standard)						
□		Complete shaft seal, C/SiC	9612515101	9612515102	9612515103	9612515104
11	1	Stationary seal ring, SiC				
12	1	O-ring				
13	1	Spring				
14	1	Rotating seal ring, carbon				
15	1	O-ring				
Alternatives for single shaft seal						
*		Complete shaft seal, SiC/SiC	9612515105	9612515106	9612515107	9612515108
11	1	Stationary seal ring, SiC				
12	1	O-ring				
13	1	Spring				
14	1	Rotating seal ring, SiC				
15	1	O-ring				
Flushed shaft seal (Standard)						
◆		Complete shaft seal, C/SiC	9612515109	9612515110	9612515111	9612515112
11	1	Stationary seal ring, SiC				
12	1	O-ring				
13	1	Spring				
14	1	Rotating seal ring, carbon				
15	1	O-ring				
43	1	Lip seal				
44	1	O-ring for seal housing, EPDM				
45	1	O-ring for drive ring				
Alternatives for flushed shaft seal						
△		Complete shaft seal, SiC/SiC	9612515113	9612515114	9612515115	9612515116
11	1	Stationary seal ring, SiC				
12	1	O-ring				
13	1	Spring				
14	1	Rotating seal ring, SiC				
15	1	O-ring				
43	1	Lip seal				
44	1	O-ring for seal housing, EPDM				
45	1	O-ring for drive ring				
Double mechanical shaft seal (Standard)						
○		Complete shaft seal, C/SiC	9612515117	9612515118	9612515119	9612515120
11	1	Stationary seal ring, SiC				
12	1	O-ring				
13	1	Spring				
14	2	Rotating seal ring, (Double mechanical shaft seal) carbon				
15	2	O-ring, (Double mechanical shaft seal)				
44	1	O-ring for seal housing, EPDM				
50	1	O-ring, EPDM				
51	1	Sec. stationary seal ring				
52	1	Drive ring				
54	2	Cup				
Alternatives for double mechanical shaft seal						
▲		Complete shaft seal, SiC/SiC	9612515121	9612515122	9612515123	9612515124
11	1	Stationary seal ring, SiC				
12	1	O-ring				
13	1	Spring				
14	2	Rotating seal ring, SiC				
15	2	O-ring				
44	1	O-ring for seal housing, EPDM				
50	1	O-ring, EPDM				
51	1	Sec. stationary seal ring				
52	1	Drive ring				
54	2	Cup				

LKH Evap - Shaft seal and service kits

		EPDM	NBR	FPM	FEP
Service kit for single shaft seal C/SiC					
◆	Service kit, C/SiC (LKH Evap-10/15)	9611922114	9611922115	9611922116	9611922117
◆	Service kit, C/SiC (LKH Evap-20)	9611922122	9611922123	9611922124	9611922125
◆	Service kit, C/SiC (LKH Evap-25/35/45)	9611922182	9611922183	9611922184	9611922185
◆	Service kit, C/SiC (LKH Evap-40/50/60)	9611922130	9611922131	9611922132	9611922133
◆	Service kit, C/SiC (LKH Evap-70)	9611922238	9611922239	9611922240	9611922241
Service kit for single shaft seal SiC/SiC					
◇	Service kit, SiC/SiC (LKH Evap-10/15)	9611922550	9611922551	9611922552	9611922553
◇	Service kit, SiC/SiC (LKH Evap-20)	9611922574	9611922575	9611922576	9611922577
◇	Service kit, SiC/SiC (LKH Evap-25/35/45)	9611922598	9611922599	9611922600	9611922601
◇	Service kit, SiC/SiC (LKH Evap-40/50/60)	9611922623	9611922624	9611922625	9611922626
◇	Service kit, SiC/SiC (LKH Evap-70)	9611922643	9611922644	9611922645	9611922646
Service kit for flushed shaft seal C/SiC					
*	Service kit, C/SiC (LKH Evap-10/15)	9611922118	9611922119	9611922120	9611922121
*	Service kit, C/SiC (LKH Evap-20)	9611922126	9611922127	9611922128	9611922129
*	Service kit, C/SiC (LKH Evap-25/35/45)	9611922190	9611922191	9611922192	9611922193
*	Service kit, C/SiC (LKH Evap-40/50/60)	9611922134	9611922135	9611922136	9611922137
*	Service kit, C/SiC (LKH Evap-70)	9611922242	9611922243	9611922244	9611922245
Service kit for flushed shaft seal SiC/SiC					
⊙	Service kit, SiC/SiC (LKH Evap-10/15)	9611922558	9611922559	9611922560	9611922561
⊙	Service kit, SiC/SiC (LKH Evap-20)	9611922582	9611922583	9611922584	9611922585
⊙	Service kit, SiC/SiC (LKH Evap-25/35/45)	9611922606	9611922607	9611922608	9611922609
⊙	Service kit, SiC/SiC (LKH Evap-40/50/60)	9611922631	9611922632	9611922633	9611922634
⊙	Service kit, SiC/SiC (LKH Evap-70)	9611922647	9611922648	9611922649	9611922650
Service kit for double mechanical shaft seal C/SiC					
△	Service kit, C/SiC (LKH Evap-10/15)	9611922210	9611922211	9611922212	9611922213
△	Service kit, C/SiC (LKH Evap-20)	9611922218	9611922219	9611922220	9611922221
△	Service kit, C/SiC (LKH Evap-25/35/45)	9611922226	9611922227	9611922228	9611922229
△	Service kit, C/SiC (LKH Evap-40/50/60)	9611922234	9611922235	9611922236	9611922237
△	Service kit, C/SiC (LKH Evap-70)	9611922416	9611922417	9611922418	9611922419
Service kit for double mechanical shaft seal SiC/SiC					
●	Service kit, SiC/SiC (LKH Evap-10/15)	9611922566	9611922567	9611922568	9611922569
●	Service kit, SiC/SiC (LKH Evap-20)	9611922590	9611922591	9611922592	9611922593
●	Service kit, SiC/SiC (LKH Evap-25/35/45)	9611922614	9611922615	9611922616	9611922617
●	Service kit, SiC/SiC (LKH Evap-40/50/60)	9611922639	9611922640	9611922641	9611922642
●	Service kit, SiC/SiC (LKH Evap-70)	9611922651	9611922652	9611922653	9611922654

Parts marked with □◆⊙★△▲ are included in the service kits.

Recommended spare parts: Service kits.

Conversion single to flushed shaft seal : Please order flushed service kit + pos. 40 + 41 + 42 (LKH Evap10-60 + pos. 10)

Conversion single or Flushed to double mechanical shaft seal : Please order Double mechanical service kit + pos. 40a + 41 + 42

(900589/8)

How to contact Alfa Laval

Contact details for all countries are continually updated on our website.

Please visit www.alfalaval.com to access the information directly.

© Alfa Laval Corporate AB

This document and its contents is owned by Alfa Laval Corporate AB and protected by laws governing intellectual property and thereto related rights. It is the responsibility of the user of this document to comply with all applicable intellectual property laws. Without limiting any rights related to this document, no part of this document may be copied, reproduced or transmitted in any form or by any means (electronic, mechanical, photocopying, recording, or otherwise), or for any purpose, without the expressed permission of Alfa Laval Corporate AB. Alfa Laval Corporate AB will enforce its rights related to this document to the fullest extent of the law, including the seeking of criminal prosecution.