

1.4 Butterfly valves

Alfa Laval Butterfly Valves are economical on/off routing valves, available for either automatic or manually operated systems. Due to their large opening areas, these stainless steel valves offer low flow resistance and provide gentle treatment of low and medium viscosity products.



Spare parts

LKB Butterfly Valve, ISO	1.4.46
LKB-2 Butterfly Valve, DIN	1.4.48
LKB-F Butterfly Valve, ISO	1.4.50
LKB-F Butterfly Valve, DIN	1.4.52
LKB UltraPure Butterfly Valve, ISO	1.4.54
LKB UltraPure Butterfly Valve, DIN	1.4.56
LKB UltraPure Butterfly Valve, ASME	1.4.58
i-BFV Butterfly Valve, ISO	1.4.60
i-BFV Butterfly Valve, DIN	1.4.62
i-BFV, handle	1.4.64
Lockable multiposition handle for valve	1.4.66
Handle 1.1 for butterfly valve	1.4.68
Handle 1.1 for indication unit	1.4.70
LKB Butterfly Valve handle G	1.4.72
LKLA actuator, air/spring (NC-NO), $\varnothing 85$	1.4.74
LKLA actuator air/air $\varnothing 85$	1.4.76
LKLA actuator, air/air, DN125-150 $\varnothing 85$	1.4.78
LKLA actuator, air/spring (NC-NO), $\varnothing 133$	1.4.80
LKLA actuator, air/air, $\varnothing 133$	1.4.82
LKLA-T actuator, air/spring (NC-NO), $\varnothing 85$	1.4.84
LKLA-T actuator, air/air, $\varnothing 85$	1.4.86
LKB53-6XXXT Actuator for Green Top (US)	1.4.88
LKLA-T actuator, air/air, DN125-150 $\varnothing 85$	1.4.90
LKLA-T actuator, air/spring (NC-NO), $\varnothing 133$	1.4.92
LKLA-T actuator, air/air, $\varnothing 133$	1.4.94
Unique Control for butterfly valves	1.4.96

This page is intentionally left blank

1.4 Butterfly valves

Alfa Laval Butterfly Valves are economical on/off routing valves, available for either automatic or manually operated systems. Due to their large opening areas, these stainless steel valves offer low flow resistance and provide gentle treatment of low and medium viscosity products.

Service tools

Unique Control, tool for butterfly valves 1.4.98

Spare parts for obsolete products

LKB Butterfly Valve, ISO (period 7600-8910) 1.4.100

LKB-2 Butterfly Valve, DIN (period 8901-9212) 1.4.102

LKB Low Pressure Butterfly Valve 1.4.104

LKBC-2 Butterfly Valve 1.4.106

LKB-C Farm Valve 1.4.108

LKB, handle 1 1.4.110

LKB, handle NW 150 1.4.112

LKB, handle 2 1.4.114

LKB, air actuator, air/spring, type D80 1.4.116

LKB, air actuator, air/spring, type D96 1.4.118

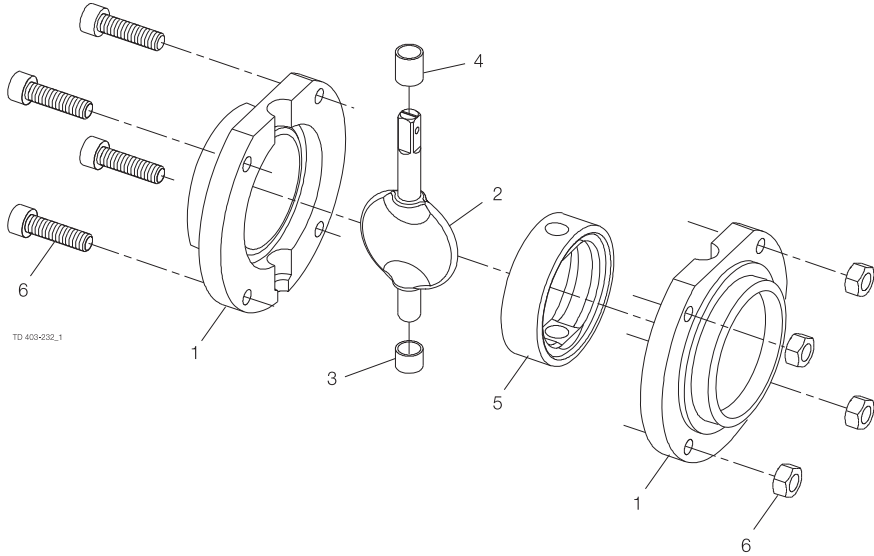
LKB, air actuator, air/air, type D80 1.4.120

LKB, air actuator, air/air, type D96 1.4.122

CBFV Clamp Butterfly Valve, ISO 1.4.124

CBFV Clamp Butterfly Valve, DIN 1.4.126

1.4



Pos	Qty	Denomination	25 mm	38 mm	51 mm
			Disc □ 8	Disc □ 8	Disc □ 8
1	2	Valve body half, (AISI 304L)	9611443650	9611443220	9611443230
	2	Valve body half, (AISI 316L)	9611443651	9611443221	9611443231
2	1	Disc, (AISI 304)	9611413680	9611411690	9611411770
	1	Disc, (AISI 316L)	9611413681	9611411691	9611411771
	1	Disc, 12 (AISI 304)			
	1	Disc, 12 (AISI 316L)			
3	□	1 Bush	9611411810	9611411730	9611411810
4	□	1 Bush	9611413760	9611411730	9611411810
5	□	1 Seal ring, (EPDM)	9611414130	9611414090	9611414100
	1	Seal ring, (Silicone Q)	9611413720	9611411740	9611411820
	1	Seal ring, (Viton FPM)	9611414133	9611414093	9611414103
	1	Seal ring, (HNBR)	9611414134	9611414094	9611414104
	1	Seal ring, (PFA)		9611923202 ¹⁾	9612900601
	1	Set of screws, M6 + Nut M6	9611417340	9611417340	
6	1	Set of screws, M8 + Nut M8			9611417350

Pos	Qty	Denomination	63.5 mm	76 mm	101.6 mm	101.6 mm
			Disc □ 8	Disc □ 10	Disc □ 10	Disc □ 12
1	2	Valve body half, (AISI 304L)	9611443240	9611443070	9611413250	9611413250
	2	Valve body half, (AISI 316L)	9611443241	9611443071	9611413251	9611413251
2	1	Disc, (AISI 304)	9611411850	9611411930		
	1	Disc, (AISI 316L)	9611411851	9611411931		
	1	Disc, 12 (AISI 304)				9612046301
	1	Disc, 12 (AISI 316L)				9612046302
3	□	1 Bush	9611411890	9611411970	9611412060	9611412060
4	□	1 Bush	9611411890	9611411970	9611412050	9611412050
5	□	1 Seal ring, (EPDM)	9611414110	9611414060	9611414120	9611414120
	1	Seal ring, (Silicone Q)	9611411900	9611411980	9611412070	9611412070
	1	Seal ring, (Viton FPM)	9611414113	9611414063	9611414123	9611414123
	1	Seal ring, (HNBR)	9611414114	9611414064	9611414124	9611414124
	1	Seal ring, (PFA)	9612900701	9612900801	9612900901	9612900901
	1	Set of screws, M8 + Nut M8	9611417350	9611417360		
6	1	Set of screws, M10 + Nut M10			9611417370	9611417370

			25 mm	38 mm	51 mm	63.5 mm
			DN25	DN40	DN50	DN65
			Disc □ 8	Disc □ 8	Disc □ 8	Disc □ 8

Service kits for product wetted parts

□	Service kit EPDM	9611923028	9611923029	9611923030	9611923031
□	Service kit Q	9611923034	9611923035	9611923036	9611923037
□	Service kit FPM	9611923040	9611923041	9611923042	9611923043
□	Service kit HNBR	9611923160	9611923161	9611923162	9611923163
□	Service kit PFA		9611923183	9611923184	9611923185

			76mm	101.6mm	101.6mm	
			DN80	DN80	DN100	DN100
			Disc □ 10	Disc □ 10	Disc □ 10	Disc □ 15

Service kits for product wetted parts

□	Service kit EPDM	9611923032	9611923051	9611923033	9611923033	9611923046
□	Service kit Q	9611923038		9611923039	9611923039	9611923047
□	Service kit FPM	9611923044		9611923045	9611923045	9611923048
□	Service kit HNBR	9611923164		9611923165	9611923165	9611923197
□	Service kit PFA	9611923186		9611923187	9611923187	

NB: * Disc connection □ 10 for 101.6 mm and DN100 is no longer available. Please rebuild the air actuator or/and handle to: disc connection □ 12

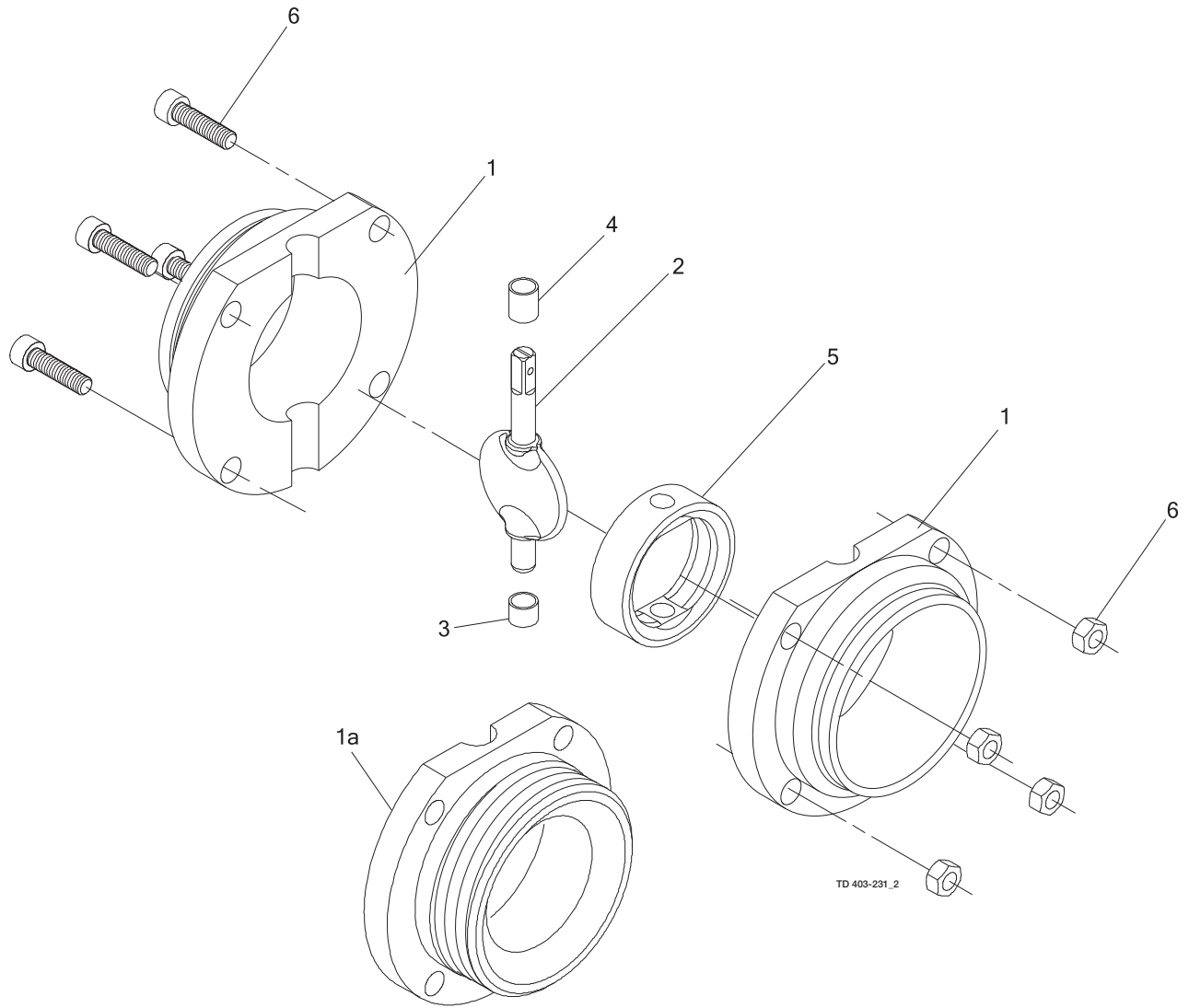
¹⁾ Seal ring is delivered assembled with disc.

Reg. 2.14.1 9805 / Intro. 8001

NOTE!!

Lubricate the pin holes in the seal (5) with Klüber Paraliq GTE 703 or similar. Very important for Q and FPM.

Parts marked with □ are included in the service kits. Recommended spare parts: Service kits.



For valves with bushes (Period 9301-)

Pos	Qty	Denomination	DN 25	DN 32	DN 40	DN 50
			Disc □ 8	Disc □ 8	Disc □ 8	Disc □ 8
1	2	Valve body half, welding (AISI 304L)	9612323601	9612323701	9612323801	9612323901
	2	Valve body half, welding (AISI 316 L)	9612323602	9612323702	9612323802	9612323902
1a	2	Valve body half, male part (AISI 304L)	9612324301	9612324401	9612324501	9612324601
	2	Valve body half, male part (AISI 316 L)	9612324302	9612324402	9612324502	9612324602
2	1	Disc, (AISI 304)	9612073605	9612073705	9612073805	9612073905
	1	Disc, (AISI 316L)	9612073604	9612073704	9612073804	9612073904
3	□	Bush	9611411810	9611411810	9611411810	9611411890
4	□	Bush	9611411810	9611411810	9611411810	9611411890
5	□	1 Seal ring, (EPDM)	9612070001	9612070101	9612070201	9612070301
	□	1 Seal ring, (Silicone Q)	9612070901	9612071001	9612071101	9612071201
	□	1 Seal ring, (FPM)	9612071801	9612071901	9612072001	9612072101
	□	1 Seal ring, (HNBR)	9612070002	9612070102	9612070202	9612070302
	□	1 Seal ring, (PFA)			9611923203 ¹⁾	9612901101
6	1	Set screw, M6 + Nut M6	9611417340	9611417340	9611417340	
	1	Set screw, M8 + Nut M8				9611417350

Pos	Qty	Denomination	DN 65	DN 80	DN 100	DN 125
			Disc □ 10	Disc □ 10	Disc □ 12	Disc □ 14
1	2	Valve body half, welding (AISI 304L)	9612324001	9612324101	9612324201	9612077401
	2	Valve body half, welding (AISI 316 L)	9612324002	9612324102	9612324202	9612077402
1a	2	Valve body half, male part (AISI 304L)	9612324701	9612324801	9612324901	9612077201
	2	Valve body half, male part (AISI 316 L)	9612324702	9612324802	9612324902	9612077202
2	1	Disc, (AISI 304)	9612074005	9612074105	9612074205	9612076905
	1	Disc, (AISI 316L)	9612074004	9612074104	9612074204	9612076904
3	□	Bush	9611411890	9611411890	9611411970	9612078501
4	□	Bush	9611411890	9611411890	9611411970	9612078501
5	□	1 Seal ring, (EPDM)	9612070401	9612070501	9612070601	9612077101
	□	1 Seal ring, (Silicone Q)	9612071301	9612071401	9612071501	9612078301
	□	1 Seal ring, (FPM)	9612072201	9612072301	9612072401	9612078401
	□	1 Seal ring, (HNBR)	9612070402	9612070502	9612070602	9612077102
	□	1 Seal ring, (PFA)	9612901201	9612901301	9612901401	
6	1	Set screw, M8 + Nut M8	9611417360	9611417360		
	1	Set screw, M10 + Nut M10			9611417370	
	1	Set screw, M10 + Nut M10 (6pcs)				9611417770

DN25	DN32	DN40	DN50
Disc □ 8	Disc □ 8	Disc □ 8	Disc □ 8

Service kits for product wetted parts

□	Service kit, EPDM	9611923075	9611923076	9611923077	9611923078
□	Service kit, Q	9611923083	9611923084	9611923085	9611923086
□	Service kit, FPM	9611923091	9611923092	9611923093	9611923094
□	Service kit, HNBR	9611923210	9611923211	9611923212	9611923213
□	Service kit, PFA			9611923191	9611923192

DN65	DN80	DN100	DN125
Disc □ 10	Disc □ 10	Disc □ 12	Disc □ 14

Service kits for product wetted parts

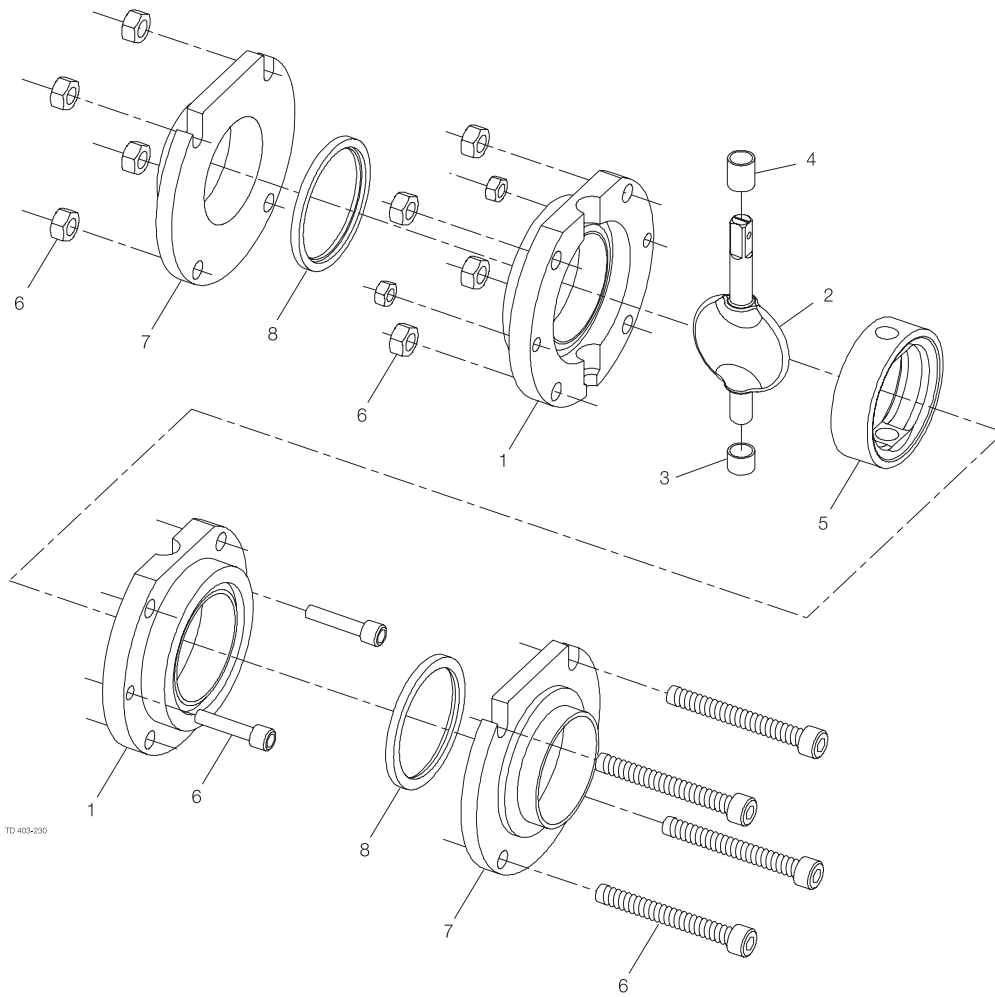
□	Service kit, EPDM	9611923079	9611923080	9611923081	9611923082
□	Service kit, Q	9611923087	9611923088	9611923089	9611923090
□	Service kit, FPM	9611923095	9611923096	9611923097	9611923098
□	Service kit, HNBR	9611923214	9611923215	9611923216	9611923217
□	Service kit, PFA	9611923193	9611923194	9611923195	

NB: ¹⁾ Seal ring is delivered assembled with disc.

NOTE!!

Lubricate the pin holes in the seal (5) with Klüber Paraliq GTE 703 or similar. Very important for Q and FPM.

Parts marked with □ are included in the service kits. Recommended spare parts: Service kits.



LKB-F ISO

Pos	Qty	Denomination	25 mm	38 mm	51 mm	63.5 mm	76 mm	101.6 mm
			Disc □ 8	Disc □ 8	Disc □ 8	Disc □ 8	Disc □ 10	Disc □ 12
1	2	Valve body half, welding , (AISI 316 L)	9612402410	9612402411	9612402412	9612402413	9612402414	9612402415
	2	Valve body half, welding , (AISI 304)	9612402410	9612402411	9612402412	9612402413	9612402414	9612402415
2	1	Disc, (AISI 304)	9611413680	9611411690	9611411770	9611411850	9611411930	9612046301
	1	Disc, (AISI 316L)	9611413681	9611411691	9611411771	9611411851	9611411931	9612046302
3	□ 1	Bush	9611411810	9611411730	9611411810	9611411890	9611411970	9611412060
4	□ 1	Bush	9611413760	9611411730	9611411810	9611411890	9611411970	9611412050
5	□ 1	Seal ring, (EPDM)	9611414130	9611414090	9611414100	9611414110	9611414060	9611414120
	1	Seal ring, (Silicone Q)	9611413720	9611411740	9611411820	9611411900	9611411980	9611412070
	1	Seal ring, (FPM)	9611414133	9611414093	9611414103	9611414113	9611414063	9611414123
	1	Seal ring, (HNBR)	9611414134	9611414094	9611414104	9611414114	9611414064	9611414124
	1	Seal ring, (PFA on EPDM)		96119232021	9612900601	9612900701	9612900801	9612900901
6	1	Set of screws and nuts	9612400101	9612400101				
	1	Set of screws and nuts			9612400102	9612400102		
	1	Set of screws and nuts					9612400103	
	1	Set of screws and nuts						9612400104
7	2	Flange, (AISI 316L)	9612402510	9612402511	9612402512	9612402513	9612402514	9612402515
	2	Flange, (AISI 304)	9612402510	9612402511	9612402512	9612402513	9612402514	9612402515
8	□ 2	Seal ring, (EPDM)	9612402631	9612402632	9612402633	9612402634	9612402635	9612402636
	2	Seal ring, (Silicone Q)	9612402641	9612402642	9612402643	9612402644	9612402645	9612402646
	2	Seal ring, (FPM)	9612402651	9612402652	9612402653	9612402654	9612402655	9612402656
	2	Seal ring, (HNBR)	9612402661	9612402662	9612402663	9612402664	9612402665	9612402666

Service kits for product wetted parts

□	Service kit, EPDM	9611923058	9611923059	9611923060	9611923061	9611923062	9611923063
□	Service kit, Silicone (Q)	9611923064	9611923065	9611923066	9611923067	9611923068	9611923069
□	Service kit, FPM	9611923070	9611923071	9611923072	9611923073	9611923074	9611923099
□	Service kit, HNBR	9611923310	9611923311	9611923312	9611923313	9611923314	9611923315

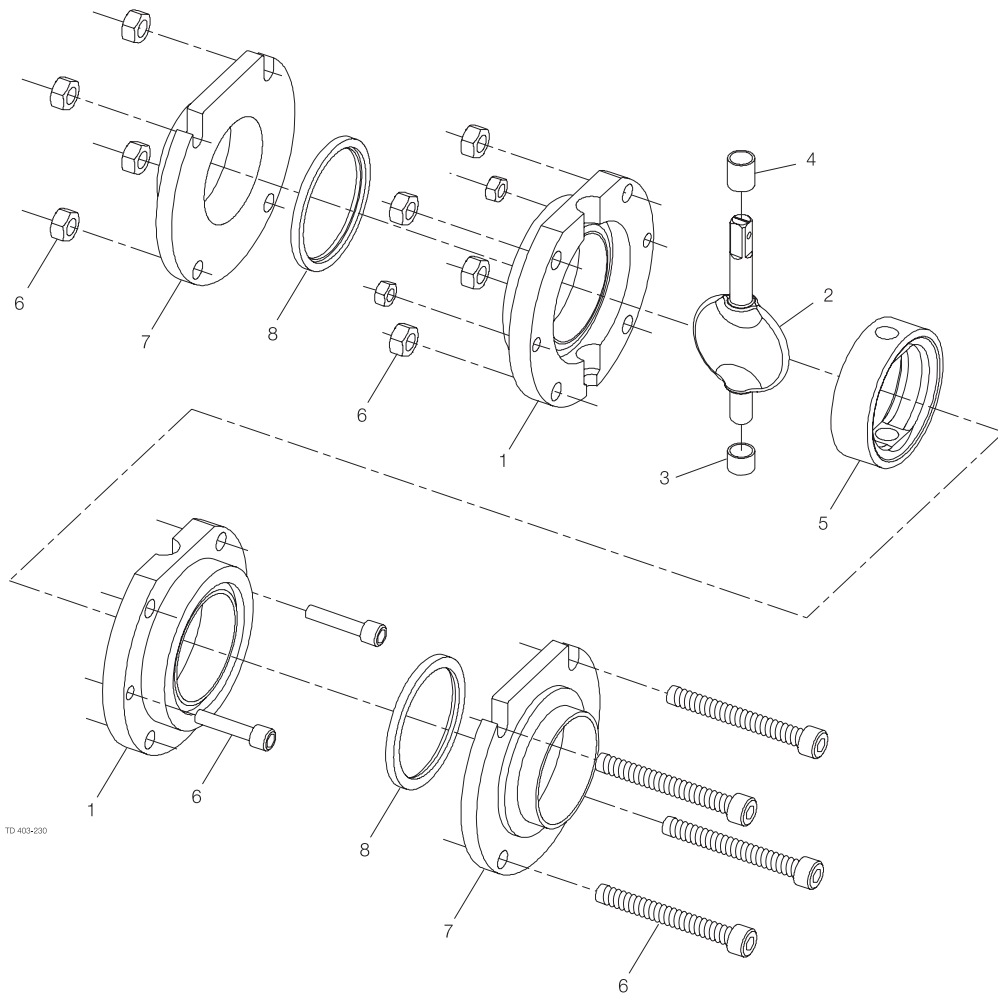
Parts marked with □ are included in the service kits.

Recommended spare parts: Service kits.

NB:

* Disc connection □ 10 for 101.6 mm and DN 100 is no longer available. Please rebuild the air-actuator or/and handle to: disc connection □ 12

1) Seal ring is delivered assembled with disc.



LKB-F DIN

Pos	Qty	Denomination	DN 25	DN 32	DN 40	DN 50
			Disc □ 8	Disc □ 8	Disc □ 8	Disc □ 8
1	2	Valve body half, welding (AISI 316 L)	9612402401	9612402402	9612402403	9612402404
	2	Valve body half, welding (AISI 304)	9612402416	9612402417	9612402418	9612402419
2	1	Disc, (AISI 316L)	9612073604	9612073704	9612073804	9612073904
3 □	1	Bush	9611411810	9611411810	9611411810	9611411890
4 □	1	Bush	9611411810	9611411810	9611411810	9611411890
5 □	1	Seal ring, (EPDM)	9612070001	9612070101	9612070201	9612070301
	1	Seal ring, (Silicone Q)	9612070901	9612071001	9612071101	9612071201
	1	Seal ring, (FPM)	9612071801	9612071901	9612072001	9612072101
	1	Seal ring, (PFA on EPDM)			9612923203 ¹⁾	9612901101
6	1	Set of screws and nuts	9612400101	9612400101	9612400101	
	1	Set of screws and nuts				9612400102
7	2	Flange, (AISI 316L)	9612402501	9612402502	9612402503	9612402504
	2	Flange, (AISI 304)	9612402516	9612402517	9612402518	9612402519
8 □	2	Seal ring, (EPDM)	9612402601	9612402602	9612402603	9612402604
	2	Seal ring, (Silicone, Q)	9612402611	9612402612	9612402613	9612402614
	2	Seal ring, (FPM)	9612402621	9612402622	9612402623	9612402624

Pos	Qty	Denomination	DN 65	DN 80	DN 100	DN 125	DN150
			Disc □ 10	Disc □ 10	Disc □ 12	Disc □ 14	Disc □ 15
1	2	Valve body half, welding (AISI 316 L)	9612402405	9612402406	9612402407	9612402408	9612402409
	2	Valve body half, welding (AISI 304)	9612402420	9612402421	9612402422	9612402423	9612402424
2	1	Disc, (AISI 316L)	9612074004	9612074104	9612074204	9612076904	9611413701
3 □	1	Bush	9611411890	9611411890	9611411970	9612078501	9611413790
4 □	1	Bush	9611411890	9611411890	9611411970	9612078501	9611413790
5 □	1	Seal ring, (EPDM)	9612070401	9612070501	9612070601	9612077101	9611414150
	1	Seal ring, (Silicone Q)	9612071301	9612071401	9612071501	9612078301	9611413740
	1	Seal ring, (FPM)	9612072201	9612072301	9612072401	9612078401	9611414153
	1	Seal ring, (PFA on EPDM)	9612901201	9612901301	9612901401		
6	1	Set of screws and nuts	9612400103	9612400103			
	1	Set of screws and nuts			9612400104		
	1	Set of screws and nuts				9612400105	
	1	Set of screws and nuts					9612400106
7	2	Flange, (AISI 316L)	9612402505	9612402506	9612402507	9612402508	9612402509
	2	Flange, (AISI 304)	9612402520	9612402521	9612402522	9612402523	9612402524
8 □	2	Seal ring, (EPDM)	9612402605	9612402606	9612402607	9612402608	9612402609
	2	Seal ring, (Silicone, Q)	9612402615	9612402616	9612402617	9612402618	9612402619
	2	Seal ring, (FPM)	9612402625	9612402626	9612402627	9612402628	9612402629

Pos	Qty	Denomination	DN 25	DN 32	DN 40	DN 50
			Disc □ 8	Disc □ 8	Disc □ 8	Disc □ 8

Service kits for product wetted parts

□	Service kit, EPDM	9611923100	9611923101	9611923102	9611923103
□	Service kit, Silicone (Q)	9611923109	9611923110	9611923111	9611923112
□	Service kit, FPM	9611923118	9611923119	9611923120	9611923121

Pos	Qty	Denomination	DN 65	DN 80	DN 100	DN 125	DN 150
			Disc □ 10	Disc □ 10	Disc □ 12	Disc □ 14	Disc □ 15
□	Service kit, EPDM	9611923104	9611923105	9611923106	9611923107	9611923108	
□	Service kit, Silicone (Q)	9611923113	9611923114	9611923115	9611923116	9611923117	
□	Service kit, FPM	9611923122	9611923123	9611923124	9611923125	9611923126	

Parts marked with □ are included in the service kits.

Recommended spare parts: Service kits.

¹⁾ Seal ring is delivered assembled with disc.

Pos	Qty	Denomination	25 mm	38 mm	51 mm	63.5 mm	76.1 mm	101.6 mm
			Disc □ 8	Disc □ 8	Disc □ 8	Disc □ 8	Disc □ 10	Disc □ 12
1	2	Valve body half, welding ends						
1a	2	Valve body half, clamp ferrule						
2	1	Disc	9614058101	9614058102	9614058103	9614058104	9614058105	9614058106
3 ▲	1	Bush						
4 ▲	1	Bush						
5 ▲	1	Seal ring, EPDM						
▲	1	Seal ring, FPM						
▲	1	Seal ring, HNBR						
▲	1	Seal ring, Silicone Q						
▲	1	Seal ring, PFA						
6	1	Set screw + nut, M6	9611417340	9611417340				
	1	Set screw + nut, M8			9611417350	9611417350	9611417360	
	1	Set screw + nut, M10						9611417370
▲		Alfa Laval Q-doc service kit						

Service Kits

		25 mm	38 mm	51 mm	63.5 mm	76.1 mm	101.6 mm
		Disc □ 8	Disc □ 8	Disc □ 8	Disc □ 8	Disc □ 10	Disc □ 12
▲	Service kit, EPDM	9611923284	9611923285	9611923286	9611923287	9611923288	9611923289
▲	Service kit, FPM	9611923297	9611923298	9611923299	9611923300	9611923301	9611923302
▲	Service kit, HNBR	9611923346	9611923347	9611923348	9611923349	9611923350	9611923351
▲	Service kit, Q (silicone)	9611923352	9611923353	9611923354	9611923355	9611923356	9611923357
▲	Service kit, PFA		9611923358	9611923359	9611923360	9611923361	9611923362

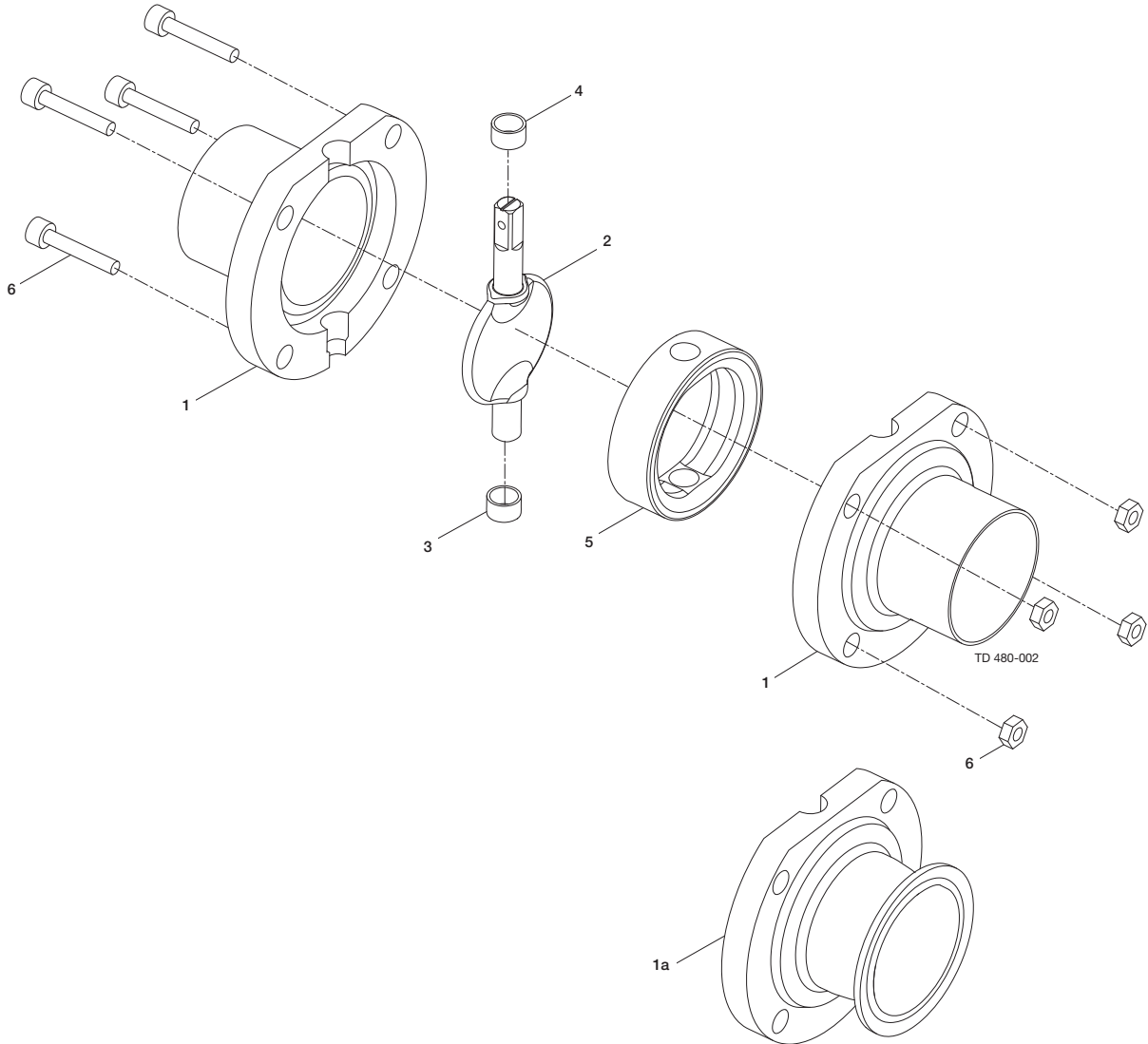
Parts marked with ▲ are included in the service kit.

Recommended spare parts: Service kit.

NOTE!!

Lubricate the pin holes in the seal (5) with Klüber Paraliq GTE 703 or similar.

Very important for Q and FPM.



Pos	Qty	Denomination	DN 25	DN 32	DN 40	DN 50
			Disc □ 8	Disc □ 8	Disc □ 8	Disc □ 8
1	2	Valve body half, welding ends				
1a	2	Valve body half, clamp ferrule				
2	1	Disc	9614058113	9614058114	9614058115	9614058116
3 ▲	1	Bush				
4 ▲	1	Bush				
5 ▲	1	Seal ring, EPDM				
▲	1	Seal ring, FPM				
▲	1	Seal ring, HNBR				
▲	1	Seal ring, Silicone Q				
▲	1	Seal ring, PFA				
6	1	Set screw + nut, M6	9611417340	9611417340	9611417340	
	1	Set screw + nut, M8				9611417350
	1	Alfa Laval Q-doc service kit				

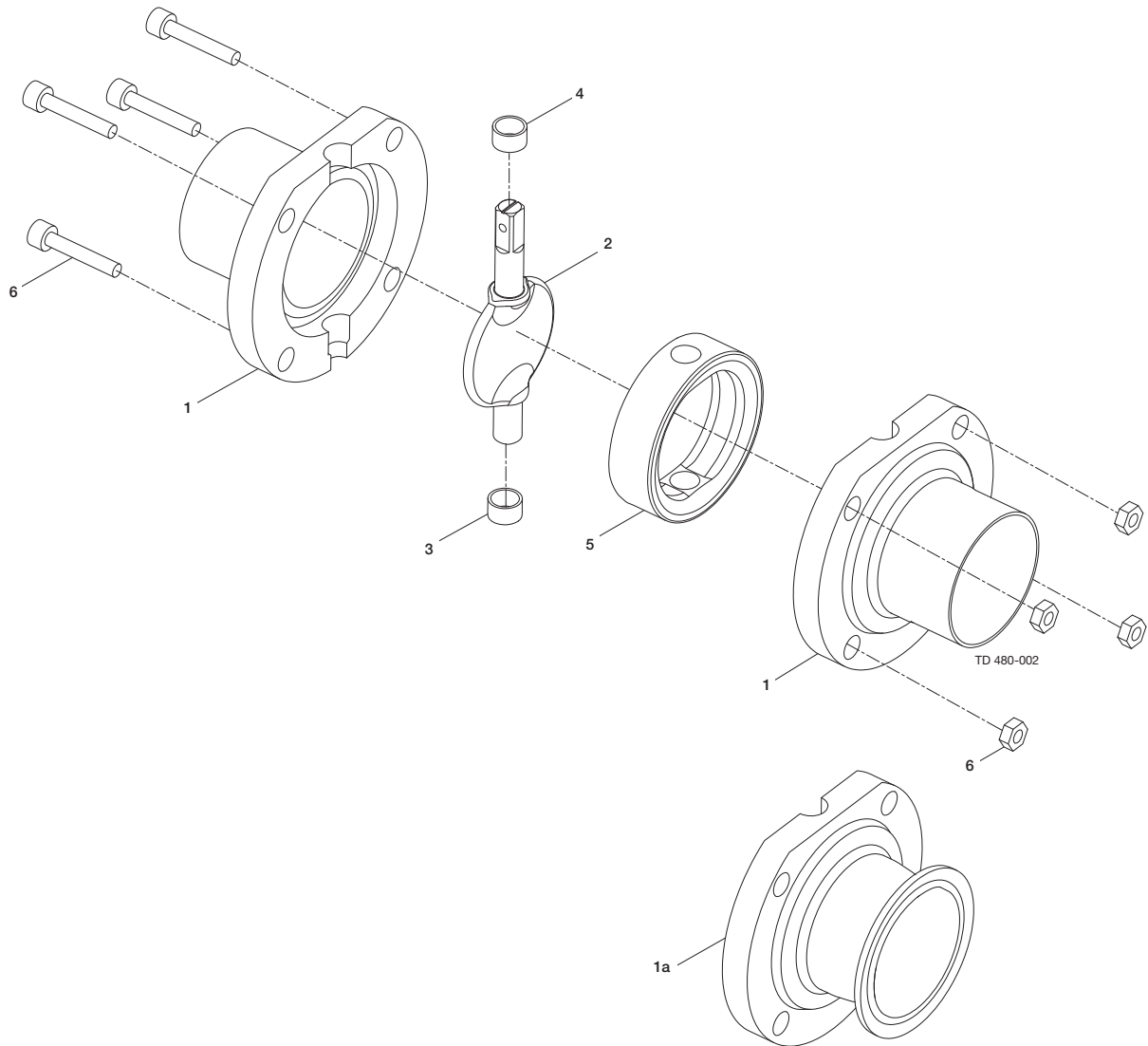
Pos	Qty	Denomination	DN 65	DN 80	DN 100
			Disc □ 10	Disc □ 10	Disc □ 12
1	2	Valve body half, welding ends			
1a	2	Valve body half, clamp ferrule			
2	1	Disc	9614058117	9614058118	9614058119
3 ▲	1	Bush			
4 ▲	1	Bush			
5 ▲	1	Seal ring, EPDM			
▲	1	Seal ring, FPM			
▲	1	Seal ring, HNBR			
▲	1	Seal ring, Silicone Q			
▲	1	Seal ring, PFA			
6	1	Set screw + nut, M8	9611417360	9611417360	
	1	Set screw + nut, M10			9611417370
	1	Alfa Laval Q-doc service kit			

	Qty	Denomination	DN 25	DN 32	DN 40	DN 50
			Disc □ 8	Disc □ 8	Disc □ 8	Disc □ 8
Service Kits						
▲		Service kit, EPDM	9611923290	9611923291	9611923292	9611923293
▲		Service kit, FPM	9611923303	9611923304	9611923305	9611923306
▲		Service kit, HNBR	9611923325	9611923326	9611923327	9611923328
▲		Service kit, Q (silikone)	9611923332	9611923333	9611923334	9611923335
▲		Service kit, PFA			9611923339	9611923340
			DN 65	DN 80	DN 100	
			Disc □ 10	Disc □ 10	Disc □ 12	

Service Kits						
▲		Service kit, EPDM	9611923294	9611923295	9611923296	
▲		Service kit, FPM	9611923307	9611923308	9611923309	
▲		Service kit, HNBR	9611923329	9611923330	9611923331	
▲		Service kit, Q (silikone)	9611923336	9611923337	9611923338	
▲		Service kit, PFA	9611923341	9611923342	9611923343	

Parts marked with ▲ are included in the service kit.
 Recommended spare parts: Service kit.

NOTE!!
 Lubricate the pin holes in the seal (5) with Klüber Paraliq GTE 703 or similar.
 Very important for Q and FPM.



Pos	Qty	Denomination	25 mm	38 mm	51 mm	63.5 mm	76 mm	101.6 mm
			Disc □ 8	Disc □ 8	Disc □ 8	Disc □ 8	Disc □ 10	Disc □ 12
RA 0.5								
1	2	Valve body half, welding ends						
1a	2	Valve body half, clamp ferrule						
2	1	Disc	9614058101	9614058102	9614058103	9614058104	9614058105	9614058106
3 ▲	1	Bush						
4 ▲	1	Bush						
5 ▲	1	Seal ring, EPDM						
5 ▲	1	Seal ring, FPM						
▲	1	Seal ring, HNBR						
▲	1	Seal ring, Silicone Q						
▲	1	Seal ring, PFA						

Pos	Qty	Denomination	25 mm	38 mm	51 mm	63.5 mm	76 mm	101.6 mm
			Disc □ 8	Disc □ 8	Disc □ 8	Disc □ 8	Disc □ 10	Disc □ 12
RA 0.38								
1	2	Valve body half, welding ends						
1a	2	Valve body half, clamp ferrule						
2	1	Disc	9614058107	9614058108	9614058109	9614058110	9614058111	9614058112
3 ▲	1	Bush						
4 ▲	1	Bush						
5 ▲	1	Seal ring, EPDM						
5 ▲	1	Seal ring, FPM						
▲	1	Seal ring, HNBR						
▲	1	Seal ring, Silicone Q						
▲	1	Seal ring, PFA						
6	1	Set screw + nut, M6	9611417340	9611417340				
▲	1	Set screw + nut, M8			9611417350	9611417350	9611417360	
▲	1	Set screw + nut, M10						9611417370
	1	Alfa Laval Q-doc service kit						

			25 mm	38 mm	51 mm	63.5 mm	76 mm	101.6 mm
			Disc □ 8	Disc □ 8	Disc □ 8	Disc □ 8	Disc □ 10	Disc □ 12

Service Kits

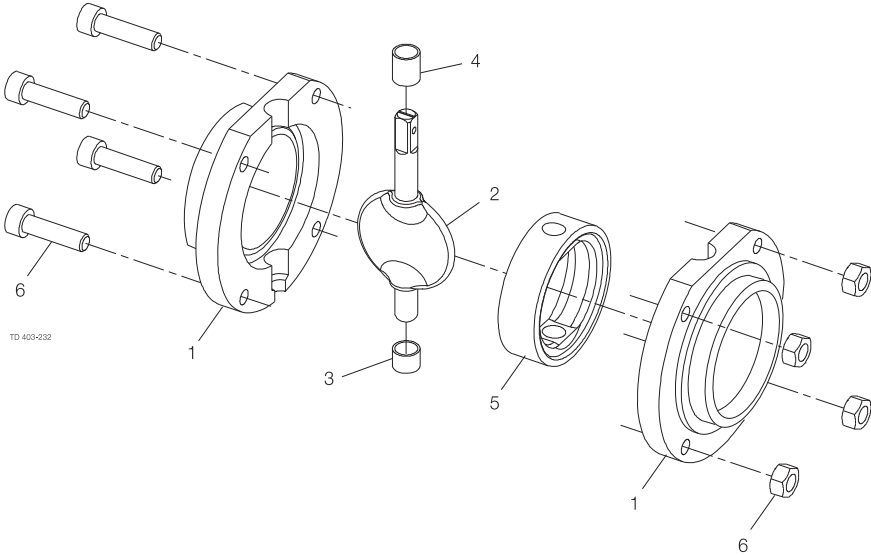
▲	Service kit, EPDM	9611923284	9611923285	9611923286	9611923287	9611923288	9611923289
▲	Service kit, FPM	9611923297	9611923298	9611923299	9611923300	9611923301	9611923302
▲	Service kit, HNBR	9611923346	9611923347	9611923348	9611923349	9611923350	9611923351
▲	Service kit, Q (silicone)	9611923352	9611923353	9611923354	9611923355	9611923356	9611923357
▲	Service kit, PFA		9611923358	9611923359	9611923360	9611923361	9611923362

Parts marked with ▲ are included in the service kit.
 Recommended spare parts: Service kit.

NOTE!!

Lubricate the pin holes in the seal (5) with Klüber Paraliq GTE 703 or similar.
 Very important for Q and FPM.

1.4



Pos	Qty Denomination	25mm	38mm	51mm	63.5mm	76mm	101.6mm
		□8	□8	□8	□8	□10	□12
1	2 Valve body half, AISI 304	9613850101	9613850201	9613850301	9613850401	9613850501	9613850601
2	1 Disc, AISI 304	9611413680	9611411690	9611411770	9611411850	9611411930	9612046301
3	♦ 1 Bush	9611411810	9611411730	9611411810	9611411890	9611411970	9611412060
4	♦ 1 Bush	9611413760	9611411730	9611411810	9611411890	9611411970	9611412050
5	♦ 1 Seal ring, EPDM	9611414135	9611414095	9611414105	9611414115	9611414065	9611414125
	1 Seal ring, Silicone Q	9611413720	9611411740	9611411820	9611411900	9611411980	9611412070
	1 Seal ring, Viton FPM	9611414133	9611414093	9611414103	9611414113	9611414063	9611414123
	1 Seal ring, HNBR	9611414134	9611414094	9611414104	9611414114	9611414064	9611414124
	1 Seal ring, PFA on EPDM	N/A	9611923202 ¹	9612900601	9612900701	9612900801	9611900901
6	1 Set screw, M6+Nut M6	9611417330	9611417330	9611417330			
	1 Set screw, M8+Nut M8				9611417310	9611417350	
	1 Set screw, M10+Nut M10						9611417320
		25mm	38mm	51mm	63.5mm	76mm	101.6mm
		□8	□8	□8	□8	□10	□12
♦	Service kit EPDM	9611923219	9611923220	9611923221	9611923222	9611923223	9611923224
♦	Service kit Q	9611923034	9611923035	9611923036	9611923037	9611923038	9611923039
♦	Service kit FPM	9611923040	9611923041	9611923042	9611923043	9611923044	9611923045
♦	Service kit HNBR	9611923160	9611923161	9611923162	9611923163	9611923164	9611923165
♦	Service kit PFA	N/A	9611923183	9611923184	9611923185	9611923186	9611923187

Parts marked with ♦ are included in the service kits.

Recommended spare parts: Service kits.

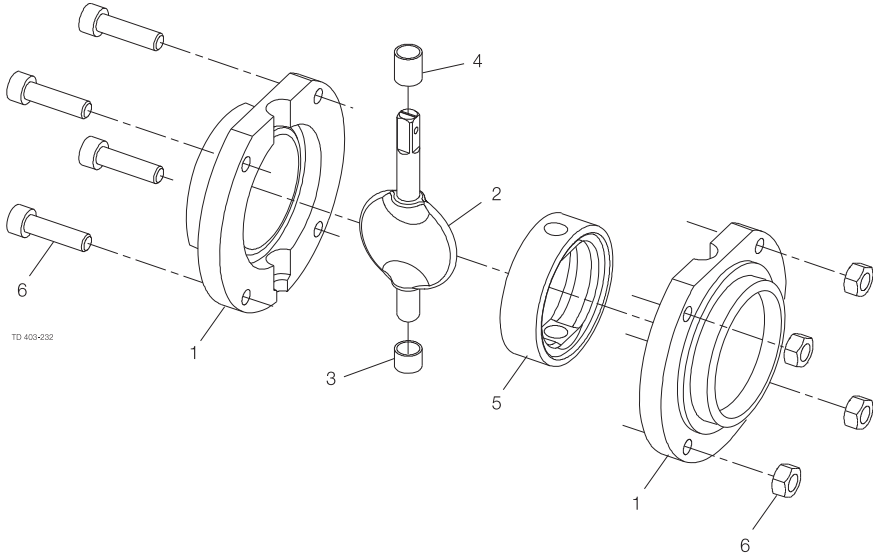
NOTE!!

Lubricate the pin holes in the seal (5) with Klüber Paraliq GTE 703 or similar.

Very important for Q and FPM.

¹Seal-ring is delivered assembled with disc.

1.4



Pos	Qty	Denomination	DN25 □8	DN32 □8	DN40 □8	DN50 □8
1	2	Valve body half, AISI 304, welding end	9615202801	9615202901	9615203001	9615203101
	2	Valve body half, AISI 304, male part end	9615205401	9615205402	9615205403	9615205404
2	1	Disc, AISI 304	9612073605	9612073705	9612073805	9612073905
3	♦	Bush	9611411810	9611411810	9611411810	9611411890
4	♦	Bush	9611411810	9611411810	9611411810	9611411890
5	♦	Seal ring, EPDM	9612070001	9612070101	9612070201	9612070301
	♦	Seal ring, Silicone Q	9612070901	9612071001	9612071101	9612071201
	♦	Seal ring, FPM	9612071801	9612071901	9612072001	9612072101
6	1	Set screw, M6 + Nut M6	9611417330	9611417330	9611417330	9611417330

Pos	Qty	Denomination	DN65 □10	DN80 □10	DN100 □12
1	2	Valve body half, AISI 304, welding end	9615203201	9615203301	9615203401
	2	Valve body half, AISI 304, male part end	9615205405	9615205406	9615205407
2	1	Disc, AISI 304	9612074005	9612074105	9612074205
3	♦	Bush	9611411890	9611411890	9611411970
4	♦	Bush	9611411890	9611411890	9611411970
5	♦	Seal ring, EPDM	9612070401	9612070501	9612070601
	♦	Seal ring, Silicone Q	9612071301	9612071401	9612071501
	♦	Seal ring, FPM	9612072201	9612072301	9612072401
6	1	Set screw, M8 + Nut M8	9611417310	9611417350	
	1	Set screw, M10 + Nut M10			9611417320

Service kits

		DN25 □8	DN32 □8	DN40 □8	DN50 □8
♦	Service kit, EPDM	9611923413	9611923414	9611923415	9611923416
♦	Service kit, Q	9611923083	9611923084	9611923085	9611923086
♦	Service kit, FPM	9611923091	9611923092	9611923093	9611923094
		DN65 □10	DN80 □10	DN100 □12	
♦	Service kit, EPDM	9611923417	9611923418	9611923419	
♦	Service kit, Q	9611923087	9611923088	9611923089	
♦	Service kit, FPM	9611923095	9611923096	9611923097	

Parts marked with ♦ are included in the service kits.

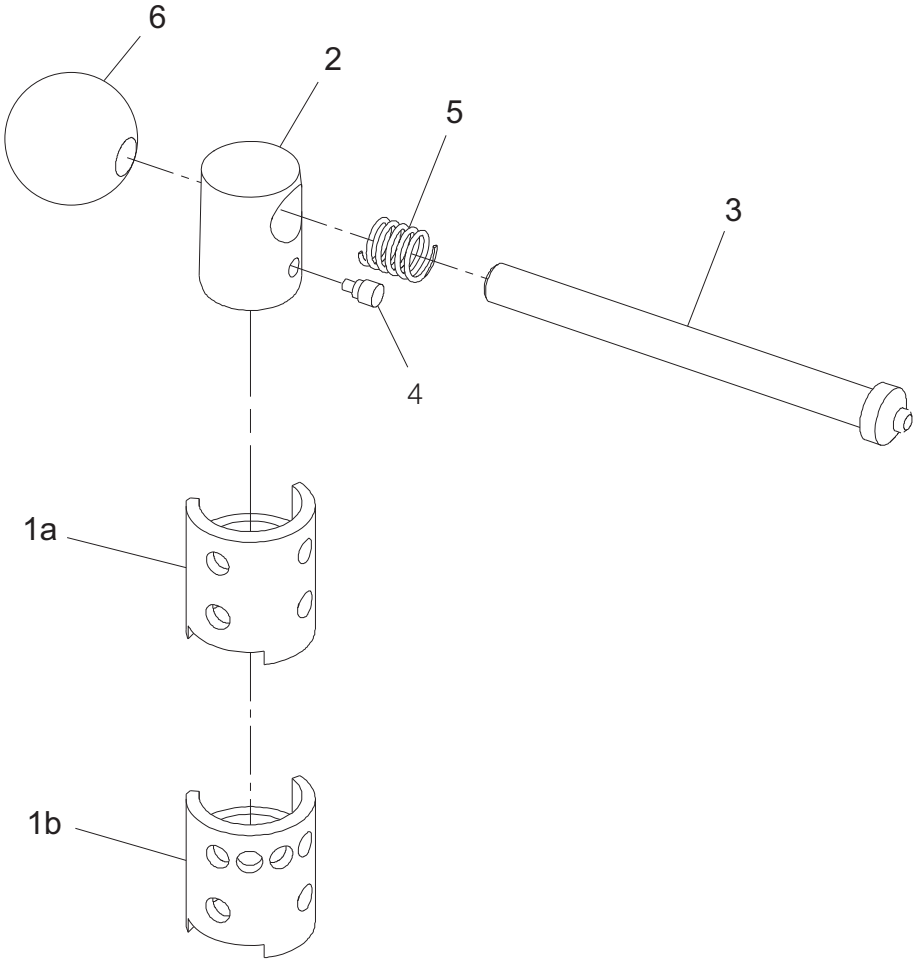
Recommended spare parts: service kits.

Seal ring is delivered assembled with disc.

NOTE!!

Lubricate the pin holes in the seal (5) with Klüber Paraliq GTE 703 or similar.

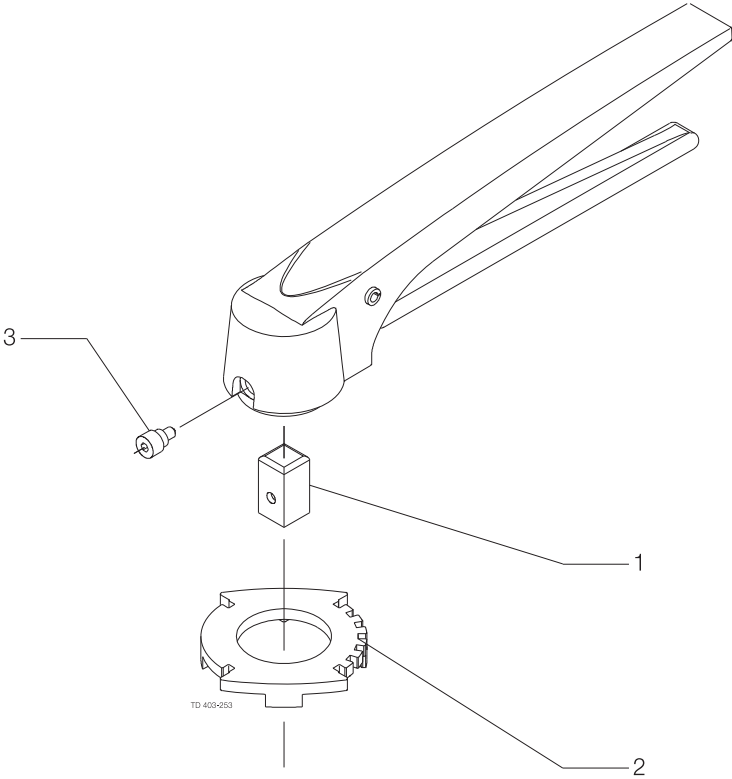
Very important for Q and FPM.



TD 403-227

Pos	Qty	Denomination	25-63.5mm	76mm	101.6mm
			□8	□10	□12
1a	1	Location cap, 2 pos.			
1b	1	Location cap, 4 pos.			
2	1	Transfer block			
3	1	Handle			
4	1	Screw with pin	9612045201	9612045301	9612045301
5	1	Spring	9611991998	9611991998	9611991982
6	1	Ball	9611991970	9611991970	9611991981

1.4

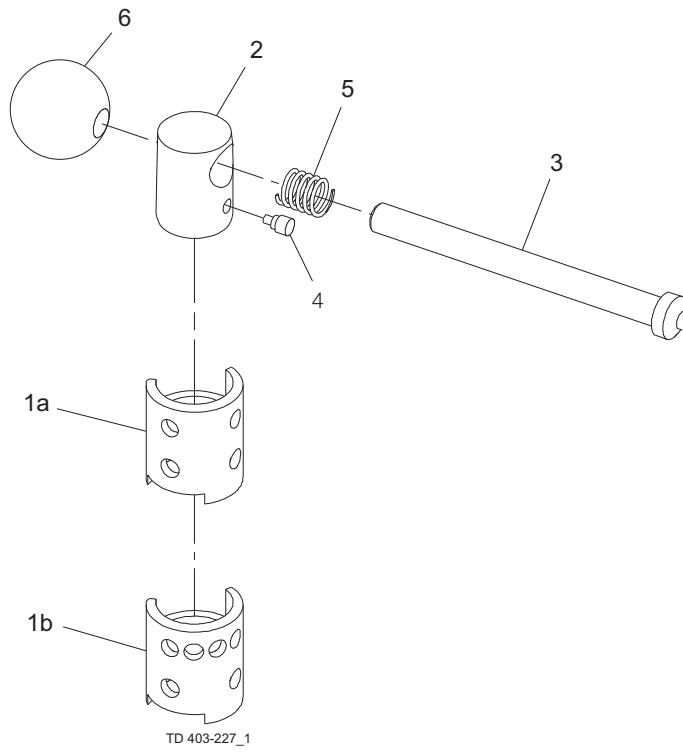


Pos	Qty	Denomination	Disc □ 8	Disc □ 10	Disc □ 12
1	1	Insert			
2	1	Positioning cap, (76-101.6 mm/DN65-100)			
		Positioning cap, (25-63.5 mm/DN25-50)			
3	1	Screw	9612045302	9612045301	9612045301

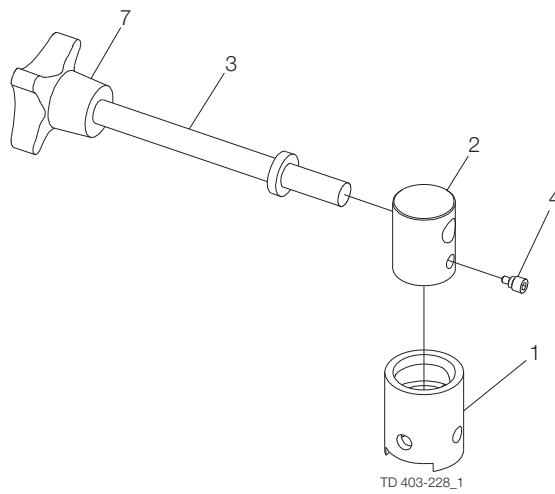
1.4

900530

Handle 1.1 for LKB butterfly valve



Handle 1.1 with infinite positions for LKB Butterfly valve



Handle 1.1 for Butterfly valve LKB (standard)

Pos	Qty	Denomination	25 - 63.5 mm	76 mm	101.6 mm	DN 125	DN 150
			DN 25 - 50	DN 65 - 80	DN 100		
			Disc □ 8	Disc □ 10	Disc □ 12	Disc □ 14	Disc □ 15
1a	1	Location cap , with 2 pos.					
1b	1	Location cap , with 4 pos.					
2	1	Transfer block					
3	1	Handle					
4	1	Screw with pin	9612045201	9612045301	9612045301	9612045301	9612045301
5	1	Spring	9611991998	9611991998	9611991982	9612078101	9612365101
6	1	Ball	9611991970	9611991970	9611991981	9611992512	9611992713

Handle 1.1 for Butterfly valve LKB (cap turned 90°)

Pos	Qty	Denomination	25 - 63.5 mm	76 mm	101.6 mm
			DN 25 - 50	DN 65 - 80	DN 100
			Disc □ 8	Disc □ 10	Disc □ 12
1a	1	Location cap turned 90° 2 pos.			
1b	1	Location cap turned 90° 4 pos.			
2	1	Transfer block			
3	1	Handle			
4	1	Screw with pin	9612045201	9612045301	9612045301
5	1	Spring	9611991998	9611991998	9611991982
6	1	Ball	9611991970	9611991970	9611991981

Handle 1.1 with infinite positions for Butterfly valve LKB

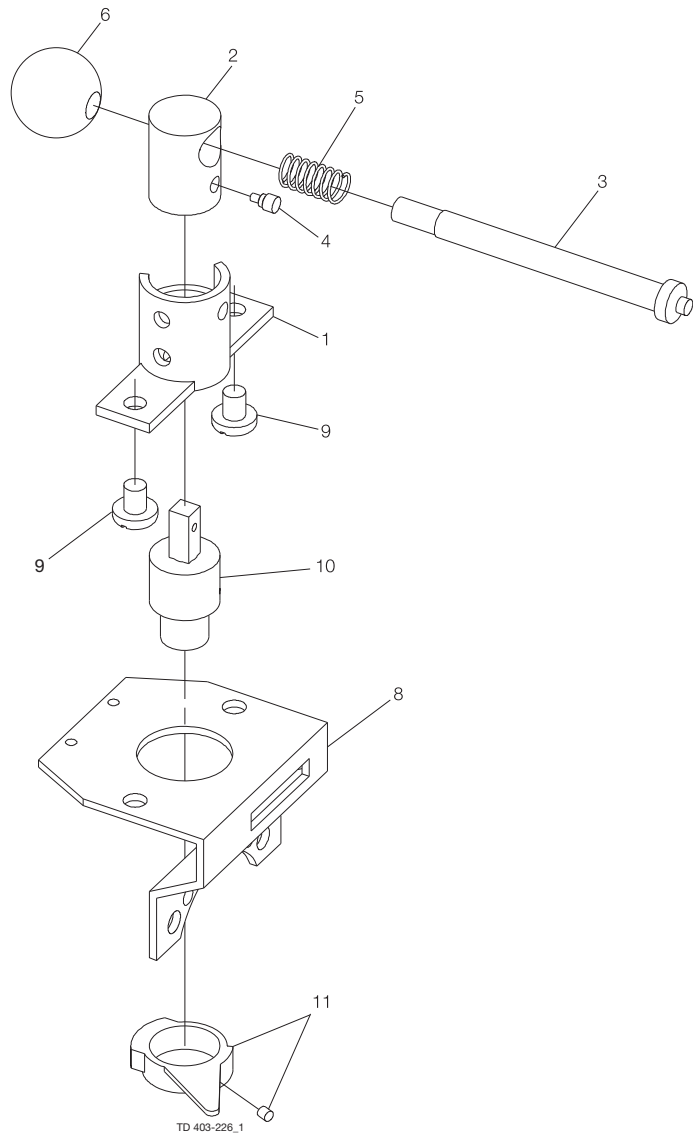
Pos	Qty	Denomination	25 - 63.5 mm	76 mm	101.6 mm
			DN 25 - 50	DN 65 - 80	DN 100
			Disc □ 8	Disc □ 10	Disc □ 12
1	1	Location cap			
2	1	Transfer block			
3	1	Handle			
4	1	Screw with pin	9612045201	9612045301	9612045301
7	1	Crosshead			

NB:

1) Handle 1.1 with □ 10 connection can also be used for old version 101.6 mm DN 100 LKB valve.

1) Handle 1.1 with □ 8 connection can also be used for old version DN 65 LKB valve.

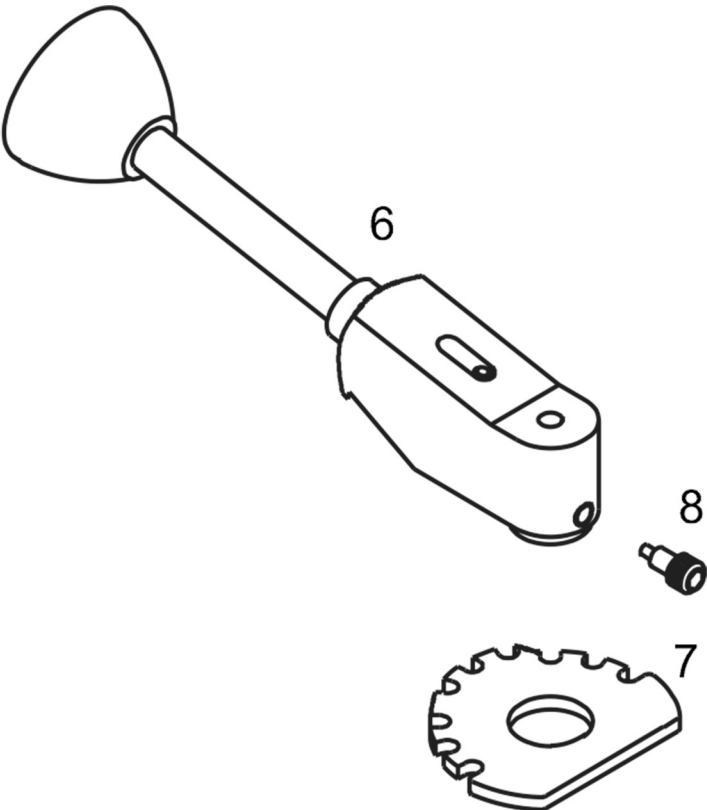
900265



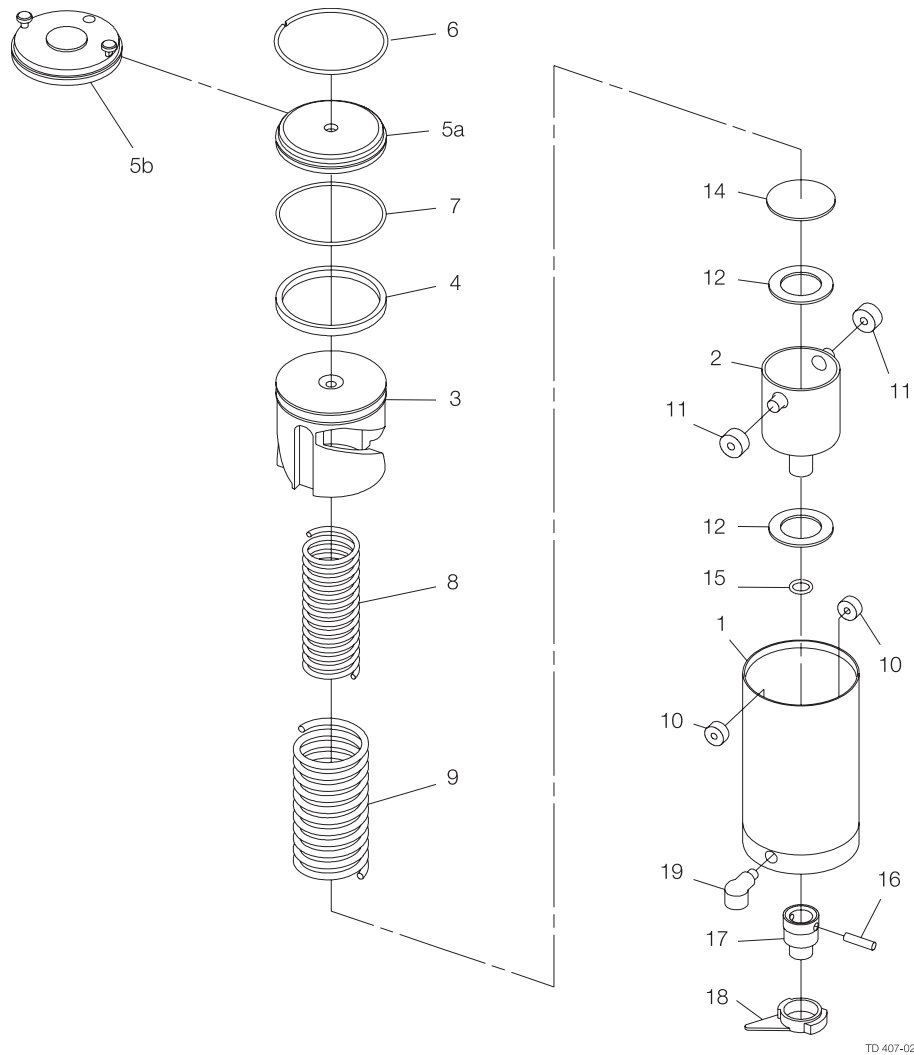
Pos	Qty	Denomination	25 - 63.5 mm	76 mm	101.6 mm	DN 65
			DN 25-50 Disc □ 8	DN 80 Disc □ 10	DN 100 Disc □ 12	(LKB-DIN) Disc □ 10
1	1	Location cap with 2 pos.				
2	1	Transfer block				
3	1	Handle				
4	1	Screw with pin	9612045201	9612045301	9612045301	9612045301
5	1	Spring	9611991998	9611991998	9611991982	9611991998
6	1	Ball	9611991970	9611991970	9611991981	9611991970
8	1	Bracket	9611416470	9611416480	9611416480	9612081502
9	2	Screw	9611991686	9611991686	9611991686	9611991686
10	1	Coupling				
11	1	Activating ring with screw	9611416690	9611416690	9611416690	9611416690

900167/1

1.4



Pos	Qty	Denomination	1"	1 1/2"	2"	2 1/2"	3"	4"
6	1	Handle	331015	331015	331015	331015	331016	331016
7	1	Stop Plate	331141C	331141C	331141C	331141C	331142C	331142C
8	1	Ret. Screw	330028	330028	330028	330028	330035	330035



TD 407-025

Pos	Qty	Denomination	NC	NC	NC	NO	NO	NO
			25-63.5 mm DN 25-50 Disc □ 8	76 mm DN 65-80 Disc □ 10	101.6 mm DN 100 Disc □ 12	25-63.5 mm DN 25-50 Disc □ 8	76 mm DN 65-80 Disc □ 10	101.6 mm DN 100 Disc □ 12
1	1	Air cylinder	9611417580	9611417580	9611417580	9611417580	9611417580	9611417580
2	1	Rotating cylinder	9611416380	9611416380	9611416380	9611416380	9611416380	9611416380
3	1	Piston	9612194401	9612194401	9612194401	9612194301	9612194301	9612194301
4	□	O-ring, NBR	9611990052	9611990052	9611990052	9611990052	9611990052	9611990052
5a	1	End cap, (Period 0011-)	9611416330	9611416330	9611416330	9611416330	9611416330	9611416330
	1	End cap, (Period 8301-0011)	3135707401	3135707401	3135707401	3135707401	3135707401	3135707401
6	1	Retaining ring	9611402021	9611402021	9611402021	9611402021	9611402021	9611402021
7	□	O-ring, NBR	9611990396	9611990396	9611990396	9611990396	9611990396	9611990396
8	1	Inner spring	9611991629	9611991629	9611991629	9611991629	9611991629	9611991629
9	1	Outer spring	9611991631	9611991631	9611991631	9611991631	9611991631	9611991631
10	□	Needle bearing	9611991230	9611991230	9611991230	9611991230	9611991230	9611991230
11	□	Needle bearing	9611991231	9611991231	9611991231	9611991231	9611991231	9611991231
12	□	Thrust bearing	9611991236	9611991236	9611991236	9611991236	9611991236	9611991236
14	1	Thrust plate	9611416460	9611416460	9611416460	9611416460	9611416460	9611416460
15	□	O-ring, NBR	9611991233	9611991233	9611991233	9611991233	9611991233	9611991233
16	1	Connex pin	9611991235	9611991235	9611991235	9611991235	9611991235	9611991235
17	1	Coupling	9611416440	9611416450	9612044703	9611416440	9611416450	9612044703
18	1	Activating ring, Noryl with screw	9611416690	9611416690	9611416690	9611416690	9611416690	9611416690
19	1	Water rejector (period 8310-)	9611417750	9611417750	9611417750	9611417750	9611417750	9611417750

NC/NO for Altop

Pos	Qty	Denomination	NC	NC	NC	NO	NO	NO
			25-63.5 mm DN 25-50 Disc □ 8	76 mm DN 65-80 Disc □ 10	101.6 mm DN 100 Disc □ 12	25-63.5 mm DN 25-50 Disc □ 8	76 mm DN 65-80 Disc □ 10	101.6 mm DN 100 Disc □ 12
5b	1	End cap, Mark III	9611416740	9611416740	9611416740	9611416740	9611416740	9611416740

All other parts as above.

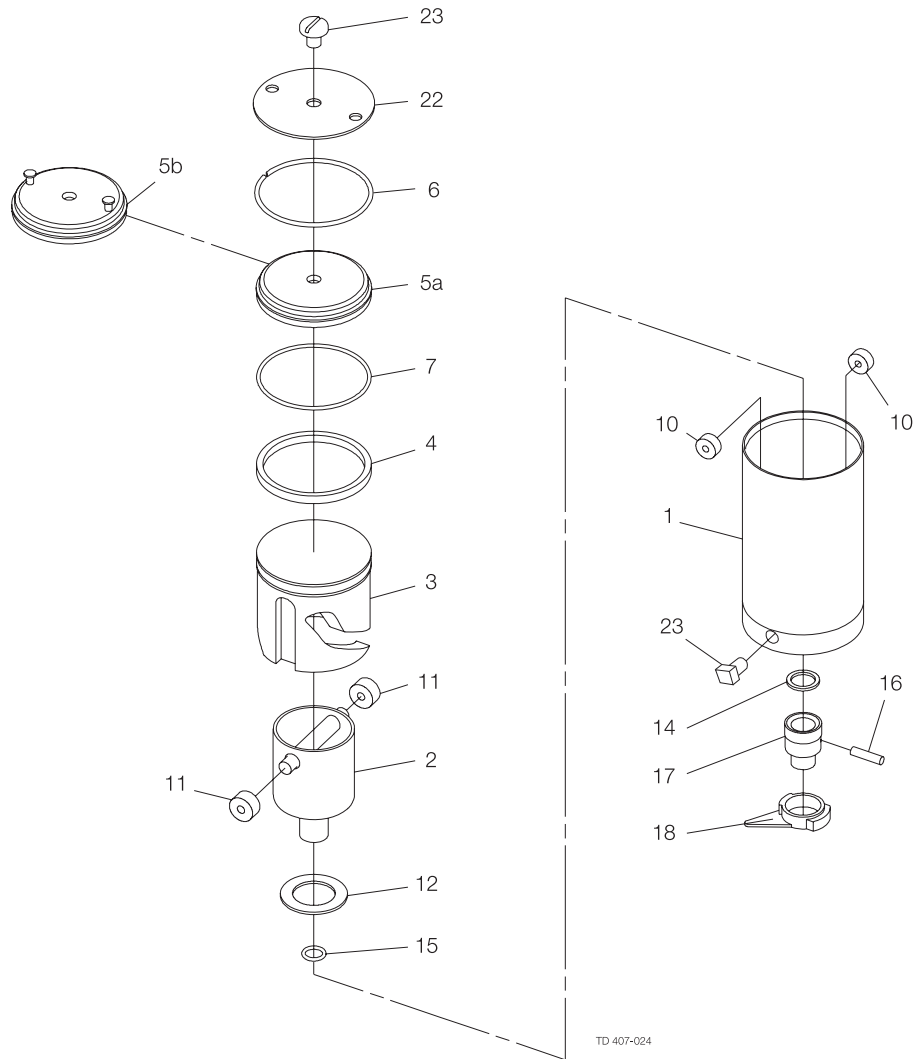
Service kit for actuator

Service kits, air/spring 9611923010

Note:

Butterfly valve 101.6 mm / DN100 sold before 8906 = □ 10 mm
 Butterfly valve DN 65 (ISO) sold before 8910 = □ 8 mm
 Please check the square size of the disc when ordering spares.

Parts marked with □ are included in the service kit.
 Recommended spare parts: Service kit.



Pos	Qty	Denomination	25-63.5 mm	76 mm	101.6 mm
			DN 25-50	DN 65-80	DN 100
			Disc □ 8	Disc □ 10	Disc □ 12
1	1	Air cylinder	9611417580	9611417580	9611417580
2	1	Rotating cylinder	9611417440	9611417440	9611417440
3	1	Piston	9611417520	9611417520	9611417520
4	□ 1	O-ring, NBR	9611990052	9611990052	9611990052
5a	1	End cap, (Period 0011-)	9611416330	9611416330	9611416330
	1	End cap, (Period 8301-0011)	3135707401	3135707401	3135707401
6	1	Retaining ring	9611402021	9611402021	9611402021
7	□ 1	O-ring, NBR	9611990396	9611990396	9611990396
10	□ 2	Needle bearing	9611991230	9611991230	9611991230
11	□ 2	Needle bearing	9611991231	9611991231	9611991231
12	□ 1	Thrust bearing	9611991236	9611991236	9611991236
14	1	Thrust plate	9611417570	9611417570	9611417570
15	□ 1	O-ring, NBR	9611991233	9611991233	9611991233
16	1	Connex pin	9611991235	9611991235	9611991235
17	1	Coupling	9611417550	9611417560	9612044802
18	1	Activating ring with screw	9611416690	9611416690	9611416690
22***	1	Retaining plate	9611414370	9611414370	9611414370
23	2	Threaded plug	9611991221	9611991221	9611991221

*** Up to 8910 supplied without holes, not available anymore

Air/air for Altop

Pos	Qty	Denomination	25-63.5 mm	76 mm	101.6 mm
			DN 25-50	DN 65-80	DN 100
			Disc □ 8	Disc □ 10	Disc □ 12
5b	1	End cap, Mark III	9611416740	9611416740	9611416740

All other parts as above.

Service kits for actuator

Service kits, air/air 9611923011

Note:

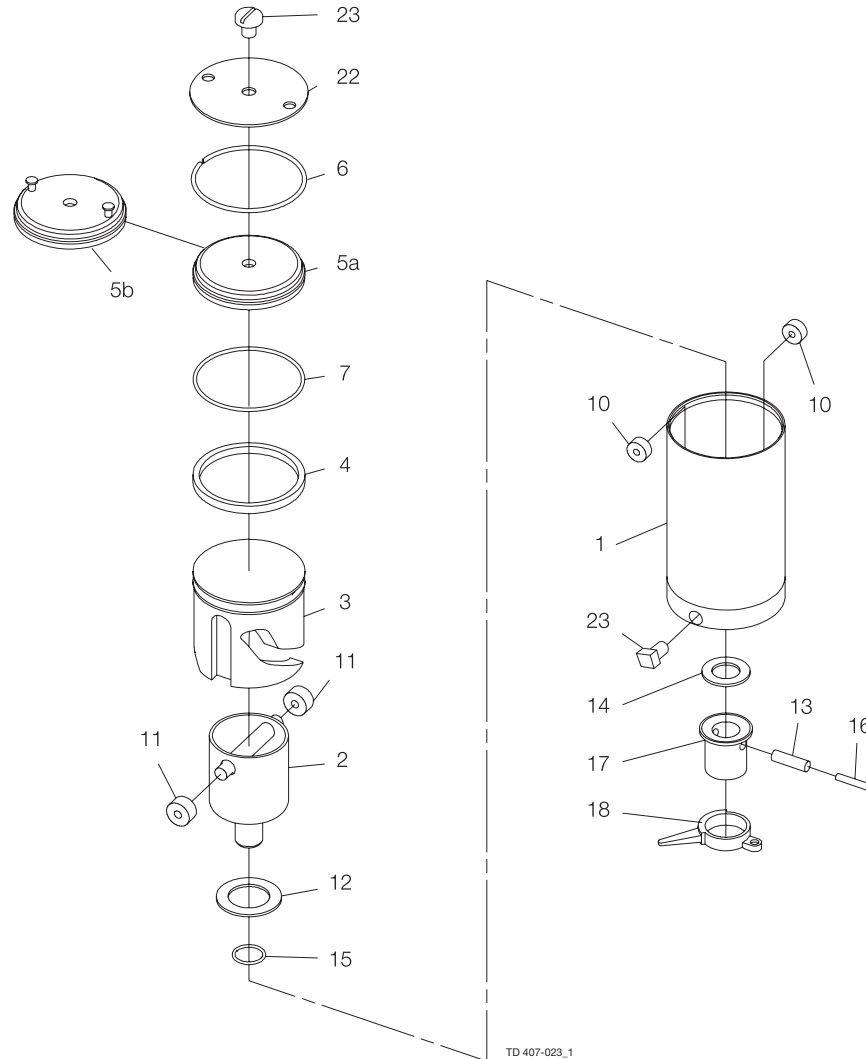
Butterfly valve 101.6 mm / DN100 sold before 8906 = □ 10 mm

Butterfly valve DN 65 (ISO) sold before 8910 = □ 8 mm

Please check the square size of the disc when ordering spares.

Parts marked with □ are included in the service kit.

Recommended spare parts: Service kit.



Pos	Qty	Denomination	DN 125	DN 150
			Disc □ 14	Disc □ 15
1	1	Air cylinder	9611417420	9611417420
2	1	Rotating cylinder	9611417440	9611417440
3	1	Piston	9611417520	9611417520
4	□ 1	O-ring, NBR	9611990052	9611990052
5a	1	End cap, (Period 0011-)	9611416330	9611416330
	1	End cap, (Period 8301-0011)	3135707401	3135707401
6	1	Retaining ring	9611402021	9611402021
7	□ 1	O-ring, NBR	9611990396	9611990396
10	□ 2	Needle bearing	9611991230	9611991230
11	□ 2	Needle bearing	9611991231	9611991231
12	□ 1	Thrust bearing	9611991236	9611991236
13	1	Connex pin	9611991314	9611991314
14	1	Thrust plate	9611417540	9611417540
15	□ 1	O-ring, NBR	9611990030	9611990030
16	1	Connex pin	9611991313	9611991313
17	1	Coupling	9612285602	9611417471
18	1	Activating ring with screw	9611416650	9611416650
22***	1	Retaining plate	9611414370	9611414370
23	2	Threaded plug	9611991221	9611991221

*** Up to 8910 supplied without holes, not available anymore

Air/air for Altop

Pos	Qty	Denomination	Disc □ 14	Disc □ 15
5b	1	End cap, Mark III	9611416740	9611416740

All other parts as above.

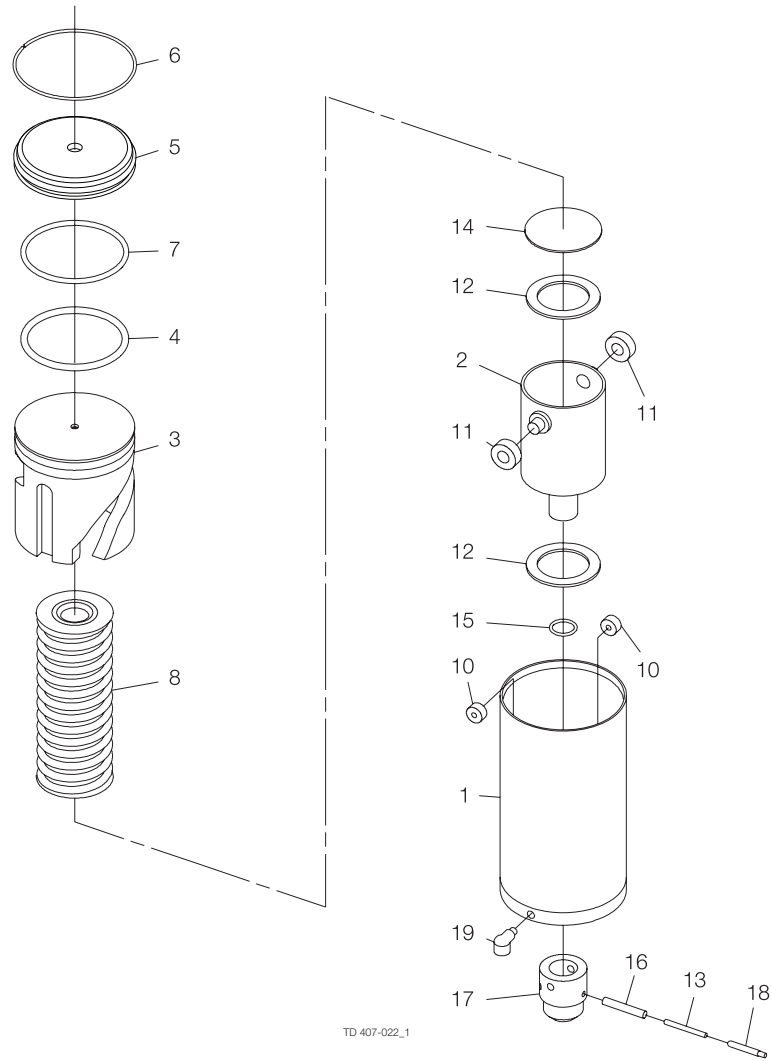
Service kits for actuator

Service kits, air/air 9611923012

Parts marked with □ are included in the service kit.

Recommended spare parts: Service kit.

900130/1



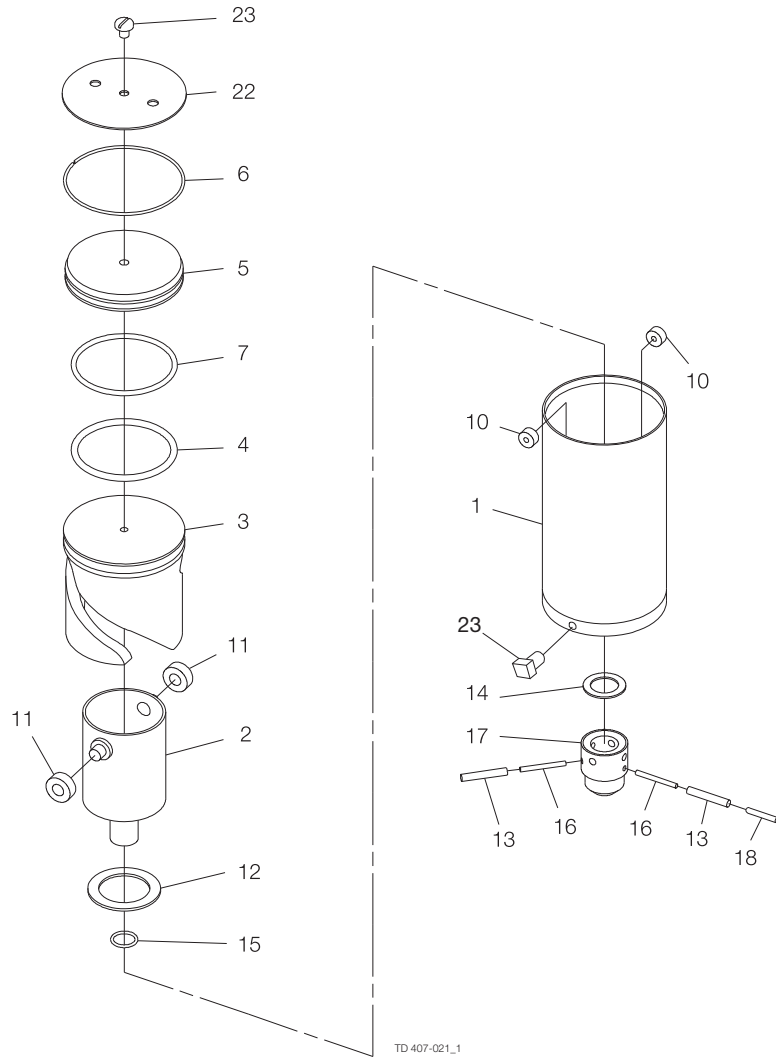
Pos	Qty	Denomination	NC	NO	NC	NO	NC	NO
			101.6 mm DN 100 Disc □ 12	101.6 mm DN 100 Disc □ 12	DN 125 Disc □ 14	DN 125 Disc □ 14	DN 150 Disc □ 15	DN 150 Disc □ 15
1	1	Air cylinder	9612268501	9612268501	9612268501	9612268501	9612268501	9612268501
2	1	Rotating cylinder	9612267801	9612267801	9612267801	9612267801	9612267801	9612267801
3	1	Piston	9612270001	9612268001	9612270001	9612268001	9612270001	9612268001
4	□ 1	O-ring, NBR	9611992367	9611992367	9611992367	9611992367	9611992367	9611992367
5	1	End cap, (Period: 0011-)	9612267501	9612267501	9612267501	9612267501	9612267501	9612267501
	1	End cap, (Period:9001 - 0011)	9612271401	9612271401	9612271401	9612271401	9612271401	9612271401
6	1	Retaining ring	9612268201	9612268201	9612268201	9612268201	9612268201	9612268201
7	□ 1	O-ring, NBR	9611990035	9611990035	9611990035	9611990035	9611990035	9611990035
8	1	Spring assembly	9612270101	9612270101	9612270101	9612270101	9612270101	9612270101
10	□ 2	Needle bearing	9611991231	9611991231	9611991231	9611991231	9611991231	9611991231
11	□ 2	Needle bearing	9611992355	9611992355	9611992355	9611992355	9611992355	9611992355
12	□ 2	Thrust bearing	9611992347	9611992347	9611992347	9611992347	9611992347	9611992347
13	1	Connex pin	9611992357	9611992357	9611992357	9611992357	9611992357	9611992357
14	1	Thrust plate	9612267101	9612267101	9612267101	9612267101	9612267101	9612267101
15	□ 1	O-ring, NBR	9611990079	9611990079	9611990079	9611990079	9611990079	9611990079
16	1	Connex pin	9611992358	9611992358	9611992358	9611992358	9611992358	9611992358
17	1	Coupling	9612271501	9612271501	9612271502	9612271502	9612271503	9612271503
18	1	Indication pin	9612271901	9612271901	9612271901	9612271901	9612271901	9612271901
19	1	Water rejector	9611417750	9611417750	9611417750	9611417750	9611417750	9611417750

Service kits for actuator

Service kits, air/spring 9611923020

Parts marked with □ are included in the service kit.

Recommended spare parts: service kit.



Pos	Qty	Denomination	101.6 mm		
			DN 100 Disc □ 12	DN 125 Disc □ 14	DN 150 Disc □ 15
1	1	Air Cylinder	9612268501	9612268501	9612268501
2	1	Rotating cylinder	9612267801	9612267801	9612267801
3	1	Piston	9612268001	9612268001	9612268001
4	□ 1	O-ring, NBR	9611992367	9611992367	9611992367
5	1	End cap, (Period: 0011-)	9612267501	9612267501	9612267501
	1	End cap, (Period:9001 - 0011)	9612271401	9612271401	9612271401
6	1	Retaining ring	9612268201	9612268201	9612268201
7	□ 1	O-ring , NBR	9611990035	9611990035	9611990035
10	□ 2	Needle bearing	9611991231	9611991231	9611991231
11	□ 2	Needle bearing	9611992355	9611992355	9611992355
12	□ 1	Thrust bearing	9611992347	9611992347	9611992347
13	2	Connex pin	9611992358	9611992358	9611992358
14	1	Thrust plate	9612280401	9612280401	9612280401
15	□ 1	O-ring, NBR	9611990079	9611990079	9611990079
16	2	Connex pin	9611992357	9611992357	9611992357
17	1	Coupling	9612282701	9612282702	9612282703
18	1	Indication pin	9612271901	9612271901	9612271901
22	1	Retaining plate	9612348601	9612348601	9612348601
23	1	Threaded plug	9611991221	9611991221	9611991221

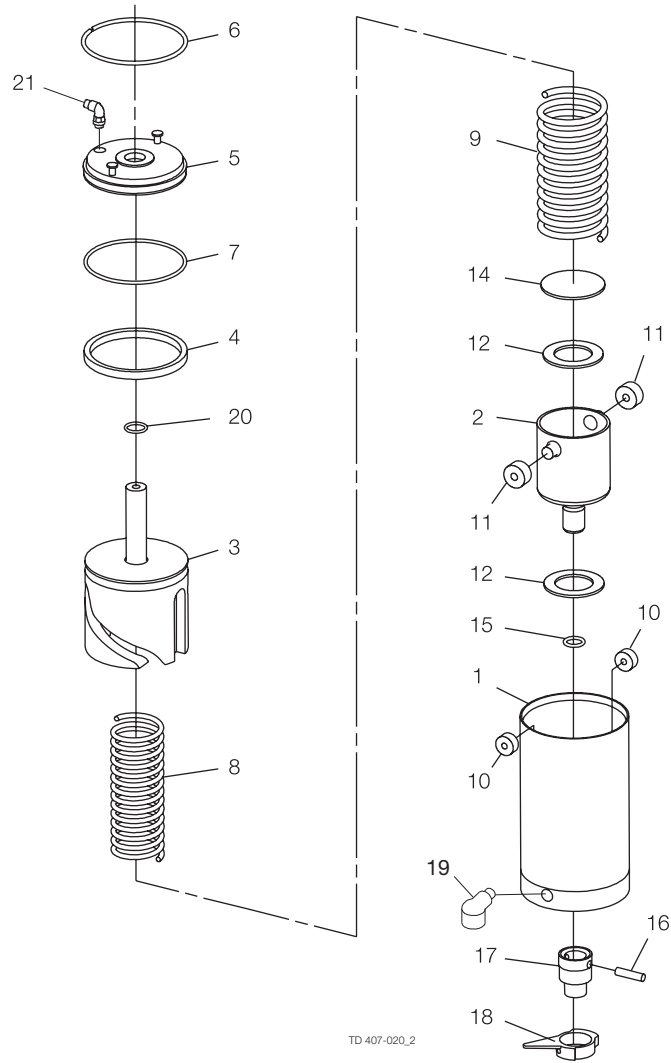
Service kits for actuator

Service kits, air/air 9611923022

Parts marked with □ are included in the service kit.

Recommended spare parts: service kit.

900132/1



TD 407-020_2

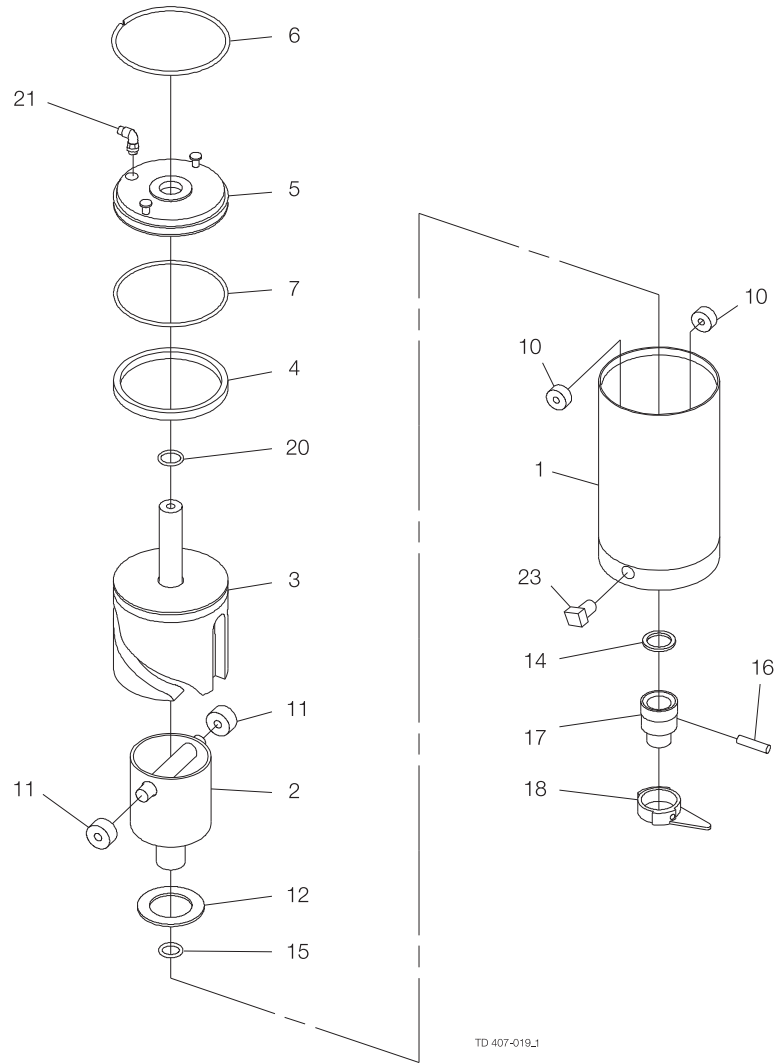
Pos	Qty	Denomination	NC	NC	NC	NO	NO	NO
			25-63.5 mm DN 25-50 Disc □ 8	76 mm DN 65-80 Disc □ 10	101.6 mm DN 100 Disc □ 12	25-63.5 mm DN 25-50 Disc □ 8	76 mm DN 65-80 Disc □ 10	101.6 mm DN 100 Disc □ 12
1	1	Air cylinder	9611417580	9611417580	9611417580	9611417580	9611417580	9611417580
2	1	Rotating cylinder	9611416380	9611416380	9611416380	9611416380	9611416380	9611416380
3	1	Piston	9612193902	9612193902	9612193902	9612193901	9612193901	9612193901
4	□ 1	O-ring, NBR	9611990052	9611990052	9611990052	9611990052	9611990052	9611990052
5	1	End cap	9612193601	9612193601	9612193601	9612193601	9612193601	9612193601
6	1	Retaining ring	9611402021	9611402021	9611402021	9611402021	9611402021	9611402021
7	□ 1	O-ring, NBR	9611990396	9611990396	9611990396	9611990396	9611990396	9611990396
8	1	Inner spring	9611991629	9611991629	9611991629	9611991629	9611991629	9611991629
9	1	Outer spring	9611991631	9611991631	9611991631	9611991631	9611991631	9611991631
10	□ 2	Needle bearing	9611991230	9611991230	9611991230	9611991230	9611991230	9611991230
11	□ 2	Needle bearing	9611991231	9611991231	9611991231	9611991231	9611991231	9611991231
12	□ 2	Thrust bearing	9611991236	9611991236	9611991236	9611991236	9611991236	9611991236
14	1	Thrust plate	9611416460	9611416460	9611416460	9611416460	9611416460	9611416460
15	□ 1	O-ring, NBR	9611991233	9611991233	9611991233	9611991233	9611991233	9611991233
16	1	Connex pin	9611991235	9611991235	9611991235	9611991235	9611991235	9611991235
17	1	Coupling	9611416440	9611416450	9612044703	9611416440	9611416450	9612044703
18	1	Activating ring with screw	9611416690	9611416690	9611416690	9611416690	9611416690	9611416690
19	1	Water rejector (period 8310-)	9611417750	9611417750	9611417750	9611417750	9611417750	9611417750
20	□ 1	O-ring, NBR	22340421	22340421	22340421	22340421	22340421	22340421
21	1	Air fitting	9611991988	9611991988	9611991988	9611991988	9611991988	9611991988

Service kits for actuator

Service kits, air/spring 9611923021

Parts marked with □ are included in the service kit.

Recommended spare parts: service kit.



Pos	Qty	Denomination	25-63.5 mm	76 mm	101.6 mm
			DN 25-50 Disc □ 8	DN 65-80 Disc □ 10	DN 100 Disc □ 12
1	1	Air cylinder	9611417580	9611417580	9611417580
2	1	Rotating cylinder	9611417441	9611417441	9611417441
3	1	Piston	9612193903	9612193903	9612193903
4	□ 1	O-ring, NBR	9611990052	9611990052	9611990052
5	1	End cap	9612193601	9612193601	9612193601
6	1	Retaining ring	9611402021	9611402021	9611402021
7	□ 1	O-ring, NBR	9611990396	9611990396	9611990396
10	□ 2	Needle bearing	9611991230	9611991230	9611991230
11	□ 2	Needle bearing	9611991231	9611991231	9611991231
12	□ 1	Thrust bearing	9611991236	9611991236	9611991236
14	1	Thrust plate	9611417570	9611417570	9611417570
15	□ 1	O-ring, NBR	9611991233	9611991233	9611991233
16	1	Connex pin	9611991235	9611991235	9611991235
17	1	Coupling	9611417551	9611417561	9612044802
18	1	Activating ring with screw	9611416690	9611416690	9611416690
20	□ 1	O-ring, NBR	22340421	22340421	22340421
21	1	Air fitting	9611991988	9611991988	9611991988
23	1	Threaded plug	9611991221	9611991221	9611991221

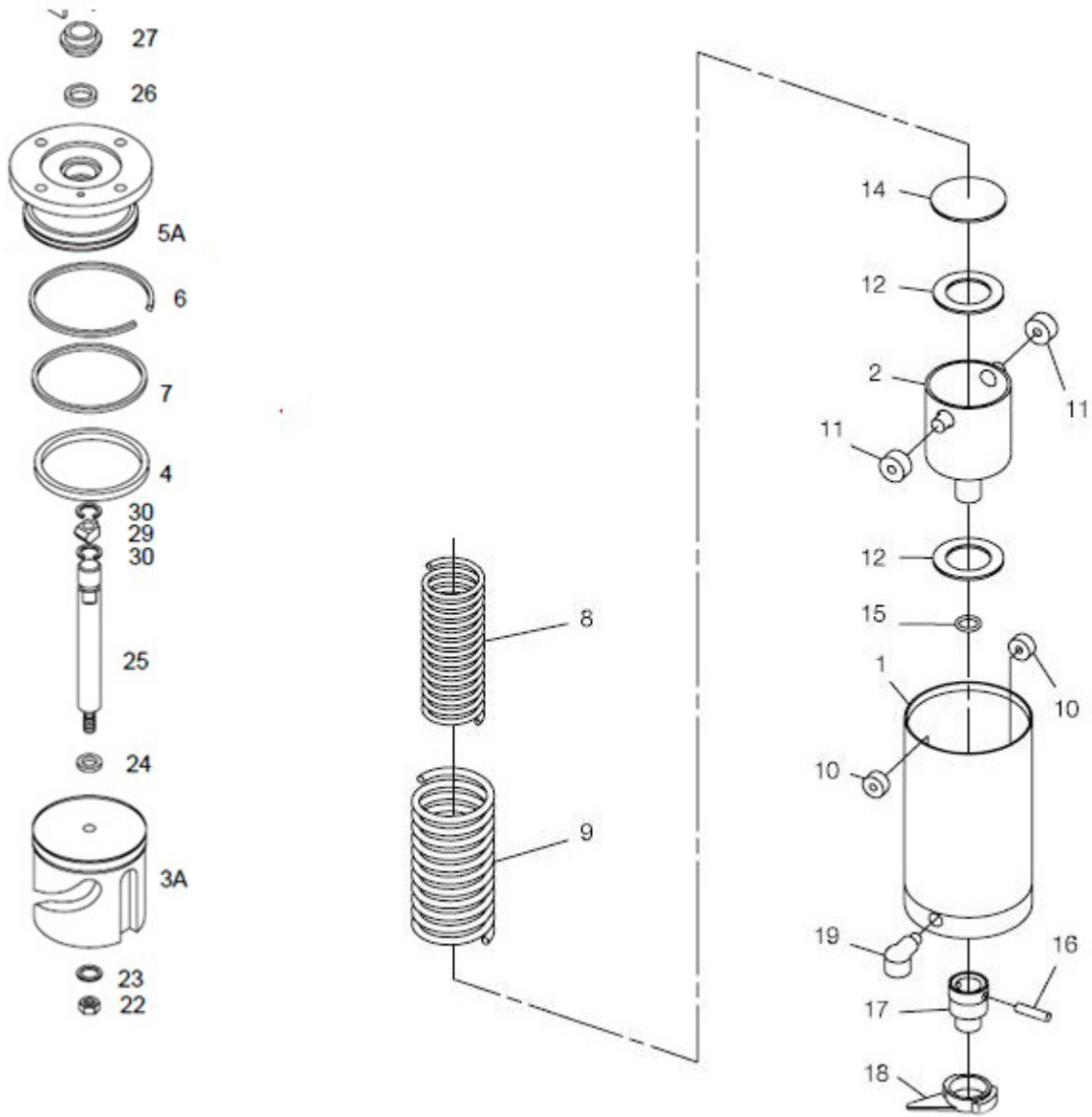
Service kits for actuator

Service kits, air/air 9611923023

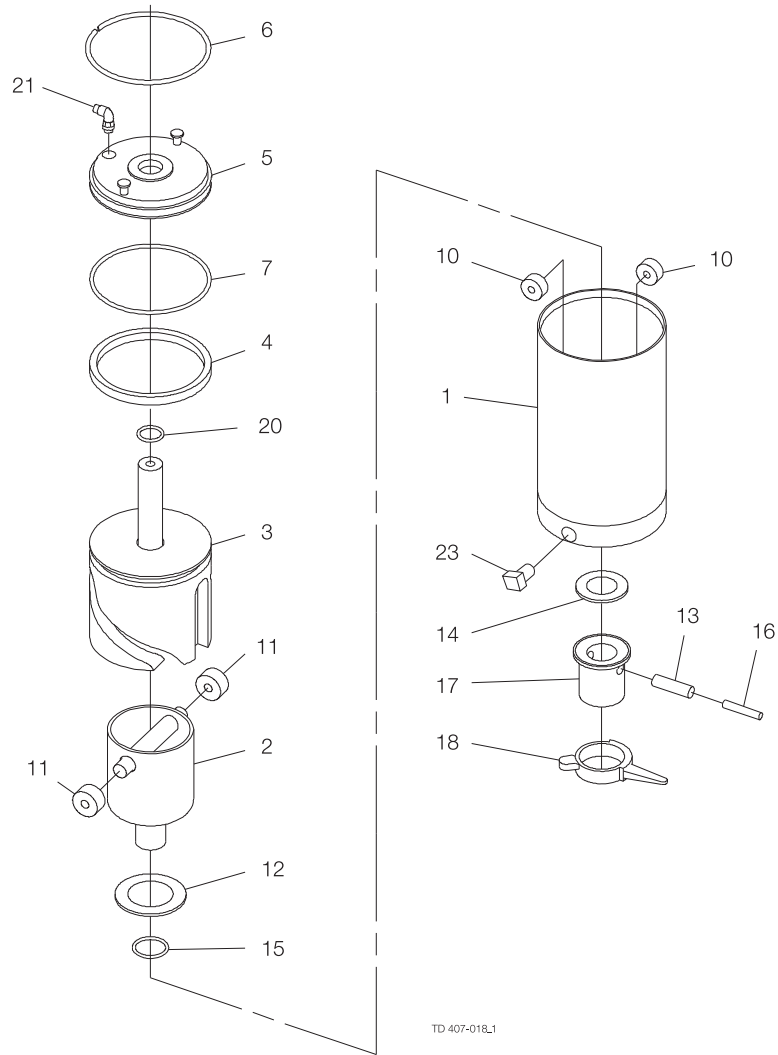
Parts marked with □ are included in the service kit.

Recommended spare parts: service kit.

900134/1



Pos	Qty	Denomination	NC	NC	NC	NO	NO	NO
			25-63.5 mm DN 25-50 Disc 8	76 mm DN 65-80 Disc 10	101.6 mm DN 100 Disc 12	25-63.5 mm DN 25-50 Disc 8	76 mm DN 65-80 Disc 10	101.6 mm DN 100 Disc 12
1	1	Air cylinder	9611417580	9611417580	9611417580	9611417580	9611417580	9611417580
2	1	Rotating cylinder	9611416380	9611416380	9611416380	9611416380	9611416380	9611416380
3	1	Piston	303171	303171	303171	303171	303171	303171
4	1	O-ring	9611990052	9611990052	9611990052	9611990052	9611990052	9611990052
5A	1	Mounting adapter	303103	303103	303103	303103	303103	303103
6	1	Retaining ring	9611402021	9611402021	9611402021	9611402021	9611402021	9611402021
7	□	O-ring	401587	401587	401587	401587	401587	401587
8	1	Inner spring	9611991629	9611991629	9611991629	9611991629	9611991629	9611991629
9	1	Outer spring	9611991631	9611991631	9611991631	9611991631	9611991631	9611991631
10	□	Needle bearing	9611991230	9611991230	9611991230	9611991230	9611991230	9611991230
11	□	Needle bearing	9611991231	9611991231	9611991231	9611991231	9611991231	9611991231
12	□	Thrust bearing	9611991236	9611991236	9611991236	9611991236	9611991236	9611991236
14	1	Thrust plate	9611416460	9611416460	9611416460	9611416460	9611416460	9611416460
15	□	O-ring, NBR	9611991233	9611991233	9611991233	9611991233	9611991233	9611991233
16	1	Connex pin	9611991235	9611991235	9611991235	9611991235	9611991235	9611991235
17	1	Coupling	9611416440	9611416440	9611416440	9611416440	9611416440	9611416440
18	1	Activating ring, Noryl with screw	9611416690	9611416690	9611416690	9611416690	9611416690	9611416690
19	1	Water rejector (period 8310-)	9611417750	9611417750	9611417750	9611417750	9611417750	9611417750
22	1	Nut	180310	180310	180310	180310	180310	180310
23	1	Lock washer	198862	198862	198862	198862	198862	198862
24	1	Gasket	751638	751638	751638	751638	751638	751638
25	1	Rising stem	303159	303159	303159	303159	303159	303159
26	1	Vee packing	755461	755461	755461	755461	755461	755461
27	1	Seal Retainer	751680	751680	751680	751680	751680	751680
29	1	Indication nut - Proximity switch	762729	762729	762729	762729	762729	762729
	1	Indication nut - Micro switch	760551	760551	760551	760551	760551	760551
30	2	Retainer ring	750196	750196	750196	750196	750196	750196



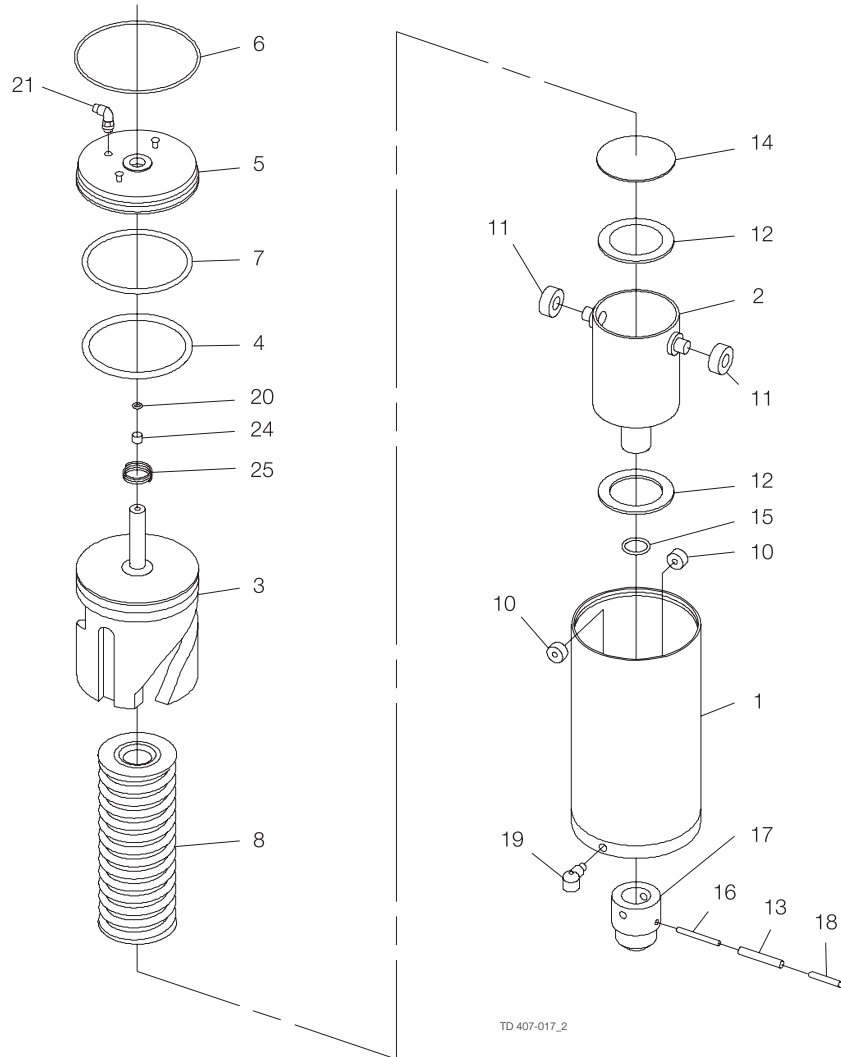
Pos	Qty	Denomination	DN 125	DN 150
			Disc □ 14	Disc □ 15
1	1	Air cylinder	9611417420	9611417420
2	1	Rotating cylinder	9611417440	9611417440
3	1	Piston	9612193903	9612193903
4	□ 1	O-ring, NBR	9611990052	9611990052
5	1	End cap	9612193601	9612193601
6	1	Retaining ring	9611402021	9611402021
7	□ 1	O-ring, NBR	9611990396	9611990396
10	□ 2	Needle bearing	9611991230	9611991230
11	□ 2	Needle bearing	9611991231	9611991231
12	□ 1	Thrust bearing	9611991236	9611991236
13	1	Connex pin	9611991314	9611991314
14	1	Thrust plate	9611417540	9611417540
15	□ 1	O-ring, NBR	9611990030	9611990030
16	1	Connex pin	9611991313	9611991313
17	1	Coupling	9612285602	9611417471
18	1	Activating ring with screw	9611416650	9611416650
20	□ 1	O-ring, NBR	22340421	22340421
21	1	Air fitting	9611991988	9611991988
23	1	Threaded plug	9611991221	9611991221

Service kits for actuator

Service kits, air/air	9611923024
-----------------------	------------

Parts marked with □ are included in the service kit.

Recommended spare parts: service kit.

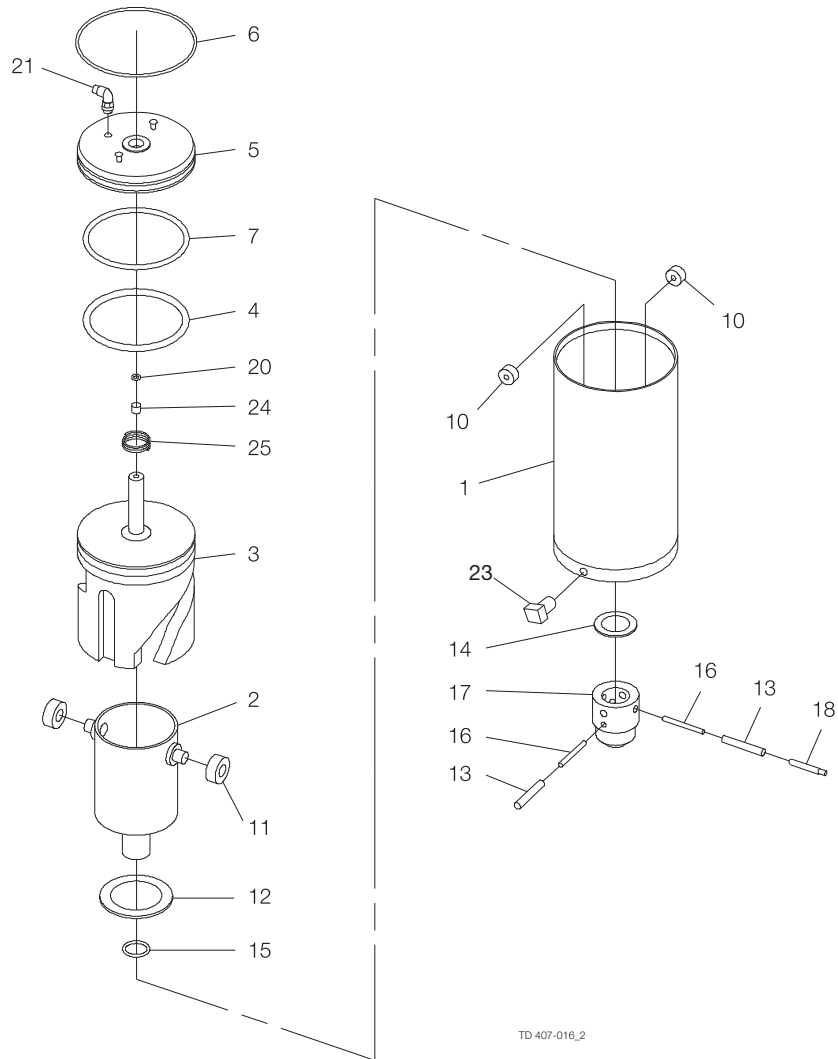


Pos	Qty	Denomination	NC	NO	NC	NO	NC	NO
			101.6 mm DN 100 Disc □ 12	101.6 mm DN 100 Disc □ 12	DN 125 Disc □ 14	DN 125 Disc □ 14	DN 150 Disc □ 15	DN 150 Disc □ 15
1	1	Air cylinder	9612268501	9612268501	9612268501	9612268501	9612268501	9612268501
2	1	Rotating cylinder	9612267801	9612267801	9612267801	9612267801	9612267801	9612267801
3	1	Piston	9612369901	9612369902	9612369901	9612369902	9612369901	9612369902
4	□	O-ring, NBR	9611992367	9611992367	9611992367	9611992367	9611992367	9611992367
5	1	End cap	9612271402	9612271402	9612271402	9612271402	9612271402	9612271402
6	1	Retaining ring	9612268201	9612268201	9612268201	9612268201	9612268201	9612268201
7	□	O-ring, NBR	9611990035	9611990035	9611990035	9611990035	9611990035	9611990035
8	1	Spring assembly	9612270101	9612270101	9612270101	9612270101	9612270101	9612270101
10	□	Needle bearing	9611991231	9611991231	9611991231	9611991231	9611991231	9611991231
11	□	Needle bearing	9611992355	9611992355	9611992355	9611992355	9611992355	9611992355
12	□	Thrust bearing	9611992347	9611992347	9611992347	9611992347	9611992347	9611992347
13	1	Connex pin	9611992357	9611992357	9611992357	9611992357	9611992357	9611992357
14	1	Thrust plate	9612267101	9612267101	9612267101	9612267101	9612267101	9612267101
15	□	O-ring, NBR	9611990079	9611990079	9611990079	9611990079	9611990079	9611990079
16	1	Connex pin	9611992358	9611992358	9611992358	9611992358	9611992358	9611992358
17	1	Coupling	9612271501	9612271501	9612271502	9612271502	9612271503	9612271503
18	1	Indication pin	9612271901	9612271901	9612271901	9612271901	9612271901	9612271901
19	1	Water rejector (period 8310-)	9611417750	9611417750	9611417750	9611417750	9611417750	9611417750
20	□	O-ring	22340421	22340421	22340421	22340421	22340421	22340421
21	1	Air fitting	9611991988	9611991988	9611991988	9611991988	9611991988	9611991988
24	□	Guiding ring	9612369801	9612369801	9612369801	9612369801	9612369801	9612369801
25	1	Spring	9612370001	9612370001	9612370001	9612370001	9612370001	9612370001

Service kits for actuator

Service kits, air/spring 9611923056

Parts marked with □ are included in the service kit.
 Recommended spare parts: service kit.



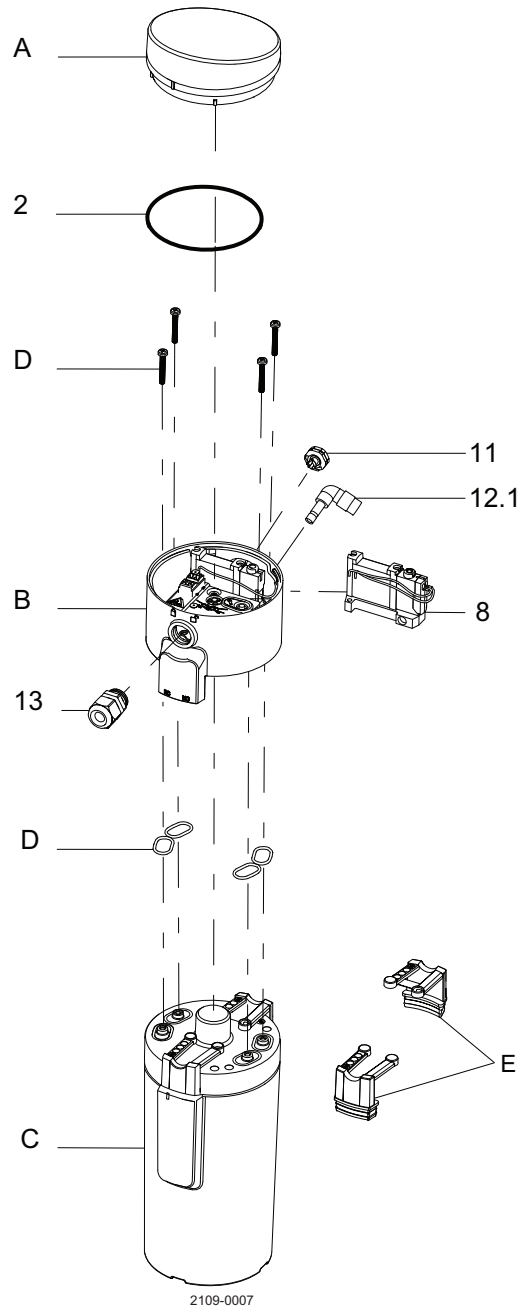
Pos	Qty	Denomination	9612374908		
			101.6 mm DN 100 Disc □ 12	9612374913 DN 125 Disc □ 14	9612374918 DN 150 Disc □ 15
1	1	Air cylinder	9612268501	9612268501	9612268501
2	1	Rotating cylinder	9612267801	9612267801	9612267801
3	1	Piston	9612369902	9612369902	9612369902
4	□ 1	O-ring, NBR	9611992367	9611992367	9611992367
5	1	End cap	9612271402	9612271402	9612271402
6	1	Retaining ring	9612268201	9612268201	9612268201
7	□ 1	O-ring, NBR	9611990035	9611990035	9611990035
10	□ 2	Needle bearing	9611991231	9611991231	9611991231
11	□ 2	Needle bearing	9611992355	9611992355	9611992355
12	□ 1	Thrust bearing	9611992347	9611992347	9611992347
13	2	Connex pin	9611992358	9611992358	9611992358
14	1	Thrust plate	9612280401	9612280401	9612280401
15	□ 1	O-ring, NBR	9611990079	9611990079	9611990079
16	2	Connex pin	9611992357	9611992357	9611992357
17	1	Coupling	9612282701	9612282702	9612282703
18	1	Indication pin	9612271901	9612271901	9612271901
20	□ 1	O-ring, NBR	22340421	22340421	22340421
21	1	Air fitting	9611991988	9611991988	9611991988
23	1	Threaded plug	9611991221	9611991221	9611991221
24	□ 1	Guiding band	9612369801	9612369801	9612369801
25	1	Spring	9612370001	9612370001	9612370001

Service kits for actuator

Service kits, air/air 9611923057

Parts marked with □ are included in the service kit.

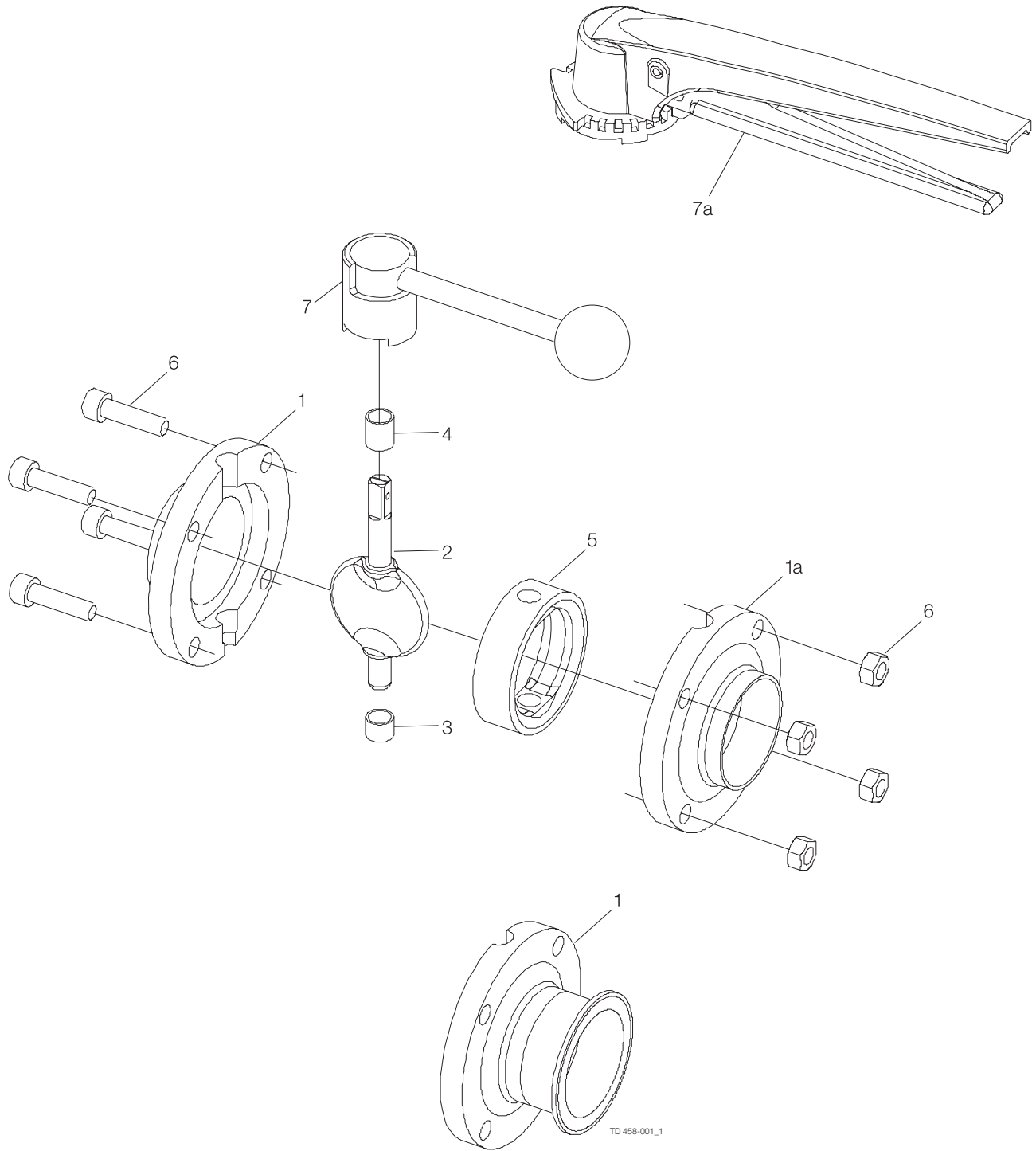
Recommended spare parts: service kit.



For valves without bushes (Period 8901-9212)

Pos	Qty	Denomination	DN 25	DN 32	DN 40	DN 50
			Disc □ 8	Disc □ 8	Disc □ 8	Disc □ 8
1	2	Valve body half, welding (AISI 304)	9612072701	9612072801	9612072901	9612073001
	2	Valve body half, welding (AISI 316 L)	9612072702	9612072802	9612072902	9612073002
1a	2	Valve body half, male part (AISI 304)	9612061301	9612061901	9612061401	9612061501
	2	Valve body half, male part (AISI 316 L)	9612061302	9612061902	9612061402	9612061502
2	1	Disc (AISI 316L)	9612073604	9612073704	9612073804	9612073904
5	1	Seal ring, (EPDM)	9612070001	9612070101	9612070201	9612070301
	1	Seal ring, (Silicone Q)	9612070901	9612071001	9612071101	9612071201
	1	Seal ring, (FPM)	9612071801	9612071901	9612072001	9612072101
6	1	Set screw, M6 + Nut M6	9611417340	9611417340	9611417340	
	1	Set screw, M8 + Nut M8				9611417350
	1	Set screw, M10 + Nut M10				
	1	Set screw, M10 + Nut M10 (6 pos.)				

Pos	Qty	Denomination	DN 65	DN 80	DN 100	DN 125
			Disc □ 10	Disc □ 10	Disc □ 12	Disc □ 14
1	2	Valve body half, welding (AISI 304)	9612073101	9612073201	9612073301	9612077401
	2	Valve body half, welding (AISI 316 L)	9612073102	9612073202	9612073302	9612077402
1a	2	Valve body half, male part (AISI 304)	9612061601	9612061701	9612061801	9612077201
	2	Valve body half, male part (AISI 316 L)	9612061602	9612061702	9612061802	9612077202
2	1	Disc (AISI 316L)	9612074004	9612074104	9612074204	9612076904
5	1	Seal ring, (EPDM)	9612070401	9612070501	9612070601	9612077101
	1	Seal ring, (Silicone Q)	9612071301	9612071401	9612071501	9612078301
	1	Seal ring, (FPM)	9612072201	9612072301	9612072401	9612078401
6	1	Set screw, M6 + Nut M6				
	1	Set screw, M8 + Nut M8	9611417360	9611417360		
	1	Set screw, M10 + Nut M10			9611417370	
	1	Set screw, M10 + Nut M10 (6 pos.)			9611417770	



Pos	Qty	Denomination	25 mm	38 mm	51 mm	63.5 mm	76.1 mm	101.6 mm
1	2	Valve body half, clamp						
1a	2	Valve body half, welding Please order new complete valve						
2	1	Disc Please order new complete valve						
3	<input type="checkbox"/>	1 Bush	9611411810	9611411730	9611411810	9611411890	9611411970	9611412060
4	<input type="checkbox"/>	1 Bush	9611413760	9611413760	9611413760	9611411890	9611411970	9611412050
5	<input type="checkbox"/>	1 Seal ring, (EPDM)	9611414130	9611414090	9611414100	9611414110	9611414060	9611414120
6	1	Set screw, M6 + nut M6	9611417340	9611417340				
	1	Set screw, M8 + nut M8			9611417350	9611417350	9611417360	9611417360
7	1	Handle						
7a	1	Lockable multiposition handle (only ISO) Please order new complete valve						

Pos	Qty	Denomination	DN25	DN40	DN50	DN65	DN80	DN100
1a	2	Valve body half, welding Please order new complete valve						
2	1	Disc Please order new complete valve						
3	<input type="checkbox"/>	1 Bush	9611411810	9611411730	9611411810	9611411890	9611411970	9611412060
4	<input type="checkbox"/>	1 Bush	9611413760	9611413760	9611413760	9611411890	9611411970	9611412050
5	<input type="checkbox"/>	1 Seal ring, (EPDM)	9612070001	9612070201	9612070301	9612070401	9612070501	9612070601
6	1	Set screw, M6 + nut M6	9611417340	9611417340				
	1	Set screw, M8 + nut M8			9611417350	9611417360	9611417360	
	1	Set screw, M10 + nut M10						9611417370
7	1	Handle Please order new complete valve						

Service Kits for product wetted parts, ISO

<input type="checkbox"/>	Service kit EPDM	9611923028	9611923204	9611923205	9611923031	9611923032	9611923033
		DN25	DN40	DN50	DN65	DN80	DN100

Service Kits for product wetted parts, DIN

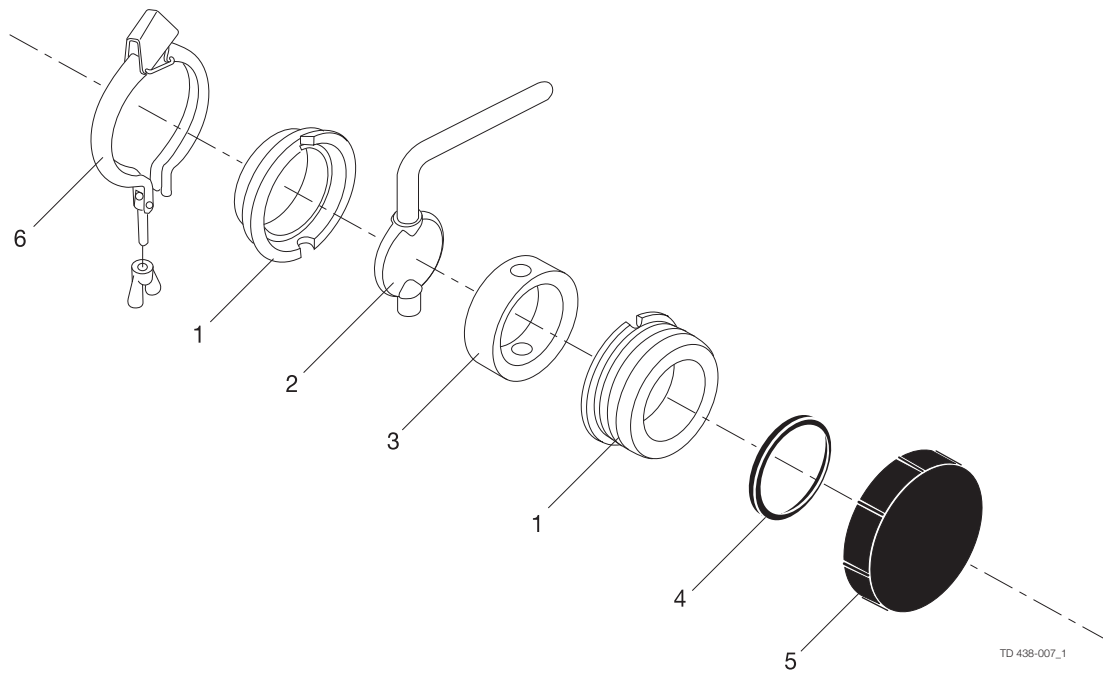
<input type="checkbox"/>	Service kit EPDM	9611923206	9611923207	9611923208	9611923079	9611923209	9611923218
--------------------------	----------------------------	------------	------------	------------	------------	------------	------------

Parts marked with are included in the service kits.

Recommended spare parts: Service kits.

Not manufactured anymore

1.4



Pos	Qty	Denomination	
1	1	Valve body, half, male - 3A	
		Valve body, half, Clamp	
		Valve body, half, male - SMS	
		Valve body, half, expanding end - ISO	
		Valve body, half, male - DIN, DN 50	
		Valve body, half, male - DIN, DN 40	
		Valve body, half, welding end - ISO	
		Valve body, half, male - DS	
		Valve body, half, male - BS	
		Valve body, half, welding end - DIN, DN 50	
2	1	Disc	9611411250
3	1	Seal ring, - Silicone (Std.)	9611411820
		Seal ring, - EPDM	9611414100
		Seal ring, - FPM	9611414103
4	1	Seal ring, - SMS, NBR	190604
		Seal ring, - SMS, EPDM	3131703785
		Seal ring, - DIN, DN 40, NBR	52734606
		Seal ring, - DIN, DN 40, EPDM	9611991271
		Seal ring, - DIN, DN 50, NBR	52734607
		Seal ring, - DIN, DN 50, EPDM	9611991272
		Seal ring, - DS, NBR	9611990122
		Seal ring, - BS, NBR	9611990147
		5	1
End cap, - DIN, DN 50	9611413550		
End cap, - DS	9611413560		
End cap, - BS			
End cap, - DIN, DN 40	9611413610		
End cap, - 3A			
6	1	Clamp-ring	9611310710

Recommended spare parts: Pos. 3, 4.

900-435

Not manufactured anymore

1.4



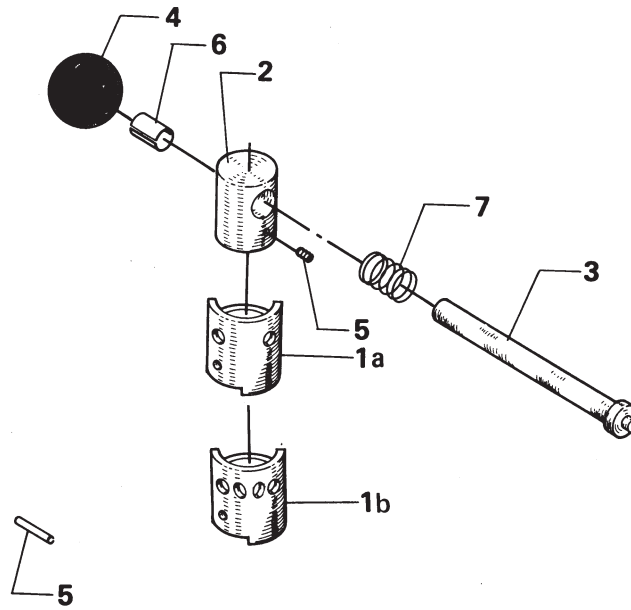
Pos	Qty	Denomination	
1	1	Valve body, half, male - 3A	
	1	Valve body, half, Clamp	
	1	Valve body, half, male - SMS	
	1	Valve body, half, expanding end - ISO	
	1	Valve body, half, male - DIN, NW 50	
	1	Valve body, half, welding end - ISO	
	1	Valve body, half, male - DS	
	1	Valve body, half, male - BS	
	1	Valve body, half, welding end - DIN, NW 50	
	2	1	Disc
3	1	Seal ring, - Silicone (Std.)	9611411820
	1	Seal ring, - EPDM	9611414100
	1	Seal ring, - FPM	9611414103
4	1	Seal ring, - SMS, NBR	190604
	1	Seal ring, - SMS, EPDM	3131703785
	1	Seal ring, - DIN, NBR	52734607
	1	Seal ring, - DIN, EPDM	9611991272
	1	End cap, - SMS	
5	1	End cap, - DIN	
	1	End cap, - DS	
	1	End cap, - BS	
	1	End cap, - 3A	
6	1	Clampring	
7	1	Spring	
8	1	Spring cover	
9	1	Thumb screw	
10	1	Handle with PVC grip	

Recommended spare parts: Pos. 3, 4, 7, 8, 9.

900-449

Not manufactured anymore

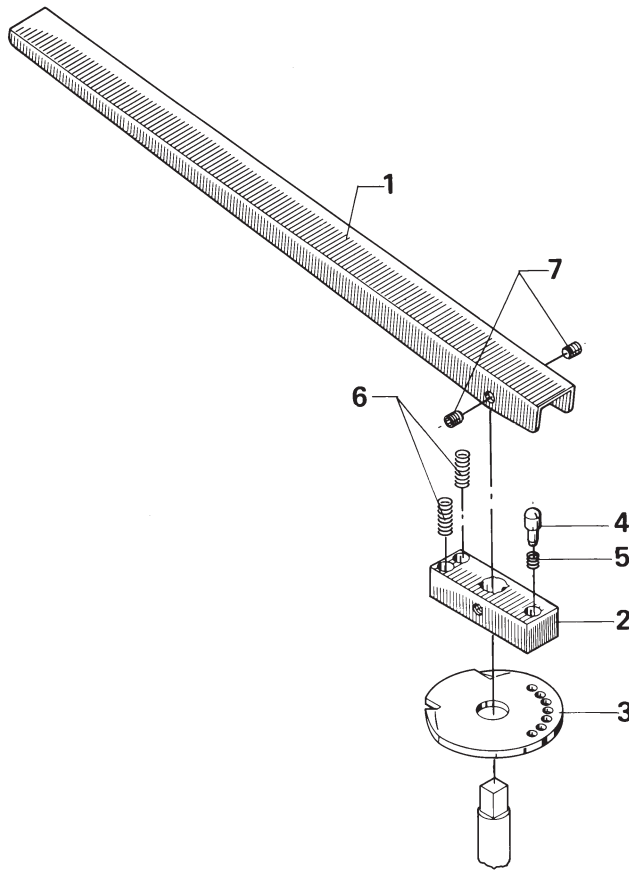
1.4



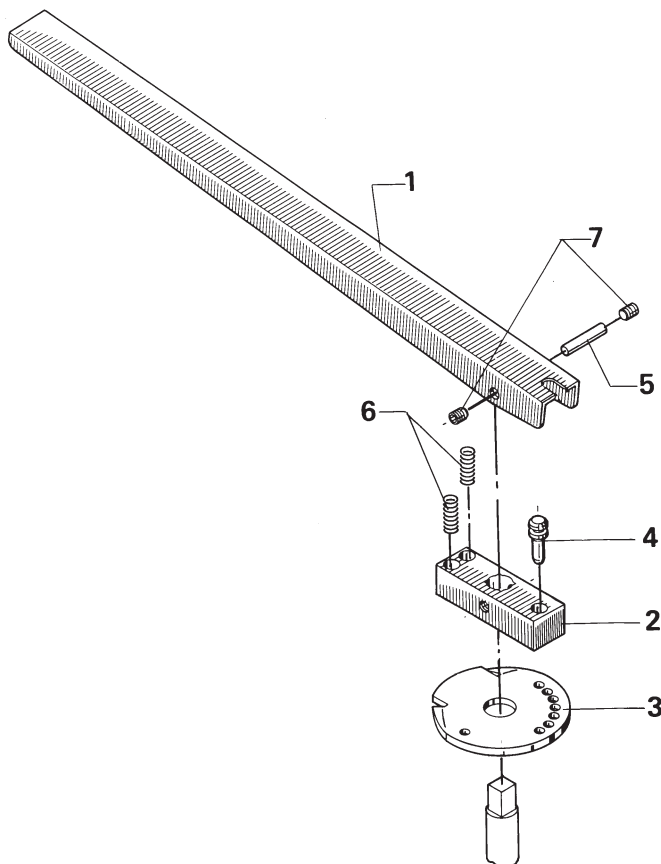
Pos	Qty	Denomination	2 pos 4 pos.	38-51 mm +	76-101.6 mm
				63.5 mm NW 40-50-65	NW 80-110
				9611411360	9611411370
				9611411361	9611411372
1a	1	Location cap with 2 pos.		9611411380	9611411430
1b	1	Location cap with 4 pos.		9611417390	9611417400
2	1	Transfer block for M5 , (Period 8011 - 8112)			
	1	Transfer block for M8, (Period 8201 - 8801)			
3	1	Handle bar		9611411400	9611411401
4	1	Ball			
5	1	Pointed screw, M5 x 6 (Period 8011 - 8112)		9611990296	9611990296
	1	Pointed screw, M8 x 8 (Period 8201 - 8801)		9611991699	9611991699
	1	Connex-pin (Period 7501 - 8008)			
6	1	Limit ring			
7	2	Spring			

Not manufactured anymore

1.4



Mark I

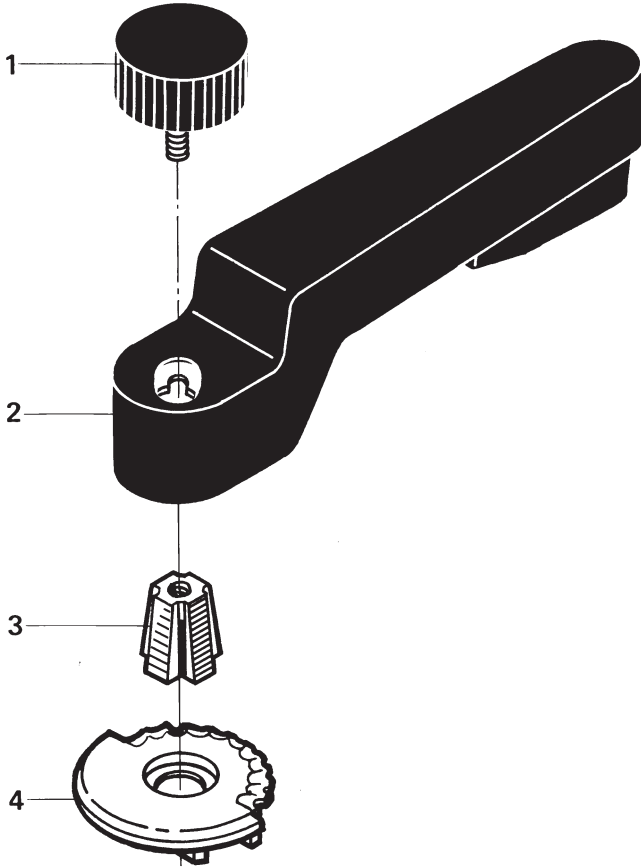


Mark II

Pos	Qty	Denomination	Mark I	Mark II
			9611416580 (Period 8110- 8309)	9611416580 (Period 8309-)
1	1	Handle bar		
2	2	Transfer block		
3	1	Position plate		
4	1	Detent pin		
5	1	Spring		
	1	Notch pin		
6	2	Spring		
7	2	Threadet pin		

Not manufactured anymore

1.4

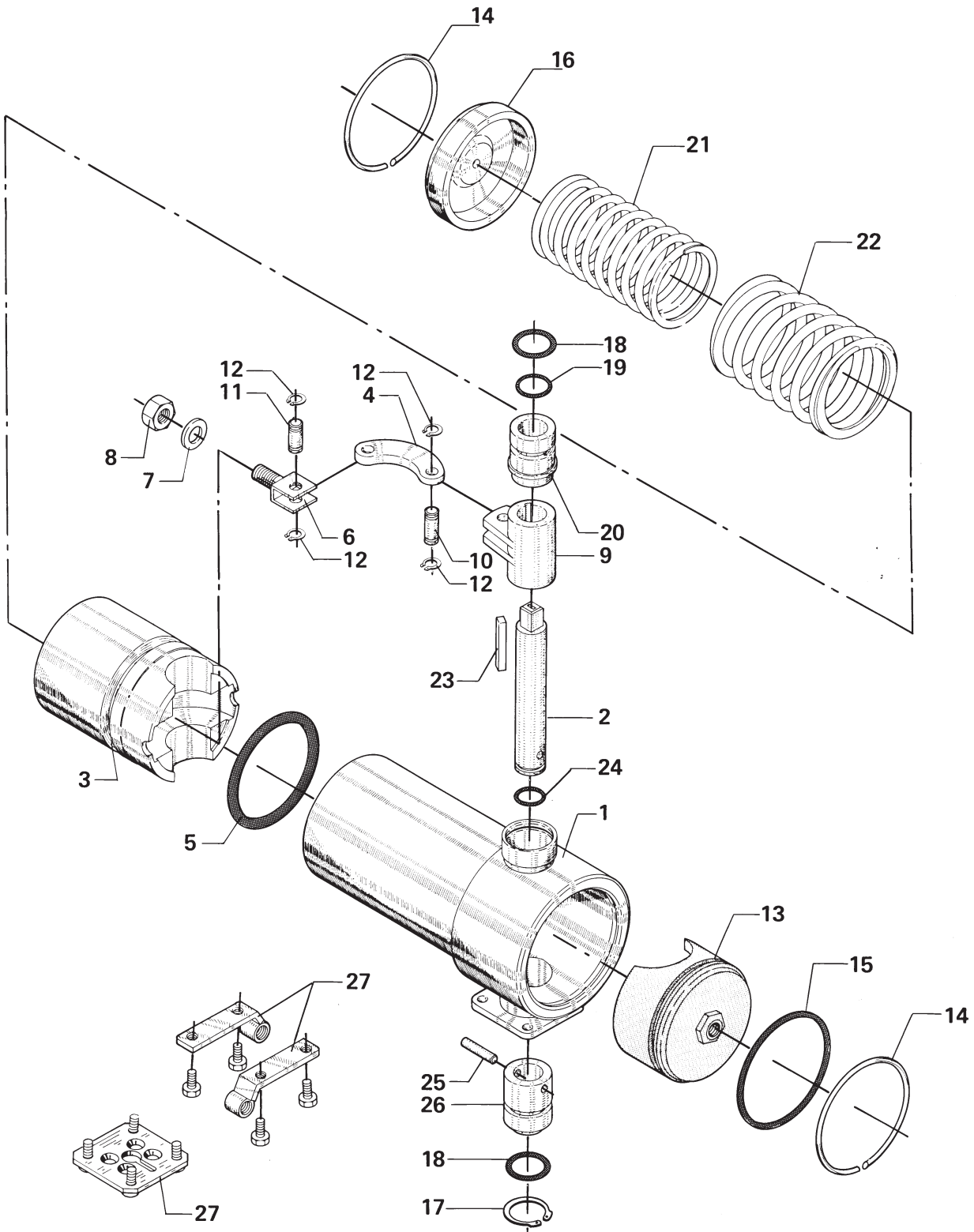


Pos	Qty	Denomination	961240001	961240002
			ø8 mm	ø10 mm
1	1	Locking screw		
2	1	Handle		
3	1	Quadrangle spacer bushing		
4	1	Bracket for positioning		

Recommended spare parts: Pos. 3

Not manufactured anymore

1.4

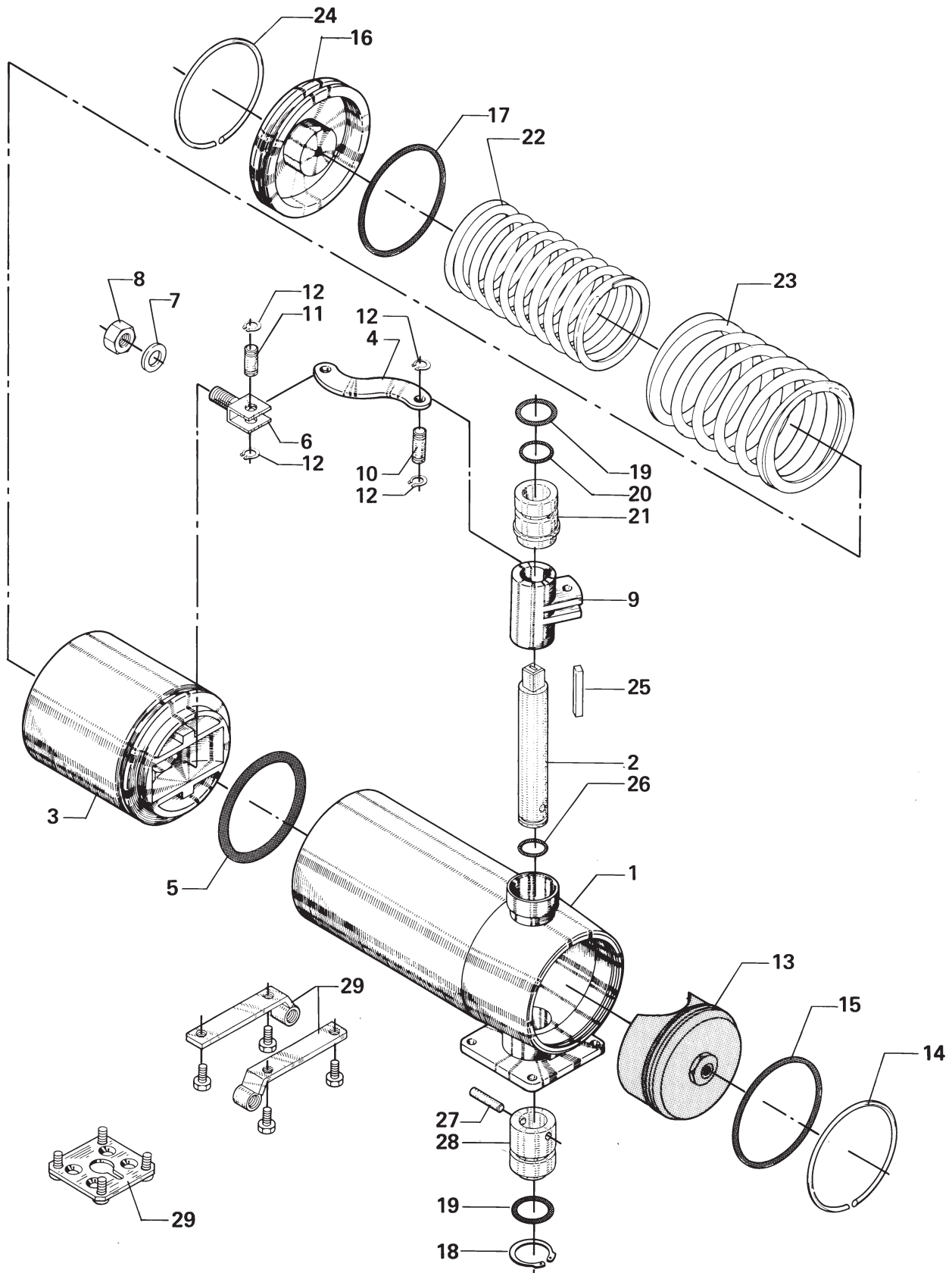


Pos	Qty	Denomination	9611410530 38-51-63.5 mm NW 40-NW 50-NW 65
AISI 304			
1	1	Air Cylinder	
2	1	Shaft	
3	1	Piston	
4	1	Strap plate	
5	1	O-ring, NBR	9611990052
6	1	Yoke	
7	1	Washer	9611990786
8	1	Safety nut	
9	1	Moment arm	
10	1	Long pin	
11	1	Short pin	
12	4	Seegerring	
13	1	End cover	
14	2	Retaining ring	9611402021
15	1	O-ring, NBR	9611990396
16	1	End cover	
17	1	Seegerring	
18	2	O-ring, NBR	9611990398
19	1	O-ring, NBR	9611990088
20	1	Bronze bearing	
21	1	Spring - \varnothing 5.5 mm	
22	1	Spring - \varnothing 6.5 mm	
23	1	Fitted key lock	
24	1	O-ring, NBR	
25	1	Connex pin	
26	1	Bronze bearing	
27	1	Mounting size - 38 mm - NW 40, (1 set)	
	1	Mounting size - 51 mm - NW 50, (1 set)	
	1	Mounting size - 63.5mm - NW 65, (1 set)	
	1	Mounting plate (Period 7501-7902)	
	4	Cheese head screw, M6x16	
	1	Bush	9611411730
	4	Countersunk screw M6x8	
	4	Nut, M6	9611990252

Recommended spare parts: Pos. 5, 15, 18, 19.

Not manufactured anymore

1.4



961141397
 76 - 101.6 mm
 NW 80-NW
 100

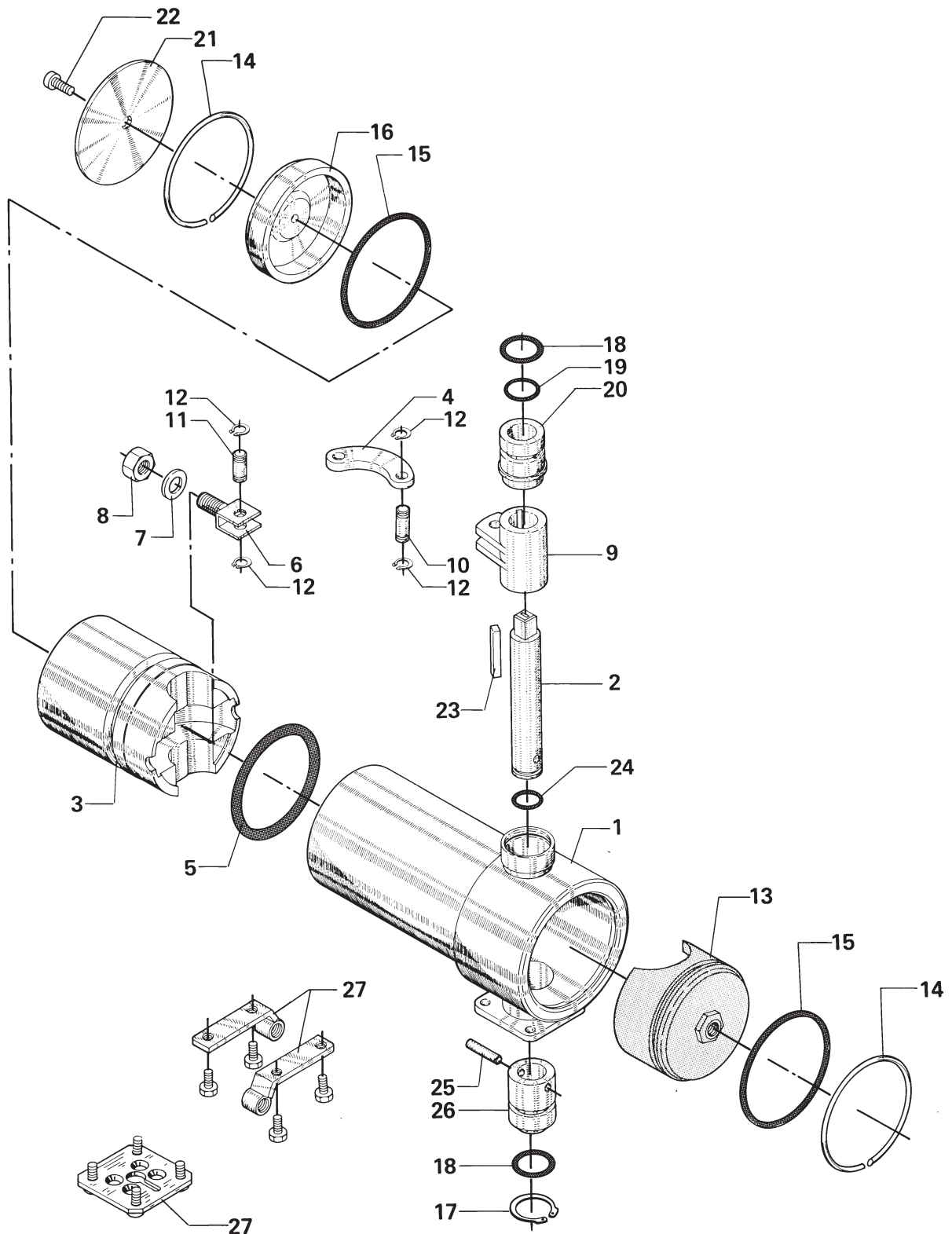
Pos	Qty	Denomination	
1	1	Air Cylinder	
2	1	Shaft	
3	1	Piston	
4	1	Strap plate	
5	1	O-ring, NBR	
6	1	Yoke	
7	1	Washer	9611990786
8	1	Safety nut	
9	1	Moment arm	
10	1	Long pin	
11	1	Short pin	
12	4	Seegerring	
13	1	End cover	
14	1	Retaining ring	9611402021
15	1	O-ring, NBR	9611990396
16	1	End cover	
17	1	O-ring, NBR	
18	1	Seegerring	
19	2	O-ring, NBR	9611990398
20	1	O-ring, NBR	9611990088
21	1	Bronze bearing	
22	1	Spring - ø5.5 mm	
23	1	Spring - ø6.5 mm	
24	1	Retaining ring	
25	1	Fitted key lock	
26	1	O-ring, NBR	
27	1	Connex pin	
28	1	Bearing	
29	1	Mounting size - 76 mm, (1 set)	
	1	Mounting size - NW80, (1 set)	
	1	Mounting size - NW 100-101.6 mm, (1 set)	
	1	Mounting plate (Period 7501-7902)	
	4	Cheese head screw, M6 x 16	
	1	Bush	
	4	Countersunk screw M6 x 10	
	4	Nut, M6	9611990252

Recommended spare parts: pos. 5, 15, 19, 20.

2017/04

Not manufactured anymore

1.4

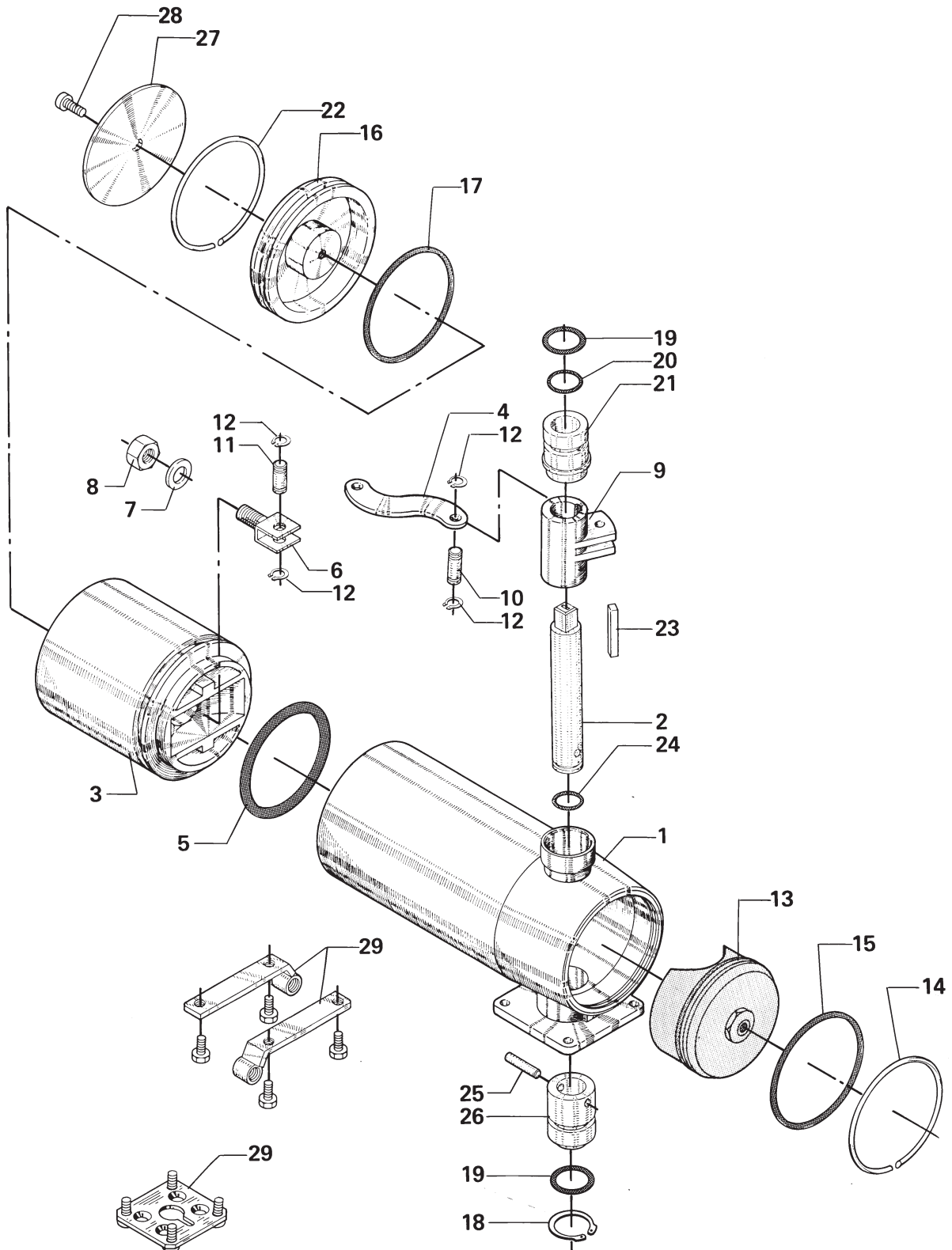


Pos	Qty	Denomination	961141435 38-51-63.5 mm NW 40-NW 50-NW 65
AISI 304			
1	1	Air Cylinder	
2	1	Shaft	
3	1	Piston (Hostaform)	
4	1	Strap plate	
5	1	O-ring, NBR	9611990052
	1	K-ring (Period 7506-7711)	
6	1	Yoke	
7	1	Washer	9611990786
8	1	Safety nut	
9	1	Moment arm	
10	1	961141107	
11	1	961141108	
12	4	9611990784	
13	1	961141083	
14	2	9611402021	9611402021
15	2	O-ring, NBR	9611990396
16	1	End cover	
17	1	Seegerring	
18	2	O-ring, NBR	9611990398
19	1	O-ring, NBR	9611990088
20	1	Bronze bearing	
21	1	Retaining plate	9611414370
22	1	1/8" Thread-plug	9611991221
23	1	Fitted key lock	
24	1	O-ring, NBR	
25	1	Connex pin	
26	1	Bronze bearing	
27	1	Mounting size - 38 mm - NW 40, (1 set)	
	1	Mounting size - 51 mm - NW 50, (1 set)	
	1	Mounting size - 65.5 mm - NW 65, (1 set)	
	1	Mounting plate (Period 7501-7902)	
	4	Cheese head screw, M6 x 16	
	1	Bush	9611411730
	4	Countersunk screw M6 x 8	
	4	Nut, M6	9611990252

Recommended spare parts: pos. 5, 15, 19.

Not manufactured anymore

1.4



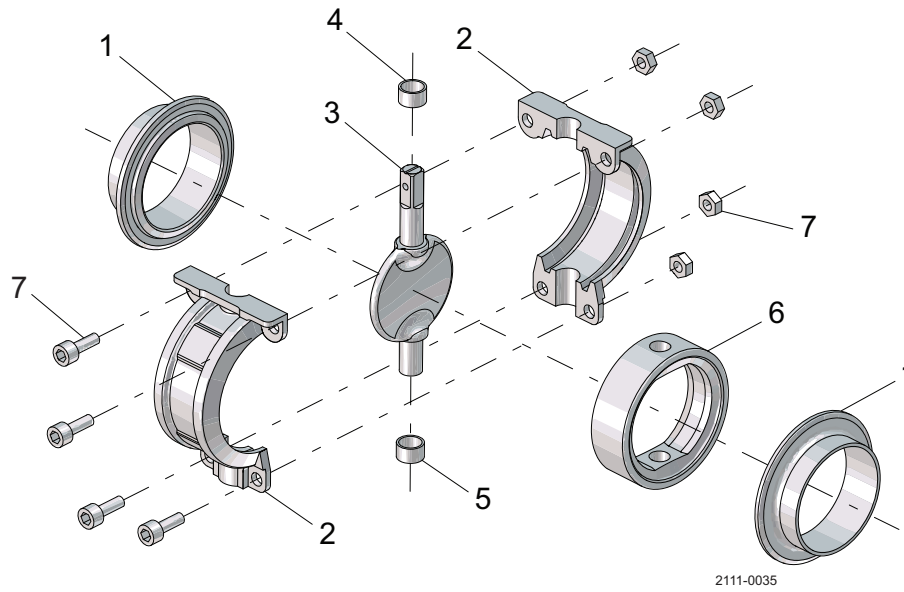
Pos	Qty	Denomination	9611414360 76 - 101.6 mm NW 80-NW 100
1	1	Air Cylinder	
2	1	Shaft	
4	1	Strap plate	
5	1	O-ring, NBR	
6	1	Yoke	
7	1	Washer	9611990786
8	1	Safety nut	
9	1	Moment arm	
10	1	Long pin	
11	1	Short pin	
12	4	Seegerring	
13	1	End cover	
14	1	Retaining ring	9611402021
15	1	O-ring, NBR	9611990396
16	1	End cover	
17	1	O-ring, NBR	
18	1	Seegerring	
19	2	O-ring, NBR	9611990398
20	1	O-ring, NBR	9611990088
21	1	Bronze bearing	
22	1	Retaining ring	
23	1	Fitted key lock	
24	1	O-ring, NBR	
25	1	Connex pin	
26	1	Bronze bearing	
27	1	Retaining plate	
28	1	Thread-plug	9611991221
29	1	Mounting size - 76 mm, (1 set)	
	1	Mounting size - NW80, (1 set)	
	1	Mounting size - NW100-101.6 mm, (1 set)	
	1	Mounting plate (Period 7501-7902)	
	4	Cheese head screw, M6 x 16	
	1	Bush	
	4	Countersunk screw M6 x 10	
	4	Nut, M6	9611990252

Recommended spare parts: pos. 5, 19, 20.

2017/04

Not manufactured anymore

1.4



Pos	Qty Denomination	25 mm	38 mm	51 mm	63.5 mm	76 mm	101.6 mm
		□8	□8	□8	□8	□10	□12
1	2 Valve body half, AISI 304L	9613862401	9613862501	9613862601	9613862701	9613862801	9613862901
	2 Valve body half, AISI 316L	9613862402	9613862502	9613862602	9613862702	9613862802	9613862902
2	2 Clamp, 304	9613861801	9613861901	9613862001	9613862101	9613862201	9613862301
3	1 Disc, AISI 304	9611413680	9611411690	9611411770	9611411850	9611411930	9612046301
	1 Disc, AISI 316	9611413681	9611411691	9611411771	9611411851	9611411931	9612046302
4 ▲	1 Bush	9611411810	9611411730	9611411810	9611411890	9611411970	9611412060
5 ▲	1 Bush	9611413760	9611411730	9611411810	9611411890	9611411970	9611412050
6 ▲	1 Seal ring, EPDM	9611414130	9611414090	9611414100	9611414110	9611414060	9611414120
	1 Seal ring, Silicone Q	9611413720	9611411740	9611411820	9611411900	9611411980	9611412070
	1 Seal ring, Viton FPM	9611414133	9611414093	9611414103	9611414113	9611414063	9611414123
	1 Seal ring, HNBR	9611414134	9611414094	9611414104	9611414114	9611414064	9611414124
7	1 Screws and nuts set	9613868801	9613868801	9613868801	9613868802	9613868802	9613868803

Service kits

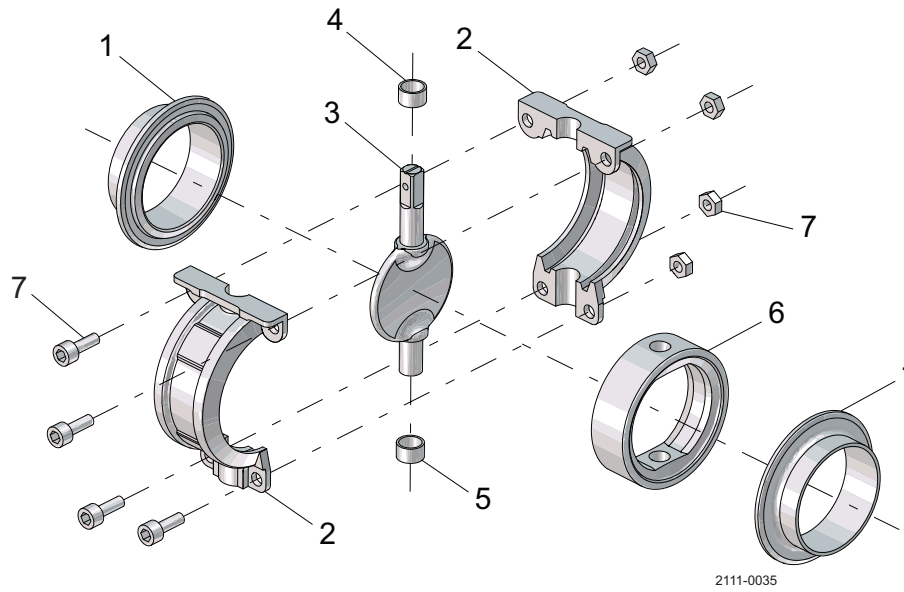
		25 mm	38 mm	51 mm	63.5 mm	76 mm	101.6 mm
		□8	□8	□8	□8	□10	□12
▲	Service kit, EPDM	9611923365	9611923366	9611923367	9611923368	9611923369	9611923370
▲	Service kit, Q	9611923371	9611923372	9611923373	9611923374	9611923375	9611923376
▲	Service kit, FPM	9611923377	9611923378	9611923379	9611923380	9611923381	9611923382
▲	Service kit, HNBR	9611923383	9611923384	9611923385	9611923386	9611923387	9611923388

Parts marked with ▲ are included in the service kits.

Recommended spare parts: Service kits.

Not manufactured anymore

1.4



Pos	Qty Denomination	DN25	DN40	DN50	DN65	DN80	DN100
		□8	□8	□8	□8	□10	□12
1	2 Valve body half, welding, AISI 304L						
	9613867401	9613867601	9613867701	9613867801	9613867901	9613868001
	2 Valve body half, welding, AISI 316L	9613867402	9613867602	9613867702	9613867802	9613867902	9613868002
2	2 Clamp , 304	9613866701	9613866901	9613867001	9613867101	9613867201	9613867301
3	1 Disc, AISI 304L	9612073604	9612073804	9612073904	9612074004	9612074104	9612074204
4	• 1 Bush	9611411810	9611411810	9611411890	9611411890	9611411890	9611411970
5	• 1 Bush	9611411810	9611411810	9611411890	9611411890	9611411890	9611411970
6	• 1 Seal ring, EPDM	9612070001	9612070201	9612070301	9612070401	9612070501	9612070601
	1 Seal ring, Silicone Q	9612070901	9612071101	9612071201	9612071301	9612071401	9612071501
	1 Seal ring, FPM	9612071801	9612072001	9612072101	9612072201	9612072301	9612072401
	1 Seal ring , HNBR	9612070002	9612070202	9612070302	9612070402	9612070502	9612070602
7	1 Screws and nuts set	9613868801	9613868801	9613868801	9613868802	9613868802	9613868803

Service kits

		DN25	DN40	DN50	DN65	DN80	DN100
		□8	□8	□8	□8	□10	□12
•	Service kit, EPDM	9611923389	9611923390	9611923391	9611923392	9611923393	9611923394
•	Service kit, Q	9611923395	9611923396	9611923397	9611923398	9611923399	9611923400
•	Service kit, FPM	9611923401	9611923402	9611923403	9611923404	9611923405	9611923406
•	Service kit, HNBR	9611923407	9611923408	9611923409	9611923410	9611923411	9611923412

Parts marked with • are included in the service kits.

Recommended spare parts: Service kits.

This page is intentionally left blank