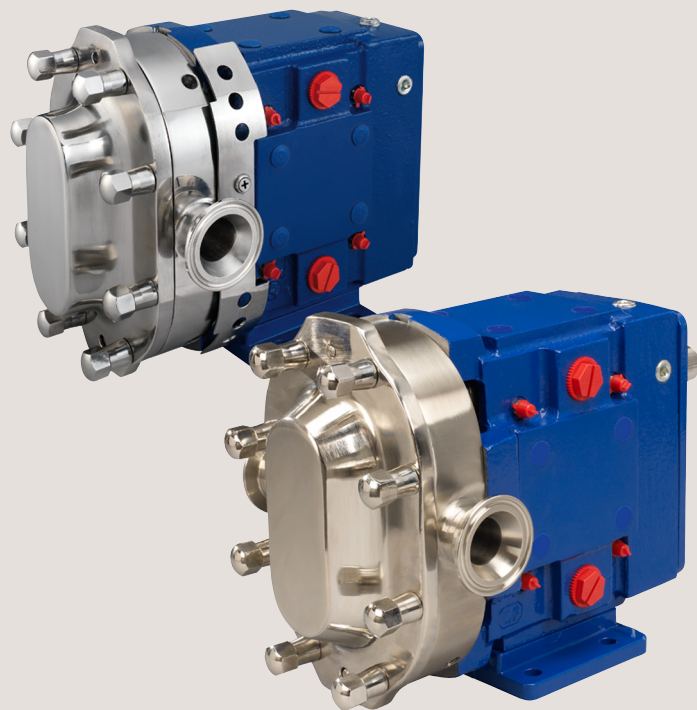




Spare Parts

SCPP2 Circumferential Piston Pump



ESE01743-EN7 2019-08

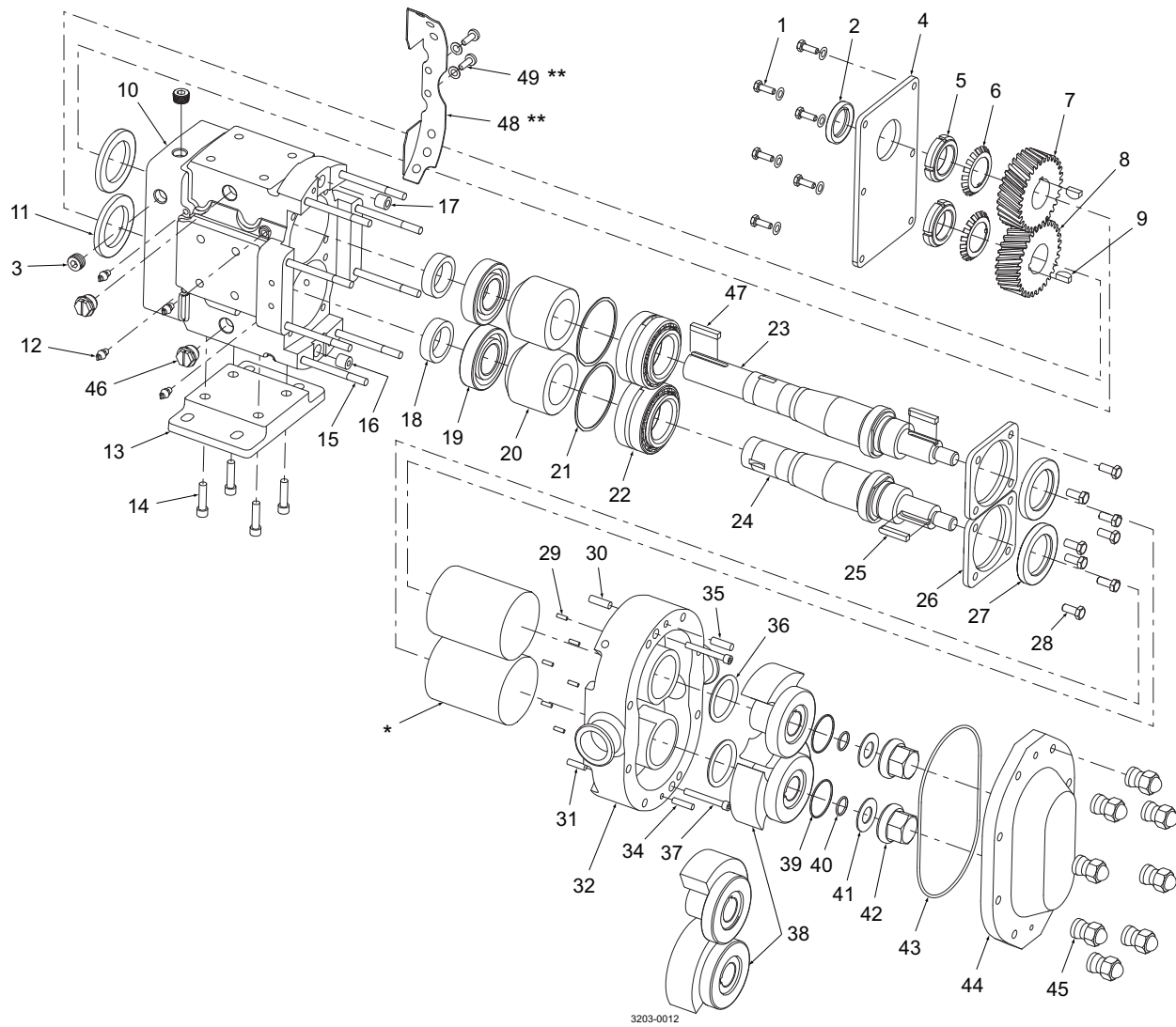
Original manual

Table of contents

The information herein is correct at the time of issue but may be subject to change without prior notice

1. SCPP2/006/015/018	4
2. SCPP2/030	8
3. SCPP2/045/060/130	12
4. SCPP2/180/220	16
5. SCPP2/210	20
6. SCPP2/320	24
7. SCPP2/006/015/018 - Sealing	28
8. SCPP2/030 - Sealing	30
9. SCPP2/045/060/130 - Sealing	32
10. SCPP2/180/220 - Sealing	34
11. SCPP2/210 - Sealing	36
12. SCPP2/320 - Sealing	38

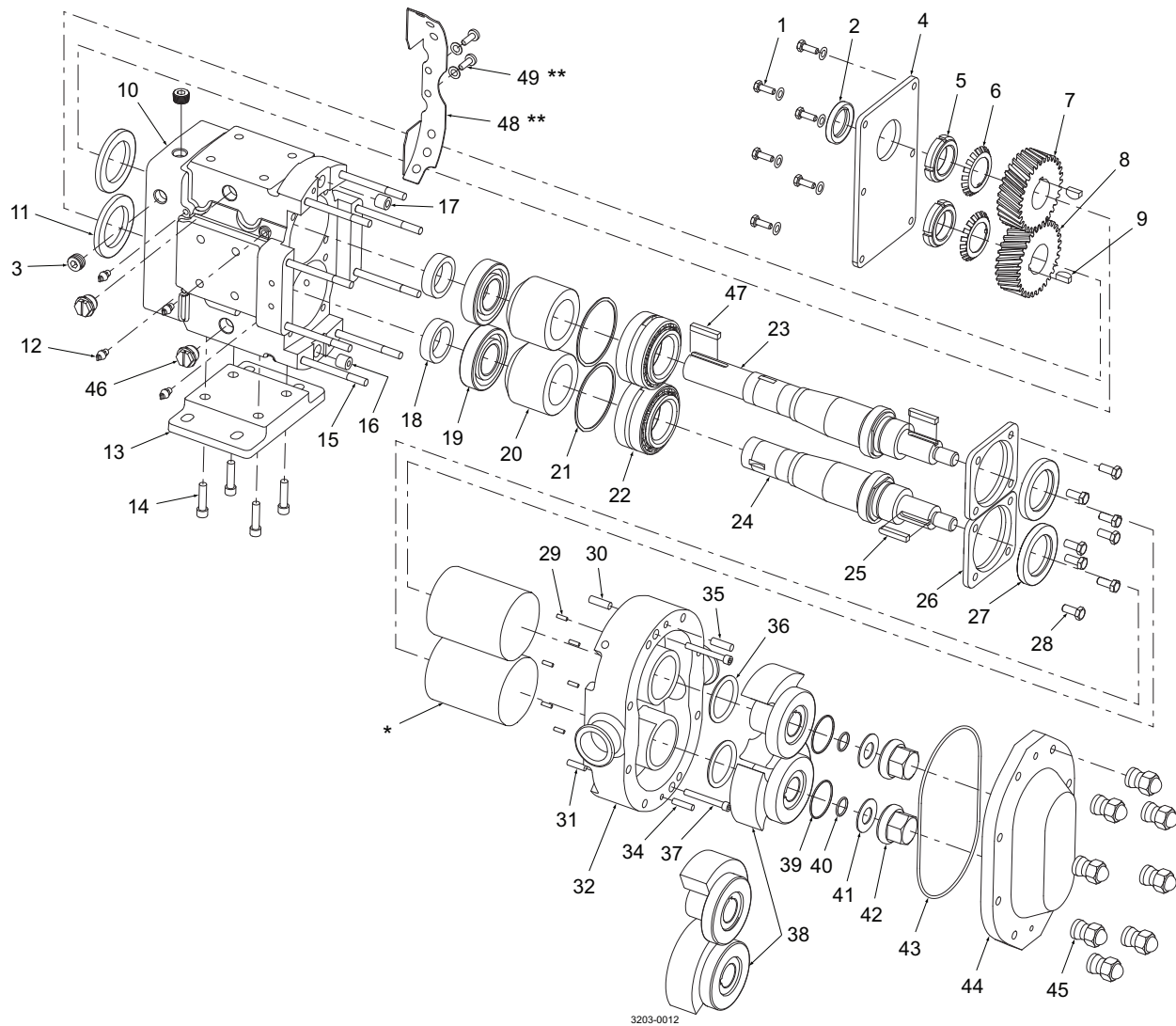
- * See seal repair parts
- ** Required for European CE compliance only
(not mandatory for USA market)



3203-0012

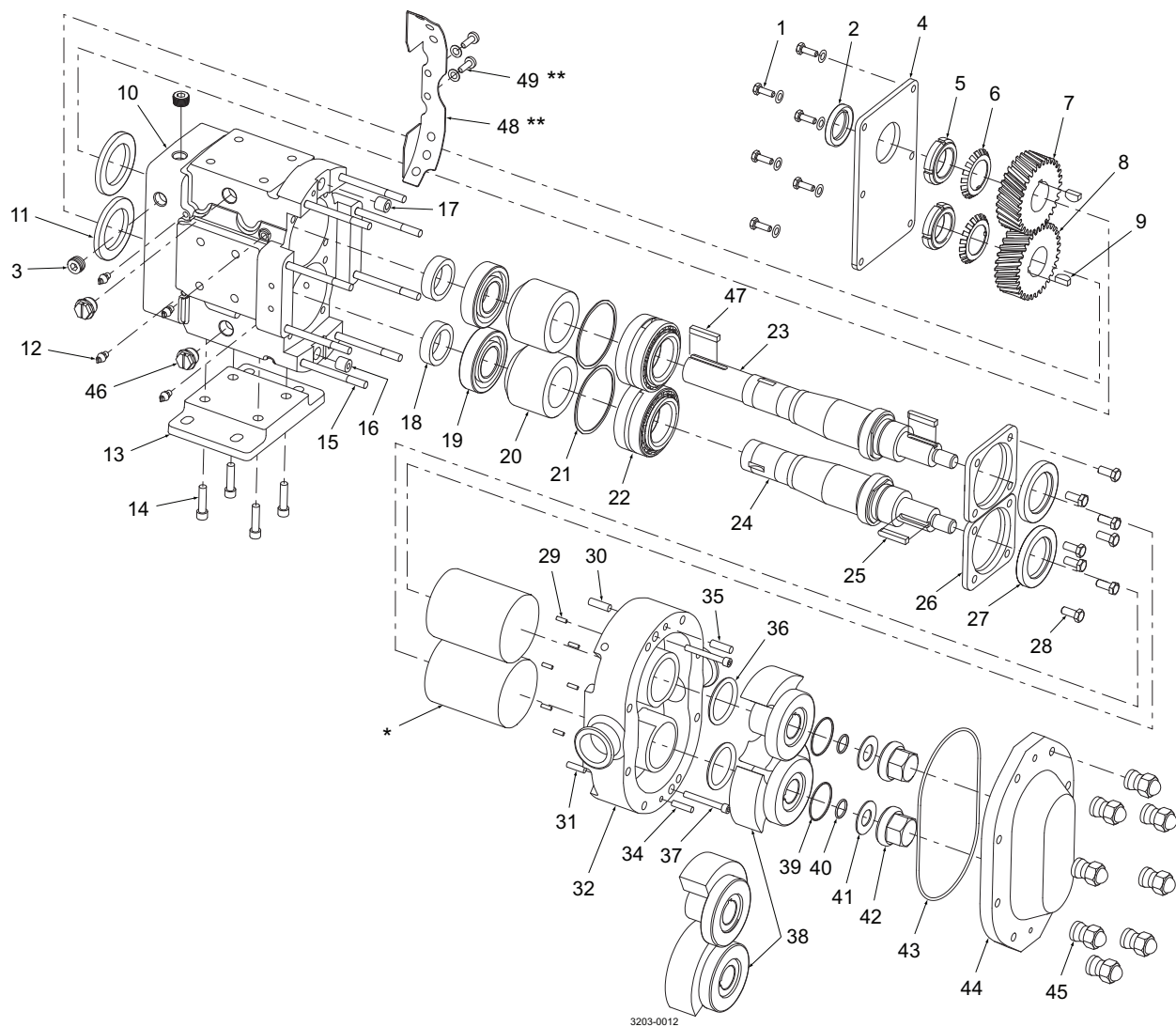
Pos	Qty	Denomination	Reference Part	
			No.	Item Number
1	6	Capscrew, Gear Case Cover, SS		
1b	6	Washer GC Cover Capscrew, SS		9639001102
2	1	Oil Seal - Gear Case Cover	000030016	9639002101
3	4	Oil Level, Drain Plug, SS		
4	1	Gear Case Cover, Steel (includes installed seal)		
	1	Gear Case Cover, SS (includes installed seal)		
5	2	Lock Nut - Gear	STD236005	9639005101
6	2	Lock Washer - Gear	STD136005	9639006101
7	1	Gear Drive Shaft	015007001	9639007101
8	1	Gear Short Shaft	015007002	9639008101
9	2	Key, Gear	015037000	9639009101
10	1	Gear Case, Cl		
	1	Gear Case, SS	101831	9639010102
11	2	Oil Seal Rear	000030017	9639011101
12	8	Grease Fitting 1/8	BD00092000	9639012101
	8	Grease Fitting 1/8, SS		9639012102
13	1	Mounting Shim (Gear Case Base), Cl	020110000	9639013101
	1	Mounting Shim (Gear Case Base), SS		
14	4	Socket Head Capscrew, Mounting Shim, SS		9639014101
15	8	Stud, 006-015	AD0011000	9639015101
	8	Stud Jacketed Cover, 006-015	AD0011J00	9639015103
	8	Stud, 018		9639215107
	8	Stud Jacketed Cover, 018		
16	1	Dowel Bushing, Lower	AD0116100	9639016101
17	1	Dowel Bushing, Upper	AD0116000	9639017101
18	2	Spacer Gear to Rear Bearing		
19	2	Rear Bearing	015035000	9639019101
20	2	Spacer Bearing		
21	2	Shim Kit	117889	9639021101
22	2	Front Bearing	101714	9639022101
23	1	Drive Shaft (316L SS), 006-015	108405	9639223101
	1	Drive Shaft (316L SS), 018		
24	1	Auxillary Shaft (316L SS), 006-015	108406	9639224101
	1	Auxillary Shaft (316L SS), 018	108408	9639224102
25	2	Rotor Key, 006-015	101817	9639225102
	2	Rotor Key, 018	101819	9639225101
26	2	Bearing Retainer Front		
	2	Bearing Retainer Front (previous version)		
27	2	Grease Seal Front Brg Ret	121679	9639027101
	2	Grease Seal Front Brg Ret (previous version)	101716	9639027103
28	8	Button Head Cap Screw, Bearing Retainer, SS		
29	6	Stop Pin, Seal	101718	9639229101
30	1	Dowel Pin, Upper Gear Case Side	AD0040R00	9639030101
31	1	Dowel Pin, Lower Gear Case Side	AD0040R10	9639031101
32	1	Rotorcase, 006 - 1" Triclamp		
	1	Rotorcase, 006 - 1.1/2" Triclamp		9639232102
	1	Rotorcase, 015 - 1.1/2" Triclamp		
	1	Rotorcase, 018 - 1.1/2" Triclamp		9639232105
	1	Rotorcase, 018 - 2" Triclamp		
	1	Rotorcase for Flush, 006 - 1" Triclamp		9639232111
	1	Rotorcase for Flush, 006 - 1.1/2" Triclamp		
	1	Rotorcase for Flush, 015 - 1.1/2" Triclamp		9639232113
	1	Rotorcase for Flush, 018 - 1.1/2" Triclamp		
	1	Rotorcase for Flush, 018 - 2" Triclamp		9639232116
34	1	Dowel (lower cover)	AD0040100	9639034101
35	1	Dowel (upper cover)	AD0040000	9639035101
37	2	Rotorcase Retaining Screw, 006-015	30523	9639037101
	2	Rotorcase Retaining Screw, 018		9639037102
38	2	Rotor Twin Blade, Non-Galling Alloy, 006	101870	9639238101
	2	Rotor Twin Blade, Non-Galling Alloy, 015	101882	9639238102
	2	Rotor Twin Blade, Non-Galling Alloy, 018	101894	9639238103

- * See seal repair parts
- ** Required for European CE compliance only
(not mandatory for USA market)



Pos	Qty	Denomination	Reference Part		
			No.	Item Number	
41	2	Washer, Belleville	101691	9639241101	
42	2	Rotor Nut	101804	9639242101	
43	1	Cover O-ring - NBR	N70249	9639243101	
	1	Cover O-ring - EPDM	E70249	9639243102	
	1	Cover O-ring - FPM	V70249	9639243103	
44	1	Pump Cover	101842	9639244101	
	1	Pump Cover - Jacketed			
45	8	Hex Nut	108369	9639045102	
	8	Wing Nut	105850	9639045101	
46	4	Large Cleanout Plug		9639046101	
47	1	Drive Shaft Key, 3/16 X 3/16 X 1 1/8	000037001	9639047101	
48	2	Seal Guards, SS			
49	4	Fastner, Seal Guard		9639049101	
49a	4	Washer, Seal Guard		9639049102	
	4	O-ring Removal Tool	AD0096001	9639090101	
	4	Oil, Magna-Plate 460-FG, 1-gal	000140003	9639090301	
	4	Grease micro plate #2 (1 lb tube)	000140002	9639090401	
	4	Sealant RTV	000142301	9639090501	
	8	Grease Fitting Cap, Red Plastic		9639090601	
	12	Plastic Cap Tapped Holes, Mounting Pad			
	2	Eye Bolt	30360	9639090801	
			EPDM	NBR	FPM
Service kit for SCPP2/006/015/018					
◇		Service Kit - Single Mechanical Seal SC/C	9639203006	9639203001	9639203011
◇		Service kit - Single Mechanical Seal SC/SC	9639203007	9639203002	9639203012
◇		Service Kit - Single Mechanical Seal CER/C	9639203008	9639203003	9639203013
□		Service kit - Double Mechanical Seal SC/SC/C	9639203009	9639203004	9639203014
O-Ring kit for SCPP2/006/015/018					
◆		O-Ring kit	9639201002	9639201001	9639201003
Rotor Hub O-ring kit for SCPP2/006/015/018					
◆		Rotor Hub O-ring kit	9639236102	9639236101	9639236103
◆		Rotor Hub O-ring kit	9639239102	9639239101	9639239103
◆		Rotor Hub O-ring kit	9639240102	9639240101	9639240103

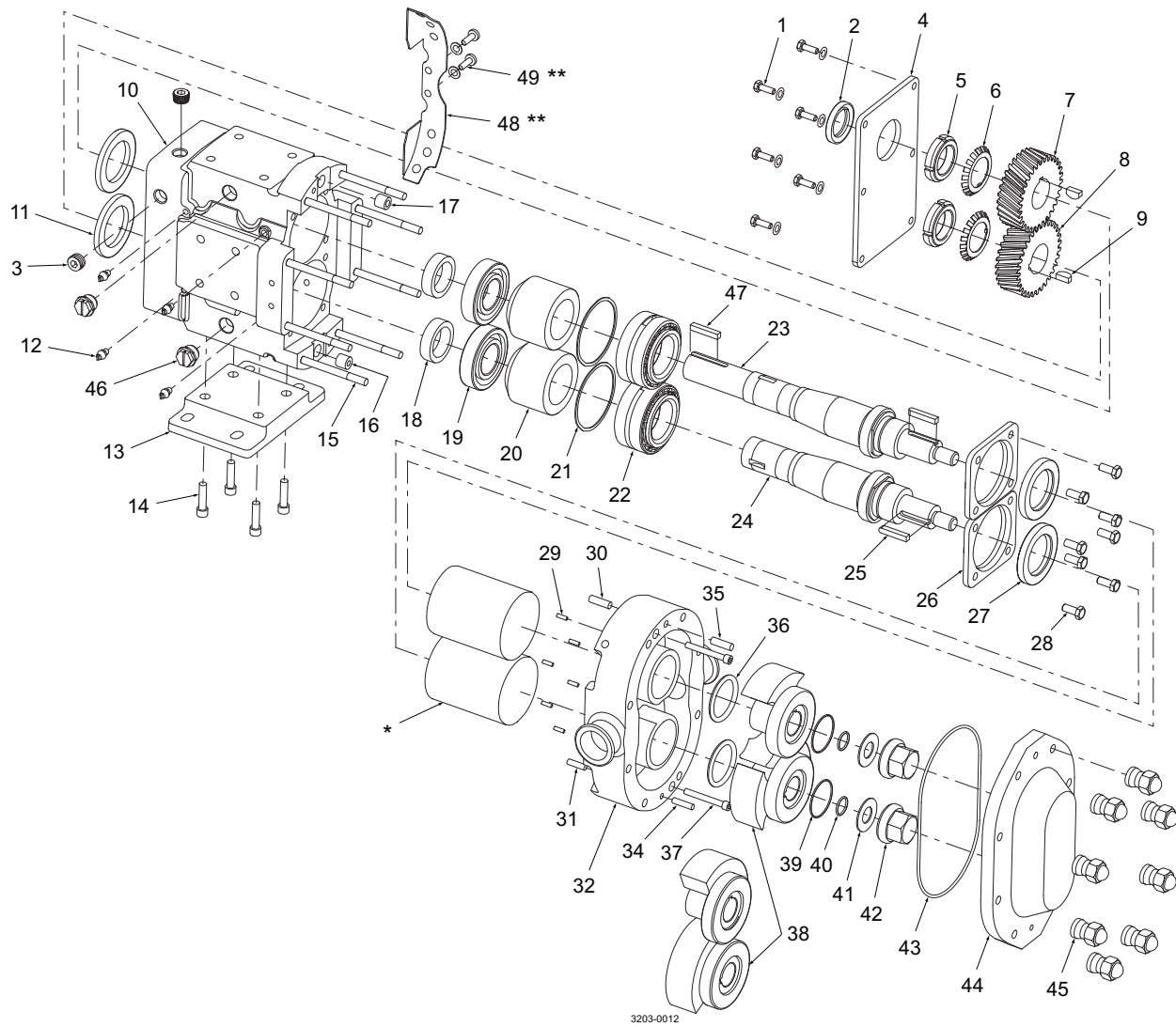
- * See seal repair parts
- ** Required for European CE compliance only (not mandatory for USA market)



3203-0012

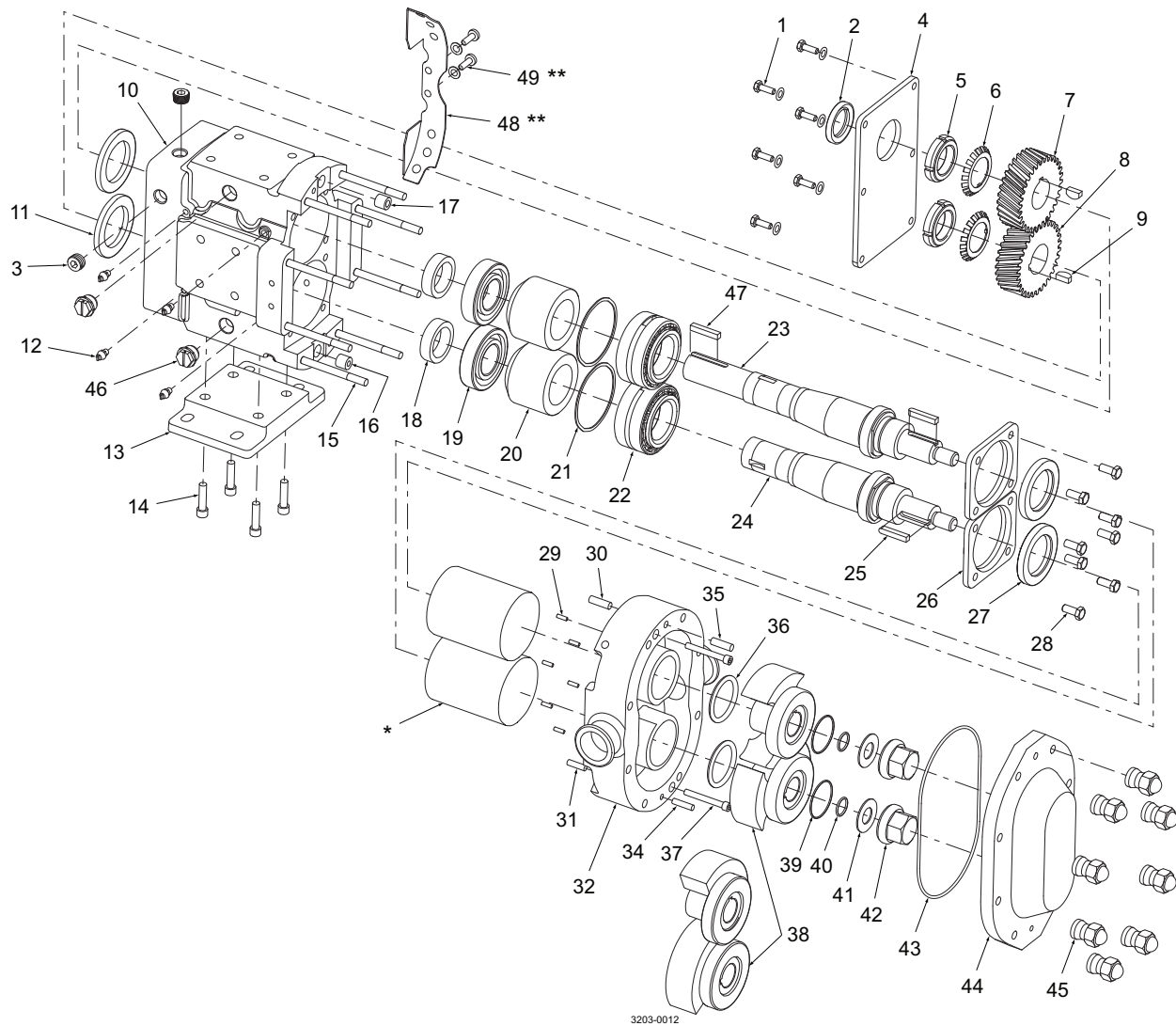
Pos	Qty	Denomination	Reference Part	
			No.	Item Number
1	6	Capscrew, Gear Case Cover, SS		
1a	6	Washer GC Cover Capscrew, SS		9639001102
2	1	Oil Seal - Gear Case Cover	000030013	9639002201
3	4	Oil Level, Drain Plug, SS		9639003201
4	1	Gear Case Cover, Steel (includes installed seal)		
	1	Gear Case Cover, SS (includes installed seal)		
5	2	Lock Nut - Gear	CD0036N00	9639005201
6	2	Lock Washer - Gear	CD0036W00	9639006201
7	1	Gear Drive Shaft		
8	1	Gear Short Shaft	030007002	9639008201
9	2	Key, Gear	BD0037000	9639009201
10	1	Gear Case, Cl		
	1	Gear Case, SS	101833	9639010202
11	1	Oil Seal Rear	000030014	9639011201
12	8	Grease Fitting 1/8	BD00092000	9639012101
	8	Grease Fitting 1/8, SS		9639012102
13	1	Mounting Shim (Gear Case Base), Cl	040110000	9639013201
	1	Mounting Shim (Gear Case Base), SS		
14	4	Capscrew, Gear Case Base, SS		
15	8	Stud, 030	108842	9639015201
	8	Stud Jacketed cover, 030	108845	9639015203
16	1	Dowel Busing Lower		
17	1	Dowel Busing, Upper		
18	2	Spacer Gear to Rear Bearing	030055000	9639018201
19	2	Rear Bearing	030035000	9639019201
20	2	Spacer Bearing	101815	9639020201
21	2	Shim Kit		9639021201
22	2	Front Bearing	101715	9639022201
23	1	Drive Shaft (17-4PH)	108409	9639223201
24	1	Auxillary Shaft (17-4PH)	108410	9639224201
25	2	Rotor Key, 030	101821	9639225201
26	2	Bearing Retainer Front	120333	9639026201
	2	Bearing Retainer Front (previous version)	101811	9639026203
27	2	Grease Seal Front Brg Ret	121680	9639027201
	2	Grease Seal Front Brg Ret (previous version)		
28	8	Button Head Cap Screw, Bearing Retainer, SS	3029	9639028201
29	6	Stop Pin, Seal	101719	9639229201
30	1	Dowel Pin, Upper Gear Case Side	BD0040200	9639030201
31	1	Dowel Pin, Lower Gear Case Side	BD0040300	9639031201
32	1	Rotorcase, 030 - 1.1/2" Triclamp		
	1	Rotorcase, 030 - 2" Triclamp		9639232202
	1	Rotorcase for Flush, 030 - 1.1/2" Triclamp		9639232211
	1	Rotorcase for Flush, 030 - 2" Triclamp		9639232212
34	1	Dowel Pin, Lower Cover Side	BD0040100	9639034201
35	1	Dowel Pin, Upper Cover Side	BD0040000	9639035201
37	2	Rotorcase Retaining Screw, 030		9639037201
38	2	Rotor Twin Blade, Non-Galling Alloy, 030	102151	9639238201

- * See seal repair parts
- ** Required for European CE compliance only
(not mandatory for USA market)



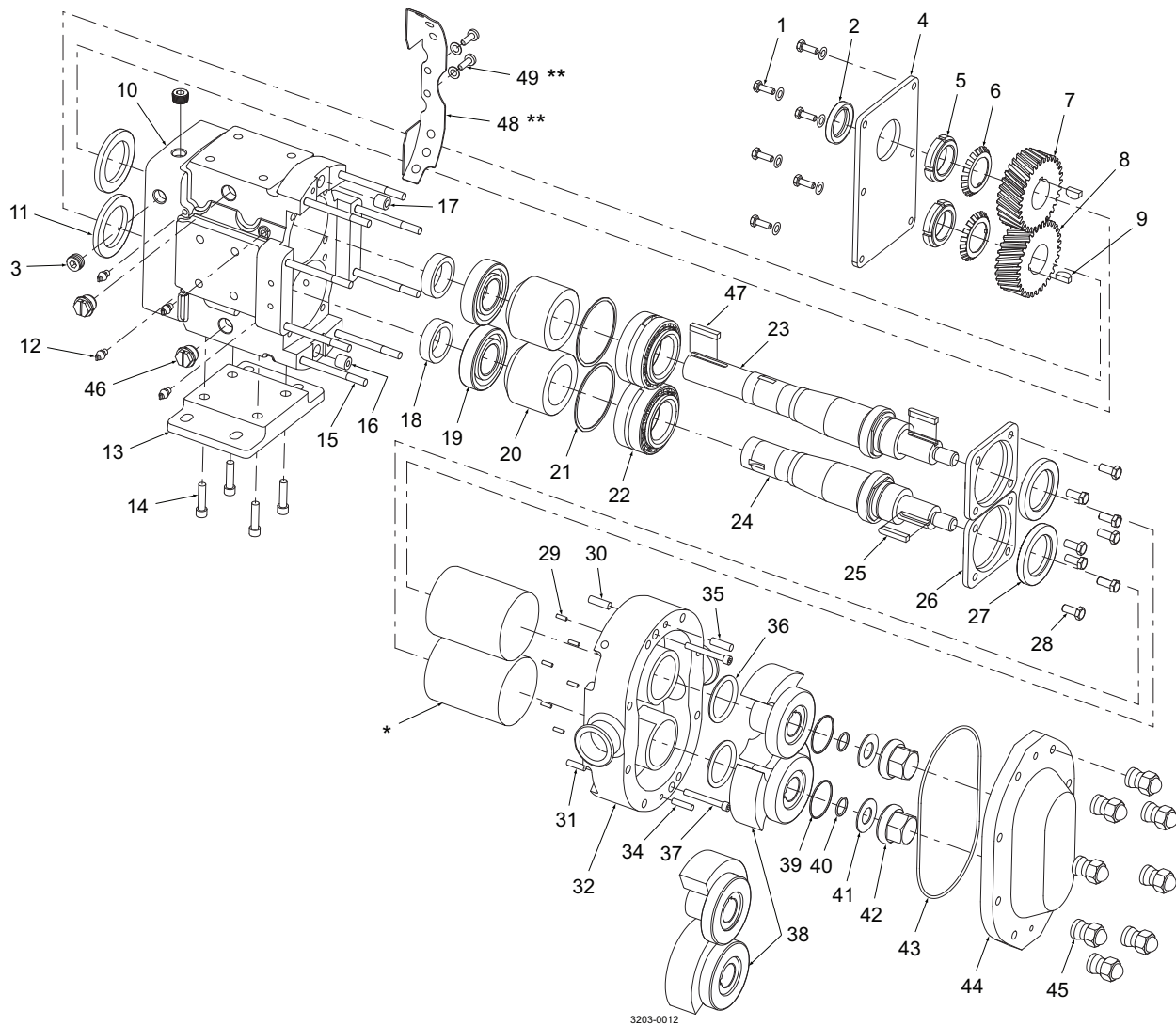
Pos	Qty	Denomination	Reference Part		
			No.	Item Number	
41	2	Washer, Belleville	101692	9639241201	
42	2	Rotor Nut	101805	9639242201	
43	1	Cover O-ring - NBR	N70259	9639243201	
	1	Cover O-ring - EPDM	E70259	9639243202	
	1	Cover O-ring - FPM	V70259	9639243203	
44	1	Pump Cover	101845	9639244201	
	1	Pump Cover - Jacketed			
45	8	Hex Nut	108370	9639045202	
	8	Wing Nut	105851	9639045201	
46	4	Large Cleanout Plug		9639046201	
47	1	Drive Shaft Key, 1/4 X 1/4 X 1 3/4	000037002	9639047201	
48	2	Seal Guards, SS		9639048201	
49	4	Fastner, Seal Guard		9639049101	
49a	4	Washer, Seal Guard		9639049102	
	4	O-ring Removal Tool	AD0096001	9639090101	
	4	Oil, Magna-Plate 460-FG, 1-gal	000140003	9639090301	
	4	Grease micro plate #2 (1 lb tube)	000140002	9639090401	
	4	Sealant RTV	000142301	9639090501	
	8	Grease Fitting Cap, Red Plastic		9639090601	
	12	Plastic Cap Tapped Holes, Mounting Pad	000121002	9639090702	
	2	Eye Bolt	30360	9639090801	
			EPDM	NBR	FPM
Service kit for SCPP2/030					
◇		Service kit - Single Mechanical Seal SC/C	9639203021	9639203016	9639203026
◇		Service kit - Single Mechanical Seal SC/SC	9639203022	9639203017	9639203027
◇		Service kit - Single Mechanical Seal CER/C	9639203023	9639203018	9639203028
□		Service kit - Double Mechanical Seal SC/SC/C	9639203024	9639203019	9639203029
□		Service kit - Double Mechanical Seal SC/SC/C	9639203025	9639203020	9639203030
O-Ring kit for SCPP2/030					
◆		O-Ring kit	9639201005	9639201004	9639201006
Rotor Hub O-ring kit for SCPP2/030					
◆		Rotor Hub O-ring kit	9639236202	9639236201	9639236203
◆		Rotor Hub O-ring kit	9639239202	9639239201	9639239203
◆		Rotor Hub O-ring kit	9639240202	9639240201	9639240203

- * See seal repair parts
- ** Required for European CE compliance only
(not mandatory for USA market)



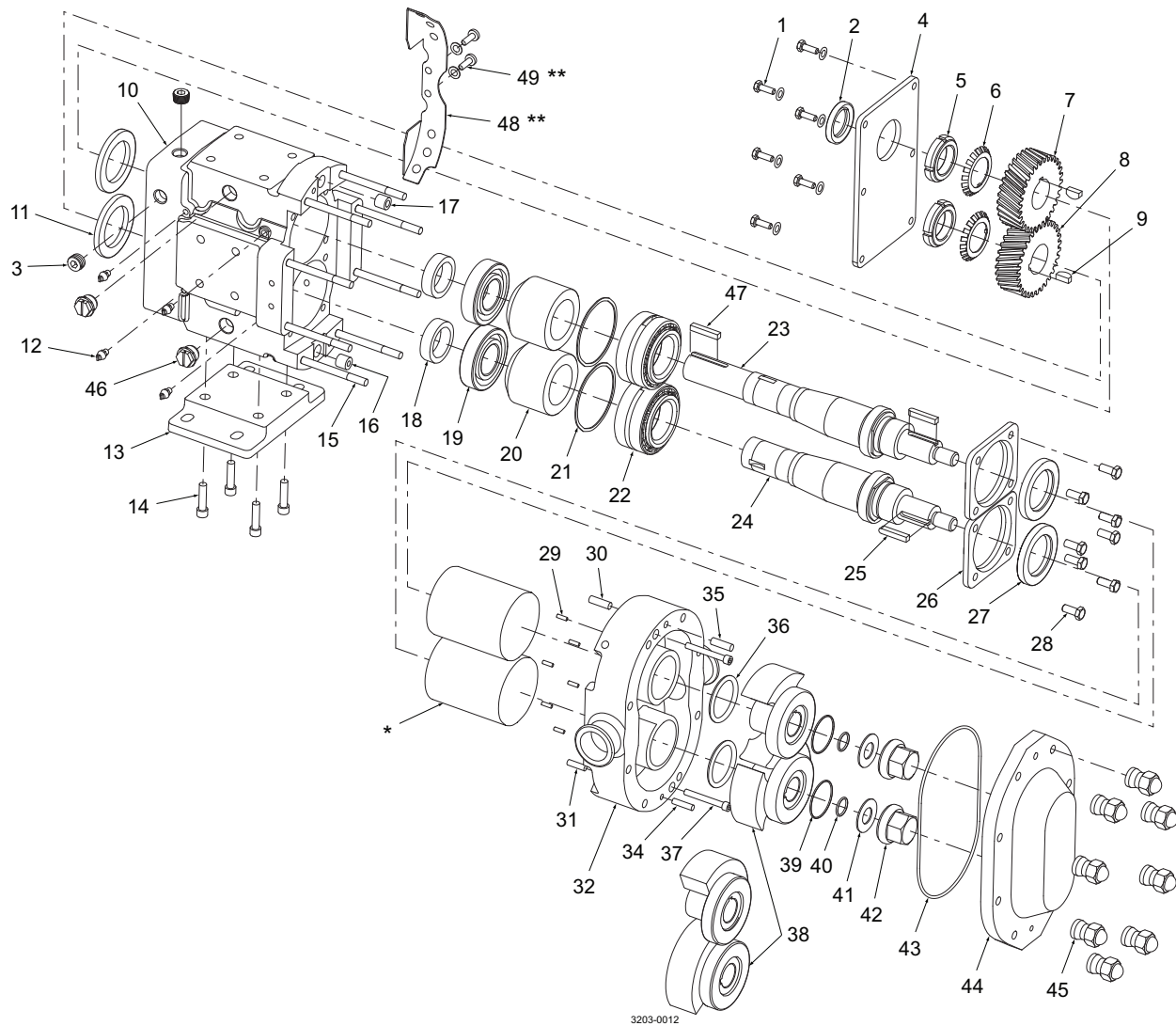
Pos	Qty	Denomination	Reference Part	
			No.	Item Number
1	6	Capscrew, Gear Case Cover, SS	3050	9639001301
1a	6	Washer GC Cover Capscrew, SS		9639001302
2	1	Oil Seal - Gear Case Cover	000030012	9639002301
3	4	Oil Level, Drain Plug, SS		9639003201
4	1	Gear Case Cover, Steel (includes installed seal)		
	1	Gear Case Cover, SS (includes installed seal)		
5	2	Lock Nut - Gear	STD236009	9639005301
6	2	Lock Washer - Gear	STD136009	9639006301
7	1	Gear Drive Shaft	060007001	9639007301
8	1	Gear Short Shaft	060007002	9639008301
9	2	Key, Gear	060037000	9639009301
10	1	Gear Case, Cl		
	1	Gear Case, SS	101834	9639010302
11	2	Oil Seal Rear	000030011	9639011301
12	8	Grease Fitting 1/8	BD0092000	9639012101
	8	Grease Fitting 1/8, SS		9639012102
13	1	Mounting Shim (Gear Case Base), Cl	070110000	9639013301
	1	Mounting Shim (Gear Case Base), SS		
14	4	Socket Head Capscrew, Mounting Shim, SS		9639014301
15	8	Stud, 045		9639015308
	8	Stud Jacketed cover, 045		9639015309
	8	Stud, 060	108843	9639015301
	8	Stud Jacketed Cover, 060	108846	9639015303
	8	Stud, 130	130011000	9639015302
	8	Stud Jacketed Cover, 130	130011001	9639015304
16	1	Dowel Bushing, Lower	CD0116100	9639016301
17	1	Dowel (lower cover)	CD0116000	9639017301
18	2	Spacer Gear to Rear Bearing	107187	9639018301
19	2	Rear Bearing	107186	9639019301
20	2	Spacer Bearing	060055003	9639020301
21	2	Shim Kit	117891	9639021301
22	2	Front Bearing	060036000	9639022301
23	1	Drive Shaft (17-4PH), 045		
	1	Drive Shaft (17-4PH), 060	108411	9639223302
	1	Drive Shaft (17-4PH), 130	108413	9639223303
24	1	Auxillary Shaft (17-4PH), 045	110022	9639224301
	1	Auxillary Shaft (17-4PH), 060	108412	9639224302
	1	Auxillary Shaft (17-4PH), 130	108414	9639224303
25	2	Rotor Key, 045	110926	9639225301
	2	Rotor Key, 060	101823	9639225302
	2	Rotor Key, 130	101825	9639225303
26	2	Bearing Retainer Front	121828	9639026301
	2	Bearing Retainer Front (previous version)	101812	9639026302
27	2	Grease Seal Front Brg Ret	101829	9639227303
28	8	Button Head Cap Screw, Bearing Retainer, SS		
29	6	Stop Pin, Seal	101720	9639229301
30	1	Dowel Pin, Upper Gear Case	CD0040R00	9639030301
31	1	Dowel Pin, Lower Gear Case Side	CD0040R10	9639031301
32	1	Rotorcase, 045 - 2" Triclamp		
	1	Rotorcase, 060 - 2.1/2" Triclamp		9639232303
	1	Rotorcase, 060 - 3" Triclamp		
	1	Rotorcase, 130 - 3" Triclamp		
	1	Rotorcase for Flush, 045 - 2" Triclamp		
	1	Rotorcase for Flush, 060 - 2.1/2" Triclamp		9639232313
	1	Rotorcase for Flush, 130 - 3" Triclamp		
34	1	Dowel Pin, Lower Cover Side	CD0040100	9639034301
35	1	Dowel Pin, Upper Cover Side	CD0040000	9639035301
37	2	Rotorcase Retaining Screw, 045		9639037301
	2	Rotorcase Retaining Screw, 060		9639037302
	2	Rotorcase Retaining Screw, 130		9639037303
38	2	Rotor Twin Blade, Non-Galling Alloy, 045	107252	9639238301
	2	Rotor Twin Blade, Non-Galling Alloy, 060	102163	9639238302
	2	Rotor Twin Blade, Non-Galling Alloy, 130	102175	9639238303

- * See seal repair parts
- ** Required for European CE compliance only
(not mandatory for USA market)



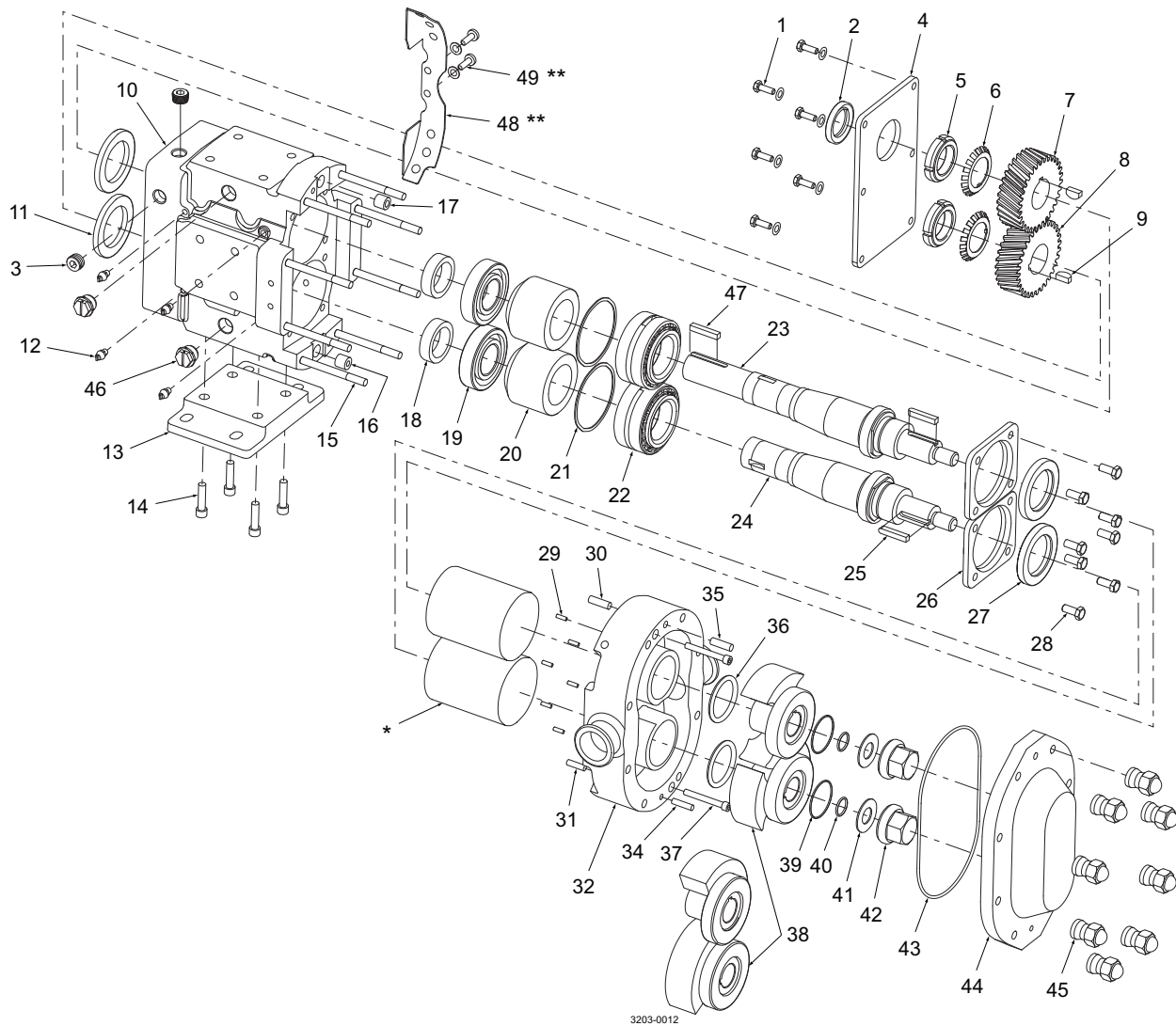
Pos	Qty	Denomination	Reference Part		
			No.	Item Number	
41	2	Washer, Belleville	101693	9639241301	
42	2	Rotor Nut	101806	9639242301	
43	1	Cover O-ring - NBR	N70373	9639243301	
	1	Cover O-ring - EPDM	E70373	9639243302	
	1	Cover O-ring - FPM	V70373	9639243303	
44	1	Pump Cover	101848	9639244301	
	1	Pump Cover - Jacketed	107668	9639244302	
45	8	Hex Nut	108371	9639045302	
	8	Wing Nut	105852	9639045301	
46	4	Large Cleanout Plug		9639046301	
47	1	Drive Shaft Key, 3/8 X 3/8 X 1 5/8	000037003	9639047301	
48	2	Seal Guards, SS		9639048301	
49	4	Fastner, Seal Guard		9639049101	
49a	4	Washer, Seal Guard		9639049102	
	4	O-ring Removal Tool	AD0096001	9639090101	
	4	Oil, Magna-Plate 460-FG, 1-gal	000140003	9639090301	
	4	Grease micro plate #2 (1 lb tube)	000140002	9639090401	
	4	Sealant RTV	000142301	9639090501	
	8	Grease Fitting Cap, Red Plastic		9639090601	
	12	Plastic Cap Tapped Holes, Mounting Pad	000121001	9639090703	
	2	Eye Bolt	30360	9639090801	
			EPDM	NBR	FPM
Service kit for SCPP2/045/060/130					
◇		Service kit - Single Mechanical Seal SC/C	9639203036	9639203031	9639203041
◇		Service kit - Single Mechanical Seal SC/SC	9639203037	9639203032	9639203042
◇		Service kit - Single Mechanical Seal CER/C	9639203038	9639203033	9639203043
□		Service kit - Double Mechanical Seal SC/SC/C	9639203039	9639203034	9639203044
□		Service kit - Double Mechanical Seal SC/SC/C	9639203040	9639203035	9639203045
O-Ring kit for SCPP2/045/060/130					
◆		O-Ring kit	9639201008	9639201007	9639201009
Rotor Hub O-ring kit for SCPP2/045/060/130					
◆		Rotor Hub O-ring kit	9639236302	9639236301	9639236303
◆		Rotor Hub O-ring kit	9639239302	9639239301	9639239303
◆		Rotor Hub O-ring kit	9639240302	9639240301	9639240303

- * See seal repair parts
- ** Required for European CE compliance only
(not mandatory for USA market)



Pos	Qty	Denomination	Reference Part	
			No.	Item Number
1	6	Capscrew, Gear Case Cover, SS	3050	9639001301
1a	6	Washer GC Cover Capscrew, SS		9639001302
2	1	Oil Seal - Gear Case Cover	STD030006	9639002401
3	4	Oil Level, Drain Plug		9639003301
4	1	Gear Case Cover, Steel (includes installed seal)		
5	2	Lock Nut - Gear	STD236011	9639005401
6	2	Lock Washer - Gear	STD136011	9639006401
7	1	Gear Drive Shaft	110932	9639007401
8	1	Gear Short Shaft	110932	9639008401
9	2	Key, Gear	200037000	9639009401
10	1	Gear Case, Cl		
11	2	Oil Seal Rear	STD119002	9639011401
12	8	Grease Fitting 1/8	BD0092000	9639012101
13	1	Mounting Shim (Gear Case Base), Cl	230110000	9639013401
14	4	Socket Head Capscrew, GC Base		
15	8	Stud, 220	108844	9639015401
	8	Stud, 180	107243	9639015402
16	1	Dowel Bushing, Lower	CD0116100	9639016301
17	1	Dowel (lower cover)	CD0116000	9639017301
18	2	Spacer Gear to Rear Bearing	40878	9639018401
19	2	Rear Bearing	200035000	9639019401
20	2	Spacer Bearing	40752	9639020401
21	2	Shim Kit		9639021401
22	2	Front Bearing	200036000	9639022401
23	1	Drive Shaft (17-4PH), 220	108415	9639223401
	1	Drive Shaft (17-4PH), 180		
24	1	Auxillary Shaft (17-4PH), 220	108416	9639224401
	1	Auxillary Shaft (17-4PH), 180	110024	9639224402
25	2	Rotor Key, 220	101827	9639225401
	2	Rotor key, 180	101828	9639225402
26	2	Bearing Retainer Front	121829	9639026401
	2	Bearing Retainer Front (previous version)	101813	9639026402
27	2	Grease Seal Front Brg Ret	121681	9639027401
28	8	Button Head Cap Screw, Bearing Retainer, SS		
29	6	Stop Pin, Seal	101720	9639229301
30	1	Dowel Pin, Upper Gear Case	CD0040R00	9639030301
31	1	Dowel Pin, Lower Gear Case Side	CD0040R10	9639031301
32	1	Rotorcase, 180 - 3" Triclamp		9639232401
	1	Rotorcase, 180 - 4" Triclamp		
	1	Rotorcase, 220 - 4" Triclamp		9639232403
34	1	Dowel Pin, Lower Cover Side	GD0040100	9639034401
35	1	Dowel Pin, Upper Cover Side	GD0040000	9639035401
37	2	Body Retaining Screw, 180		
	2	Body Retaining Screw, 220	30499	9639037402
38	2	Rotor Twin Blade, Non-Galling Alloy, 220	102187	9639238402
	2	Rotor Twin Blade, Non-Galling Alloy, 180	107273	9639238401

- * See seal repair parts
- ** Required for European CE compliance only
(not mandatory for USA market)



3203-0012

Pos	Qty	Denomination	Reference Part		
			No.	Item Number	
41	2	Washer, Belleville	101694	9639241401	
42	2	Rotor Nut	101807	9639242401	
43	1	Cover O-ring - NBR	N70381	9639243401	
	1	Cover O-ring - EPDM	E70381	9639243402	
	1	Cover O-ring - FPM	V70381	9639243403	
44	1	Pump Cover	101851	9639244401	
45	8	Hex Nut	108372	9639045402	
	8	Wing Nut	105853	9639045401	
46	4	Large Cleanout Plug		9639046301	
47	1	Drive Shaft Key, 1/2 X 1/2 X 1 7/8	000037004	9639047401	
48	2	Seal Guards, SS		9639048401	
49	4	Fastner, Seal Guard		9639049101	
49a	4	Washer, Seal Guard		9639049102	
	4	O-ring Removal Tool	AD0096001	9639090101	
	4	Oil, Magna-Plate 460-FG, 1-gal	000140003	9639090301	
	4	Grease micro plate #2 (1 lb tube)	000140002	9639090401	
	4	Sealant RTV	000142301	9639090501	
	8	Grease Fitting Cap, Red Plastic		9639090601	
	10	Plastic Cap Tapped Holes, Mounting Pad	000121001	9639090703	
	2	Eye Bolt	30-360	9639090801	
			EPDM	NBR	FPM

Service kit for SCPP2/180/220

◇	Service kit - Single Mechanical Seal SC/C	9639203051	9639203046	9639203056
◇	Service kit - Single Mechanical Seal SC/SC	9639203052	9639203047	9639203057
◇	Service kit - Single Mechanical Seal CER/C	9639203053	9639203048	9639203058
□	Service kit - Double Mechanical Seal SC/SC/C	9639203054	9639203049	9639203059
□	Service kit - Double Mechanical Seal SC/SC/C	9639203055	9639203050	9639203060

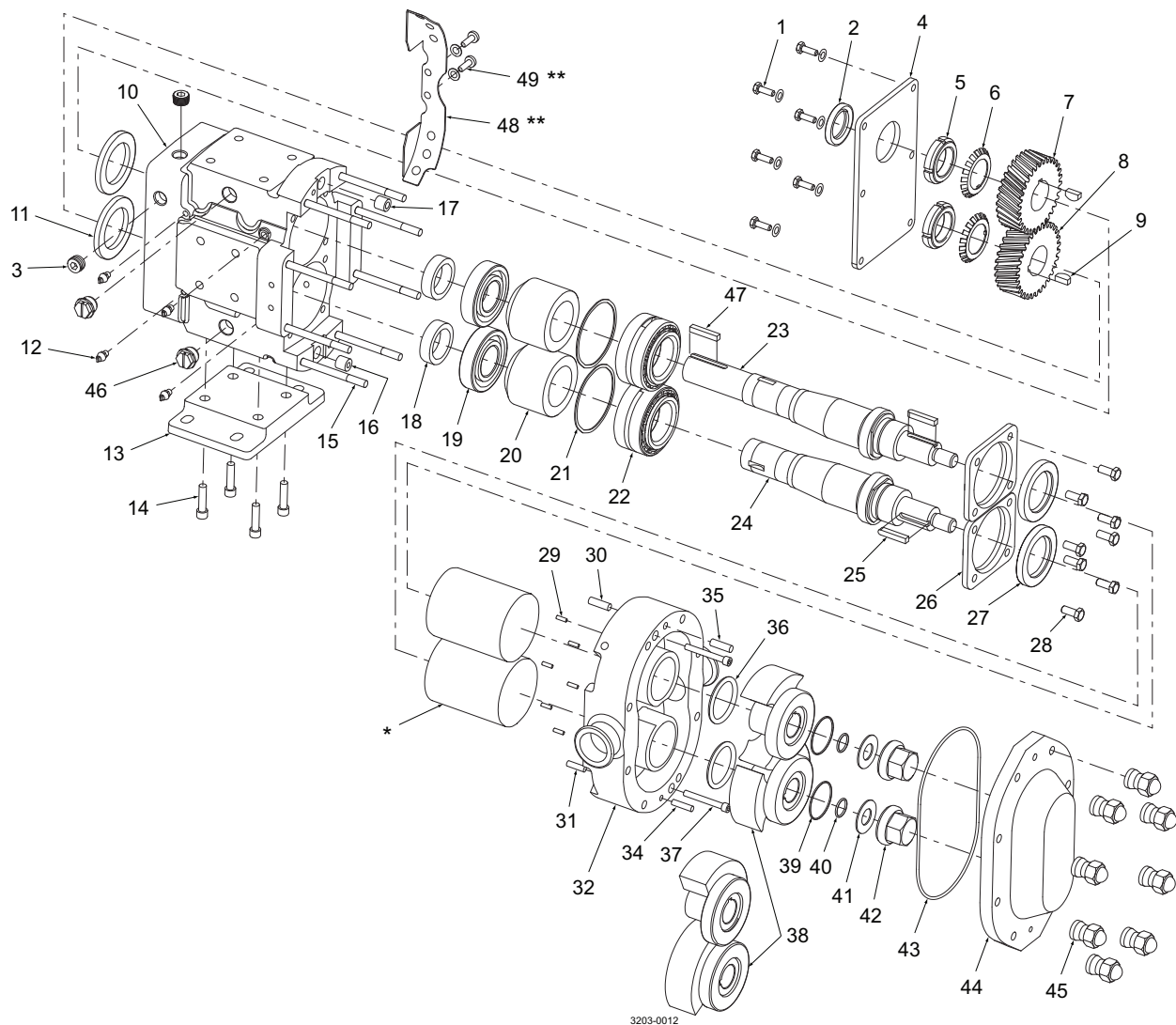
O-Ring kit for SCPP2/180/220

◆	O-Ring kit	9639201011	9639201010	9639201012
---	------------------	------------	------------	------------

Rotor Hub O-ring kit for SCPP2/180/220

◆	Rotor Hub O-ring kit	9639236402	9639236401	9639236403
◆	Rotor Hub O-ring kit	9639239402	9639239401	9639239403
◆	Rotor Hub O-ring kit	9639240402	9639240401	9639240403

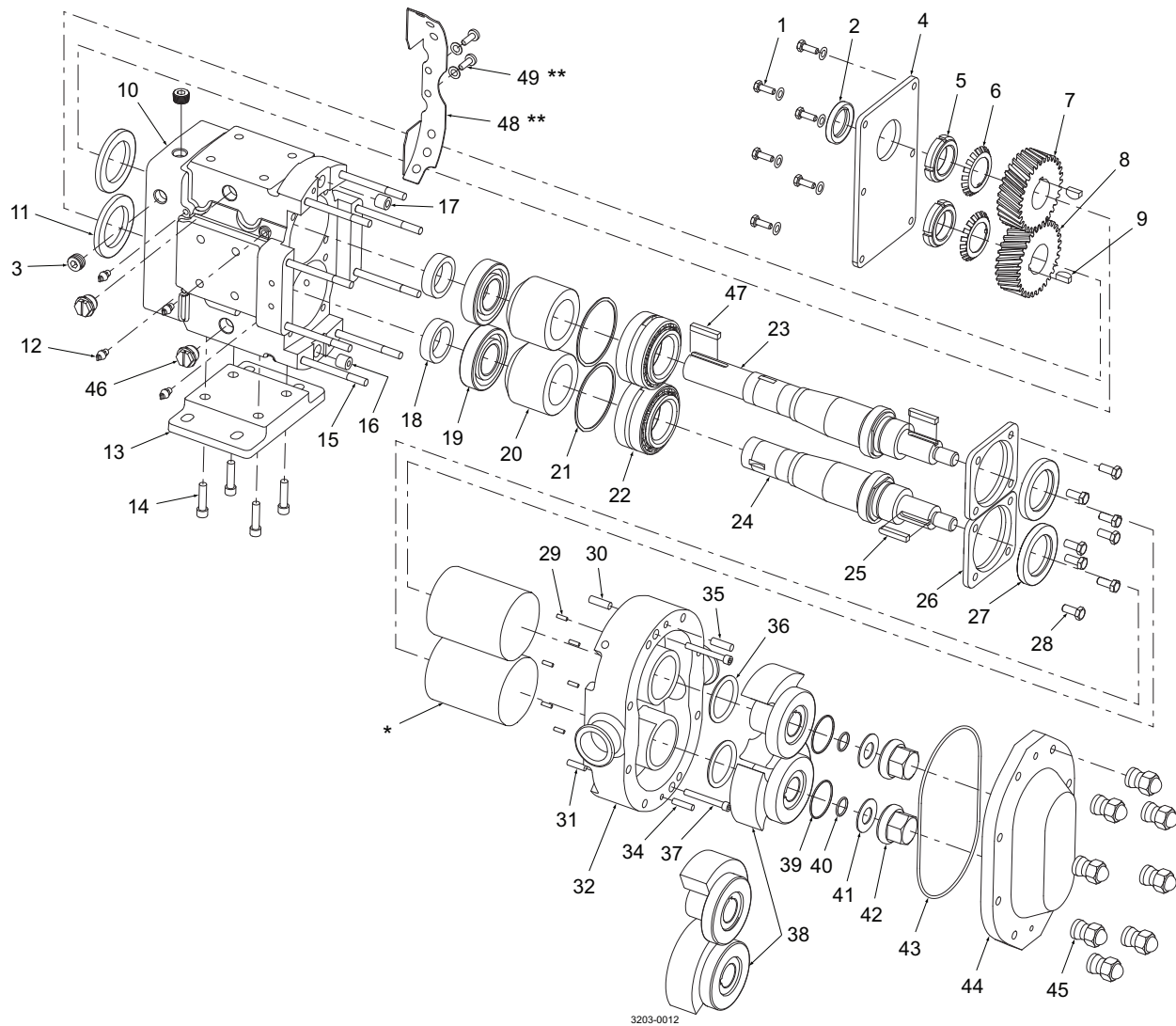
- * See seal repair parts
- ** Required for European CE compliance only (not mandatory for USA market)



3203-0012

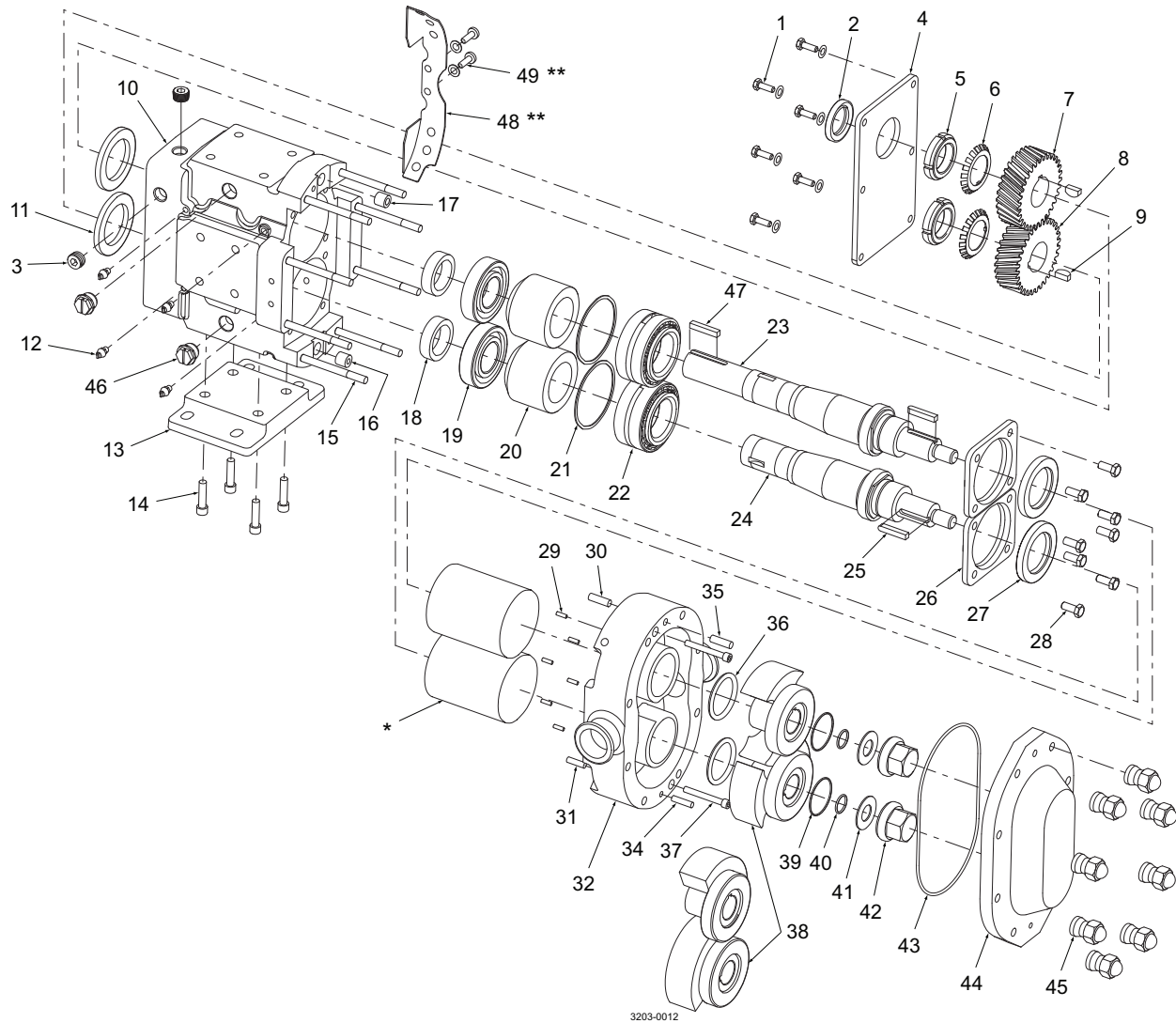
Pos	Qty	Denomination	Reference Part	
			No.	Item Number
1	6	Capscrew, Gear Case Cover, SS	3050	9639001301
1a	6	Washer GC Cover Capscrew, SS		9639001302
2	1	Oil Seal - Gear Case Cover		9639002501
	1	Oil Seal - Gear Case Cover (alternative version)	STD030004	9639002502
3	4	Oil Level, Drain Plug		9639003301
4	1	Gear Case Cover, Steel (includes installed seal)		
5	2	Lock Nut - Gear	105697	9639005501
6	2	Lock Washer - Gear		9639006501
7	1	Gear Drive Shaft	102470	9639007501
8	1	Gear Short Shaft	102470	9639008501
9	2	Key, Gear	OH1037000	9639009501
10	1	Gear Case, Cl	40616	9639010501
11	2	Oil Seal Rear	102475	9639011501
12	8	Grease Fitting 1/8	BD0092000	9639012101
13	1	Mounting Shim (Gear Case Base), Cl	40288	9639013501
14	4	Socket Head Capscrew, GC Base		
15	4	Stud, Cover, Long	111292	9639015501
15a	4	Stud, Cover, Short		
16&17	2	Dowel Bushing, Gearcase		
18	2	Spacer Gear to Rear Bearing	102474	9639018501
19	2	Rear Bearing	OH1036000	9639019501
20	2	Spacer Bearing	102472	9639020501
21	2	Shim Kit	117893	9639021501
22	2	Front Bearing	OH1036003	9639022501
23	1	Drive Shaft	112186	9639223501
24	1	Auxillary Shaft		
25	2	Rotor key, 210	105422	9639225501
26	2	Bearing Retainer Front	123533	9639026501
27	2	Grease Seal Front Brg Ret	121681	9639027401
28	8	Button Head Cap Screw, Bearing Retainer, SS		
29	6	Stop Pin Seal	102438	9639229501
30	2	Dowel Pin, Gear Case Side		9639031501
31	2	Dowel Pin, Gear Case Side		9639031501
32	1	Rotorcase, 210 - 4" Triclamp		
34	2	Dowel Pin, Cover Side		9639235501
35	2	Dowel Pin, Cover Side		9639235501
37	2	Rotorcase Retaining Screw, 210		9639037303
38	2	Rotor Twin Blade, Non-Galling Alloy, 210	112199	9639238501

- * See seal repair parts
- ** Required for European CE compliance only
(not mandatory for USA market)



Pos	Qty	Denomination	Reference Part		
			No.	Item Number	
41	2	Washer, Belleville			
42	2	Rotor Nut	105409	9639242501	
43	1	Cover O-ring - NBR	N70382	9639243501	
	1	Cover O-ring - EPDM	E70382	9639243502	
	1	Cover O-ring - FPM	V70382	9639243503	
44	1	Pump Cover			
45	8	Hex Nut	108373	9639045502	
46	8	Large Cleanout Plug		9639046301	
47	8	Drive Shaft Key, 5/8 X 5/8 X 2 3/4	000037005	9639047501	
48	2	Seal Guards, SS			
49	4	Fastner, Seal Guard		9639049101	
49a	4	Washer, Seal Guard		9639049102	
	4	O-ring Removal Tool	AD0096001	9639090101	
	4	Oil, Magna-Plate 460-FG, 1-gal	000140003	9639090301	
	4	Grease micro plate #2 (1 lb tube)	000140002	9639090401	
	4	Sealant RTV	000142301	9639090501	
	8	Grease Fitting Cap, Red Plastic		9639090601	
	10	Plastic Cap Tapped Holes, Mounting Pad	000121001	9639090703	
	3	Eye Bolt	30-360	9639090801	
			EPDM	NBR	FPM
Service kit for SCPP2/210					
◇		Service kit - Single Mechanical Seal SC/C	9639203061	9639203066	
◇		Service kit - Single Mechanical Seal SC/SC	9639203062	9639203067	
◇		Service kit - Single Mechanical Seal CER/C	9639203063	9639203068	
□		Service kit - Double Mechanical Seal SC/SC/C	9639203064	9639203069	
□		Service kit - Double Mechanical Seal SC/SC/C	9639203065	9639203070	
O-Ring kit for SCPP2/210					
◆		O-Ring kit	9639201014	9639201013 9639201015	
Rotor Hub O-ring kit for SCPP2/210					
◆		Rotor Hub O-ring kit	9639236502	9639236501 9639236503	
◆		Rotor Hub O-ring kit	9639239502	9639239501 9639239503	
◆		Rotor Hub O-ring kit	9639240502	9639240501 9639240503	

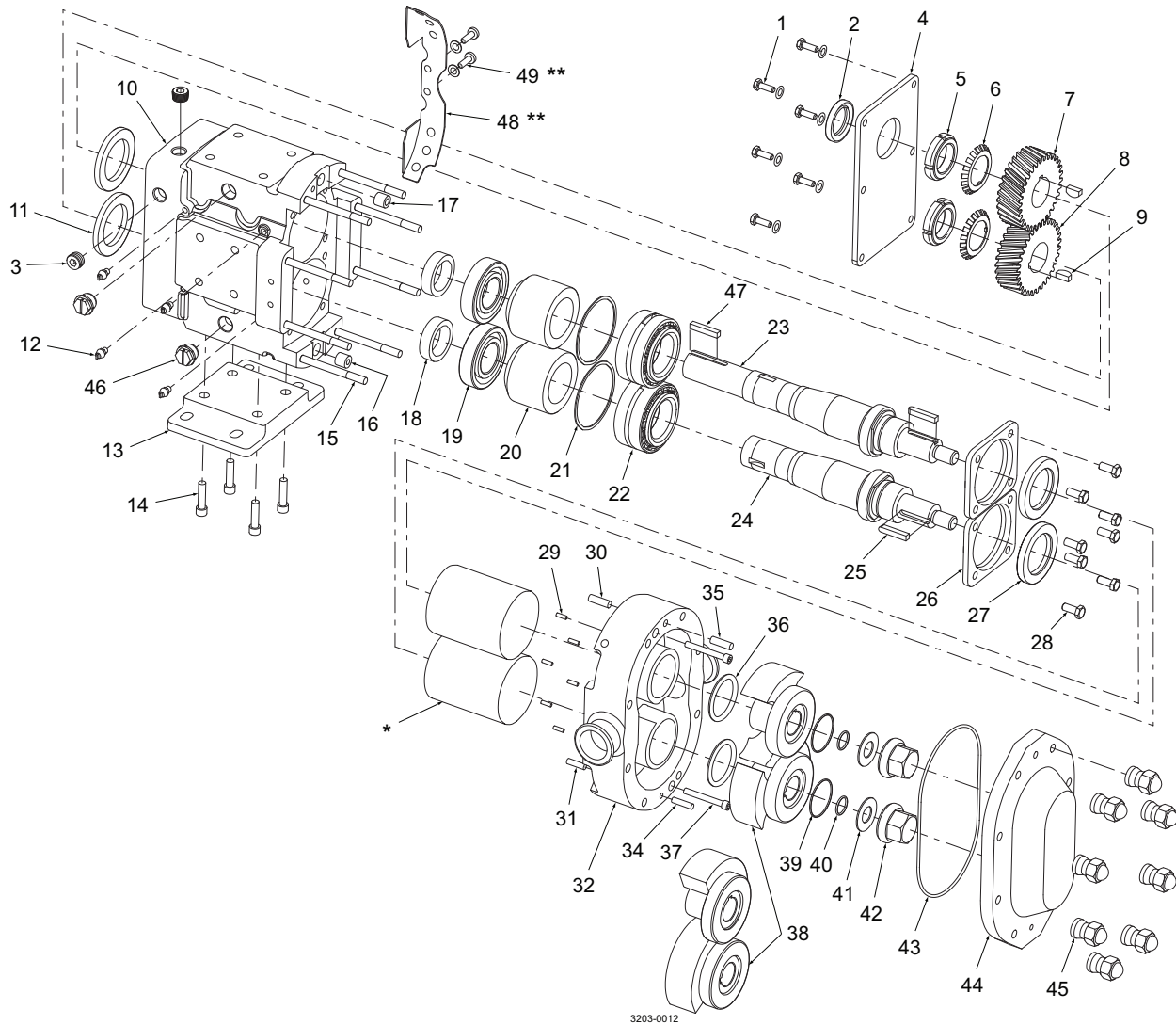
* See seal repair parts
 **Required for European CE compliance only
 (not mandatory for USA market)



Pos	Qty	Denomination	Reference Part	
			No.	Item Number
1	6	Capscrew, Gear Case Cover, SS	3050	9639001301
1a	6	Washer GC Cover Capscrew, SS		9639001302
2	1	Oil Seal - Gear Case Cover		9639002501
3	4	Oil Level, Drain Plug		9639203601
4	1	Gear Case Cover, Steel (Powder Coated, White)	40669	9639204601
5	2	Lock Nut - Gear	105697	9639005501
6	2	Lock Washer - Gear		9639006501
7	1	Gear Drive Shaft		9639007501
8	1	Gear Short Shaft		9639008501
9	2	Key, Gear	OH1037000	9639009501
10	1	Gear Case, Cast Iron (Powder Coated, White)		9639210601
11	2	Oil Seal Rear	102475	9639011501
12	8	Grease Fitting 1/4-28, SS		9639012102
13	1	Gear Case Base, Cast Iron, (Powder Coated, White)	40288	9639213601
14	4	Socket Head Capscrew, GC Base		9639214601
15a	4	Stud, Cover, Long 320	111291	9639015501
15b	4	Stud, Cover, Short 320		
16&17	2	Dowel Bushing, Gearcase		
18	2	Spacer Gear to Rear Bearing	102474	9639018501
19	2	Rear Bearing	OH1036000	9639019501
20	2	Spacer Bearing	102472&102473	9639020501
21	2	Shim Kit	117893	9639021501
22	2	Front Bearing	OH1036003	9639022501
23	1	Drive Shaft (17-4PH)	108417	9639223601
24	1	Auxillary Shaft (17-4PH)	108418	9639224601
25	2	Rotor key - 3200	105421	9639225601
26	2	Bearing Retainer Front	123533	9639026501
27	2	Grease Seal Front Brg Ret	121681	9639027401
28	8	Button Head Capscrew, Brg Ret, SS		
29	6	Stop Pin Seal	102438	9639229501
30	1	Dowel Pin, Gear Case Side		9639031501
31	1	Dowel Pin, Gear Case Side		9639031501
32	1	Rotorcase 6" Triclamp		9639232601
34	1	Dowel Pin, Cover Side		9639235601
35	1	Dowel Pin, Cover Side		9639235601
37	2	Body Retaining Screw		9639037303
38	2	Rotor Twin Blade, Non-Galling Alloy	105427	9639238601

* See seal repair parts

**Required for European CE compliance only
(not mandatory for USA market)



Pos	Qty	Denomination	Reference Part	
			No.	Item Number
41	2	Washer, Belleville	105411	9639241601
42	2	Rotor Nut	105409	9639242601
43	1	Cover O-ring - NBR	N70383	9639243601
	1	Cover O-ring - EPDM	E70383	9639243602
	1	Cover O-ring - FPM	V70383	9639243603
44	1	Pump Cover	105406	9639244601
45	8	Hex Nut	108373	9639045502
46	4	Large Cleanout Plug		9639046301
47	1	Drive Shaft Key 5/8 X 5/8 X 2 3/4	000037005	9639047501
48	2	Seal Guards, SS		9639248601
49	4	Fastner, Seal Guard		9639049101
49a	4	Washer, Seal Guard		9639049102
49b	4	M3.5 captive washer-SS		9639249601

EPDM NBR FPM

Service kit for SCPP2/320

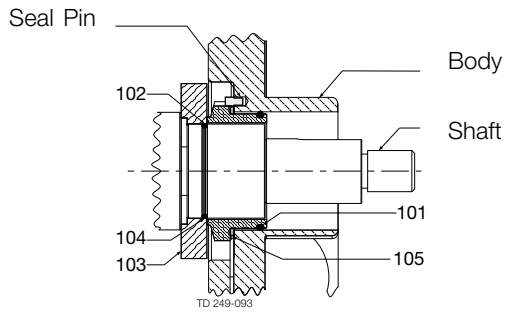
◇	Service kit - Single Mechanical Seal SC/C	9639203071		9639203076
◇	Service kit - Single Mechanical Seal SC/SC	9639203072		9639203077
◇	Service kit - Single Mechanical Seal CER/C	9639203073		9639203078
□	Service kit - Double Mechanical Seal SC/SC/C	9639203074		9639203079
□	Service kit - Double Mechanical Seal SC/SC/C	9639203075		9639203080

O-Ring kit for SCPP2/320

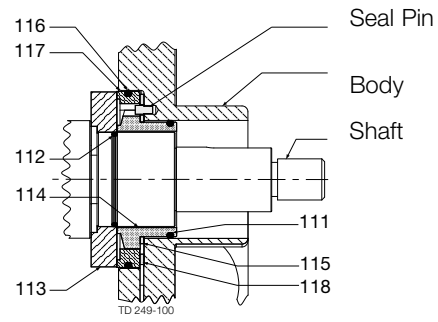
◆	O-Ring kit	9639201017	9639201016	9639201018
---	------------------	------------	------------	------------

Rotor Hub O-ring kit for SCPP2/320

◆	Rotor Hub O-ring kit	9639236602	9639236601	9639236603
◆	Rotor Hub O-ring kit	9639239602	9639239601	9639239603
◆	Rotor Hub O-ring kit	9639240602	9639240601	9639240603



Single Mechanical Seal

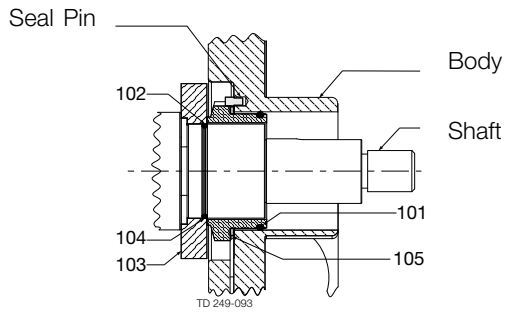


Double Mechanical Seal

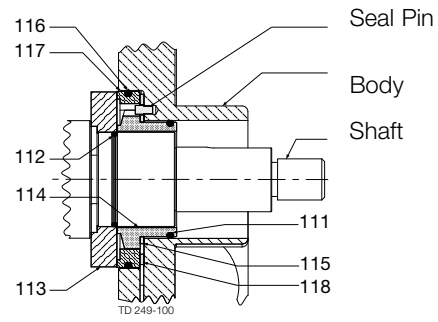
Pos	Qty	Denomination	Reference Part		
			No.	Item Number	
Single Mechanical Seal:					
101	◇	1 Inner Seal O-ring, NBR	N70028	9639062201	
		1 Inner Seal O-ring, EPDM	E70028	9639062202	
		1 Inner Seal O-ring, FPM	V70028	9639062203	
102	◇	1 Seal Seat O-ring, NBR	N70024	9639262101	
		1 Seal Seat O-ring, EPDM	E70024	9639262102	
		1 Seal Seat O-ring, FPM	V70024	9639262103	
103	◇	1 Seal Seat, Silicon Carbide	101668	9639267103	
		1 Seal Seat, Ceramic	101667	9639267102	
104	◇	1 Seal Inner, Silicon Carbide	101653	9639268103	
		1 Seal Inner, Ceramic	101652	9639268102	
		1 Seal Inner, Carbon	101651	9639268101	
105	◇	1 Inner Wave Spring	101683	9639269101	
Double Mechanical Seal:					
111	□	1 Inner Seal O-ring, NBR	N70028	9639062201	
		1 Inner Seal O-ring, EPDM	E70028	9639062202	
		1 Inner Seal O-ring, FPM	V70028	9639062203	
112	□	1 Seal Seat O-ring, NBR	N70024	9639262101	
		1 Seal Seat O-ring, EPDM	E70024	9639262102	
		1 Seal Seat O-ring, FPM	V70024	9639262103	
113	□	1 Seal Seat, Silicon Carbide	101668	9639267103	
		1 Seal Seat, Ceramic	101667	9639267102	
114	□	1 Seal Inner, Silicon Carbide	101653	9639268103	
		1 Seal Inner, Ceramic	101652	9639268102	
		1 Seal Inner, Carbon	101651	9639268101	
115	□	1 Inner Wave Spring	101683	9639269101	
116	□	1 Outer Seal O-ring, NBR	N70035	9639261301	
		1 Outer Seal O-ring, EPDM	E70035	9639261302	
		1 Outer Seal O-ring, FPM	V70035	9639261303	
117	□	1 Outer seal, Carbon	101679	9639270101	
118	□	1 Outer Wave Spring	101684	9639271101	
			EPDM	NBR	FPM

Servie kit sealing for SCPP2/006/015/018

□	Seal kit, Double Mechanical Seal/SC, SC/C	9639202001	9639202013	9639202007
◇	Seal kit, Single Mechanical Seal/CER, C	9639202017	9639202027	9639202022
◇	Seal kit, Single Mechanical Seal/SC, C	9639202031	9639202043	9639202037
◇	Seal kit, Single Mechanical Seal/SC, SC	9639202047	9639202057	9639202052



Single Mechanical Seal

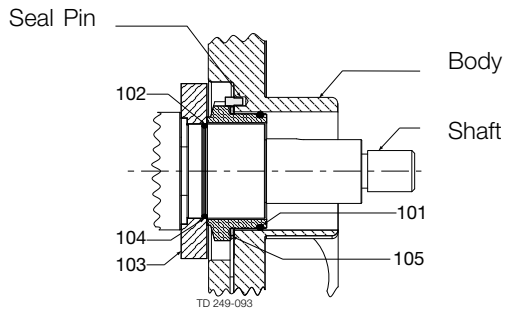


Double Mechanical Seal

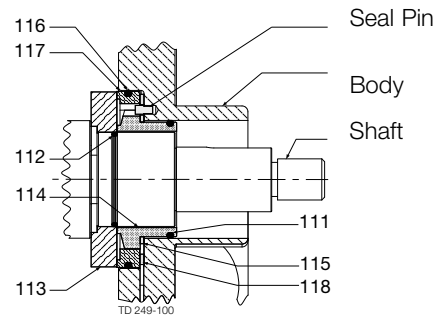
Pos	Qty	Denomination	Reference Part		
			No.	Item Number	
Single Mechanical Seal:					
101	1	Inner Seal O-ring, NBR	N70031	9639261201	
		Inner Seal O-ring, EPDM	E70031	9639261202	
		Inner Seal O-ring, FPM	V70031	9639261203	
102	1	Seal Seat O-ring, NBR	N70029	9639262201	
		Seal Seat O-ring, EPDM	E70029	9639262202	
		Seal Seat O-ring, FPM	V70029	9639262203	
103	1	Seal Seat, Silicon Carbide	101671	9639267203	
		Seal Seat, Ceramic	101670	9639267202	
104	1	Inner Seal, Silicon Carbide	101657	9639268203	
		Inner Seal, Ceramic	101656	9639268202	
		Inner Seal, Carbon	101655	9639268201	
105	1	Inner Wave Spring	101685	9639269201	
Double Mechanical Seal:					
111	1	Inner Seal O-ring, NBR	N70031	9639261201	
		Inner Seal O-ring, EPDM	E70031	9639261202	
		Inner Seal O-ring, FPM	V70031	9639261203	
112	1	Seal Seat O-ring, NBR	N70029	9639262201	
		Seal Seat O-ring, EPDM	E70029	9639262202	
		Seal Seat O-ring, FPM	V70029	9639262203	
113	1	Seal Seat, Silicon Carbide	101671	9639267203	
		Seal Seat, Ceramic	101670	9639267202	
114	1	Seal Inner, Silicon Carbide	101657	9639268203	
		Seal Inner, Ceramic	101656	9639268202	
		Seal Inner, Carbon	101655	9639268201	
115	1	Inner Wave Spring	101685	9639269201	
116	1	Outer Seal O-ring, NBR	N70041	9639261401	
		Outer Seal O-ring, EPDM	E70041	9639261402	
		Outer Seal O-ring, FPM	V70041	9639261403	
117	1	Outer seal, Carbon	101686	9639270201	
118	1	Outer Wave Spring	101680	9639271201	
			EPDM	NBR	FPM

Service kit sealing for SCPP2/030

□	Seal kit, Double Mechanical Seal/SC, SC/C	9639202002	9639202014	9639202008
◇	Seal kit, Single Mechanical Seal/CER, C	9639202018	9639202028	9639202023
◇	Seal kit, Single Mechanical Seal/SC, C	9639202032	9639202044	9639202038
◇	Seal kit, Single Mechanical Seal/SC, SC	9639202048	9639202059	9639202053



Single Mechanical Seal

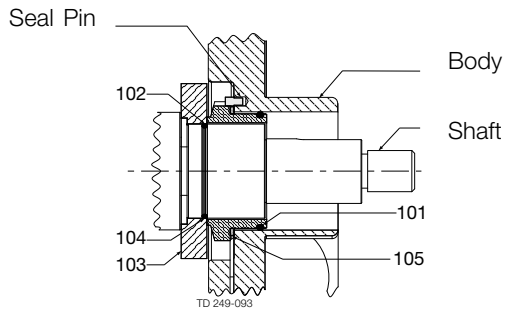


Double Mechanical Seal

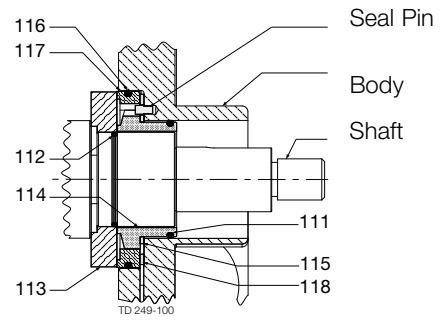
Pos	Qty	Denomination	Reference Part		
			No.	Item Number	
Single Mechanical Seal:					
101	1	Inner Seal O-ring, NBR	N70035	9639261301	
	1	Inner Seal O-ring, EPDM	E70035	9639261302	
	1	Inner Seal O-ring, FPM	V70035	9639261303	
102	1	Seal Seat O-ring, NBR	N70133	9639262301	
	1	Seal Seat O-ring, EPDM	E70133	9639262302	
	1	Seal Seat O-ring, FPM	V70133	9639262303	
103	1	Seal Seat, Silicon Carbide	101674	9639267303	
	1	Seal Seat, Ceramic	101673	9639267302	
104	1	Inner Seal, Silicon Carbide	101661	9639268303	
	1	Inner Seal, Ceramic	101660	9639268302	
	1	Inner Seal, Carbon	101659	9639268301	
105	1	Inner Wave Spring	101687	9639269301	
Double Mechanical Seal:					
111	1	Inner Seal O-ring, NBR	N70035	9639261301	
	1	Inner Seal O-ring, EPDM	E70035	9639261302	
	1	Inner Seal O-ring, FPM	V70035	9639261303	
112	1	Seal Seat O-ring, NBR	N70133	9639262301	
	1	Seal Seat O-ring, EPDM	E70133	9639262302	
	1	Seal Seat O-ring, FPM	V70133	9639262303	
113	1	Seal Seat, Silicon Carbide	101674	9639267303	
	1	Seal Seat, Ceramic	101673	9639267302	
114	1	Seal Inner, Silicon Carbide	101661	9639268303	
	1	Seal Inner, Ceramic	101660	9639268302	
	1	Seal Inner, Carbon	101659	9639268301	
115	1	Inner Wave Spring	101687	9639269301	
116	1	Outer Seal O-ring, NBR	N70043	9639265301	
	1	Outer Seal O-ring, EPDM	E70043	9639265302	
	1	Outer Seal O-ring, FPM	V70043	9639265303	
117	1	Outer seal, Carbon	101681	9639270301	
118	1	Outer Wave Spring	101688	9639271301	
			EPDM	NBR	FPM

Service kit sealing for SCPP2/045/060/130

□	Seal kit, Double Mechanical Seal/SC, SC/C	9639202003	9639202015	9639202009
◇	Seal kit, Single Mechanical Seal/CER, C	9639202019	9639202029	9639202024
◇	Seal kit, Single Mechanical Seal/SC, C	9639202033	9639202045	9639202039
◇	Seal kit, Single Mechanical Seal/SC, SC	9639202049	9639202059	9639202054



Single Mechanical Seal



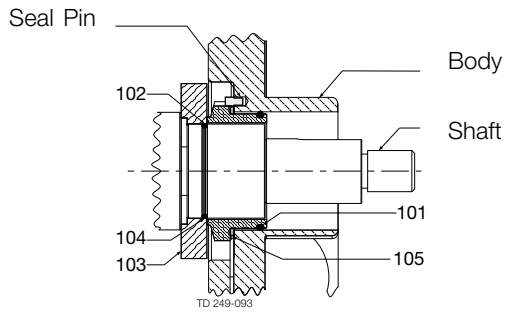
Double Mechanical Seal

SCPP2/180/220 - Sealing

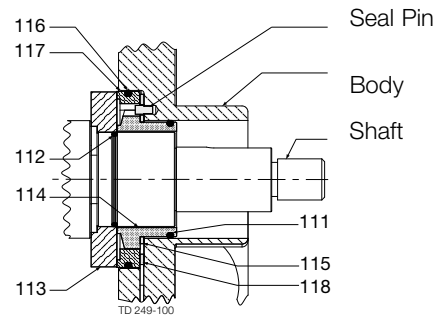
Pos	Qty	Denomination	Reference Part		
			No.	Item Number	
Single Mechanical Seal:					
101	◇	1 Inner Seal O-ring, NBR	N70041	9639261401	
		1 Inner Seal O-ring, EPDM	E70041	9639261402	
		1 Inner Seal O-ring, FPM	V70041	9639261403	
102	◇	1 Seal Seat O-ring, NBR	N70145	9639262401	
		1 Seal Seat O-ring, EPDM	E70145	9639262402	
		1 Seal Seat O-ring, FPM	V70145	9639262403	
103	◇	1 Seal Seat, Silicon Carbide	101677	9639267403	
		1 Seal Seat, Ceramic	101676	9639267402	
104	◇	1 Inner Seal, Silicon Carbide	101665	9639268403	
		1 Inner Seal, Ceramic	101664	9639268402	
		1 Inner Seal, Carbon	101663	9639268401	
105	◇	1 Inner Wave Spring	101689	9639269401	
Double Mechanical Seal:					
111	□	1 Inner Seal O-ring, NBR	N70041	9639261401	
		1 Inner Seal O-ring, EPDM	E70041	9639261402	
		1 Inner Seal O-ring, FPM	V70041	9639261403	
112	□	1 Seal Seat O-ring, NBR	N70145	9639262401	
		1 Seal Seat O-ring, EPDM	E70145	9639262402	
		1 Seal Seat O-ring, FPM	V70145	9639262403	
113	□	1 Seal Seat, Silicon Carbide	101677	9639267403	
		1 Seal Seat, Ceramic	101676	9639267402	
114	□	1 Seal Inner, Silicon Carbide	101665	9639268403	
		1 Seal Inner, Ceramic	101664	9639268402	
		1 Seal Inner, Carbon	101663	9639268401	
115	□	1 Inner Wave Spring	101689	9639269401	
116	□	1 Outer Seal O-ring, NBR	N70046	9639265401	
		1 Outer Seal O-ring, EPDM	E70046	9639265402	
		1 Outer Seal O-ring, FPM	V70046	9639265403	
117	□	1 Outer seal, Carbon	101682	9639270401	
118	□	1 Outer Wave Spring	101690	9639271401	
			EPDM	NBR	FPM

Service kit sealing for SCPP2/180/220

□	Seal kit, Double Mechanical Seal/SC, SC/C	9639202004	9639202016	9639202010
◇	Seal kit, Single Mechanical Seal/CER, C	9639202020	9639202030	9639202025
◇	Seal kit, Single Mechanical Seal/SC, C	9639202034	9639202046	9639202040
◇	Seal kit, Single Mechanical Seal/SC, SC	9639202050	9639202060	9639202055

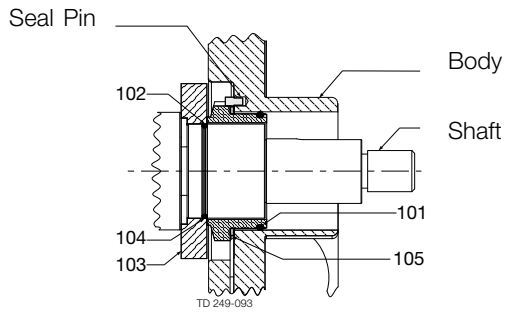


Single Mechanical Seal

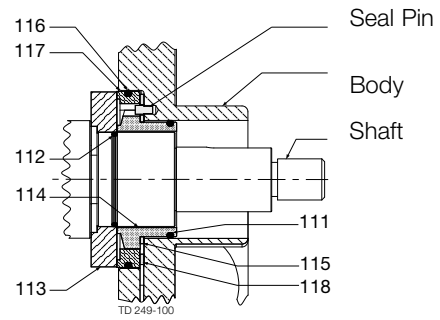


Double Mechanical Seal

Pos	Qty	Denomination	Reference Part	
			No.	Item Number
Single Mechanical Seal:				
101 ✦	1	Inner Seal O-ring, NBR	N70154	9639261501
	1	Inner Seal O-ring, EPDM	E70154	9639261502
	1	Inner Seal O-ring, FPM	V70154	9639261503
102 ✦	1	Seal Seat O-ring, NBR	N70149	9639262501
	1	Seal Seat O-ring, EPDM	E70149	9639262502
	1	Seal Seat O-ring, FPM	V70149	9639262503
103 ✦	1	Seal Seat, Silicon Carbide	105417	9639267503
	1	Seal Seat, Ceramic	105416	9639267502
104 ✦	1	Inner Seal, Silicon Carbide	105414	9639268503
	1	Inner Seal, Ceramic		
105 ✦	1	Inner Seal, Carbon	105412	9639268501
	1	Inner Wave Spring	105419	9639269501
Double Mechanical Seal:				
111 □	1	Inner Seal O-ring, NBR	N70154	9639261501
	1	Inner Seal O-ring, EPDM	E70154	9639261502
	1	Inner Seal O-ring, FPM	V70154	9639261503
112 □	1	Seal Seat O-ring, NBR	N70149	9639262501
	1	Seal Seat O-ring, EPDM	E70149	9639262502
	1	Seal Seat O-ring, FPM	V70149	9639262503
113 □	1	Seal Seat, Silicon Carbide	105417	9639267503
	1	Seal Seat, Ceramic	105416	9639267502
114 □	1	Seal Inner, Silicon Carbide	105414	9639268503
	1	Seal Inner, Ceramic		
	1	Seal Inner, Carbon	105412	9639268501
115 □	1	Inner Wave Spring	105419	9639269501
116 □	1	Outer Seal O-ring, NBR		
	1	Outer Seal O-ring, EPDM	E70160	9639265502
	1	Outer Seal O-ring, FPM	V70160	9639265503
117 □	1	Outer seal, Carbon	105418	9639270501
118 □	1	Outer Wave Spring	105420	9639271501



Single Mechanical Seal



Double Mechanical Seal

Pos	Qty	Denomination	Reference Part	
			No.	Item Number
Single Mechanical Seal:				
101	◇	1 Inner Seal O-Ring - NBR	N70154	9639261501
		1 Inner Seal O-Ring - EPDM	E70154	9639261502
		1 Inner Seal O-Ring - FPM	V70154	9639261503
102	◇	1 Seal Seat O-Ring - NBR	N70149	9639262501
		1 Seal Seat O-Ring - EPDM	E70149	9639262502
		1 Seal Seat O-Ring - FPM	V70149	9639262503
103	◇	1 Seal Seat, Silicon Carbide	105417	9639267503
		1 Seal Seat, Ceramic	105416	9639267502
104	◇	1 Inner Seal, Silicon Carbide	105414	9639268503
		1 Inner Seal, Ceramic		
		1 Inner Seal, Carbon	105412	9639268501
105	◇	1 Inner Wave Spring	105419	9639269501
Double Mechanical Seal:				
111	□	1 Inner Seal O-Ring - NBR	N70154	9639261501
		1 Inner Seal O-Ring - EPDM	E70154	9639261502
		1 Inner Seal O-Ring - FPM	V70154	9639261503
112	□	1 Seal Seat O-Ring - NBR	N70149	9639262501
		1 Seal Seat O-Ring - EPDM	E70149	9639262502
		1 Seal Seat O-Ring - FPM	V70149	9639262503
113	□	1 Seal Seat, Silicon Carbide	105417	9639267503
		1 Seal Seat, Ceramic	105416	9639267502
114	□	1 Seal Inner, Silicon Carbide	105414	9639268503
		1 Seal Inner, Ceramic		
		1 Seal Inner, Carbon	105412	9639268501
115	□	1 Inner Wave Spring	105419	9639269501
116	□	1 Outer Seal O-Ring - NBR		
		1 Outer Seal O-Ring - EPDM	E70160	9639265502
		1 Outer Seal O-Ring - FPM	V70160	9639265503
117	□	1 Outer seal, Carbon	105418	9639270501
118	□	1 Outer Wave Spring	105420	9639271501
			EPDM	FPM

Service kit sealing for SCPP2/320

□	Seal kit, Double Mechanical Seal/SC, SC/C	9639202006	9639202012
◇	Seal kit, Single Mechanical Seal/SC, C	9639202036	9639202042
◇	Seal kit, Single Mechanical Seal/SC, SC	9639202061	9639202062
◇	Seal kit, Single Mechanical Seal/CER, C	9639202063	9639202064

How to contact Alfa Laval

Contact details for all countries are continually updated on our website.

Please visit www.alfalaval.com to access the information directly.

© Alfa Laval Corporate AB

This document and its contents is owned by Alfa Laval Corporate AB and protected by laws governing intellectual property and thereto related rights. It is the responsibility of the user of this document to comply with all applicable intellectual property laws. Without limiting any rights related to this document, no part of this document may be copied, reproduced or transmitted in any form or by any means (electronic, mechanical, photocopying, recording, or otherwise), or for any purpose, without the expressed permission of Alfa Laval Corporate AB. Alfa Laval Corporate AB will enforce its rights related to this document to the fullest extent of the law, including the seeking of criminal prosecution.