

4.6 Rotating spray heads

Alfa Laval's comprehensive range of cleaning devices guarantees impact, making the most economical use of energy, manpower and cleaning solutions.



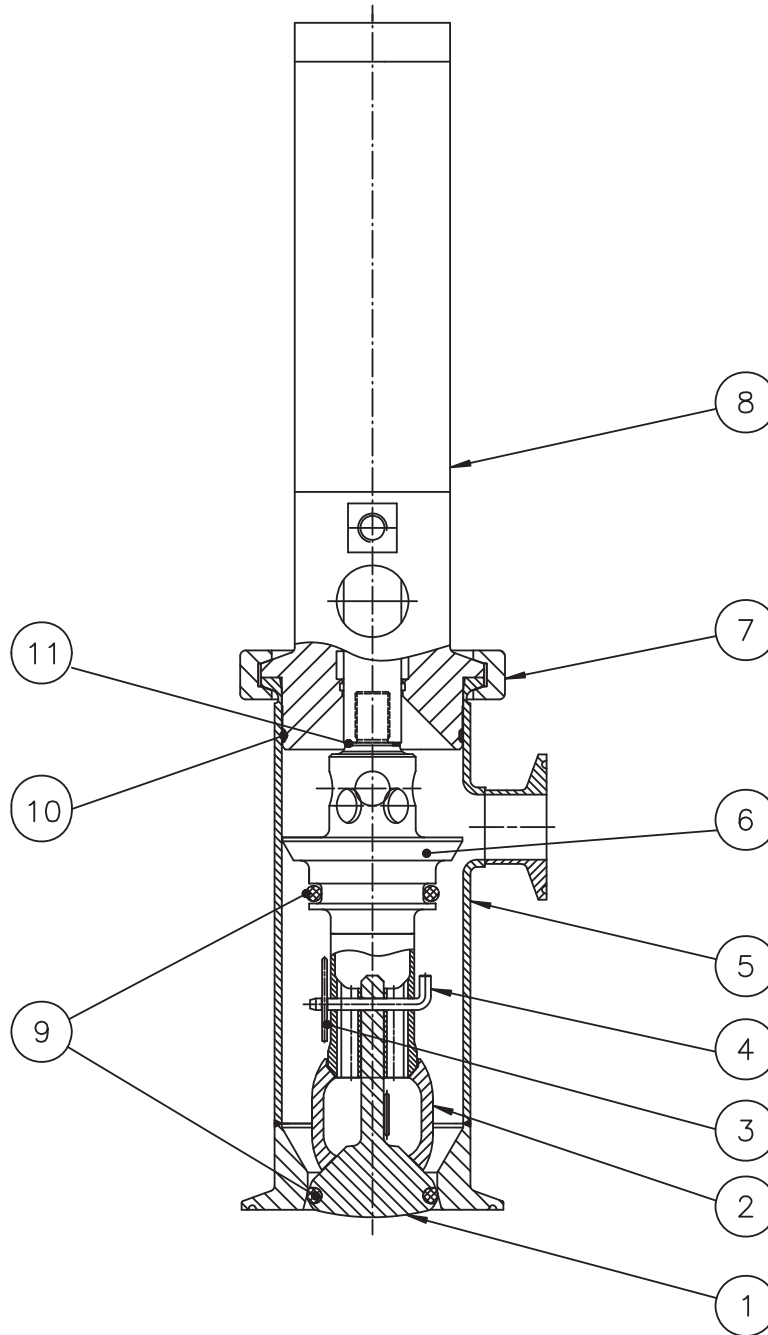
Spare parts

Toftejorg SaniMidget Retractor, pneumatic driven, complete	.4.6.2590
Toftejorg SaniMidget Retractor, pneumatic driven, cylinder	.4.6.2592
Toftejorg SaniMidget Retractor, pneumatic driven, spring return	.4.6.2594
Toftejorg SaniMidget Retractor, pneumatic driven, spring return, Cylinder	.4.6.2596
Toftejorg SaniMidget Retractor, media driven, complete	.4.6.2598
Toftejorg SaniMidget Retractor, media driven, cylinder	.4.6.2600
Toftejorg SaniMega	.4.6.2602
Toftejorg SaniMidget, SaniMagnum & SaniMega SB	.4.6.2604

Spare parts for obsolete products

LKSB Rotary Spray Ball	.4.6.2606
------------------------	-----------

Cross Sectional Drawing
Toftejorg SaniMidget Retractor, Pneumatic Driven
Art. nos. TE75M100_132



41010021

Reference List of Parts

Toftejorg SaniMidget Retractor, Pneumatic Driven, Complete

Pos	Qty	Denomination	Item no.	Material	Remark
1	1	Valve	TE75M502	Stainless steel	Spare part
2	◆○★	Cleaner head	TE75M533	Polymer	Wear part
3	◆○★	Spring pin	TE52D549	Stainless steel	Spare part
4	◆○★	Lock-pin	TE75M529	Stainless steel	Spare part
5	1	Front tube, complete		Stainless steel	*Note
6	□	Piston, complete, stroke length = 100	TE75M310	Assembly	Spare part
	□	Piston, complete, stroke length = 150	TE75M31015	Assembly	Spare part
	□	Piston, complete, stroke length = 250	TE75M31025	Assembly	Spare part
7	1	Clamp ring	TE51S126	Stainless steel	Spare part
8	□	Pneumatic cylinder, complete, stroke length = 100	TE75M302	Assembly, EPDM	Spare part
	□	Pneumatic cylinder, complete, stroke length = 150	TE75M30215	Assembly, EPDM	Spare part
	□	Pneumatic cylinder, complete, stroke length = 250	TE75M30225	Assembly, EPDM	Spare part
	□	Pneumatic cylinder, complete, stroke length = 100	TE75M302001	Assembly, FPM	Spare part
	□	Pneumatic cylinder, complete, stroke length = 150	TE75M302151	Assembly, FPM	Spare part
	□	Pneumatic cylinder, complete, stroke length = 250	TE75M302251	Assembly, FPM	Spare part
	□	Pneumatic cylinder, complete, stroke length = 100	TE75M302002	Assembly, perflour	Spare part
	□	Pneumatic cylinder, complete, stroke length = 150	TE75M302152	Assembly, perflour	Spare part
	□	Pneumatic cylinder, complete, stroke length = 250	TE75M302252	Assembly, perflour	Spare part
9	□◆	O-ring, EPDM	TE51T166	EPDM	Wear part
	□○	O-ring, FPM	TE51T167	FPM	Wear part
	□★	O-ring, perflour	TE51T168	Perflour	Wear part
10	□◆	O-ring, EPDM	TE51T169	EPDM	Wear part
	□○	O-ring, FPM	TE51T170	FPM	Wear part
	□★	O-ring, perflour	TE51T171	Perflour	Wear part
11	1	Gasket	TE75M508	Polymer	Spare part

*Note: Position 5 is not sold as single Spare part component. Only sold as part of a machine maintenance/repair order. For further information please contact Alfa Laval Customer Support.

There are special conditions and rules regarding repair of ATEX certified machines so please check the Instruction Manual for your machine before doing any repairs.

Service kits

- ◆ Standard Spare part kit - EPDM TE75M299
- Standard Spare part kit - FPM TE75M29901
- ★ Standard Spare part kit - Perflour TE75M29902

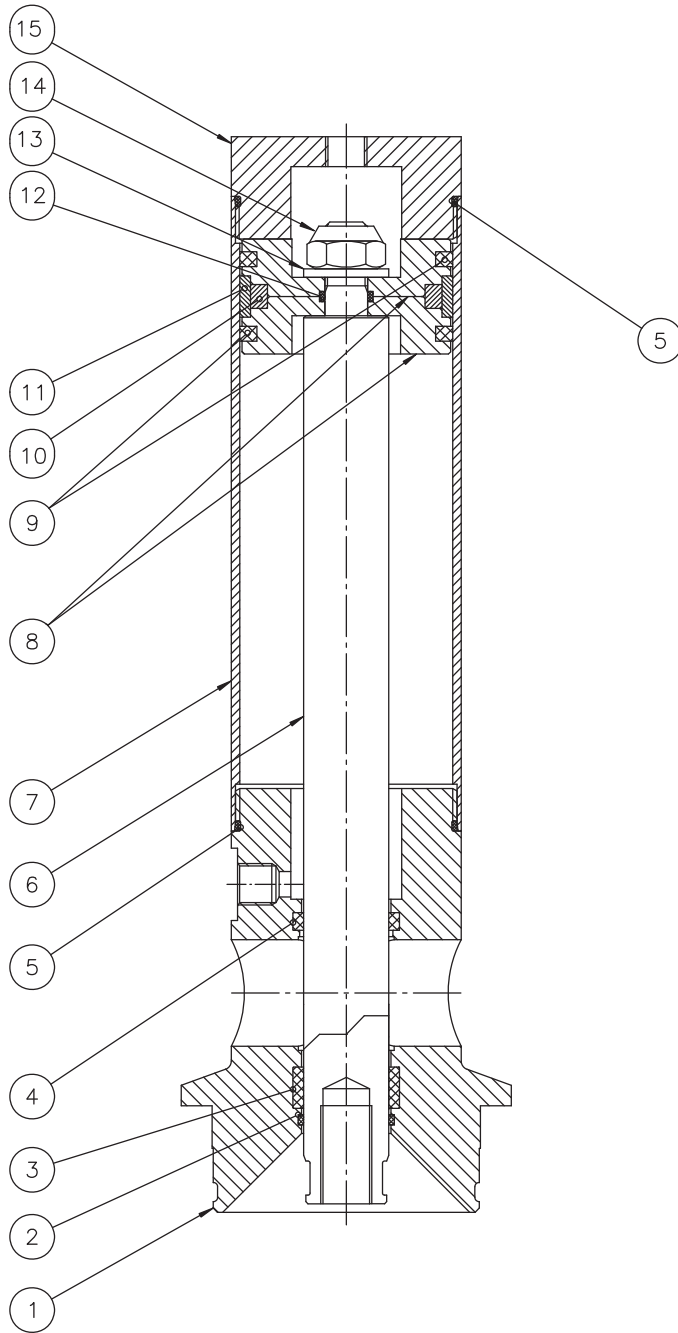
Parts marked with ◆ are included in the standard Spare part kit for SaniMidget Retractor - EPDM: TE75M299

Parts marked with ○ are included in the standard Spare part kit for SaniMidget Retractor - FPM: TE75M29901

Parts marked with ★ are included in the standard Spare part kit for SaniMidget Retractor - Perflour: TE75M29902

□ Configuration according to delivery note/order.

Reference List of Parts
Cylinder for Toftejorg SaniMidget Retractor Pneumatic Driven
Art. nos. TE75M302, TE73M30215, TE73M30225, TE73M302001, TE73M302151, TE73M302251,
TE73M302002, TE73M302152, TE73M302252



41010022

Reference List of Parts

Cylinder for Toftejorg SaniMidget Retractor Pneumatic Driven

Pos	Qty	Denomination	Article no.	Material
1	1	Adapter	TE75M500	Stainless steel
2	<input type="checkbox"/>	1 O-ring	TE51T131	EPDM
	<input type="checkbox"/>	1 O-ring	TE51T134	FPM
	<input type="checkbox"/>	1 O-ring	TE51T133	Perflour
3	1	Guide tape	TE51L076	
4	1	Wiper	TE51T085	
5	2	O-ring	TE51T063	Elastomer
6	<input type="checkbox"/>	1 Shaft, Stroke length = 100	TE75M590	Stainless steel
	<input type="checkbox"/>	1 Shaft, Stroke length = 150	TE75M591	Stainless steel
	<input type="checkbox"/>	1 Shaft, Stroke length = 250	TE75M592	Stainless steel
7	<input type="checkbox"/>	1 Cylinder, Stroke length = 100	TE75M552	Stainless steel
	<input type="checkbox"/>	1 Cylinder, Stroke length = 150	TE75M55215	Stainless steel
	<input type="checkbox"/>	1 Cylinder, Stroke length = 250	TE75M55225	Stainless steel
8	2	Piston	TE75M509	Polymer
9	2	Gasket for Piston	TE51U500	Rubber
10	1	Magnet ring	TE75M550	
11	1	Guide tape	TE51L077	
12	1	O-ring	TE51T064	Elastomer
13	1	Washer	TE51B054	Stainless steel
14	1	Locking nut	TE51A524	Stainless steel
15	1	End cover	TE75M538	Stainless steel

4.6

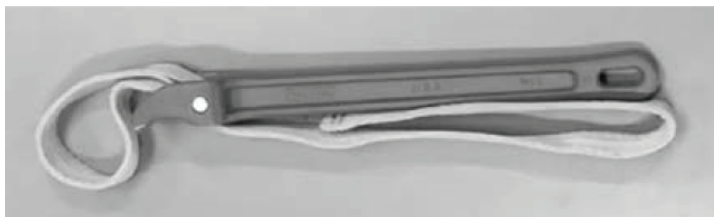
Configuration according to delivery note/order.

There are special conditions and rules regarding repair of ATEX certified machines so please check the Instruction Manual for your machine before doing any repairs.

Pos	Qty	Denomination	Item no.
-----	-----	--------------	----------

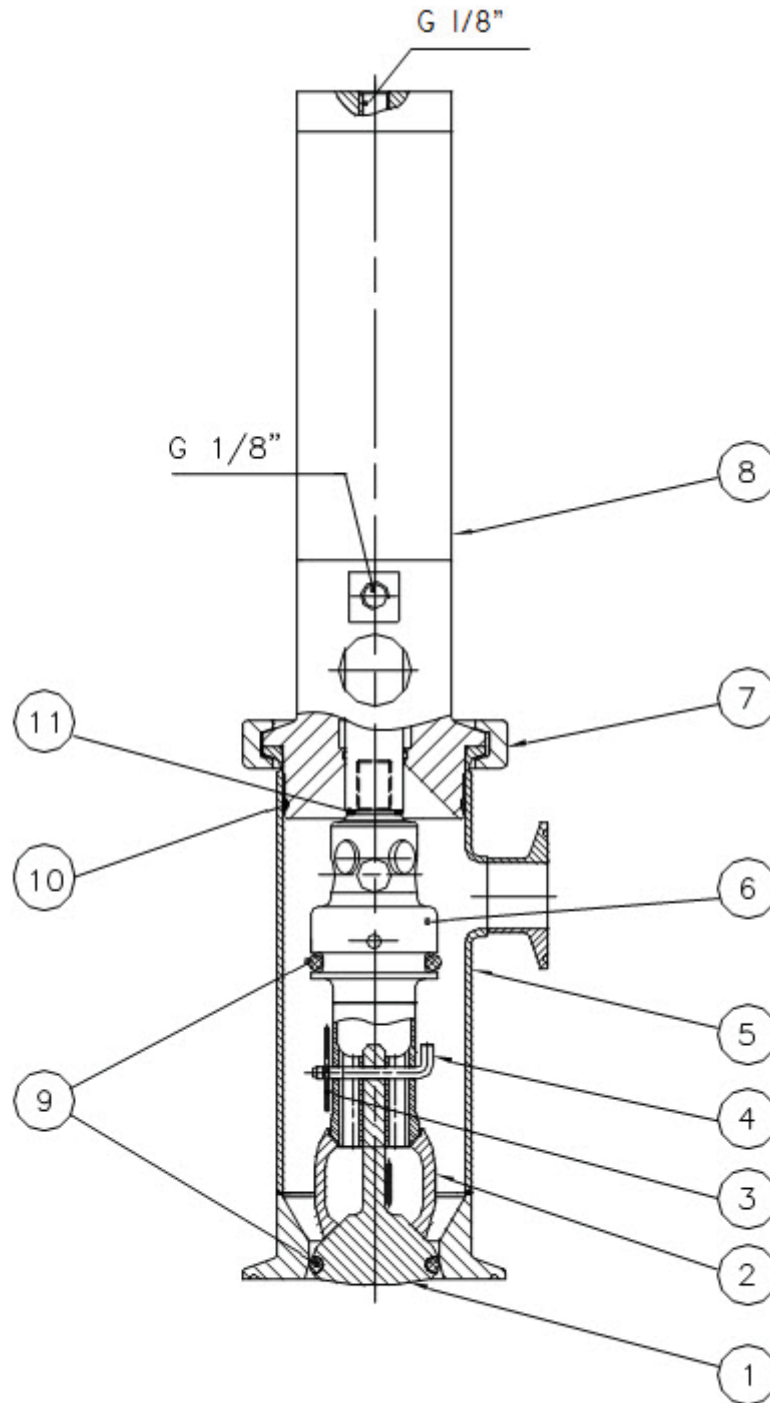
Tool

		Strap lock 50-135 mm	9690007001
--	--	----------------------	------------



The strap lock tool is used to disassemble and reassemble the piston cylinder in order to replace the guide tape.

Cross Sectional Drawing
Toftejorg SaniMidget Retractor Pneumatic Driven, Spring Return
Article no. TE75M200/232



41010023

Reference List of Parts

Toftejorg SaniMidget Retractor Pneumatic Driven, Spring Return

Pos	Qty	Denomination	Article no.	Material	Remark
1	1	Valve	TE75M502	Stainless steel	Spare part
2	◆○★	Cleaner head	TE75M533	Polymer	Wear part
3	◆○★	Spring pin	TE52D549	Stainless steel	Spare part
4	◆○★	Lock-pin	TE75M529	Stainless steel	Spare part
5	1	Front tube, complete		Stainless steel	*Note
6	□	Piston, complete, Stroke length = 100	TE75M311	Assembly	Spare part
	□	Piston, complete, Stroke length = 150	TE75M31115	Assembly	Spare part
	□	Piston, complete, Stroke length = 250	TE75M31125	Assembly	Spare part
7	1	Clamp ring	TE51S126	Stainless steel	Spare part
8	□	Pneumatic cylinder, complete, Stroke length = 100	TE75M303	Assembly, EPDM	Spare part
	□	Pneumatic cylinder, complete, Stroke length = 150	TE75M30315	Assembly, EPDM	Spare part
	□	Pneumatic cylinder, complete, Stroke length = 250	TE75M30325	Assembly, EPDM	Spare part
	□	Pneumatic cylinder, complete, Stroke length = 100	TE75M303001	Assembly, FPM	Spare part
	□	Pneumatic cylinder, complete, Stroke length = 150	TE75M303151	Assembly, FPM	Spare part
	□	Pneumatic cylinder, complete, Stroke length = 250	TE75M303251	Assembly, FPM	Spare part
	□	Pneumatic cylinder, complete, Stroke length = 100	TE75M303002	Assembly, Perflour	Spare part
	□	Pneumatic cylinder, complete, Stroke length = 150	TE75M303152	Assembly, Perflour	Spare part
	□	Pneumatic cylinder, complete, Stroke length = 250	TE75M303252	Assembly, Perflour	Spare part
9	◆	O-ring, EPDM	TE51T166	EPDM	Wear part
	○	O-ring, FPM	TE51T167	FPM	Wear part
	★	O-ring, perflour	TE51T168	Perflour	Wear part
10	◆	O-ring, EPDM	TE51T169	EPDM	Wear part
	○	O-ring, FPM	TE51T170	FPM	Wear part
	★	O-ring, perflour	TE51T171	Perflour	Wear part
11	1	Gasket	TE75M508	Polymer	Spare part

*Note: Position 5 is not sold as single Spare part component. Only sold as part of a machine maintenance/repair order. For further information please contact Alfa Laval Customer Support.

There are special conditions and rules regarding repair of ATEX certified machines so please check the Instruction Manual for your machine before doing any repairs.

Service kits

- ◆ **Standard Spare part kit - EPDM** **TE75M299**
- **Standard Spare part kit - FPM** **TE75M29901**
- ★ **Standard Spare part kit - Perflour** **TE75M29902**

Parts marked with ◆ are included in the standard Spare part kit for SaniMidget Retractor - EPDM: TE75M299

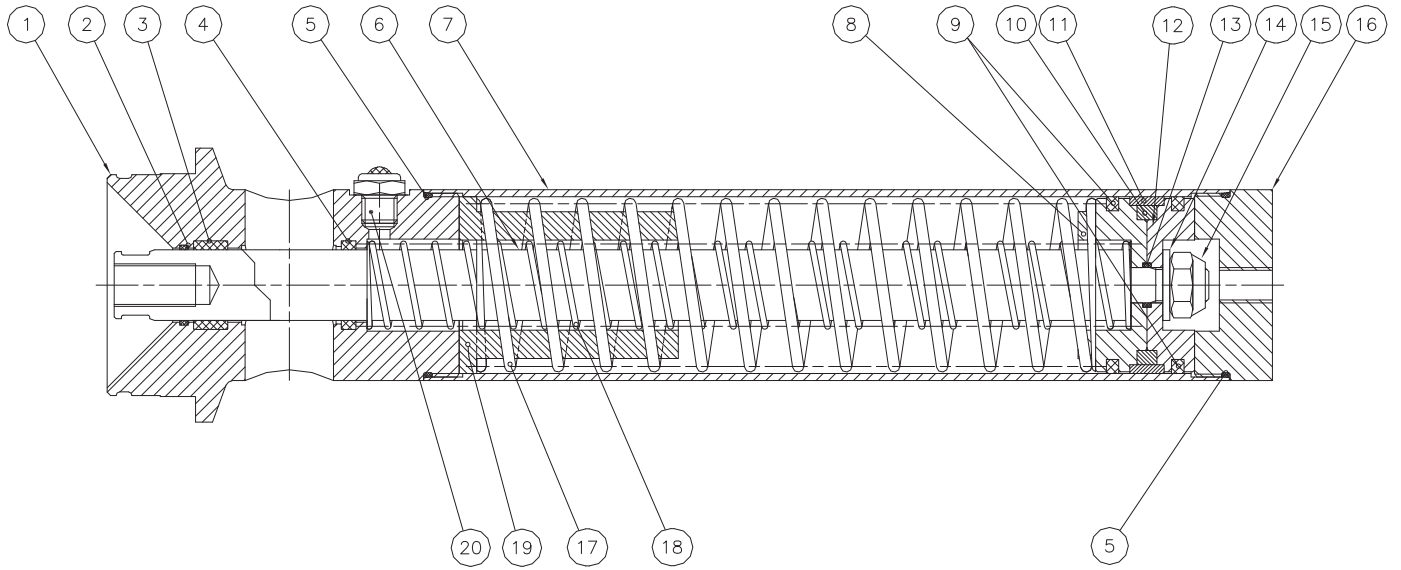
Parts marked with ○ are included in the standard Spare part kit for SaniMidget Retractor - FPM: TE75M29901

Parts marked with ★ are included in the standard Spare part kit for SaniMidget Retractor - Perflour: TE75M29902

□ Configuration according to delivery note/order.

Cross Sectional Drawing
Cylinder for Toftejorg SaniMidget Retractor Pneumatic Driven, Spring Return
Art. nos. TE75M303, TE73M30315, TE73M30325, TE73M303001, TE73M303151, TE73M303251,
TE73M303002, TE73M303152, TE73M303252

4.6



41010024

Reference List of Parts

Cylinder for Toftejorg SaniMidget Retractor Pneumatic Driven, Spring Return

Pos	Qty	Denomination	Article no.	Material
1	1	Adapter	TE75M500	Stainless steel
2	<input type="checkbox"/>	1 O-ring	TE51T131	EPDM
	<input type="checkbox"/>	1 O-ring	TE51T134	FPM
	<input type="checkbox"/>	1 O-ring	TE51T133	Perflour
3	1	Guide tape	TE51L076	
4	1	Wiper	TE51T085	
5	2	O-ring	TE51T063	Elastomer
6	<input type="checkbox"/>	1 Shaft, Stroke length = 100	TE75M520	Stainless steel
	<input type="checkbox"/>	1 Shaft, Stroke length = 150	TE75M521	Stainless steel
	<input type="checkbox"/>	1 Shaft, stroke length = 250, Stroke length = 250	TE75M522	Stainless steel
7	<input type="checkbox"/>	1 Cylinder, Stroke length = 100	TE75M551	Stainless steel
	<input type="checkbox"/>	1 Cylinder, Stroke length = 150	TE75M55115	Stainless steel
	<input type="checkbox"/>	1 Cylinder, Stroke length = 250	TE75M55125	Stainless steel
8	1	Piston	TE75M528	Polymer
9	2	Gasket for Piston	TE51U500	Rubber
10	1	Magnet ring	TE75M550	
11	1	Guide tape	TE51L077	
12	1	Piston	TE75M509	Polymer
13	1	O-ring	TE51T064	Elastomer
14	1	Washer	TE51B054	Stainless steel
15	1	Locking nut	TE51A524	Stainless steel
16	1	End cover	TE75M538	Stainless steel
17	<input type="checkbox"/>	1 Spring	TE75M605	
	<input type="checkbox"/>	1 Spring	TE75M606	
	<input type="checkbox"/>	1 Spring	TE75M607	
18	<input type="checkbox"/>	1 Spring	TE75M610	
	<input type="checkbox"/>	1 Spring	TE75M611	
	<input type="checkbox"/>	1 Spring	TE75M612	
19	1	Spring connection	TE75M531	Polymer
20	1	Air filter	TE51U126	Stainless steel

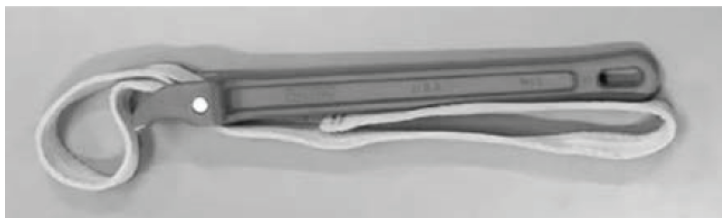
Configuration according to delivery note/order.

There are special conditions and rules regarding repair of ATEX certified machines so please check the Instruction Manual for your machine before doing any repairs.

Pos	Qty	Denomination	Item no.
-----	-----	--------------	----------

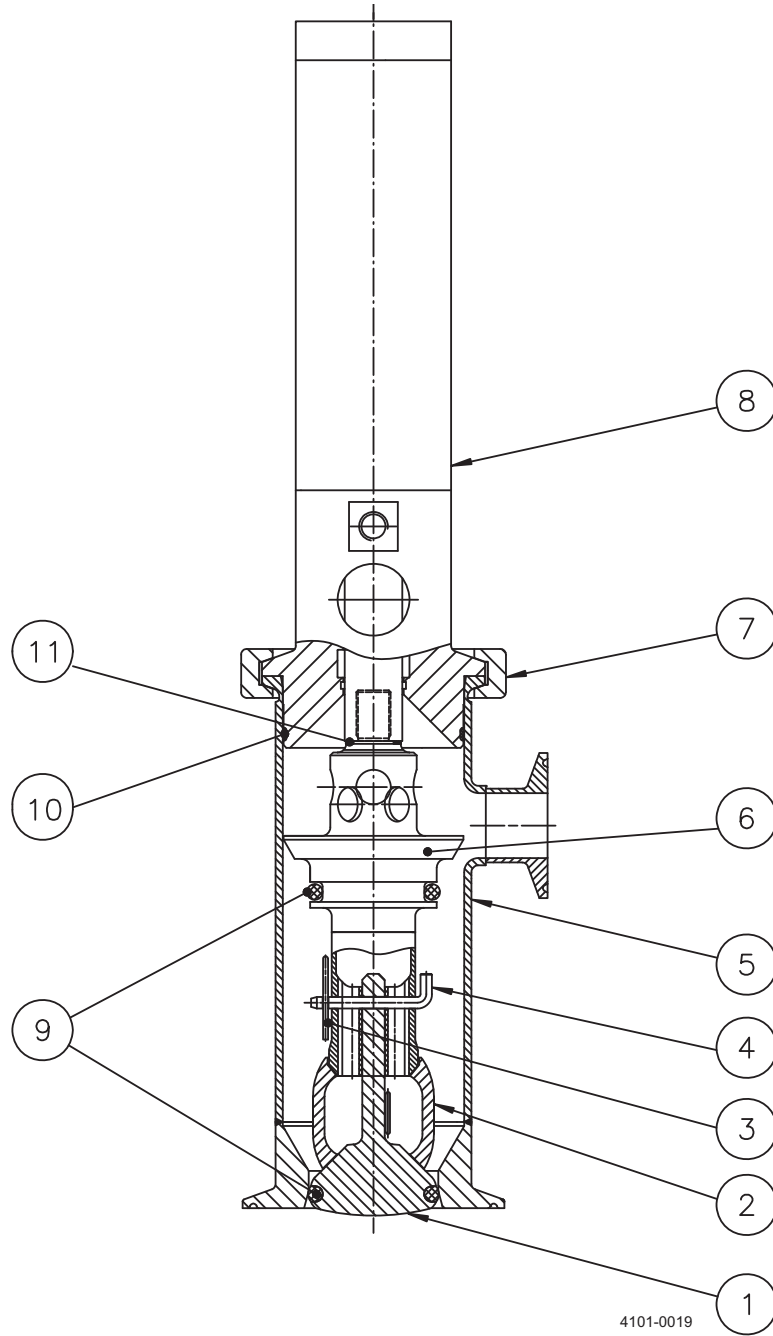
Tool

Strap lock 50-135 mm 9690007001



The strap lock tool is used to disassemble and reassemble the piston cylinder in order to replace the guide tape.

Cross sectional drawing
Toftejorg SaniMidget Retractor Media Driven, complete
Art. nos. TE75M000_032



Reference List of Parts

Toftejorg SaniMidget Retractor Media Driven, complete

Art. nos. TE75M000_032

Pos	Qty	Denomination	Item no.	Materials	Remarks
1	1	Valve	TE75M502	Stainless steel	Spare part
2	◆○★	Cleaner head	TE75M533	Polymer	Wear part
3	◆○★	Spring pin	TE52D549	Stainless steel	Spare part
4	◆○★	Lock-pin	TE75M529	Stainless steel	Spare part
5	1	Front tube, complete		Stainless steel	*Note
6	□	Piston, complete, Stroke length = 100	TE75M310	Assy	Spare part
	□	Piston, complete, Stroke length = 150	TE75M31015	Assy	Spare part
	□	Piston, complete, Stroke length = 250	TE75M31025	Assy	Spare part
7	1	Clamp ring	TE51S126	Stainless steel	Spare part
8	□	Cylinder, complete, Stroke length = 100	TE75M300	Assy - EPDM	Spare part
	□	Cylinder, complete, Stroke length = 150	TE75M30015	Assy - EPDM	Spare part
	□	Cylinder, complete, Stroke length = 250	TE75M30025	Assy - EPDM	Spare part
	□	Cylinder, complete, Stroke length = 100	TE75M300001	Assy - FPM	Spare part
	□	Cylinder, complete, Stroke length = 150	TE75M300151	Assy - FPM	Spare part
	□	Cylinder, complete, Stroke length = 250	TE75M300251	Assy - FPM	Spare part
	□	Cylinder, complete, Stroke length = 100	TE75M300002	Assy - Perflour	Spare part
	□	Cylinder, complete, Stroke length = 150	TE75M300152	Assy - Perflour	Spare part
	□	Cylinder, complete, Stroke length = 250	TE75M300252	Assy - Perflour	Spare part
9	□◆	O-ring, EPDM	TE51T166	EPDM	Spare part
	□○	O-ring, FPM	TE51T167	FPM	Spare part
	□★	O-ring, perflour	TE51T168	Perflour	Spare part
10	□◆	O-ring, EPDM	TE51T169	EPDM	Spare part
	□○	O-ring, FPM	TE51T170	FPM	Spare part
	□★	O-ring, perflour	TE51T171	Perflour	Spare part
11	1	Gasket	TE75M508	Polymer	Spare part

*Note: Position 5 is not sold as single Spare part component. Only sold as part of a machine maintenance/repair order. For further information please contact Alfa Laval Customer Support.

There are special conditions and rules regarding repair of ATEX certified machines so please check the Instruction Manual for your machine before doing any repairs.

Service kits

◆	Standard Spare part kit - EPDM	TE75M299
○	Standard Spare part kit - FPM	TE75M29901
★	Standard Spare part kit - Perflour	TE75M29902

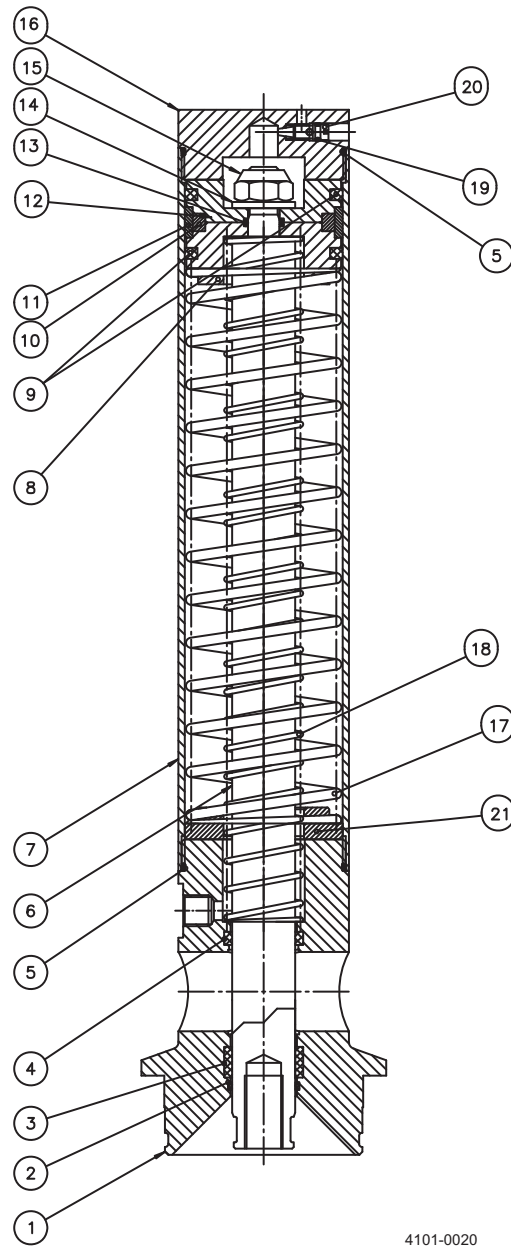
Parts marked with ◆ are included in the standard Spare part kit for SaniMidget Retractor - EPDM: TE75M299

Parts marked with ○ are included in the standard Spare part kit for SaniMidget Retractor - FPM: TE75M29901

Parts marked with ★ are included in the standard Spare part kit for SaniMidget Retractor - Perflour: TE75M29902

□ Configuration according to delivery note/order.

Cross sectional drawing
Cylinder for Toftejorg SaniMidget Retractor, Media Driven
Art. nos. TE75M300, TE73M30015, TE73M30025, TE73M300001, TE73M300151, TE73M300251,
TE73M300002, TE73M300152, TE73M300252



4101-0020

Reference List of Parts

Cylinder for Toftejorg SaniMidget Retractor Media Driven

Art. nos. TE75M300, TE73M30015, TE73M30025, TE73M300001, TE73M300151, TE73M300251, TE73M300002, TE73M300152, TE73M300252

Pos	Qty	Denomination	Item no.	Material
1	1	Adapter	TE75M500	Stainless steel
2	<input type="checkbox"/>	1 O-ring, EPDM	TE51T131	EPDM
	<input type="checkbox"/>	1 O-ring, FPM	TE51T134	FPM
	<input type="checkbox"/>	1 O-ring, Perflour	TE51T133	Perflour
3	1	Guide tape	TE51L076	
4	1	Wiper	TE51T085	
5	2	O-ring	TE51T063	Elastomer
6	<input type="checkbox"/>	1 Shaft, Stroke length = 100	TE75M520	Stainless steel
	<input type="checkbox"/>	1 Shaft, Stroke length = 150	TE75M521	Stainless steel
	<input type="checkbox"/>	1 Shaft, Stroke length = 250	TE75M522	Stainless steel
7	<input type="checkbox"/>	1 Cylinder, Stroke length = 100	TE75M551	Stainless steel
	<input type="checkbox"/>	1 Cylinder, Stroke length = 150	TE75M55115	Stainless steel
	<input type="checkbox"/>	1 Cylinder, Stroke length = 250	TE75M55125	Stainless steel
8	1	Piston	TE75M528	Polymer
9	2	Gasket for Piston	TE51U500	Rubber
10	1	Magnet ring	TE75M550	
11	1	Guide tape	TE51L077	
12	1	Piston	TE75M509	Polymer
13	1	O-ring	TE51T064	Elastomer
14	1	Washer	TE51B054	Stainless steel
15	1	Locking nut	TE51A524	Stainless steel
16	1	End cover	TE75M527	Stainless steel
17	<input type="checkbox"/>	1 Spring, Stroke length = 100	TE75M605	
	<input type="checkbox"/>	1 Spring, Stroke length = 150	TE75M606	
	<input type="checkbox"/>	1 Spring, Stroke length = 250	TE75M607	
18	<input type="checkbox"/>	1 Spring, Stroke length = 100	TE75M610	
	<input type="checkbox"/>	1 Spring, Stroke length = 150	TE75M611	
	<input type="checkbox"/>	1 Spring, Stroke length = 250	TE75M612	
19	1	O-ring	TE51T172	Elastomer
20	1	Air screw	TE75M553	Stainless steel
21	1	Spring connection	TE75M530	Polymer
22	1	Air filter	TE51U126	Stainless steel

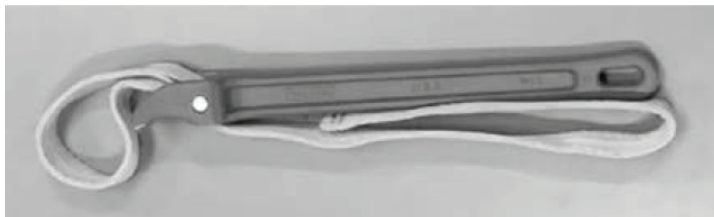
Configuration according to delivery note/order.

There are special conditions and rules regarding repair of ATEX certified machines so please check the Instruction Manual for your machine before doing any repairs.

Pos	Qty	Denomination	Item no.
-----	-----	--------------	----------

Tool

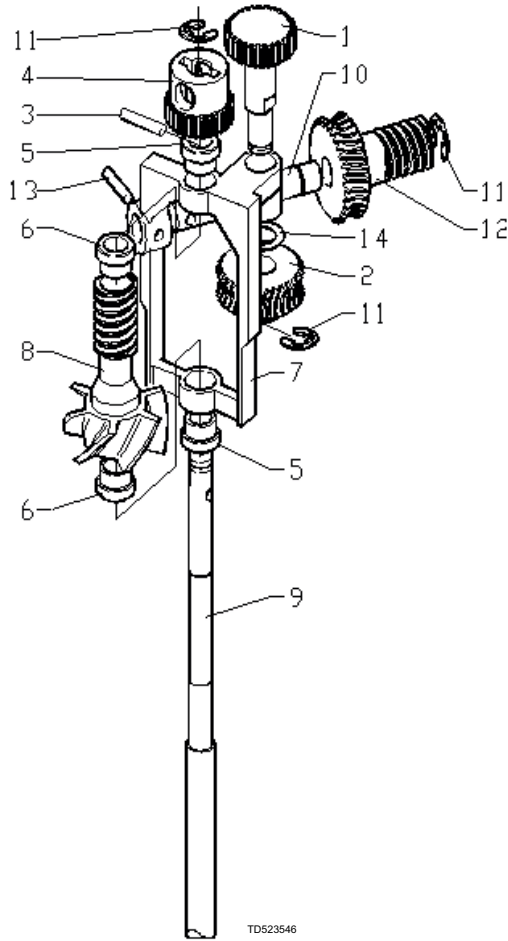
Strap lock 50-135 mm 9690007001



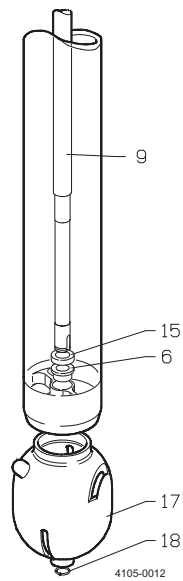
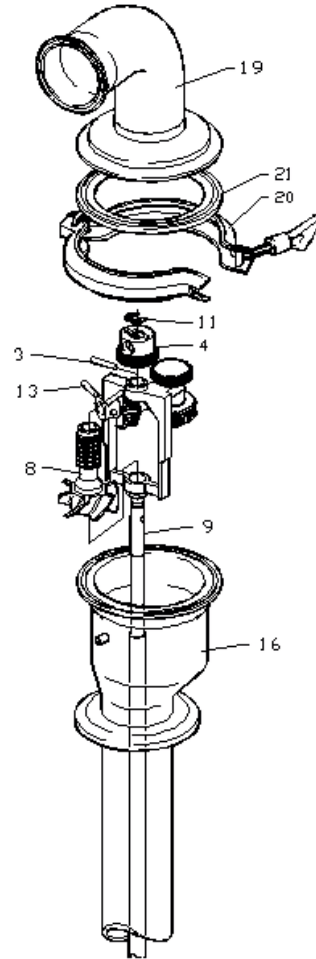
The strap lock tool is used to disassemble and reassemble the piston cylinder in order to replace the guide tape.

Not manufactured anymore

Exploded view drawings, Alfa Laval Toftejorg SaniMega



TD523546



4105-0012

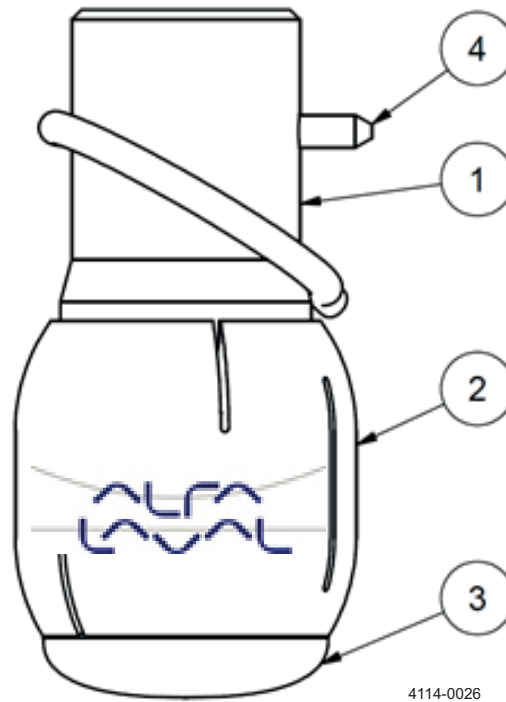
Reference list of parts, Alfa Laval Toftejorg SaniMega

Pos	Qty	Denomination	Item no.	Material	Remark
1	1	Pinion	TE12A514	Polymer	
2	1	Worm wheel	TE12A508	Stainless steel	
3	1	Cylindrical Pin	TE51C017	Stainless steel	
4	1	Gear wheel	TE12A506	Stainless steel	
5	2	Bush	TE12A528	Polymer	
6	3	Bearing f. Turbine shaft	TE20G640	Polymer	
7	1	Gear frame	TE12A505	Stainless steel	
8	1	Turbine shaft	TE12A509	Stainless steel	
9	1	Drive shaft	TE12A530/33	Stainless steel	
10	1	Shaft	TE12A507	Stainless steel	
11	3	Circlip	TE51C202	Stainless steel	
12	1	Horizontal shaft	TE12A513	Polymer	
13	1	Pin	TE51C004	Stainless steel	
14	1	Washer	TE12A515	Polymer	
15	1	Washer	TE12A566	Stainless steel	
16	1	Housing		Stainless steel	*Note
17	1	Cleaner head	TE12A573	Stainless steel	
18	1	Lock ring	TE12A559	Stainless steel	
19	1	Inlet connection	TE12A526	Stainless steel	
20	1	Clamp ring	9611993114	Stainless steel	
21	1	Gasket	TE51S118	Elastomer	

*Note: Pos. 16 is not sold as single spare part component but only as part of a machine maintenance/repair order.
For further information please contact Alfa Laval Customer Support.

Pos	Qty	Denomination	Item no.	Remarks
		Spare part kit	TE12A289	
Consisting of:				
3	2	Cylindrical Pin	TE51C017	Stainless steel
6	2	Bearing f. Turbine shaft	TE20G640	Polymer
11	3	Circlip	TE51C202	Stainless steel
12	1	Horizontal shaft	TE12A513	Polymer
18	1	Lock ring	TE12A559	Stainless steel

4.6

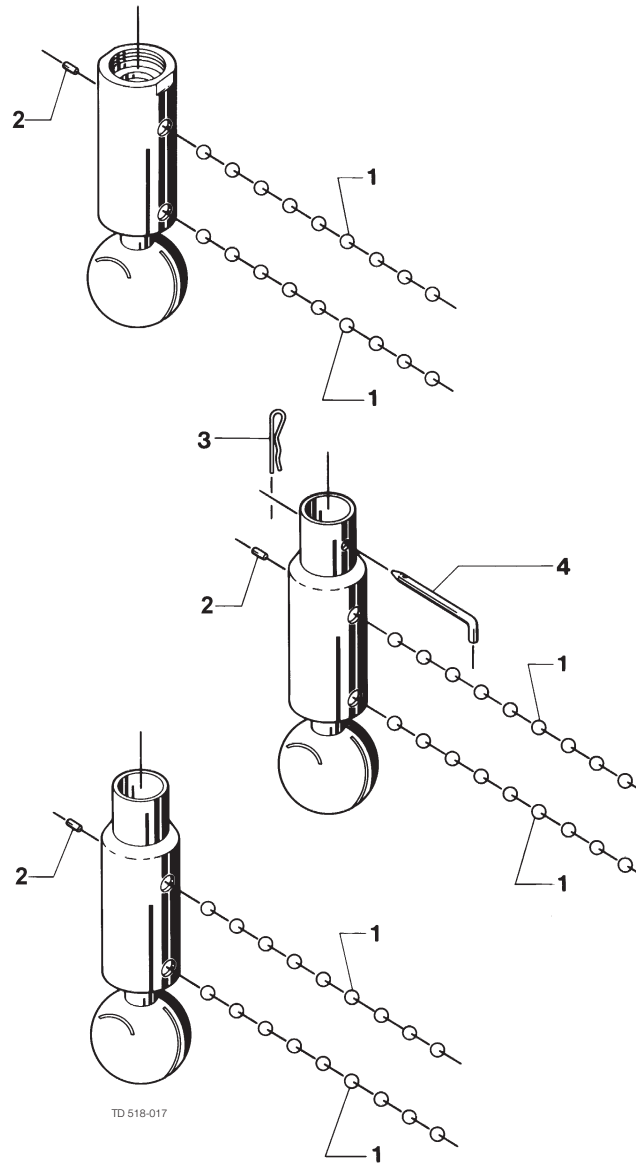


Pos	Qty	Denomination	Position 1 Connector AISI 316L	Position 2 Rotor PEEK 450G	UltraPure Position 2 Rotor PEEK MG	Position 3 Stator AISI 316L	Position 4 Clip AISI 316L
SaniMidget SB, SaniMagnum SB & SaniMega SB							
-		SaniMidget SB 360° 1" BPE US, TE16B102-x0	TE16B510	TE16B543*		TE16B521	TE16B562
-		SaniMidget SB 270° UP 1" BPE US, TE16B132-x0	TE16B510	TE16B540*		TE16B520	TE16B562
		SaniMidget SB 360° 1" BPE US, TE16B152-x0	TE16B515	TE16B552*		TE16B531	TE16B563
		SaniMidget SB 270° UP 1½" BPE US, TE16B182-x0	TE16B515	TE16B550*		TE16B530	TE16B563
		SaniMidget SB 360° 1" ISO 2037, TE16B202-x0	TE16B511	TE16B543*		TE16B521	TE16B562
		SaniMidget SB 360° 1" BPE US, TE16B203-x0	TE16B512	TE16B543*		TE16B521	TE16B562
		SaniMidget SB 270° UP 1" ISO 2037, TE16B232-x0	TE16B511	TE16B540*		TE16B520	TE16B562
		SaniMidget SB 270° UP 1" BPE US, TE16B233-x0	TE16B512	TE16B540*		TE16B520	TE16B562
		SaniMagnum SB 360° 1½" ISO 2037, TE17B102-x0	TE17B500	TE17B543*		TE16B531	TE16B563
		SaniMagnum SB 270° UP 1½" ISO 2037, TE17B132-x0	TE17B500	TE17B540*		TE16B530	TE16B563
		SaniMagnum SB 360° 1½" BPE US, TE17B203-x0	TE17B502	TE17B543*		TE16B531	TE16B563
		SaniMagnum SB 270° UP 1½" BPE US, TE17B233-x0	TE16B502	TE17B540*		TE16B530	TE16B563
		SaniMega SB 360° Clip on 2" BPE US, TE18B102-x0	TE18B500	TE18B543*		TE18B521	TE18B562
		SaniMega SB 270° UP Clip on 2" BPE US, TE18B132-x0	TE18B500	TE18B540*		TE18B520	TE18B562
		SaniMega SB 360° HF Clip on 2" BPE US, TE18B142-x0	TE18B500	TE18B544*		TE18B521	TE18B562
		SaniMega SB 270° UP HF Clip on 2" BPE US, TE18B152-x0	TE18B500	TE18B544*		TE18B521	TE18B562
		SaniMega SB 360° Weld on 2" BPE US, TE18B203-x0	TE18B502	TE18B543*		TE18B521	TE18B562
		SaniMega SB 270° UP Weld on 2" BPE US, TE18B233-x0	TE18B502	TE18B540*		TE18B520	TE18B562
		SaniMega SB 360° HF Weld on 2" BPE US, TE18B263-x0	TE18B502	TE18B544*		TE18B521	TE18B562
		SaniMega SB 270° UP HF Weld on 2" BPE US, TE18B293-x0	TE18B502	TE18B545*		TE18B520	TE18B562
SaniMidget SB, SaniMagnum SB & SaniMega SB UltraPure							
		SaniMidget SB 270° UP Clip on 1" BPE US, TE16B132x5	TE16B510		TE16B542*	TE16B520	TE16B562
		SaniMidget SB 360° Clip on 1" BPE US, TE16B102x5	TE16B510		TE16B546*	TE16B521	TE16B562
		SaniMidget SB 270° UP Weld on 1" ISO 2037, TE16B232x5	TE16B511		TE16B542*	TE16B520	TE16B562
		SaniMidget SB 360° Weld on 1" ISO 2037, TE16B202x5	TE16B511		TE16B546*	TE16B521	TE16B562
		SaniMidget SB 270° UP Weld-on 1" BPE US, TE16B233-x5	TE16B512		TE16B542*	TE16B520	TE16B562
		SaniMidget SB 360° Weld on 1" BPE US, TE16B203x5	TE16B512		TE16B546*	TE16B521	TE16B562

*Wear part

Not manufactured anymore

4.6



Pos	Qty	Denomination	Dia. 45	Dia. 65
1	□	1 Ball bearings (one ball race)		
2	□	1 Stop pin		
3	1	1 Split pin	9611711220	9611711220
4	1	1 Lock pin	9611711200	9611711200

4.6

□		Ball bearing kit	9611992965	9611992966
---	--	-----------------------------------	-------------------	-------------------

2 pcs. Ball bearing kits to be ordered if all Balls have to be changed

900-162