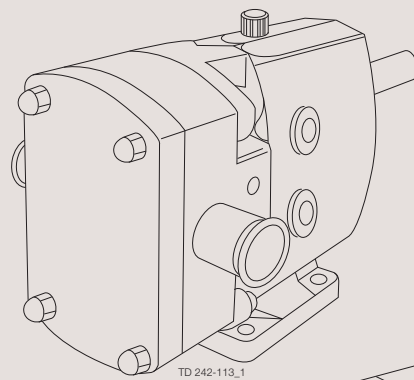


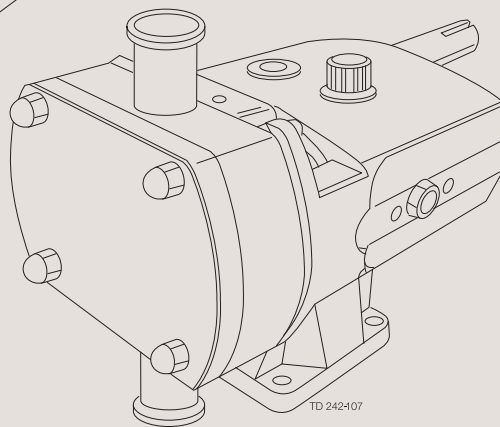


Spare Parts

Rotary Lobe Pumps - SX UltraPure Range



TD 242-113_1

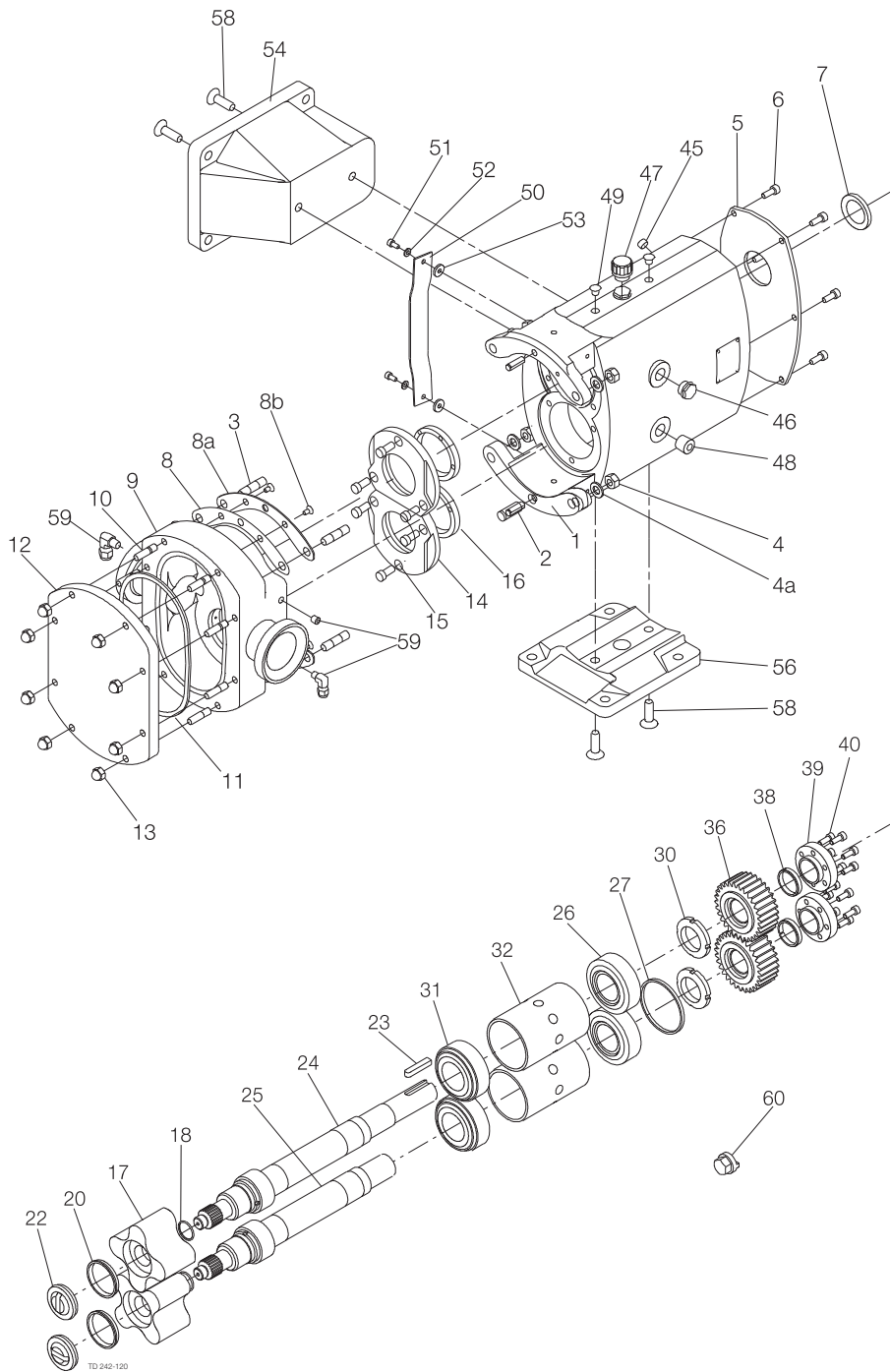


TD 242-107

Table of contents

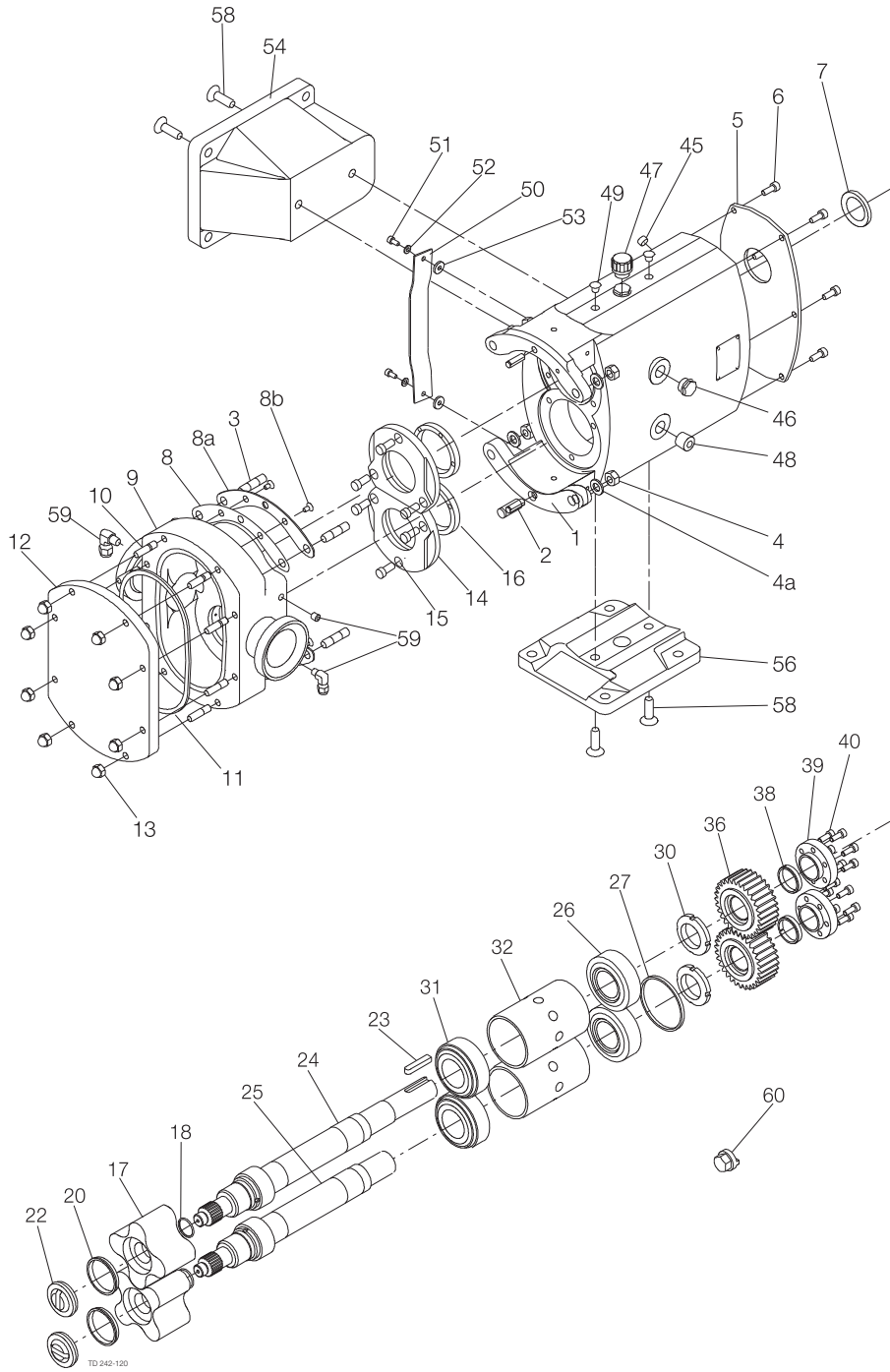
The information herein is correct at the time of issue but may be subject to change without prior notice

1. SX UltraPure 1 Pump Range	4
2. SX UltraPure 2 Pump Range	6
3. SX UltraPure 3 Pump Range	8
4. SX UltraPure 4 Pump Range	10
5. SX UltraPure 5 Pump Range	12
6. SX UltraPure 6 Pump Range	14
7. SX UltraPure 7 Pump Range	16
8. SX UltraPure 1-7, Cover/Rotor Seal Kits	18
9. Service Kits (R00 Single Mechanical Seals) - SX UltraPure Pump Range	19
10. Service Kits (R00 Single Flushed Mechanical Seals) - SX UltraPure Pump Range	20
11. Service Kits (R00 Double Mechanical Seals) SX UP1-2 Pump Models	21
12. Service Kits (R00 Double Mechanical Seals) SX UP3-4 Pump Models	22
13. Service Kits (R00 Double Mechanical Seals) SX UP5-6 Pump Models	23
14. Service Kits (R00 Double Mechanical Seals) SX UP7 Pump Models	24
15. SX UltraPure R00 Single Mechanical Seals (Complete)	26
16. SX UltraPure R00 Single Flushed Mechanical Seals (Complete)	28
17. R00 Double Mechanical Seals (Complete) - SX UltraPure 1-3 Pump Range	30
18. R00 Double Mechanical Seals (Complete) - SX UltraPure 4-6 Pump Models	32
19. R00 Double Mechanical Seals (Complete) - SX UltraPure 7 Pump Models	34
20. R00 Mechanical Seals (Parts) - SX UP1 and SX UP2 Pump Models	36
21. R00 Mechanical Seals (Parts) - SX UP3 and SX UP4 Pump Models	37
22. R00 Mechanical Seals (Parts) - SX UP5 and SX UP6 Pump Models	38
23. R00 Mechanical Seals (Parts) - SX UP7 Pump Models	39
24. SX UltraPure ATEX Parts	40
25. Revision History - SX UltraPure Pump Range	41



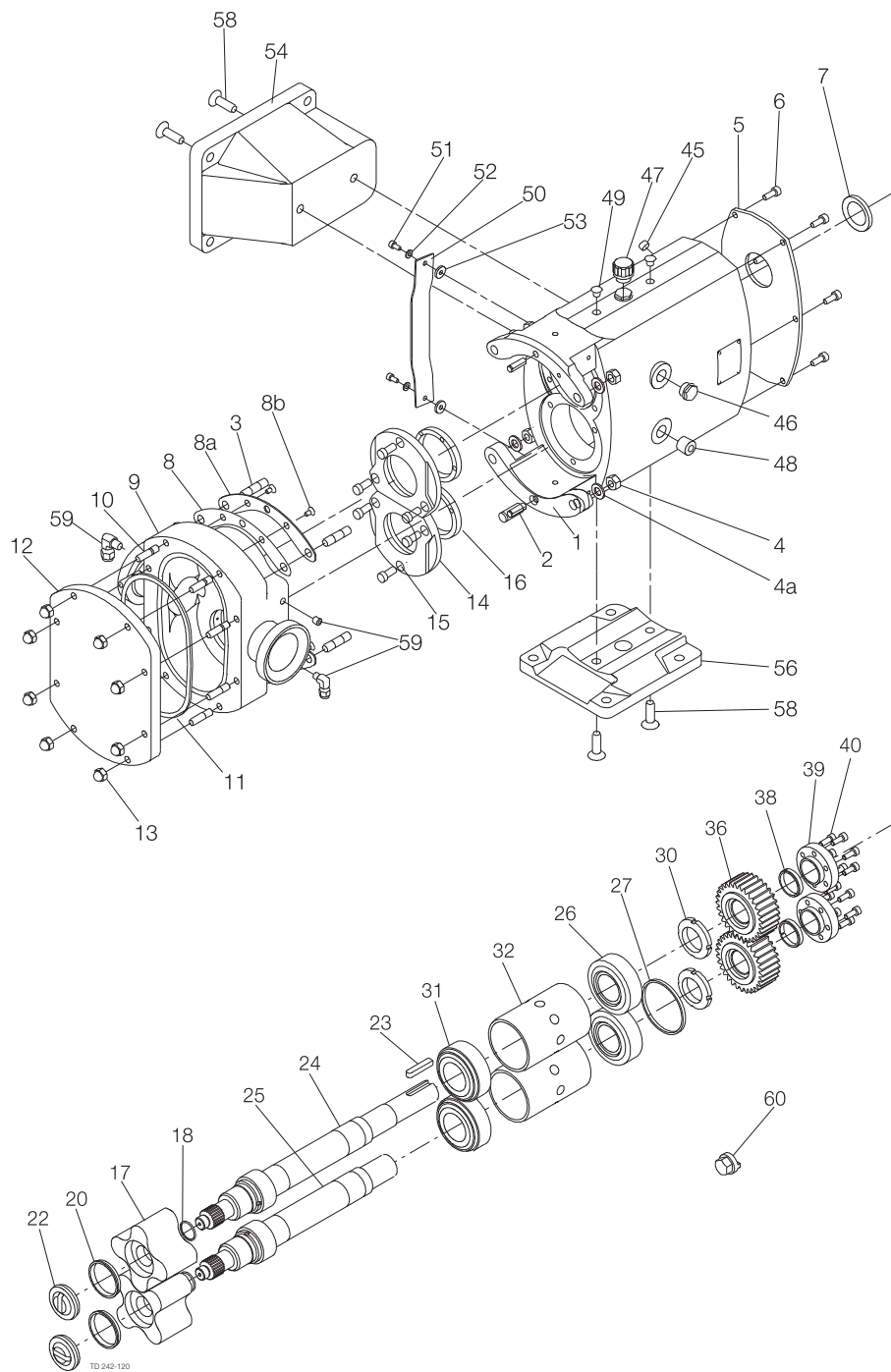
SX UltraPure 1 Pump Range

Pos	Qty	Denomination	Reference Part	
			No.	Item No.
1	1	Gearcase	5220,791	9630650041
2	2	Dowel	5170,049	9630998448
3	4	Stud, rotorcase retention & cover retention, SX UP1/005	6350,146	9630074135
	4	Stud, rotorcase retention, SX UP 1/007	6350,135	9630052259
4	4	Nut, rotorcase retention	5330,003	9630024057
4a	4	Washer, rotorcase retention	6400,036	9630024231
5	1	Cover gearcase	5120,211	9630863237
6	6	Screw gearcase cover	5990,045	9630030332
7	1	Lip seal, rear	5310,078	9630032806
8	1	Shim - standard, (for ATEX pump see 'ATEX Parts') Polymex	6150.150	9630034305
set				
8a	2	Shim retainer	6150,261	9630050684
8b	4	Screw, shim retainer	6000,010	9630050533
9	1	Rotorcase, 1" (25mm) connections DIN1 1851, SX UP1/005	9003.090S	9630102095
	1	Rotorcase, 1" (25mm) connections SMS, SX UP1/005	9003.074S	9630102093
	1	Rotorcase, 1" (25mm) connections Tri-clamp, SSX UP1/005	9003.082S	9630102092
	1	Rotorcase, 1" (25mm) connections - Electropolished Tri-clamp, SX UP1/005	9003.082SEP	9630857386
	1	Rotorcase, 1.1/2" (40mm) connections DIN1 1851, SX UP1/007	9004.276S	9630102116
	1	Rotorcase, 1.1/2" (40mm) connections SMS, SX UP1/007	9004.253S	9630102114
	1	Rotorcase, 1.1/2" (40mm) connections Tri-clamp SX UP1/007	9004.274S	9630102112
	1	Rotorcase, 1.1/2" (40mm) connections - Electropolished Tri-clamp, SX UP1/007	9004.274SEP	9630124737
10	4	Stud, rotorcase/cover retention, SX UP1/007	6350,135	9630052259
11	1	Compression joint, USP Class VI FPM	5381,101	9630070718
	1	Compression joint, USP Class VI Silicone	5381,104	9630070719
	1	Compression joint, USP Class VI, EPDM	5381,105	9630070720
12	1	Cover, rotorcase	5130,431	9630070814
	1	Cover, rotorcase - Electropolished	5130.431EP	9630124854
13	4	Dome nut, rotorcase cover	5340,029	9630024095
14	2	Retainer, seal	5560,111	9630863330
15	6	Screw, seal retainer	5990,045	9630030332
16	2	Lip seal, gland end	5310,138	9630072343
17	2	Rotor, Stainless Steel, 6 bar 150°C, SX UP1/005	5780.005FA	9630111925
	2	Rotor, Stainless Steel, 12 bar 150°C, SX UP1/007	5780.005MA	9630112717
	2	Rotor, Stainless Steel, 7 bar 150°C, SX UP1/007	5780.007GA	9630126009
	2	Rotor, Stainless Steel - Electropolished, 6 bar 150°C, SX UP1/005	5780.005FAEP	9630857269
	2	Rotor, Stainless Steel - Electropolished, 12 bar 150°C, SX UP1/007	5780.005MAEP	9630857270
	2	Rotor, Stainless Steel - Electropolished, 7 bar 150°C, SX UP1/007	5780.007GAEP	9630857261
20	2	Cup seal, rotor retainer, USP Class VI, FPM	5382,001	9630070696
	2	Cup seal, rotor retainer, USP Class VI, Silicone	5382,004	9630070698
	2	Cup seal, rotor retainer, USP Class VI, EPDM	5382,005	9630070697
22	2	Rotor retainer	5900,201	9630070730
	2	Rotor retainer, Electropolished	5900.201EP	9630857306
23	1	Key	5270,030	9630031498
24	1	Shaft, drive, SX UP1/005	6110,740	9630070799
	1	Shaft, drive, SX UP1/007	6110,741	9630070800
25	1	Shaft, auxiliary, SX UP1/005	6100,740	9630070798
	1	Shaft, auxiliary, SX UP1/007	6100,741	9630070801
26	2	Bearing, rear	5080,011	9630029026
27	1	Spacer, shaft abutment	5670.061.01	9630032664
30	2	Nut, bearing	5340,040	9630029135
31	2	Bearing, front	5080,011	9630029026
32	2	Spacer, bearing	5670,100	9630033403
36	2	Timing gear	5210,079	9630069308
38	2	Torque locking element	5615,013	9630025151
39	2	Clamp plate	5110,039	9630031371
40	12	Screw, clamp plate	5990,044	9630030096
45	2	Drain plug	5470,001	9630024417
46	1	Sight glass, standard (for ATEX pump see 'ATEX Parts')	5480,001	9630032778
47	1	Filler plug, standard (for ATEX pump see 'ATEX Parts')	5470,031	9630651688
48	2	Plug	5470,025	9630104561
49	4	Blanking plug	5470,022	9630089950
50	2	Gland guard, standard (for ATEX pump see 'ATEX Parts')	5243,141	9630111575
51	4	Screw, gland guard	6000,010	9630050533
53	4	Washer, gland guard	6400,128	9630924711
54	1	Foot, vertical port	5225,621	9630651709
56	1	Foot, horizontal port	5225,301	9630070561
58	2	Screw, foot	6000,016	9630074795
60	1	Tool, rotor retainer	6380,191	9630070709



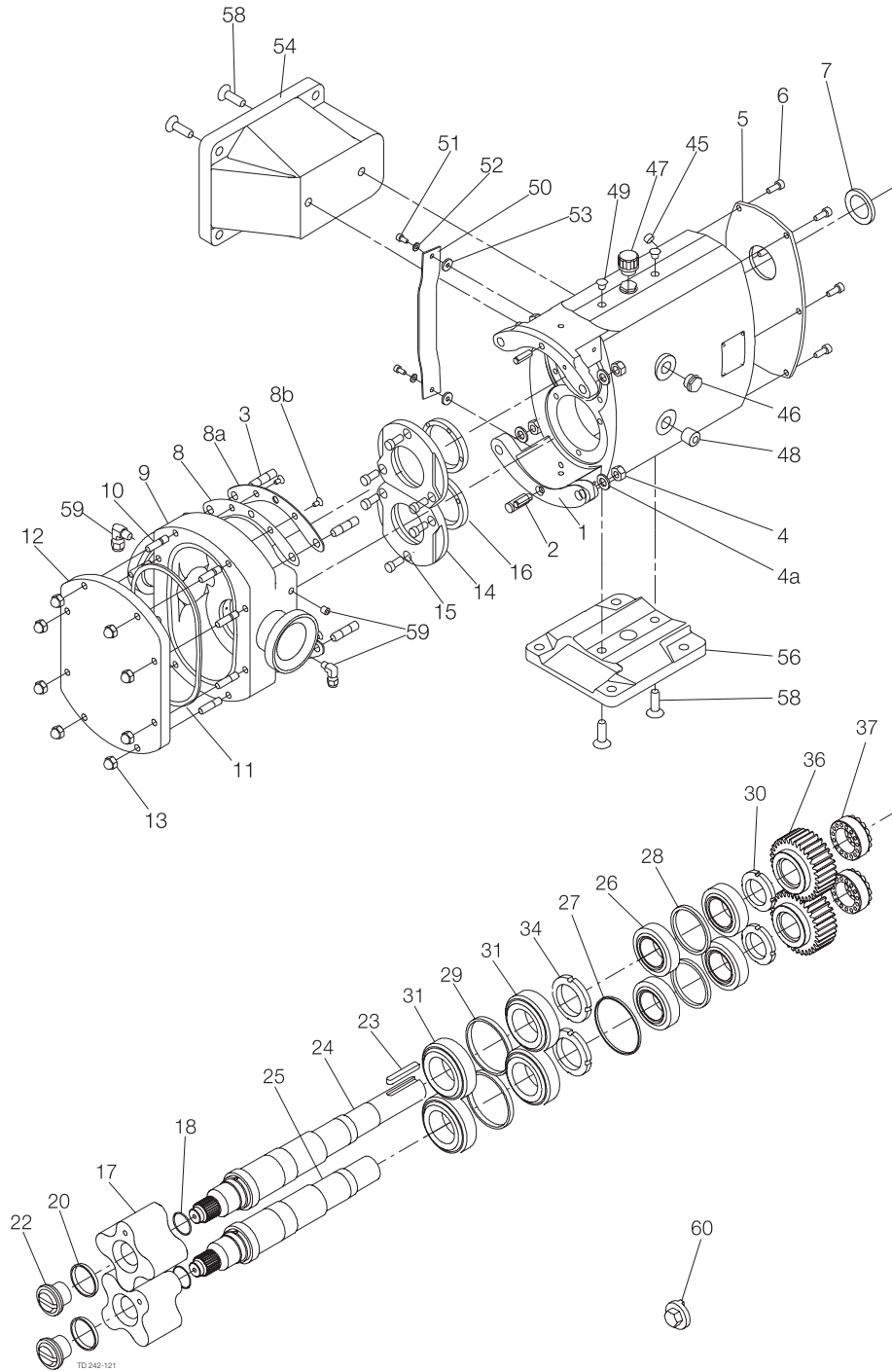
SX UltraPure 2 Pump Range

Pos	Qty	Denomination	Reference Part	
			No.	Item No.
1	1	Gearcase	5220,792	9630650042
2	2	Dowel	5170,049	9630998448
3	4	Stud, rotorcase retention	6350,136	9630052261
4	4	Nut, rotorcase retention	5330,000	9630024051
4a	4	Washer, rotorcase retention	6400,037	9630024233
5	1	Cover gearcase	5120,212	9630862407
6	6	Screw, gearcase cover	5990,045	9630030332
7	1	Lip seal, rear	5310,079	9630032807
8	1	Shim, standard (for ATEX pump see 'ATEX Parts') Polymex	6150.152	9630034199
		set		
8a	2	Shim retainer	6150,312	9630089541
8b	4	Screw, shim retainer	6000,010	9630050533
9	1	Rotorcase, 1.1/2" (40mm) DIN11851, SX UP2/013	9005.276S	9630102158
	1	Rotorcase, 1.1/2" (40mm) connections SMS, SX UP2/013	9005.253S	9630102161
	1	Rotorcase, 1.1/2" (40mm) connections Tri-clamp, SX UP2/013	9005.274S	9630102119
	1	Rotorcase, 1.1/2" (40mm) connections - Electropolished Tri-clamp, SX UP2/013	9005.274SEP	9630124208
	1	Rotorcase, 2" (50mm) connections DIN11851, SX UP2/018	9006.235S	9630102162
	1	Rotorcase, 2" (50mm) connections SMS, SX UP2/018	9006.234S	9630102165
	1	Rotorcase, 2" (50mm) connections Tri-clamp, SX UP2/018	9006.271S	9630102166
	1	Rotorcase, 2" (50mm) connections - Electropolished Tri-clamp, SX UP2/018	9006.271SEP	9630857387
10	4	Stud, rotorcase/cover retention	6350,094	9630024086
11	1	Compression joint, USP Class VI, FPM	5381,201	9630070193
	1	Compression joint, USP Class VI, Silicone	5381,204	9630070194
	1	Compression joint, USP Class VI, EPDM	5381,205	9630070195
12	1	Cover, rotorcase	5130,432	9630069665
	1	Cover, rotorcase, Electropolished	5130.432EP	9630124209
13	4	Dome nut, rotorcase cover	5340,047	9630029651
14	2	Retainer, seal	5560,112	9630862405
15	6	Screw, seal retainer	5990,052	9630021069
16	2	Lip seal, front	5310,107	9630043050
17	2	Rotor, Stainless Steel, 5 bar 150°C, SX UP2/013	5780.013E.A	9630103470
	2	Rotor, Stainless Steel, 15 bar 150°C, SX UP2/013	5780.013R.A	9630105398
	2	Rotor, Stainless Steel, 7 bar 150°C, SX UP2/018	5780.018G.A	9630110785
	2	Rotor, Stainless Steel - Electropolished, 5 bar 150°C, SX UP2/013	5780.013E.AEP	9630856270
	2	Rotor, Stainless Steel - Electropolished, 15 bar 150°C, SX UP2/013	5780.013R.AEP	9630856271
	2	Rotor, Stainless Steel - Electropolished, 7 bar 150°C, SX UP2/018	5780.018G.AEP	9630857263
20	2	Cup seal, rotor retainer, USP Class VI, FPM	5382,101	9630069429
	2	Cup seal, rotor retainer, USP Class VI, Silicone	5382,104	9630069427
	2	Cup seal, rotor retainer, USP Class VI, EPDM	5382,105	9630069424
22	2	Rotor retainer, SX UP2/013	5900,202	9630069548
	2	Rotor retainer, SX UP2/018	5900,212	9630070034
	2	Rotor retainer, Electropolished, SX UP2/013	5900.202EP	9630124210
	2	Rotor retainer, Electropolished, SX UP2/018	5900.212EP	9630857329
23	1	Key	5270,007	9630023916
24	1	Shaft, drive	6110,742	9630069668
25	1	Shaft, auxiliary	6100,742	9630069666
26	2	Bearing, rear	5080,022	9630069297
27	1	Spacer, shaft abutment	5670.168.01	9630069959
30	2	Nut, bearing	5340,041	9630029136
31	2	Bearing, front	5080,022	9630069297
32	2	Spacer, bearing	5670,162	9630069353
36	2	Timing gear	5210,077	9630069305
38	2	Torque locking element	5615,015	9630030115
39	2	Clamp plate	5110,040	9630031407
40	12	Screw, clamp plate	5990,007	9630024595
45	2	Drain plug	5470,001	9630024417
46	1	Sight glass, standard (for ATEX pump see 'ATEX Parts')	5480,001	9630032778
47	1	Filler plug, standard (for ATEX pump see 'ATEX Parts')	5470,031	9630651688
48	2	Plug	5470,025	9630104561
49	4	Blanking plug	5470,020	9630087278
50	2	Gland guard, standard (for ATEX pump see 'ATEX Parts')	5243,142	9630111576
51	4	Screw, gland guard	6000,010	9630050533
53	4	Washer, gland guard	6400,128	9630924711
54	1	Foot, vertical port	5225,622	9630651710
56	1	Foot, horizontal port	5225,302	9630069903
58	2	Screw, foot	6000,015	9630074794
60	1	Tool, rotor retainer	6380,191	9630070709



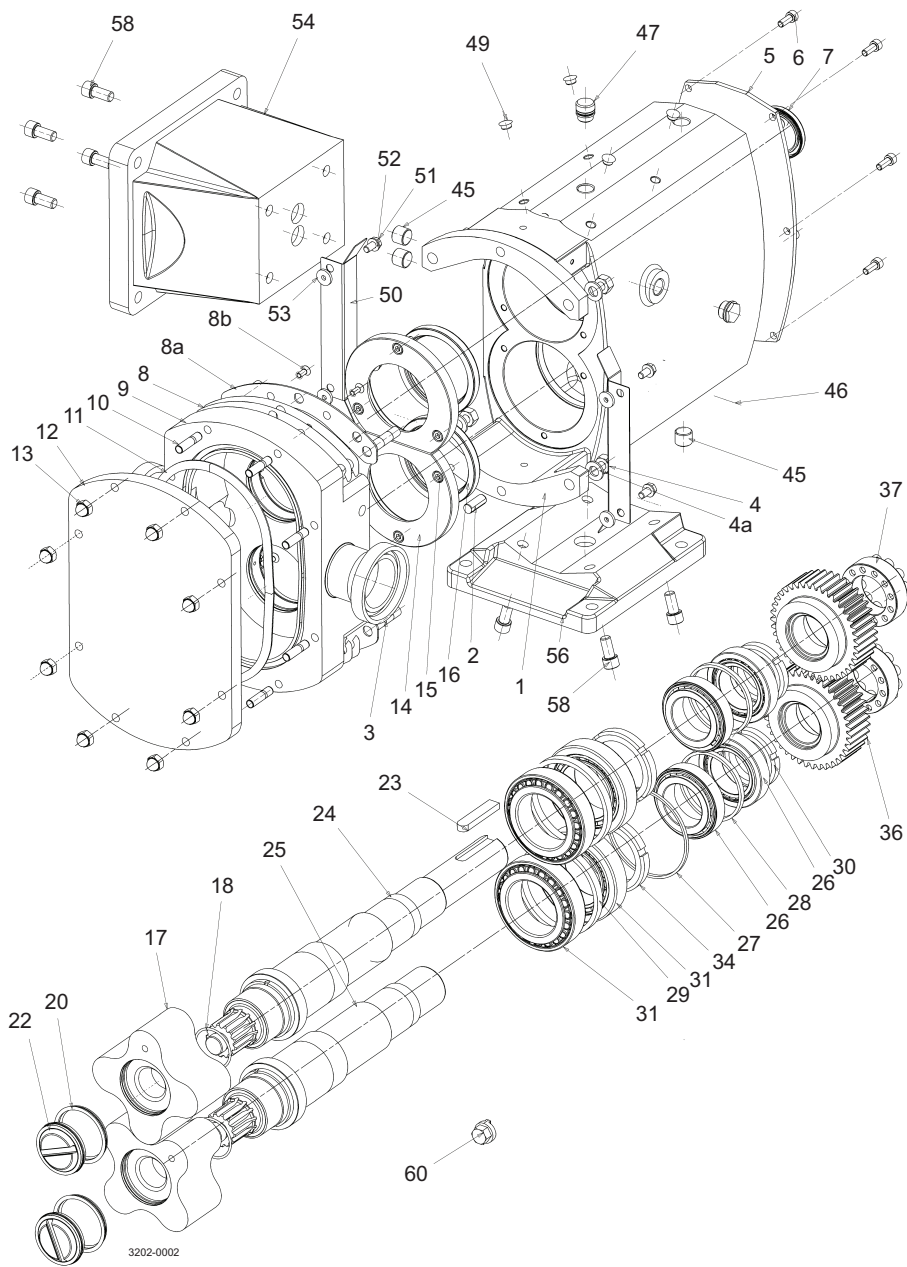
SX UltraPure 3 Pump Range

Pos	Qty	Denomination	Reference Part	
			No.	Item No.
1	1	Gearcase	5220.783	9630997612
2	2	Dowel	5170.050	9630998450
3	4	Stud, rotorcase retention	6350.137	9630052263
4	4	Nut, rotorcase retention	5330.000	9630024051
4A	4	Washer, rotorcase retention	6400.037	9630024233
5	1	Cover, gearcase	5120.203	9630863117
6	6	Screw, gearcase cover	5990.052	9630021069
7	1	Lip seal, rear	5310.080	9630032808
8	1	Shim, standard (for ATEX pump see 'ATEX Parts') Polymex	6150.154	9630034130
	set			
8A	2	Shim retainer	6150.313	9630089542
8B	4	Screw, shim retainer	6000.010	9630050533
9	1	Rotorcase, 2" (50mm) connections DIN11851, SX UP3/027	9007.235S	9630102167
	1	Rotorcase, 2" (50mm) connections SMS, SX UP3/027	9007.234S	9630102170
	1	Rotorcase, 2" (50mm) connections Tri-clamp, SX UP3/027	9007.271S	9630102171
	1	Rotorcase, 2" (50mm) connections - Electropolished Tri-clamp, SX UP3/027	9007.271SEP	9630854248
	1	Rotorcase, 2.1/2" (65mm) connections DIN11851, SX UP3/035	9008.651S	9630102172
	1	Rotorcase, 2.1/2" (65mm) connections SMS, SX UP3/035	9008.649S	9630102175
	1	Rotorcase, 2.1/2" (65mm) connections Tri-clamp, SX UP3/035	9008.650S	9630102176
	1	Rotorcase, 2.1/2" (65mm) connections - Electropolished Tri-clamp, SX UP3/035	9008.650SEP	9630857388
10	8	Stud, rotorcase/cover retention	6350.095	9630027490
11	1	Compression joint, USP Class VI, FPM	5381.301	9630070679
	1	Compression joint, USP Class VI, Silicone	5381.304	9630069223
	1	Compression joint, USP Class VI, EPDM	5381.305	9630069395
12	1	Cover, rotorcase	5130.433	9630069707
	1	Cover, rotorcase, Electropolished	5130.433EP	9630854255
13	8	Dome nut, rotorcase cover	5340.047	9630029651
14	2	Retainer, seal	5560.103	9630863116
15	6	Screw, seal retainer	5990.052	9630021069
16	2	Lip seal, front	5310.072	9630032798
17	2	Rotor, Stainless Steel 5 bar 150°C, SX UP3/027	5780.027E.A	9630124273
	2	Rotor, Stainless Steel 15 bar 150°C, SX UP3/027	5780.027R.A	9630102905
	2	Rotor, Stainless Steel 7 bar 150°C, SX UP3/035	5780.035G.A	9630113513
	2	Rotor, Stainless Steel - Electropolished 5 bar 150°C, SX UP3/027	5780.027E.AEP	9630126884
	2	Rotor, Stainless Steel - Electropolished 15 bar 150°C, SX UP3/027	5780.027R.AEP	9630855329
	2	Rotor, Stainless Steel - Electropolished 7 bar 150°C, SX UP3/035	5780.035G.AEP	9630857266
20	2	Cup seal, rotor retainer, USP Class VI, FPM	5382.201	9630069430
	2	Cup seal, rotor retainer, USP Class VI, Silicone	5382.204	9630069428
	2	Cup seal, rotor retainer, USP Class VI, EPDM	5382.205	9630069425
22	2	Rotor retainer, SX UP3/027	5900.203	9630069705
	2	Rotor retainer, SX UP3/035	5900.213	9630070261
	2	Rotor retainer, Electropolished SX UP3/027	5900.203EP	9630855861
	2	Rotor retainer, Electropolished SX UP3/035	5900.213EP	9630857330
23	1	Key	5270.031	9630031499
24	1	Shaft, drive	6110.743	9630069745
25	1	Shaft, auxiliary	6100.743	9630069743
26	2	Bearing, rear	5080.013	9630029030
27	1	Spacer, shaft abutment	5670.063.01	9630032683
30	2	Nut, bearing	5340.042	9630029137
31	2	Bearing, front	5080.013	9630029030
32	2	Spacer, bearing	5670.058	9630029695
36	2	Timing gear	5210.038	9630027688
38	4	Torque locking element	5615.016	9630030273
39	2	Clamp plate	5110.041	9630029175
40	12	Screw, clamp plate	5990.005	9630024591
45	2	Drain plug	5470.001	9630024417
46	1	Sight glass, standard (for ATEX pump see 'ATEX Parts')	5480.001	9630032778
47	1	Filler plug, standard (for ATEX pump see 'ATEX Parts')	5470.031	9630651688
48	2	Plug	5470.025	9630104561
49	4	Blanking plug	5470.020	9630087278
50	2	Gland guard, standard (for ATEX pump see 'ATEX Parts')	5243.143	9630111577
51	4	Screw, gland guard	5990.045	9630030332
52	4	Washer, gland guard	6400.046	9630030121
53	4	Washer, gland guard	6400.128	9630924711
54	1	Foot, vertical port	5225.623	9630651711
56	1	Foot, horizontal port	5225.303	9630070492
58	2	Screw, foot	6000.014	9630074776
60	1	Tool, rotor retainer	6380.191	9630070709



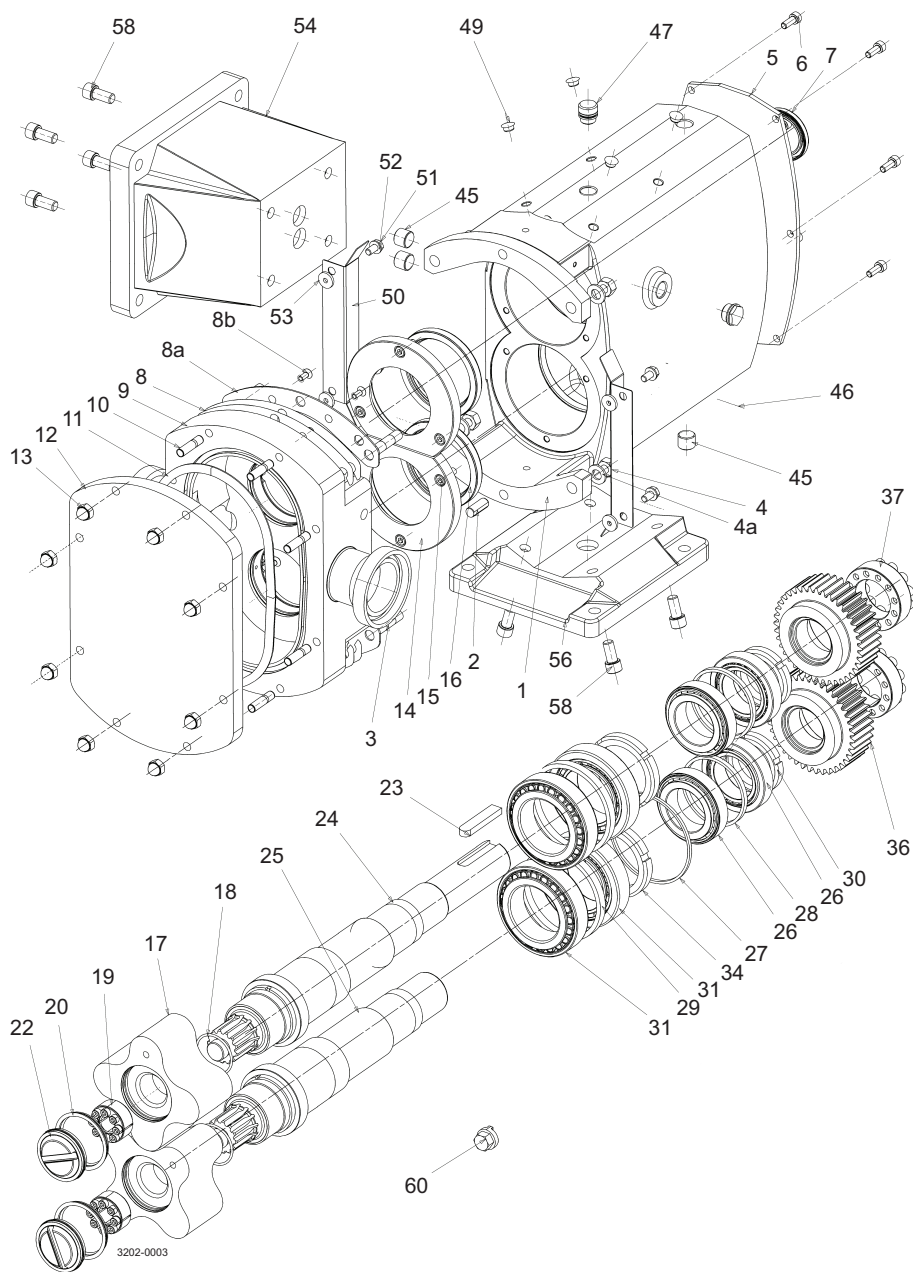
SX UltraPure 4 Pump Range

Pos	Qty	Denomination	Reference Part	
			No.	Item No.
1	1	Gearcase	5220,794	9630650044
2	2	Dowel	5170,050	9630998450
3	4	Stud, rotorcase retention	6350,138	9630052265
4	4	Nut, rotorcase retention	5330,001	9630024053
4a	4	Washer, rotorcase retention	6400,038	9630024236
5	1	Cover, gearcase	5120,214	9630863239
6	6	Screw, gearcase cover	5990,034	9630024635
7	1	Lip seal, rear	5310,081	9630032809
8	1	Shim, standard (for ATEX pump see 'ATEX Parts') Polymex	6150.156	9630033702
		set		
8a	2	Shim retainer	6150,314	9630089543
8b	4	Screw, shim retainer	6000,010	9630050533
9	1	Rotorcase, 2" (50mm) connections DIN11851, SX UP4/046	9009.235S	9630102177
	1	Rotorcase, 2" (50mm) connections SMS, SX UP4/046	9009.234S	9630102181
	1	Rotorcase, 2" (50mm) connections Tri-clamp, SX UP4/046	9009.271S	9630102182
	1	Rotorcase, 2" (50mm) connections - Electropolished Tri-clamp, SX UP4/046	9009.271SEP	9630102647
	1	Rotorcase, 2.1/2" (65mm) connections DIN11851, SX UP4/063	9010.651S	9630102183
	1	Rotorcase, 2.1/2" (65mm) connections SMS, SX UP4/063	9010.649S	9630102186
	1	Rotorcase, 2.1/2" (65mm) connections Tri-clamp, SX UP4/063	9010.650S	9630102187
	1	Rotorcase, 2.1/2" (65mm) connections - Electropolished Tri-clamp, SX UP4/063	9010.650SEP	9630857389
10	8	Stud, rotorcase/cover retention	6350,104	9630019863
11	1	Compression joint, USP Class VI, FPM	5381,401	9630070399
	1	Compression joint, USP Class VI, Silicone	5381,404	9630070400
	1	Compression joint, USP Class VI, EPDM	5381,405	9630070401
12	1	Cover, rotorcase	5130,434	9630070403
	1	Cover, rotorcase, Electropolished	5130.434EP	9630102649
13	8	Dome nut, rotorcase cover	5340,047	9630029651
14	2	Retainer, seal	5560,114	9630863331
15	6	Screw, seal retainer	5990,052	9630021069
16	2	Lip seal, front	5310,074	9630032800
17	2	Rotor, Stainless Steel 5 bar 150°C, SX UP4/046	5780.046E.A	9630111763
	2	Rotor, Stainless Steel 15 bar 150°C, SX UP4/046	5780.046R.A	9630124836
	2	Rotor, Stainless Steel 5 bar 150°C, SX UP4/063	5780.063E.A	9630125362
	2	Rotor, Stainless Steel 10 bar 150°C, SX UP4/063	5780.063K.A	9630110663
	2	Rotor, Stainless Steel - Electropolished 5 bar 150°C, SX UP4/046	5780.046E.AEP	9630857271
	2	Rotor, Stainless Steel - Electropolished 15 bar 150°C, SX UP4/046	5780.046R.AEP	9630124837
	2	Rotor, Stainless Steel - Electropolished 5 bar 150°C, SX UP4/063	5780.063E.AEP	9630857272
	2	Rotor, Stainless Steel - Electropolished 10 bar 150°C, SX UP4/063	5780.063K.AEP	9630857273
20	2	Cup seal, rotor retainer, USP Class VI, FPM	5382,301	9630069423
	2	Cup seal, rotor retainer, USP Class VI, Silicone	5382,304	9630069422
	2	Cup seal, rotor retainer, USP Class VI, EPDM	5382,305	9630069421
22	2	Rotor retainer, SX UP4/046	5900,204	9630070338
	2	Rotor retainer, SX UP4/063	5900,214	9630070339
	2	Rotor retainer, Electropolished SX UP4/046	5900.204EP	9630112103
	2	Rotor retainer, Electropolished SX UP4/063	5900.214EP	9630857331
23	1	Key	5270,011	9630023932
24	1	Shaft, drive	6110,744	9630070376
25	1	Shaft, auxiliary	6100,744	9630070374
26	4	Bearing, rear	5080,014	9630029032
27	1	Spacer, shaft abutment	5670.169.01	9630070443
28	2	Spacer, bearing rear	5670,050	9630070381
29	2	Spacer, bearing front	5670,164	9630027142
30	2	Nut, bearing rear	5340,043	9630029138
31	4	Bearing, front	5080,023	9630069300
34	2	Nut, bearing front	5340,035	9630024100
36	2	Timing gear	5210,078	9630069307
37	2	Torque locking assembly	5615,000	9630024451
45	2	Drain plug	5470,001	9630024417
46	1	Sight glass, standard (for ATEX pump see 'ATEX Parts')	5480,001	9630032778
47	1	Filler plug, standard (for ATEX pump see 'ATEX Parts')	5470,031	9630651688
48	2	Plug	5470,025	9630104561
49	4	Blanking plug	5470,021	9630089949
50	2	Gland guard, standard (for ATEX pump see 'ATEX Parts')	5243,144	9630111562
51	4	Screw, gland guard	5990,045	9630030332
52	4	Washer, gland guard	6400,046	9630030121
53	4	Washer, gland guard	6400,128	9630924711
54	1	Foot, vertical port	5225,624	9630651712
56	1	Foot, horizontal port	5225,304	9630070368
58	2	Screw, foot	6000,013	9630074775
60	1	Tool, rotor retainer	6380,192	9630070769



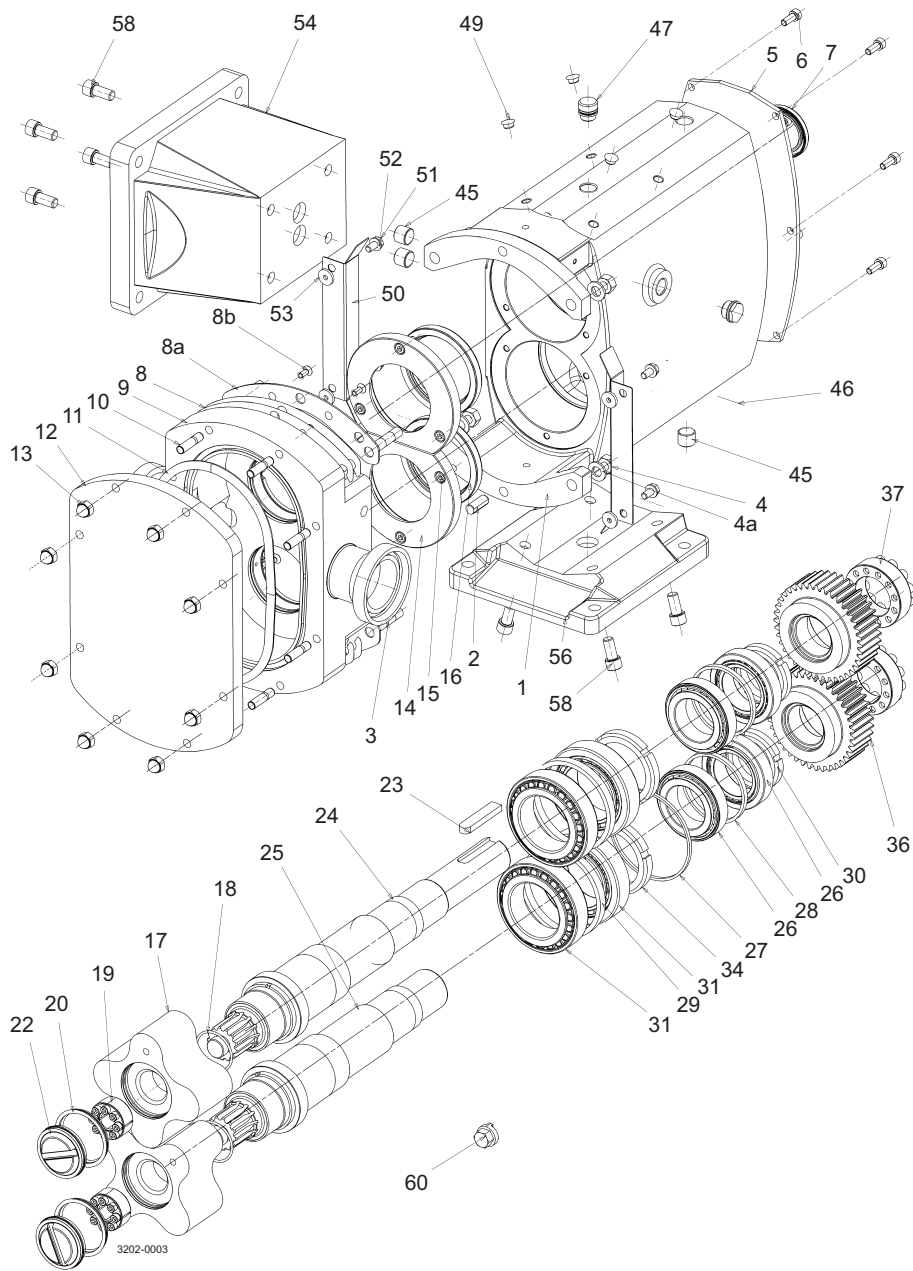
SX UltraPure 5 Pump Range

Pos	Qty	Denomination	Reference Part	
			No.	Item No.
1	1	Gearcase	5220,785	9630997614
2	2	Dowel	5170,050	9630998450
3	4	Stud, rotorcase retention	6350,138	9630052265
4	4	Nut, rotorcase retention	5330,001	9630024053
4a	4	Washer, rotorcase retention	6400,038	9630024236
5	1	Cover, gearcase	5120,220	9630651242
6	5	Screw, gearcase cover	5990,034	9630024635
7	1	Lip seal, rear	5310,082	9630032810
8	1	Shim - standard, (for ATEX pump see 'ATEX Parts') Polymex	6150,158	9630033860
		set		
8a	2	Shim retainer	6150,315	9630089544
8b	4	Screw, shim retainer	6000,010	9630050533
9	1	Rotorcase, 2.1/2" (65mm) connections DIN11851, SX UP5/082	9011.651S	9630102188
	1	Rotorcase, 2.1/2" (65mm) connections SMS, SX UP5/082	9011.649S	9630102191
	1	Rotorcase, 2.1/2" (65mm) connections Tri-clamp, SX UP5/082	9011.650S	9630102192
	1	Rotorcase, 2.1/2" (65mm) connections - Electropolished Tri-clamp, SX UP5/082	9011.650SEP	9630857390
	1	Rotorcase, 3" (80mm) connections DIN11851, SX UP5/115	9012.671S	9630102193
	1	Rotorcase, 3" (80mm) connections SMS, SX UP5/115	9012.669S	9630102196
	1	Rotorcase, 3" (80mm) connections Tri-clamp, SX UP5/115	9012.670S	9630102124
	1	Rotorcase, 3" (80mm) connections - Electropolished Tri-clamp SX UP5/115	9012.670SEP	9630854547
10	8	Stud, rotorcase/cover retention	6350,104	9630019863
11	1	Compression joint, USP Class VI, FPM	5381,501	9630071979
	1	Compression joint, USP Class VI, Silicone	5381,504	9630071980
	1	Compression joint, USP Class VI, EPDM	5381,505	9630071981
12	1	Cover, rotorcase	5130,435	9630072005
	1	Cover, rotorcase, Electropolished	5130.435EP	9630854549
13	8	Dome nut, rotorcase cover	5340,047	9630029651
14	2	Retainer, seal	5560,105	9630863346
15	6	Screw, seal retainer	5990,034	9630024635
16	2	Lip seal, front	5310,076	9630032802
17	2	Rotor, Stainless Steel 15 bar 150°C, SX UP5/082	5780.082R.A	9630112549
	2	Rotor, Stainless Steel 10 bar 150°C, SX UP5/115	5780.115K.A	9630099553
	2	Rotor, Stainless Steel - Electropolished 15 bar 150°C, SX UP5/082	5780.082R.AEP	9630857274
	2	Rotor, Stainless Steel - Electropolished 10 bar 150°C, SX UP5/115	5780.115K.AEP	9630854548
20	2	Cup seal, rotor retainer, USP Class VI, FPM	5382,401	9630069432
	2	Cup seal, rotor retainer, USP Class VI, Silicone	5382,404	9630069431
	2	Cup seal, rotor retainer, USP Class VI, EPDM	5382,405	9630069426
22	2	Rotor retainer, SX UP5/082	5900,205	9630073103
	2	Rotor retainer, SX UP5/115	5900,215	9630073104
	2	Rotor retainer, Electropolished SX UP5/082	5900.205EP	9630857309
	2	Rotor retainer, Electropolished SX UP5/115	5900.215EP	9630857332
23	1	Key	5270,013	9630023940
24	1	Shaft, drive	6110,745	9630073081
25	1	Shaft, auxiliary	6100,745	9630073080
26	4	Bearing, rear	5080,015	9630029034
27	1	Spacer, shaft abutment	5670.067.01	9630035209
28	2	Spacer, bearing drive end	5670,049	9630031175
29	2	Spacer, bearing gland end	5670,051	9630031133
30	2	Nut, bearing rear	5340,035	9630024100
31	4	Bearing, front	5080,017	9630029036
34	2	Nut, bearing front	5340,045	9630029139
36	2	Timing gear	5210,034	9630031162
37	2	Torque locking assembly	5615,005	9630024455
45	7	Drain plug	5470,025	9631045610
46	1	Sight glass, standard (for ATEX pump see 'ATEX Parts')	5480,001	9630032778
47	1	Filler plug, standard (for ATEX pump see 'ATEX Parts')	5470,031	9630651688
50	2	Gland guard, standard (for ATEX pump see 'ATEX Parts')	5243,255	9630666813
51	4	Screw, gland guard	5990,045	9630030332
52	4	Washer, gland guard	6400,046	9630030121
53	4	Washer, gland guard	6400,128	9630924711
54	1	Foot, vertical port	5225,405	9630070568
56	1	Foot, horizontal port	5225,305	9630070567
58	4	Bolt, foot	31499.5212.1	9630038966
60	1	Tool, rotor retainer	6380,192	9630070769



SX UltraPure 6 Pump Range

Pos	Qty	Denomination	Reference Part	
			No.	Item No.
1	1	Gearcase	5220,786	9630997615
2	2	Dowel	5170,051	9630998451
3	4	Stud, rotorcase retention	6350,139	9630052267
4	4	Nut, rotorcase retention	5330,002	9630024055
4A	4	Washer, rotorcase retention	6400,041	9630024238
5	1	Cover, gearcase	5120,221	9630651243
6	5	Screw, gearcase cover	5990,034	9630024635
7	1	Lip seal, rear	5310,072	9630032798
8	1	Shim, standard (for ATEX pump see 'ATEX Parts') Polymex	6150.160	9630033391
	set			
8a	2	Shim retainer	6150,266	9630051782
8b	4	Screw, shim retainer	6000,010	9630050533
9	1	Rotorcase, 3" (80mm) connections DIN11851, SX UP6/140	9013.671S	9630102197
	1	Rotorcase, 3" (80mm) connections SMS, SX UP6/140	9013.669S	9630102200
	1	Rotorcase, 3" (80mm) connections Tri-clamp (3.1), SX UP6/140	9013.670S	9630102201
	1	Rotorcase, 3" (80mm)connections - Electropolished Tri-clamp (3.1), SX UP6/140	9013.670SEP	9630104827
	1	Rotorcase, 4" (100mm) connections DIN11851, SX UP6/190	9014.096S	9630102202
	1	Rotorcase, 4" (100mm) connections SMS, SX UP6/190	9014.080S	9630102205
	1	Rotorcase, 4" (100mm) connections Tri-clamp (3.1), SX UP6/190	9014.088S	9630102149
	1	Rotorcase, 4" (100mm) connections - Electropolished Tri-clamp (3.1), SX UP6/190	9014.088SEP	9630857391
10	8	Stud, rotorcase/cover retention	6350,098	9630030574
11	1	Compression joint, USP Class VI, FPM	5381,601	9630071982
	1	Compression joint, USP Class VI, Silicone	5381,604	9630071983
	1	Compression joint, USP Class VI, EPDM	5381,605	9630071984
12	1	Cover, rotorcase	5130,436	9630072006
	1	Cover, rotorcase, Electropolished	5130.436EP	9630111950
13	8	Dome nut, rotorcase cover	5340,022	9630024088
14	2	Retainer, seal	5560,106	9630863347
15	6	Screw, seal retainer	5990,034	9630024635
16	2	Lip seal, front	5310,077	9630032803
17	2	Rotor, Stainless Steel 15 bar 150°C, SX UP6/140	5780.140R.A	9630102913
	2	Rotor, Stainless Steel 10 bar 150°C, SX UP6/190	5780.190K.A	9630856717
	2	Rotor, Stainless Steel - Electropolished 15 bar 150°C, SX UP6/140	5780.140R.AEP	9630112415
	2	Rotor, Stainless Steel - Electropolished 10 bar 150°C, SX UP6/190	5780.190K.AEP	9630856993
19	2	Torque locking assembly	5615,022	9630938853
20	2	Cup seal, rotor retainer, USP Class VI, FPM	5382,501	9630069861
	2	Cup seal, rotor retainer, USP Class VI, Silicone	5382,504	9630069862
	2	Cup seal, rotor retainer, USP Class VI, EPDM	5382,505	9630069858
22	2	Rotor retainer	5900,206	9630073101
	2	Rotor retainer, Electropolished	5900.206EP	9630111951
23	1	Key	5270,013	9630023940
24	1	Shaft, drive, SX UP6/140	6110,746	9630073057
	1	Shaft, drive, SX UP6/190	6110,752	9630073058
25	1	Shaft, auxiliary, SX UP6/140	6100,746	9630073056
	1	Shaft, auxiliary, SX UP6/190	6100,752	9630073059
26	4	Bearing, rear	5080,017	9630029036
27	1	Spacer, shaft abutment	5670.068.01	9630034661
28	2	Spacer, bearing rear	5670,051	9630031133
29	2	Spacer, bearing front	5670,053	9630031135
30	2	Nut, bearing rear	5340,045	9630029139
31	4	Bearing, front	5080,019	9630029038
34	2	Nut, bearing front	5340,046	9630029140
36	2	Timing gear	5210,035	9630030718
37	2	Torque locking assembly	5615,005	9630024455
45	7	Drain plug	5470,025	9630101561
46	1	Sight glass, standard (for ATEX pump see 'ATEX Parts')	5480,001	9630032778
47	1	Filler plug, standard (for ATEX pump see 'ATEX Parts')	5470.031	9630651688
50	2	Gland guard, standard (for ATEX pump see 'ATEX Parts')	5243,256	9630666814
51	4	Screw, gland guard	5990,045	9630030332
52	4	Washer, gland guard	6400,04	9630030121
53	4	Washer, gland guard	6400,128	9630924711
54	1	Foot, vertical port	5225.406	9630070572
56	1	Foot, horizontal port	5225.306	9630070571
58	4	Bolt, foot	31499.5212.1	9630038966
60	1	Tool, rotor retainer	6380,192	9630070769
	1	Tool, rotor TLA clamp (not shown) complete:	6380,217	9630087290
	1	Comprising of: Clamp ring	6380,404	9630855562
	1	Comprising of: Clamp nut	6380,405	9630855565



SX UltraPure 7 Pump Range

Pos	Qty	Denomination	Reference Part	
			No.	Item No.
1	1	Gearcase	5220,517	9630070603
2	2	Dowel	5170,011	9630023467
3	4	Stud, rotorcase retention	6350,086	9630024029
4	4	Nut, rotorcase retention	5330,002	9630024055
4a	4	Washer, rotorcase retention	6400,041	9630024238
5	1	Cover, gearcase	5120,225	9630668405
6	6	Screw, gearcase cover	5990,034	9630024635
7	1	Lip seal, rear	5310,115	9630054369
8	1	Shim, standard (for ATEX pump see 'ATEX Parts') Polymex	6150,297	9630072392
	set			
8a	2	Shim retainer	6150,287	9630072385
8b	4	Screw, shim retainer	6000,010	9630050533
9	1	Rotorcase, 4" (100mm) connections DIN11851, SX UP7/250 ...	9015.096S	9630102206
	1	Rotorcase, 4" (100mm) connections SMS, SX UP7/250	9015.080S	9630102209
	1	Rotorcase, 4" (100mm) connections Tri-clamp, SX UP7/250	9015.088S	9630102150
	1	Rotorcase, 4" (100mm)connections - Electropolished Tri-clamp (3.1), SX UP7/250	9015.088SEP	9630857392
	1	Rotorcase, 6" (150mm) connections DIN11851, SX UP7/380 ...	9016.557S	9630085942
	1	Rotorcase, 6" (150mm) connections Tri-clamp, SX UP7/380	9016.518S	9630086312
	1	Rotorcase, 6" (150mm) connections - Electropolished Tri-clamp,SX UP7/380	9016.518SEP	9630857393
10	8	Stud, rotorcase/cover retention	6350,098	9630030574
11	1	Compression joint, USP Class VI, FPM	5381,701	9630071985
	1	Compression joint, USP Class VI, Silicone	5381,704	9630071986
	1	Compression joint, USP Class VI, EPDM	5381,705	9630071987
12	1	Cover, rotorcase	5130,437	9630072007
	1	Cover, rotorcase, Electropolished	5130.437EP	9630857259
13	8	Dome nut, rotorcase cover	5340,022	9630024088
14	2	Retainer, seal	5560,087	9630073028
15	6	Screw, seal retainer	5990,078	9630060520
16	2	Lip seal, front	5310,139	9630074130
17	2	Rotor, Stainless Steel 15 bar 150°C, SX UP7/250	5780.250R.A	9630126267
	2	Rotor, Stainless Steel 10 bar 150°C, SX UP7/380	5780.380K.A	9630102924
	2	Rotor, Stainless Steel - Electropolished 15 bar 150°C, SX UP7/250	5780.250R.AEP	9630857276
	2	Rotor, Stainless Steel - Electropolished 10 bar 150°C, SX UP7/380	5780.380K.AEP	9630857277
19	2	Torque locking assembly	5615,022	9630938853
20	2	Cup seal, rotor retainer, USP Class VI, FPM	5382,501	9630069861
	2	Cup seal, rotor retainer, USP Class VI, Silicone	5382,504	9630069862
	2	Cup seal, rotor retainer, USP Class VI,EPDM	5382,505	9630069858
22	2	Rotor retainer	5900,206	9630073101
	2	Rotor retainer, Electropolished	5900.206EP	9630111951
23	1	Key	5270,038	9630074134
24	1	Shaft, drive, SX UP7/250	6110,747	9630073020
	1	Shaft, drive, SX UP7/380	6110,749	9630073026
25	1	Shaft, auxiliary, SX UP7/250	6100,747	9630073021
	1	Shaft, auxiliary, SX UP7/380	6100,749	9630073027
26	4	Bearing, rear	5080,019	9630029038
27	1	Spacer, shaft abutment	5670.170.01	9630072526
28	2	Spacer, bearing rear	5670,053	9630031135
29	2	Spacer, bearing front	5670,167	9630072283
30	2	Nut, bearing rear	5340,046	9630029140
31	4	Bearing, front	5080,024	9630070846
34	2	Nut, bearing front	5340,037	9630025231
36	2	Timing gear	5210,080	9630071347
37	2	Torque locking assembly	5615,012	9630025239
45	7	Drain plug	1660,008	9630023548
46	1	Sight glass, standard (for ATEX pump see 'ATEX Parts')	5480,001	9630032778
47	1	Filler plug, standard (for ATEX pump see 'ATEX Parts')	31491.0052.1	9630018599
50	2	Gland guard, standard (for ATEX pump see 'ATEX Parts')	5243,266	9630668680
51	4	Screw, gland guard	5990,045	9630030332
52	4	Washer, gland guard	6400,046	9630030121
53	4	Washer, gland guard	6400,128	9630924711
54	1	Foot, vertical port	5225.407	9630070576
56	1	Foot, horizontal port	5225.307	9630070575
58	4	Bolt, foot	5950,041	9630026609
60	1	Tool, rotor retainer	6380,192	9630070769
	1	Tool, rotor TLA clamp (not shown) complete:	6380,217	9630087290
	1	Comprising of: Clamp ring	6380,404	9630855562
	1	Comprising of: Clamp nut	6380,405	9630855565

8 SX UltraPure 1-7, Cover/Rotor Seal Kits

Pos	Qty	Denomination	SX UP1		SX UP2	
			Reference Part No.	SX UP1 Item No.	Reference Part No.	SX UP2 Item No.
		Cover / Rotor Seal Kit, EPDM USP Class VI	K61AA	9630110858	K62AA	9630110862
		Cover / Rotor Seal Kit, FPM USP Class VI	K61BA	9630110860	K62BA	9630110865
		Cover / Rotor Seal Kit, Silicone USP Class VI	K61CA	9630110861	K62CA	9630110866

Pos	Qty	Denomination	SX UP3		SX UP4	
			Reference Part No.	SX UP3 Item No.	Reference Part No.	SX UP4 Item No.
		Cover / Rotor Seal Kit, EPDM USP Class VI	K63AA	9630110867	K64AA	9630110870
		Cover / Rotor Seal Kit, FPM USP Class VI	K63BA	9630110868	K64BA	9630110871
		Cover / Rotor Seal Kit, Silicone USP Class VI	K63CA	9630110869	K64CA	9630110872

Pos	Qty	Denomination	SX UP5		SX UP6	
			Reference Part No.	SX UP5 Item No.	Reference Part No.	SX UP6 Item No.
		Cover / Rotor Seal Kit, EPDM USP Class VI	K65AA	9630110873	K66AA	9630110876
		Cover / Rotor Seal Kit, FPM USP Class VI	K65BA	9630110874	K66BA	9630110877
		Cover / Rotor Seal Kit, Silicone USP Class VI	K65CA	9630110875	K66CA	9630110878

Pos	Qty	Denomination	SX UP7	
			Reference Part No.	SX UP7 Item No.
		Cover / Rotor Seal Kit, EPDM USP Class VI	K67AA	9630110880
		Cover / Rotor Seal Kit, FPM USP Class VI	K67BA	9630110881
		Cover / Rotor Seal Kit, Silicone USP Class VI	K67CA	9630110882

9 Service Kits (R00 Single Mechanical Seals) - SX UltraPure Pump Range

Each kit comprises of 1 off Cover/Rotor Sealing Kit and 2 off complete Mechanical Seals for one pump.

Pos	Qty	Denomination	SX UP1		SX UP2	
			Reference Part No.	SX UP1 Item No.	Reference Part No.	SX UP2 Item No.
		Rotary Seal/Static Seal Ring, Silicon Carbide/Silicon Carbide, EPDM USP Class VI	K61AA-L21	9630857178	K62AA-L21	9630857179
		Rotary Seal/Static Seal Ring, Silicon Carbide/Silicon Carbide, FPM USP Class VI	K61BA-L22	9630880606	K62BA-L22	9630879061
		Rotary Seal/Static Seal Ring, Silicon Carbide/Silicon Carbide, Silicone USP Class VI	K61CA-L25	9630950766	K62CA-L25	9630925619

Pos	Qty	Denomination	SX UP3		SX UP4	
			Reference Part No.	SX UP3 Item No.	Reference Part No.	SX UP4 Item No.
		Rotary Seal/Static Seal Ring, Silicon Carbide/Silicon Carbide, EPDM USP Class VI	K63AA-L21	9630857180	K64AA-L21	9630857181
		Rotary Seal/Static Seal Ring, Silicon Carbide/Silicon Carbide, FPM USP Class VI	K63BA-L22	9630879729	K64BA-L22	9630866094
		Rotary Seal/Static Seal Ring, Silicon Carbide/Silicon Carbide, Silicone USP Class VI	K63CA-L25	9630939242	K64CA-L25	9630919921

Pos	Qty	Denomination	SX UP5		SX UP6	
			Reference Part No.	SX UP5 Item No.	Reference Part No.	SX UP6 Item No.
		Rotary Seal/Static Seal Ring, Silicon Carbide/Silicon Carbide, EPDM USP Class VI	K65AA-L21	9630857182	K66AA-L21	9630857183
		Rotary Seal/Static Seal Ring, Silicon Carbide/Silicon Carbide, FPM USP Class VI	K65BA-L22	9630881870	K66BA-L22	9630866095
		Rotary Seal/Static Seal Ring, Silicon Carbide/Silicon Carbide, Silicone USP Class VI	K65CA-L25	9630923899	K66CA-L25	9630950767

Pos	Qty	Denomination	SX UP7	
			Reference Part No.	SX UP7 Item No.
		Rotary Seal/Static Seal Ring, Silicon Carbide/Silicon Carbide, EPDM USP Class VI	K67AA-L21	9630857184
		Rotary Seal/Static Seal Ring, Silicon Carbide/Silicon Carbide, FPM USP Class VI	K67BA-L22	9630879211
		Rotary Seal/Static Seal Ring, Silicon Carbide/Silicon Carbide, Silicone USP Class VI	K67CA-L25	9630941206

Note: Q-Doc certification is standard with SX UltraPure Service Kits

10 Service Kits (R00 Single Flushed Mechanical Seals) - SX UltraPure Pump Range

Pos	Qty	Denomination	SX UP1		SX UP2	
			Reference Part No.	SX UP1 Item No.	Reference Part No.	SX UP2 Item No.
		Rotary Seal/Static Seal Ring, Silicon Carbide/Silicon Carbide, EPDM USP Class VI	K61AA-M41	9630950871	K62AA-M41	9630950893
		Rotary Seal/Static Seal Ring, Silicon Carbide/Silicon Carbide, FPM USP Class VI	K61BA-M42	9630950872	K62BA-M42	9630921071
		Rotary Seal/Static Seal Ring, Silicon Carbide/Silicon Carbide, Silicone USP Class VI	K61CA-M45	9630950873	K62CA-M45	9630950894
Pos	Qty	Denomination	SX UP3		SX UP4	
			Reference Part No.	SX UP3 Item No.	Reference Part No.	SX UP4 Item No.
		Rotary Seal/Static Seal Ring, Silicon Carbide/Silicon Carbide, EPDM USP Class VI	K63AA-M41	9630950919	K64AA-M41	9630950946
		Rotary Seal/Static Seal Ring, Silicon Carbide/Silicon Carbide, FPM USP Class VI	K63BA-M42	9630950920	K64BA-M42	9630921067
		Rotary Seal/Static Seal Ring, Silicon Carbide/Silicon Carbide, Silicone USP Class VI	K63CA-M45	9630950921	K64CA-M45	9630950947

Note 1: Q-Doc certification is standard with SX UltraPure Service Kits

11 Service Kits (R00 Double Mechanical Seals) SX UP1-2 Pump Models

The squad ring is replaced by a conventional 'o' ring if the pressure between the seal flush media and pump head discharge pressure is likely to exceed 5 bar.

Pos	Qty	Denomination	< 5 bar SX UP1		> 5 bar SX UP1	
			Reference Part No.	SX UP1 Item No.	Reference Part No.	SX UP1 Item No.
Each kit comprises of 1 off Cover/Rotor Seal Kit and 2 off complete Mechanical Seals for one pump.						
		Inboard Seal: Rotary Seal/Static Seal Ring, Silicon Carbide/Silicon Carbide, Outboard Seal: Rotary Seal/Static Seal Ring, Carbon/Silicone Carbide, EPDM	K61AA-P11	9630950876	K61AA-R11	9630950882
		Inboard Seal: Rotary Seal/Static Seal Ring, Silicon Carbide/Silicon Carbide, Outboard Seal: Rotary Seal/Static Seal Ring, Carbon/Silicone Carbide, FPM	K61BA-P12	9630950877	K61BA-R12	9630950883
		Inboard Seal: Rotary Seal/Static Seal Ring, Silicon Carbide/Silicon Carbide, Outboard Seal: Rotary Seal/Static Seal Ring, Carbon/Silicone Carbide, Silicone	K61CA-P15	9630950878	K61CA-R15	9630950884
Pos	Qty	Denomination	< 5 bar SX UP2		> 5 bar SX UP2	
			Reference Part No.	SX UP2 Item No.	Reference Part No.	SX UP2 Item No.
		Inboard Seal: Rotary Seal/Static Seal Ring, Silicon Carbide/Silicon Carbide, Outboard Seal: Rotary Seal/Static Seal Ring, Carbon/Silicone Carbide, EPDM	K62AA-P11	9630950898	K62AA-R11	9630950904
		Inboard Seal: Rotary Seal/Static Seal Ring, Silicon Carbide/Silicon Carbide, Outboard Seal: Rotary Seal/Static Seal Ring, Carbon/Silicone Carbide, FPM	K62BA-P12	9630950899	K62BA-R12	9630950905
		Inboard Seal: Rotary Seal/Static Seal Ring, Silicon Carbide/Silicon Carbide, Outboard Seal: Rotary Seal/Static Seal Ring, Carbon/Silicone Carbide, Silicone	K62CA-P15	9630950900	K62CA-R15	9630950906

12 Service Kits (R00 Double Mechanical Seals) SX UP3-4 Pump Models

Pos	Qty	Denomination	< 5 bar SX UP3		> 5 bar SX UP3	
			Reference Part No.	< 5 bar SX UP3 Item No.	Reference Part No.	> 5 bar SX UP3 Item No.
		Inboard Seal: Rotary Seal/Static Seal Ring, Silicon Carbide/Silicon Carbide, Outboard Seal: Rotary Seal/Static Seal Ring, Carbon/Silicone Carbide, EPDM	K63AA-P11	9630950925	K63AA-R11	9630950931
		Inboard Seal: Rotary Seal/Static Seal Ring, Silicon Carbide/Silicon Carbide, Outboard Seal: Rotary Seal/Static Seal Ring, Carbon/Silicone Carbide, FPM	K63BA-P12	9630950926	K63BA-R12	9630950932
		Inboard Seal: Rotary Seal/Static Seal Ring, Silicon Carbide/Silicon Carbide, Outboard Seal: Rotary Seal/Static Seal Ring, Carbon/Silicone Carbide, Silicone	K63CA-P15	9630950927	K63CA-R15	9630950933
Pos	Qty	Denomination	< 5 bar SX UP4		> 5 bar SX UP4	
			Reference Part No.	< 5 bar SX UP4 Item No.	Reference Part No.	> 5 bar SX UP4 Item No.
		Inboard Seal: Rotary Seal/Static Seal Ring, Silicon Carbide/Silicon Carbide, Outboard Seal: Rotary Seal/Static Seal Ring, Carbon/Silicone Carbide, EPDM	K64AA-P11	9630950951	K64AA-R11	9630950957
		Inboard Seal: Rotary Seal/Static Seal Ring, Silicon Carbide/Silicon Carbide, Outboard Seal: Rotary Seal/Static Seal Ring, Carbon/Silicone Carbide, FPM	K64BA-P12	9630950952	K64BA-R12	9630950958
		Inboard Seal: Rotary Seal/Static Seal Ring, Silicon Carbide/Silicon Carbide, Outboard Seal: Rotary Seal/Static Seal Ring, Carbon/Silicone Carbide, Silicone	K64CA-P15	9630950953	K64CA-R15	9630950959

Note: Q-Doc certification is standard with SX UltraPure Service Kits

13 Service Kits (R00 Double Mechanical Seals) SX UP5-6 Pump Models

Pos	Qty	Denomination	< 5 bar	< 5 bar	> 5 bar	> 5 bar
			SX UP5 Reference Part No.	SX UP5 Item No.	SX UP5 Reference Part No.	SX UP5 Item No.

Each kit comprises of 1 off Cover/Rotor Seal Kit and 2 off complete Mechanical Seals for one pump.

The squad ring is replaced by a conventional 'o' ring if the pressure between the seal flush media and pump head discharge pressure is likely to exceed 5 bar.

Inboard Seal, Rotary Seal/Static Seal Ring, Silicon Carbide/Silicon Carbide, Outboard Seal, Rotary Seal/Static Seal Ring, Carbon/Silicone Carbide, EPDM	K65AA-P11	9630950971	K65AA-R11	9630945596
Inboard Seal, Rotary Seal/Static Seal Ring, Silicon Carbide/Silicon Carbide, Outboard Seal, Rotary Seal/Static Seal Ring, Carbon/Silicone Carbide, FPM	K65BA-P12	9630950972	K65BA-R12	9630950977
Inboard Seal, Rotary Seal/Static Seal Ring, Silicon Carbide/Silicon Carbide, Outboard Seal, Rotary Seal/Static Seal Ring, Carbon/Silicone Carbide, Silicone	K65CA-P15	9630950973	K65CA-R15	9630950978

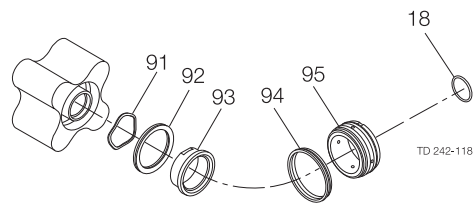
Pos	Qty	Denomination	< 5 bar	< 5 bar	> 5 bar	> 5 bar
			SX UP6 Reference Part No.	SX UP6 Item No.	SX UP6 Reference Part No.	SX UP6 Item No.

Inboard Seal, Rotary Seal/Static Seal Ring, Silicon Carbide/Silicon Carbide, Outboard Seal, Rotary Seal/Static Seal Ring, Carbon/Silicone Carbide, EPDM	K66AA-P11	9630950994	K66AA-R11	9630951000
Inboard Seal, Rotary Seal/Static Seal Ring, Silicon Carbide/Silicon Carbide, Outboard Seal, Rotary Seal/Static Seal Ring, Carbon/Silicone Carbide, FPM	K66BA-P12	9630950995	K66BA-R12	9630951001
Inboard Seal, Rotary Seal/Static Seal Ring, Silicon Carbide/Silicon Carbide, Outboard Seal, Rotary Seal/Static Seal Ring, Carbon/Silicone Carbide, Silicone	K66CA-P15	9630950996	K66CA-R15	9630951002

14 Service Kits (R00 Double Mechanical Seals) SX UP7 Pump Models

Pos	Qty	Denomination	< 5 bar		> 5 bar	
			SX UP7 Reference Part No.	< 5 bar SX UP7 Item No.	SX UP7 Reference Part No.	> 5 bar SX UP7 Item No.
		Inboard Seal, Rotary Seal/Static Seal Ring, Silicon Carbide/Silicon Carbide, Outboard Seal, Rotary Seal/Static Seal Ring, Carbon/Silicone Carbide, EPDM	K67AA-P11	9630951016	K67AA-R11	9630951022
		Inboard Seal, Rotary Seal/Static Seal Ring, Silicon Carbide/Silicon Carbide, Outboard Seal, Rotary Seal/Static Seal Ring, Carbon/Silicone Carbide, FPM	K67BA-P12	9630951017	K67BA-R12	9630951023
		Inboard Seal, Rotary Seal/Static Seal Ring, Silicon Carbide/Silicon Carbide, Outboard Seal, Rotary Seal/Static Seal Ring, Carbon/Silicone Carbide, Silicone	K67CA-P15	9630951018	K67CA-R15	9630951024

Note: Q-Doc certification is standard with SX UltraPure Service Kits



SX UltraPure R00 Single Mechanical Seals (Complete)

2 seals per pump. It is recommended to replace both sets of seals when wear dictates seal replacement

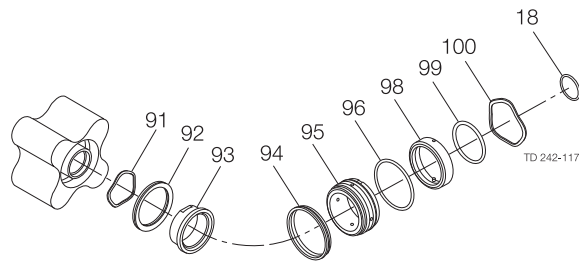
Pos	Qty	Denomination	SX UP1		SX UP2	
			Reference Part No.	SX UP1 Item No.	Reference Part No.	SX UP2 Item No.
		Rotary Seal/Static Seal Ring, Silicon Carbide/Silicon Carbide, EPDM USP Class VI	7700.201E	9630088483	7700.202E	9630088489
		Rotary Seal/Static Seal Ring, Silicon Carbide/Silicon Carbide, FPM USP Class VI	7700.201V	9630088485	7700.202V	9630088488
		Rotary Seal/Static Seal Ring, Silicon Carbide/Silicon Carbide, Silicone USP Class VI	7700.201S	9630857712	7700.202S	9630857714

Pos	Qty	Denomination	SX UP3		SX UP4	
			Reference Part No.	SX UP3 Item No.	Reference Part No.	SX UP4 Item No.
		Rotary Seal Stationary Seal Ring, Silicon Carbide/Silicon Carbide, EPDM USP Class VI	7700.203E	9630088209	7700.204E	9630088497
		Rotary Seal/Stationary Seal Ring, Silicon Carbide/Silicon Carbide, FPM USP Class VI	7700.203V	9630088125	7700.204V	9630076413
		Rotary Seal/Stationary Seal Ring, Silicon Carbide/Silicon Carbide, Silicone Class VI	7700.203S	9630858778	7700.204S	9630856568

Pos	Qty	Denomination	SX UP5		SX UP6	
			Reference Part No.	SX UP5 Item No.	Reference Part No.	SX UP6 Item No.
		Rotary Seal/Static Seal Ring, Silicon Carbide /Silicon Carbide, EPDM USP Class VI	7700.205E	9630087237	7700.206E	9630088506
		Rotary Seal/Static Seal Ring, Silicon Carbide/Silicon Carbide, FPM USP Class VI	7700.205V	9630088500	7700.206V	9630088505
		Rotary Seal/Static Seal Ring, Silicon Carbide/Silicon Carbide, Silicone Class VI	7700.205S	9630858784	7700.206S	9630858786

Pos	Qty	Denomination	SX UP7	
			Reference Part No.	SX UP7 Item No.
		Rotary Seal/Static Seal Ring, Silicon Carbide/Silicon Carbide, EPDM USP Class VI	7700.207E	9630088512
		Rotary Seal/Static Seal Ring, Silicon Carbide/Silicon Carbide, FPM USP Class VI	7700.207V	9630088511
		Rotary Seal/Static Seal Ring, Silicon Carbide/Silicon Carbide, Silicone Class VI	7700.207S	9630101627

Note: Q-Doc certification needs to be requested by order for mechanical seals

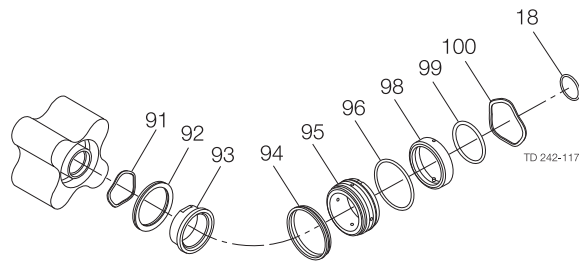


SX UltraPure R00 Single Flushed Mechanical Seals (Complete)

2 seals per pump. It is recommended to replace both sets of seals when wear dictates seal replacement

Pos	Qty	Denomination	SX UP1		SX UP2	
			Reference Part No.	SX UP1 Item No.	Reference Part No.	SX UP2 Item No.
		Rotary Seal/Stationary Seal Ring, Silicon Carbide/Silicon Carbide, EPDM USP Class VI	7700.211E	9630125198	7700.212E	9630111133
		Rotary Seal/Stationary Seal Ring, Silicon Carbide/Silicon Carbide, FPM USP Class VI	7700.211V	9630112575	7700.212V	9630102419
		Rotary Seal/Stationary Seal Ring, Silicon Carbide/Silicon Carbide, Silicone USP Class VI	7700.211S	9630941613	7700.212S	9630941614
Pos	Qty	Denomination	SX UP3		SX UP4	
			Reference Part No.	SX UP3 Item No.	Reference Part No.	SX UP4 Item No.
		Rotary Seal/Stationary Seal Ring, Silicon Carbide/Silicon Carbide, EPDM USP Class VI	7700.213E	9630088892	7700.214E	9630113647
		Rotary Seal/Stationary Seal Ring, Silicon Carbide/Silicon Carbide, FPM USP Class VI	7700.213V	9630127023	7700.214V	9630113652
		Rotary Seal/Stationary Seal Ring, Silicon Carbide/Silicon Carbide, Silicone USP Class VI	7700.213S	9630924902	7700.214S	9630941615

Note 1: Q-Doc certification needs to be requested by order for mechanical seals



R00 Double Mechanical Seals (Complete) - SX UltraPure 1-3 Pump Range

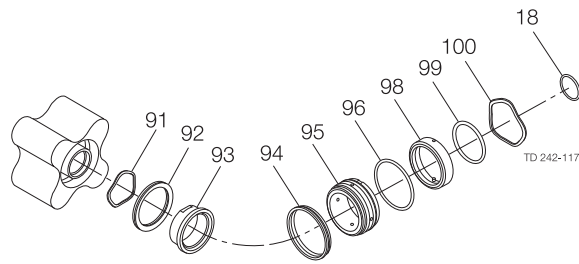
2 seals per pump. It is recommended to replace both sets of seals when wear dictates seal replacement.
 The squad ring is replaced by a conventional 'o' ring if the pressure between the seal flush media and pump head discharge pressure is likely to exceed 5 bar.

Pos	Qty	Denomination	< 5 bar		> 5 bar	
			SX UP1 Reference Part No.	< 5 bar SX UP1 Item No.	SX UP1 Reference Part No.	> 5 bar SX UP1 Item No.
		Rotary Seal/Static Seal Ring. Inboard Seal: Silicon Carbide/Silicon Carbide. Outboard Seal: Carbon/Stainless Steel, EPDM	7700.711E	9630092953	7700.711E/5	9630950730
		Rotary Seal/Static Seal Ring. Inboard Seal: Silicon Carbide/Silicon Carbide. Outboard Seal: Carbon/Stainless Steel, FPM	7700.711V	9630950726	7700.711V/5	9630939858
		Rotary Seal/Static Seal Ring. Inboard Seal: Silicon Carbide/Silicon Carbide. Outboard Seal: Carbon/Stainless Steel, Silicone	7700.711S	9630950727	7700.711S/5	9630950731

Pos	Qty	Denomination	< 5 bar		> 5 bar	
			SX UP2 Reference Part No.	< 5 bar SX UP2 Item No.	SX UP2 Reference Part No.	> 5 bar SX UP2 Item No.
		Rotary Seal/Static Seal Ring. Inboard Seal: Silicon Carbide/Silicon Carbide. Outboard Seal: Carbon/Stainless Steel, EPDM	7700.712E	9630864558	7700.712E/5	9630950736
		Rotary Seal/Static Seal Ring. Inboard Seal: Silicon Carbide/Silicon Carbide. Outboard Seal: Carbon/Stainless Steel, FPM	7700.712V	9630864012	7700.712V/5	9630929117
		Rotary Seal/Static Seal Ring. Inboard Seal: Silicon Carbide/Silicon Carbide. Outboard Seal: Carbon/Stainless Steel, Silicone	7700.712S	9630950733	7700.712S/5	9630950737

Pos	Qty	Denomination	< 5 bar		> 5 bar	
			SX UP3 Reference Part No.	< 5 bar SX UP3 Item No.	SX UP3 Reference Part No.	> 5 bar SX UP3 Item No.
		Rotary Seal/Static Seal Ring. Inboard Seal: Silicon Carbide/Silicon Carbide. Outboard Seal: Carbon/Stainless Steel, EPDM	7700.713E	9630112225	7700.713E/5	9630950741
		Rotary Seal/Static Seal Ring. Inboard Seal: Silicon Carbide/Silicon Carbide. Outboard Seal: Carbon/Stainless Steel, FPM	7700.713V	9630863999	7700.713V/5	9630938517
		Rotary Seal/Static Seal Ring. Inboard Seal: Silicon Carbide/Silicon Carbide. Outboard Seal: Carbon/Stainless Steel, Silicone	7700.713S	9630932856	7700.713S/5	9630950742

Note: Q-Doc certification needs to be requested by order for mechanical seals



R00 Double Mechanical Seals (Complete) - SX UltraPure 4-6 Pump Models

2 seals per pump. It is recommended to replace both sets of seals when wear dictates seal replacement.

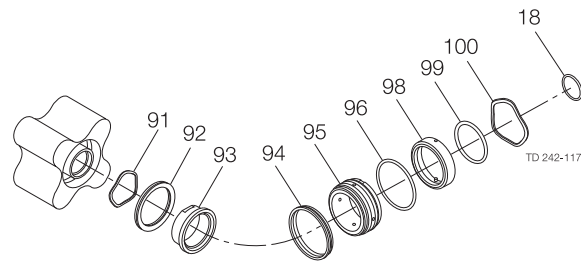
The squad ring is replaced by a conventional 'o' ring if the pressure between the seal flush media and pump head discharge pressure is likely to exceed 5 bar.

Pos	Qty	Denomination	< 5 bar	< 5 bar	> 5 bar	> 5 bar
			SX UP4	SX UP4	SX UP4	SX UP4
			Reference Part No.	Item No.	Reference Part No.	Item No.
		Rotary Seal/Static Seal Ring. Inboard Seal: Carbon/Silicon Carbide. Outboard Seal: Carbon/Silicon Carbide, EPDM	7700.714E	9630087511	7700.714E/5	9630092624
		Rotary Seal/Static Seal Ring. Inboard Seal: Carbon/Silicon Carbide. Outboard Seal: Carbon/Silicon Carbide, FPM	7700.714V	9630919138	7700.714V/5	9630855585
		Rotary Seal/Static Seal Ring. Inboard Seal: Carbon/Silicon Carbide. Outboard Seal: Carbon/Silicon Carbide, Silicone	7700.714S	9630932857	7700.714S/5	9630950744

Pos	Qty	Denomination	< 5 bar	< 5 bar	> 5 bar	> 5 bar
			SX UP5	SX UP5	SX UP5	SX UP5
			Reference Part No.	Item No.	Reference Part No.	Item No.
		Rotary Seal/Static Seal Ring. Inboard Seal: Carbon/Silicon Carbide. Outboard Seal: Carbon/Silicon Carbide, EPDM	7700.715E	9630921032	7700.715E/5	9630921033
		Rotary Seal/Static Seal Ring. Inboard Seal: Carbon/Silicon Carbide. Outboard Seal: Carbon/Silicon Carbide, FPM	7700.715V	9630950749	7700.715V/5	9630942465
		Rotary Seal/Static Seal Ring. Inboard Seal: Carbon/Silicon Carbide. Outboard Seal: Carbon/Silicon Carbide, MVQ	7700.715S	9630950750	7700.715S/5	9630950751

Pos	Qty	Denomination	< 5 bar	< 5 bar	> 5 bar	> 5 bar
			SX UP6	SX UP6	SX UP6	SX UP6
			Reference Part No.	Item No.	Reference Part No.	Item No.
		Rotary Seal/Static Seal Ring. Inboard Seal: Carbon/Silicon Carbide. Outboard Seal: Carbon/Silicon Carbide, EPDM	7700.716E	9630095935	7700.716E/5	9630938776
		Rotary Seal/Static Seal Ring. Inboard Seal: Carbon/Silicon Carbide. Outboard Seal: Carbon/Silicon Carbide, FPM	7700.716V	9630861723	7700.716V/5	9630950752
		Rotary Seal/Static Seal Ring. Inboard Seal: Carbon/Silicon Carbide. Outboard Seal: Carbon/Silicon Carbide, MVQ	7700.716S	9630950757	7700.716S/5	9630950758

Note: Q-Doc certification needs to be requested by order for mechanical seals



R00 Double Mechanical Seals (Complete) - SX UltraPure 7 Pump Models

2 seals per pump. It is recommended to replace both sets of seals when wear dictates seal replacement.

The squad ring is replaced by a conventional 'o' ring if the pressure between the seal flush media and pump head discharge pressure is likely to exceed 5 bar.

Pos	Qty	Denomination	< 5 bar	< 5 bar	> 5 bar	> 5 bar
			SX UP7 Reference Part No.	SX UP7 Item No.	SX UP7 Reference Part No.	SX UP7 Item No.
		Rotary Seal/Static Seal Ring. Inboard Seal: Carbon/Silicon Carbide. Outboard Seal: Carbon/Silicon Carbide, EPDM	7700.717E	9630090029	7700.717E/5	9630950761
		Rotary Seal/Static Seal Ring. Inboard Seal: Carbon/Silicon Carbide. Outboard Seal: Carbon/Silicon Carbide, FPM	7700.717V	9630934151	7700.717V/5	9630936885
		Rotary Seal/Static Seal Ring. Inboard Seal: Carbon/Silicon Carbide. Outboard Seal: Carbon/Silicon Carbide, MVQ	7700.717S	9630950764	7700.717S/5	9630950765

Note: Q-Doc certification needs to be requested by order for mechanical seals

20 R00 Mechanical Seals (Parts) - SX UP1 and SX UP2 Pump Models

Pos	Qty	Denomination	SX UP1		SX UP2	
			Reference Part No.	SX UP1 Item No.	Reference Part No.	SX UP2 Item No.
Parts for single R00 seals						
18	2	O-Ring, rotor sealing shaft end, EPDM USP Class VI	5380,821	9630127026	1556,018	9630854853
	2	O-Ring, rotor sealing shaft end, FPM USP Class VI	5380,389	9630022907	5380,711	9630865835
	2	O-Ring, rotor sealing shaft end, Silicone USP Class VI	5380,680	9630070311	5380,775	9630126677
92	2	Squad Ring, EPDM USP Class VI	5383,105	9630069434	5383,205	9630069435
	2	Squad Ring, FPM USP Class VI	5383,101	9630069440	5383,201	9630069654
	2	Squad Ring, Silicone USP Class VI	5383,104	9630069437	5383,204	9630069438
93	2	Rotary Seal Ring, Silicon Carbide	R5610.121	9630069795	R5610.122	9630069796
94	2	Cup Seal, EPDM USP Class VI	5382,105	9630069424	5382,205	9630069425
	2	Cup Seal, FPM USP Class VI	5382,101	9630069429	5382,201	9630069430
	2	Cup Seal, Silicone USP Class VI	5382,104	9630069427	5382,204	9630069428
95	2	Static Seal Ring, Silicon Carbide	R5630.121	9630069809	R5630.122	9630069810

Additional parts to convert above R00 single seals to single flushed seals

95*	2	Static Seal Ring, Silicon Carbide	R5630.111	9630069802	R5630.112	9630069803
note1						
96	2	Static Seal Ring O-Ring, EPDM USP Class VI	5380,819	9630127024	1556,131	9630854460
	2	Static Seal Ring O-Ring, FPM USP Class VI	5380,904	9630941125	1551,131	9630023418
	2	Static Seal Ring O-Ring, Silicone USP Class VI	1554,123	9630043327	1554,131	9630074739
97	2	Lip Seal, FPM	5320,021	9630075620	5320,022	9630075621

Note 1: 95* replaces 95 above.

Note 2: To convert to single flush seal also requires drg item no. 59 (elbow).

Additional parts to convert above R00 single seals to double flushed seals

92*note	2	Rotary Seal Ring O-Ring, EPDM USP Class VI	5380,695	9630071261	1555,324	9630074754
2						
	2	Rotary Seal Ring O-Ring, FPM USP Class VI	5380,692	9630071246	1551,324	9630074750
	2	Rotary Seal Ring O-Ring, Silicone USP Class VI	5380,694	9630071260	1554,324	9630074752
95*note	2	Static Seal Ring, Sil.Car (inboard) /Sil.Car (outboard)	R5630.131	9630069816	R5630.132	9630069819
1						
96	2	Static Seal Ring O-Ring, EPDM USP Class VI	5380,819	9630127024	1556,131	9630854460
	2	Static Seal Ring O-Ring, FPM USP Class VI	5380,904	9630941125	1551,131	9630023418
	2	Static Seal Ring O-Ring, Silicone USP Class VI	1554,123	9630043327	1554,131	9630074739
98	2	Rotary Seal Ring (outboard), Carbon	R5610.131	9630069832	R5610.132	9630069833
99	2	Rotary Seal Ring O-Ring, EPDM USP Class VI	5380,820	9630127025	5380,686	9630071238
	2	Rotary Seal Ring O-Ring, FPM	5380,753	9630111351	5380,684	9630071237
	2	Rotary Seal Ring O-Ring, MVQ	5380,679	9630074749	5380,696	9630071259

Note 1: 95* replaces 95 above.

Note 2: The squad ring is replaced by a conventional O-ring if the pressure difference between the seal flush media and pump head discharge pressure is likely to exceed 5 bar (ie 92* replaces 92 above).

Note 3: To convert to double seal also requires drg item no. 59 (elbow).

Wave springs supplied with drg no. 93 and 98 rotary seal rings:

91	2	Wave Spring	R6300.051	9630075413	R6300.052	9630075425
100	2	Wave Spring	R6300.061	9630075414	R6300.062	9630075426

Note: Q-Doc certification needs to be requested by order for mechanical seal parts

21 R00 Mechanical Seals (Parts) - SX UP3 and SX UP4 Pump Models

Pos	Qty	Denomination	SX UP3		SX UP4	
			Reference Part No.	SX UP3 Item No	Reference Part No.	SX UP4 Item No
Parts for single R00 seals						
18	2	O-Ring, rotor sealing shaft end, EPDM USP Class VI	1556,020	9630854463	1556,027	9630854854
	2	O-Ring, rotor sealing shaft end, FPM USP Class VI	5380,842	9630865836	1551,027	9630070327
	2	O-Ring, rotor sealing shaft end, Silicone USP Class VI	5380,758	9630124023	5380,751	9630105358
92	2	Squad Ring, EPDM USP Class VI	5383,305	9630069433	5383,405	9630069436
	2	Squad Ring, FPM USP Class VI	5383,301	9630069442	5383,401	9630069444
	2	Squad Ring, Silicone USP Class VI	5383,304	9630069439	5383,404	9630069443
93	2	Rotary Seal Ring, Silicon Carbide	R5610.123	9630069797	R5610.124	9630069798
94	2	Cup Seal, EPDM USP Class VI	5382,305	9630069421	5382,405	9630069426
	2	Cup Seal, FPM USP Class VI	5382,301	9630069423	5382,401	9630069432
	2	Cup Seal, Silicone USP Class VI	5382,304	9630069422	5382,404	9630069431
95	2	Static Seal Ring, Silicon Carbide	R5630.123	9630069811	R5630.124	9630069812

Additional parts to convert above R00 single seals to single flushed seals

95*note	2	Static Seal Ring, Silicon Carbide	R5630.113	9630069804	R5630.114	9630069805
96	2	Static Seal Ring O-Ring, EPDM USP Class VI	1555,134	9630854855	1555,144	9630862195
	2	Static Seal Ring O-Ring, FPM USP Class VI	5380,843	9630865837	1551,144	9630038945
	2	Static Seal Ring O-Ring, Silicone USP Class VI	5380,823	9630858819	1554,144	9630071262
97	2	Lip Seal, FPD	5320,023	9630075622	5320,024	9630075623

Note 1: 95* replaces 95 above.

Note 2: To convert to single flush seal also requires drg item no.59 (elbow).

Additional parts to convert above R00 single seals to double flushed seals

92*note	2	Rotary Seal Ring O-Ring, EPDM USP Class VI	1555,325	9630854467	1555,330	9630929689
2	2	Rotary Seal Ring O-Ring, FPM USP Class VI	5380,900	9630941109	5380,857	9630932210
	2	Rotary Seal Ring O-Ring, Silicone USP Class VI	1554,325	9630074753	1554,330	9630074760
95*note	2	Static Seal Ring, Sil.Car (inboard) / Sil.Car (outboard)	R5630.133	9630069821	R5630.134	9630069823
96	2	Static Seal Ring O-Ring, EPDM USP Class VI	1556,134	9630854855	1555,144	9630038946
	2	Static Seal Ring O-Ring, FPM USP Class VI	5380,843	9630865837	1551,144	9630038945
	2	Static Seal Ring O-Ring, Silicone USP Class VI	5380,823	9630858819	1554,144	9630071262
98	2	Rotary Seal Ring (outboard), Carbon	R5610.133	9630069834	R5610.134	9630069835
99	2	Rotary Seal Ring O-Ring, EPDM USP Class VI	5380,691	9630071245	1555,830	9630071265
	2	Rotary Seal Ring O-Ring, FPM USP Class VI	5380,069	9630024187	1551,830	9630071264
	2	Rotary Seal Ring O-Ring, Silicone USP Class VI	5380,687	9630071239	1554,830	9630071263

Note 1: 95* replaces 95 above.

Note 2: The squad ring is replaced by a conventional O-ring if the pressure difference between the seal flush media and pump head discharge pressure is likely to exceed 5 bar (ie 92* replaces 92 above).

Note 3: To convert to double seal also requires drg item no. 59 (elbow).

Wave springs supplied with drg no. 93 and 98 rotary seal rings:

91	2	Wave Spring	R6300.053	9630075429	R6300.054	9630075433
100	2	Wave Spring	R6300.063	9630075430	R6300.064	9630075434

Note: Q-Doc certification needs to be requested by order for mechanical seal parts

22 R00 Mechanical Seals (Parts) - SX UP5 and SX UP6 Pump Models

Pos	Qty	Denomination	SX UP5		SX UP6	
			Reference Part No.	SX UP5 Item No	Reference Part No.	SX UP6 Item No
Parts for single R00 seals						
18	2	O-Ring, rotor sealing shaft end, EPDM USP Class VI	1556,134	9630854855	1556,141	9630854891
	2	O-Ring, rotor sealing shaft end, FPM USP Class VI	5380,843	9630865837	5380,754	9630111352
	2	O-Ring, rotor sealing shaft end, Silicone USP Class VI	5380,823	9630858819	5380,752	9630105357
92	2	Squad Ring, EPDM USP Class VI	5383,505	9630069867	5383,605	9630069870
	2	Squad Ring, FPM USP Class VI	5383,501	9630069868	5383,601	9630069872
	2	Squad Ring, Silicone USP Class VI	5383,504	9630069869	5383,604	9630069873
93	2	Rotary Seal Ring, Silicon Carbide	R5610.125	9630069799	R5610.126	9630069800
94	2	Cup Seal, EPDM USP Class VI	5382,505	9630069858	5382,605	9630069859
	2	Cup Seal, FPM USP Class VI	5382,501	9630069861	5382,601	9630069863
	2	Cup Seal, Silicone USP Class VI	5382,504	9630069862	5382,604	9630069864
95	2	Static Seal Ring, Silicon Carbide	R5630.125	9630069813	R5630.126	9630069814
Additional parts to convert above R00 single seals to double flushed seals						
92*note 2	2	Rotary Seal Ring O-Ring, EPDM USP Class VI	1556,335	9630854475	1556,339	9630854489
	2	Rotary Seal Ring O-Ring, FPM USP Class VI	5380,651	9630063121	5380,901	9630941121
	2	Rotary Seal Ring O-Ring, Silicone USP Class VI	1554,335	9630074762	1554,339	9630074764
95*note 1	2	Static Seal Ring, Sil.Car (inboard) /Sil.Car (outboard)	R5630.135	9630069826	R5630.136	9630069828
96	2	Static Seal Ring O-Ring, EPDM USP Class VI	1556,234	9630941114	5380,757	9630111355
	2	Static Seal Ring O-Ring, FPM USP Class VI	5380,654	9630063125	5380,756	9630111354
	2	Static Seal Ring O-Ring, Silicone Class VI	1554,234	9630042618	1554,238	9630074740
98	2	Rotary Seal Ring (outboard), Carbon	R5610.135	9630069836	R5610.136	9630069837
99	2	Rotary Seal Ring O-Ring, EPDM USP Class VI	1556,231	9630941680	1556,234	9630941114
	2	Rotary Seal Ring O-Ring, FPM USP Class VI	1551,231	9630023448	5380,654	9630063125
	2	Rotary Seal Ring O-Ring, Silicone USP Class VI	1554,231	9630074742	1554,234	9630042618
Note 1: 95* replaces 95 above.						
Note 2: The squad ring is replaced by a conventional O-ring if the pressure difference between the seal flush media and pump head discharge pressure is likely to exceed 8 bar (ie 92* replaces 92 above).						
Note 3: To convert to double seal also requires drg item no.18 (O-ring) and 59 (elbow).						
Wave springs supplied with drg no. 93 and 98 rotary seal rings:						
91	2	Wave Spring	R6300.055	9630075437	R6300.056	9630075441
100	2	Wave Spring	R6300.065	9630075438	R6300.066	9630075442

Note: Q-Doc certification needs to be requested by order for mechanical seal parts

23 R00 Mechanical Seals (Parts) - SX UP7 Pump Models

Pos	Qty	Denomination	SX UP7	
			Reference Part No.	SX UP7 Item No
Parts for single R00 seals				
18	2	O-Ring, rotor sealing shaft end, EPDM USP Class VI	1556,230	9630854473
	2	O-Ring, rotor sealing shaft end, FPM USP Class VI	5380,902	9630941123
	2	O-Ring, rotor sealing shaft end, Silicone USP Class VI	5380,759	9630124024
92	2	Squad Ring, EPDM USP Class VI	5383,705	9630069871
	2	Squad Ring, FPM USP Class VI	5383,701	9630069875
	2	Squad Ring, Silicone USP Class VI	5383,704	9630069874
93	2	Rotary Seal Ring, Silicon Carbide	R5610.127	9630069801
94	2	Cup Seal, EPDM USP Class VI	5382,705	9630069860
	2	Cup Seal, FPM USP Class VI	5382,701	9630069865
	2	Cup Seal, Silicone USP Class VI	5382,704	9630069866
95	2	Static Seal Ring, Silicon Carbide	R5630.127	9630069815
Additional parts to convert above R00 single seals to double flushed seals				
92*note 2	2	Rotary Seal Ring, O-Ring, EPDM USP Class VI	1556,344	9630929690
	2	Rotary Seal Ring, O-Ring, FPM USP Class VI	1551,344	9630074759
	2	Rotary Seal Ring, O-Ring, Silicone USP Class VI	1554,344	9630074765
95*note 1	2	Static Seal Ring, Sil.Car (inboard) /Sil.Car (outboard)	R5630.137	9630069830
96	2	Static Seal Ring, O-Ring, EPDM USP Class VI	1556,244	9630857065
	2	Static Seal Ring, O-Ring, FPM USP Class VI	1551,244	9630037183
	2	Static Seal Ring, O-Ring, Silicone USP Class VI	1554,244	9630043332
98	2	Rotary Seal Ring (outboard), Carbon	R5610.137	9630069538
99	2	Rotary Seal Ring O-Ring, EPDM USP Class VI	1556,239	9630854451
	2	Rotary Seal Ring O-Ring, FPM USP Class VI	5380,903	9630941124
	2	Rotary Seal Ring O-Ring, Silicone USP Class VI	1554,239	9630074743
Note 1: 95* replaces 95 above.				
Note 2: The squad ring is replaced by a conventional O-ring if the pressure difference between the seal flush media and pump head discharge pressure is likely to exceed 8 bar (ie 92* replaces 92 above).				
Note 3: To convert to double seal also requires drg item no.18 and 59.				
Wave springs supplied with drg no. 93 and 98 rotary seal rings:				
91	2	Wave Spring	R6300.057	9630075444
100	2	Wave Spring	R6300.067	9630075445

Note: Q-Doc certification needs to be requested by order for mechanical seal parts

24 SX UltraPure ATEX Parts

Pos	Qty	Denomination	Reference Part	
			No.	Item No.
8	1	Shim - stainless steel, SX UP1	6150.151	9630034304
	set			
	1	Shim - stainless steel, SX UP2	6150.153	9630034201
	set			
	1	Shim - stainless steel, SX UP3	6150.155	9630034030
	set			
	1	Shim - stainless steel, SX UP4	6150.157	9630033704
	set			
	1	Shim - stainless steel, SX UP5	6150.159	9630033411
	set			
	1	Shim - stainless steel, SX UP6	6150.161	9630033392
	set			
	1	Shim - stainless steel, SX UP7	tba	tba
	set			
46	1	Sight glass	5480.010	9630855435
47	1	Filler plug	5192.286	9630105171
50	2	Gland guard, SX UP1	5243.141	9630111575
	2	Gland guard, SX UP2	5243.142	9630111576
	2	Gland guard, SX UP3	5243.143	9630111577
	2	Gland guard, SX UP4	5243.144	9630111562
	2	Gland guard, SX UP5	5243.145	9630111644
	2	Gland guard, SX UP6	5243.146	9630111645
	2	Gland guard, SX UP7	5243.147	9630111646
95	1	Stationary seal ring with thermocouple SX UP1	tba	tba
	1	Stationary seal ring with thermocouple SX UP2	tba	tba
	1	Stationary seal ring with thermocouple SX UP3	tba	tba
	1	Stationary seal ring with thermocouple SX UP4	tba	tba
	1	Stationary seal ring with thermocouple SX UP5	tba	tba
	1	Stationary seal ring with thermocouple SX UP6	tba	tba
	1	Stationary seal ring with thermocouple SX UP7	tba	tba
101	1	hermocouple clamp plate SX UP1	tba	tba
	1	hermocouple clamp plate SX UP2	tba	tba
	1	hermocouple clamp plate SX UP3	5087.087	9630921042
	1	hermocouple clamp plate SX UP4	tba	tba
	1	hermocouple clamp plate SX UP5	tba	tba
	1	hermocouple clamp plate SX UP6	tba	tba
	1	hermocouple clamp plate SX UP7	tba	tba
102	2	Screw, thermocouple clamp plate SX UP1	tba	tba
	2	Screw, thermocouple clamp plate SX UP2-3	5990.051	9630021076
	2	Screw, thermocouple clamp plate SX UP4-7	tba	tba
103	1	Plastic bush SX UP1-7	5060.021	9630855571
104	1	Screw, bush locking SX UP1-7	5950.091	9630863216
	1	Stud, earthing, SX UP1	6350.148	9630105360
	1	Stud, earthing, SX UP2-4	6350.149	9630105362
	1	Stud, earthing, SX UP5-7	6350.148	9630105360
	2	Nut, earthing stud	5330.003	9630024057
	2	Washer, lock	6410.009	9630105264
	1	Earth bonding cable	4450,222	9630105267
	2	Terminal copper tube	4450,223	9630105435
	1	Earth bonding tag	5410,088	9630105614

25 Revision History - SX UltraPure Pump Range

Issue	Ref	Date	Description
1.00	-	01-02-2018	New Issue

How to contact Alfa Laval

Contact details for all countries are continually updated on our website.

Please visit www.alfalaval.com to access the information directly.

© Alfa Laval Corporate AB

This document and its contents is owned by Alfa Laval Corporate AB and protected by laws governing intellectual property and thereto related rights. It is the responsibility of the user of this document to comply with all applicable intellectual property laws. Without limiting any rights related to this document, no part of this document may be copied, reproduced or transmitted in any form or by any means (electronic, mechanical, photocopying, recording, or otherwise), or for any purpose, without the expressed permission of Alfa Laval Corporate AB. Alfa Laval Corporate AB will enforce its rights related to this document to the fullest extent of the law, including the seeking of criminal prosecution.