

1.9 Regulating valves

Regulating valves from Alfa Laval are the ideal choice whether you are looking for the perfect flow control or constant pressure.



Spare parts

Unique RV-ST Regulating Valve, shut-off	1.9.714
Unique RV-ST Regulating Valve, shut-off (US version)	1.9.722
Unique RV-ST maintainable actuator	1.9.726
Unique RV-ST Needle Valve and std. 1" Size (US version)	1.9.728
Unique RV-P	1.9.730
Unique RV-P aseptic	1.9.734
CPMI-2 and CPMO-2 constant-pressure modulating valve	1.9.738
CPMI-2 and CPMO-2 constant pressure valve, polished (US version)	1.9.740
CPM-Booster 3 for cover with thread 31356-0067-1/2	1.9.742
CPM-I-D60 Constant Pressure Valve	1.9.744
CPM-I-D60 Constant Pressure Valve, polished (US version)	1.9.746
771S change-over 21, 41	1.9.748
771S reverse acting 27-47	1.9.750
771S throttling valve, shut-off	1.9.752
871W aseptic valves, shut-off	1.9.754
SB CO2 house	1.9.756
SB Tank Pressure Regulator, 25-38 mm	1.9.758
SB Tank Pressure Regulator, 51-76.1 mm	1.9.760

Actuators for 700 series (US version)

771 Type 15/25 series actuators	1.9.762
Diaphragm actuator with Moore positioner 771S series 1½" to 3" valves	1.9.764
Diaphragm actuator with Moore positioner 771S series 1" valve	1.9.766
Positioner Assemblies for 14P Actuators	1.9.768
Positioner Assemblies for 24P Actuators	1.9.770

This page is intentionally left blank

1.9 Regulating valves

Regulating valves from Alfa Laval are the ideal choice whether you are looking for the perfect flow control or constant pressure.

Spare parts for obsolete products

Unique 7710, Regulating Valve	1.9.772
Unique 7710, maintainable actuator	1.9.776
171-10M-90 Micrometer valve	1.9.778
CPM 8, 16, 33	1.9.780
CPM D-60	1.9.782
CPM-I and CPM-O, 7, 14, 25 Constant-Pressure Modulating Valve	1.9.784
CPM-Booster 1 for cover without tread	1.9.786
CPM-Booster 2 for cover with thread	1.9.788
Unique SPC-1 Regulating Valve	1.9.790
Unique SPC-1, maintainable actuator	1.9.796
SPC-1 Sanitary Proportional-Controlled Valve with positioner	1.9.798
SPC-2 Sanitary Electro-Pneumatic Modulating Valve (Samson actuator, beige colour)	1.9.802
SPC-2 Sanitary Electro-Pneumatic Modulating Valve with ARC plug	1.9.806
SPC-2 (Kämmer actuator, yellow colour)	1.9.810
SPC-P and SPC-L	1.9.812
SMO-R Regulating Valve	1.9.816
Fine-adjustment Regulating Valve, type FA	1.9.820
Regulating Valve, type B	1.9.822
ARC-P Aseptic Regulating Valve	1.9.824
ARC-P Aseptic Regulating Valve, actuator	1.9.826
171 & 171OY throttling valves	1.9.828
171 & 171OY divert valves	1.9.830
Type 15 actuator for 171 series	1.9.832
371-21 throttling valves, change-over	1.9.834
371-10, 30 & 27 throttling valves	1.9.836
Type 15 actuator for 371 valves	1.9.838
Type 14 N/O actuator "piston style actuators with positioner	1.9.840
Type 24 N/C piston style actuators with positioner	1.9.842
Diaphragm actuator w/Moore positioner	1.9.844

If the actuator is marked with a danger warning do NOT attempt to cut the actuator open.

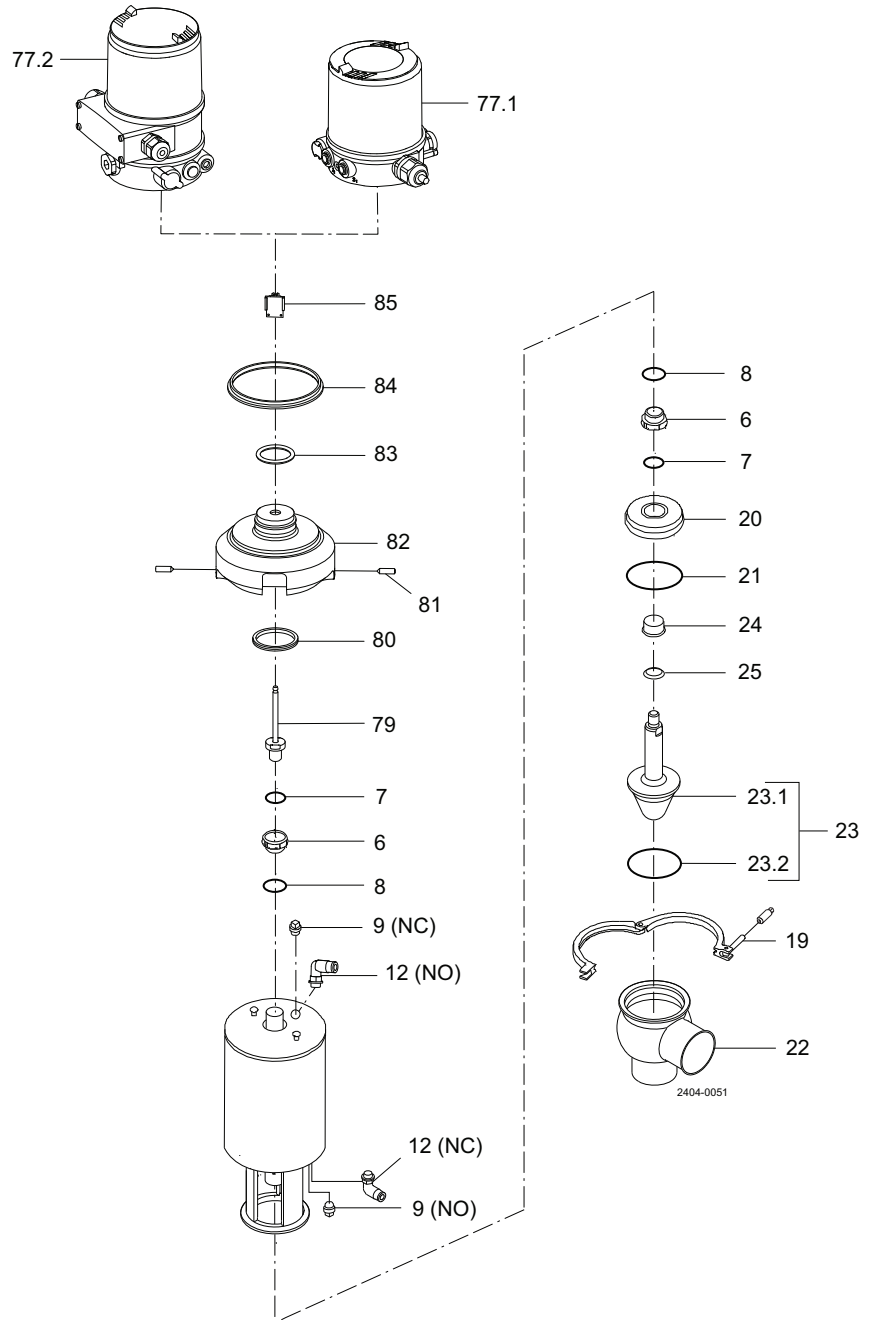


Do NOT attempt to disassemble the actuator due to spring under load danger!



Do NOT attempt to cut the actuator open, due to spring under load danger!

1.9



Pos	Qty	Denomination	DN40 38 mm	DN50 51 mm	DN65 63.5 mm	DN80 76.1 mm	DN100 101.6 mm
		Actuator, complete (NO)	9613154801	9613154802	9613154803	9613154804	9613154805
		Actuator, complete (NC)	9613154806	9613154807	9613154808	9613154809	9613154810
5	1	Adapter	9614065301	9614065301	9614065301	9614065301	9614065301
6	2	Bushing					
7	2	O-ring					
8	2	O-ring					
9	1	Plug	9613414101	9613414101	9613414101	9613414101	9613414101
12	1	Air fitting	9611991988	9611991988	9611991988	9611991988	9611991988
76	1	Positioner, Positioner 8694 (incl. Pos. 77 to 85) . .	9611995266	9611995266	9611995266	9611995266	9611995266
	1	Positioner, Positioner 8692 (incl. Pos. 77 to 85) . .	9611995268	9611995268	9611995268	9611995268	9611995268
77.1	1	Positioner 8694 without display					
77.2	1	Positioner 8692 with display					
79	1	Spindle					
80	1	Special X-ring	9612569601	9612569601	9612569601	9612569601	9612569601
81	2	Allen screw	9611993409	9611993409	9611993409	9611993409	9611993409
82	1	Adapter					
83	1	O-ring	9611995273	9611995273	9611995273	9611995273	9611995273
85	1	Puck sensor pad, cpl.	9611995275	9611995275	9611995275	9611995275	9611995275
Clamp							
19	1	Clamp	9612939303	9612939304	9612939305	9612939306	9612939307
Bonnet							
20	1	Bonnet	9613127102	9613127103	9613127104	9613127105	9613127106
21	1	O-ring, EPDM (standard)					
	1	O-ring, HNBR					
	1	O-ring, FPM					
		O-ring, set (10 pcs.), EPDM	9614059422	9614059425	9614059428	9614059431	9614059434
		O-ring, set (10 pcs.), HNBR	9614059423	9614059426	9614059429	9614059432	9614059435
		O-ring, set (10 pcs.), FPM	9614059424	9614059427	9614059430	9614059433	9614059436
24	1	Bushing	9613125002	9613125002	9613125002	9613125002	9613125002
25	1	Lip seal, EPDM (standard)					
	1	Lip seal, HNBR					
	1	Lip seal, FPM					
		Lip seal, set (10 pcs.), EPDM	9614059419	9614059419	9614059419	9614059419	9614059419
		Lip seal, set (10 pcs.), HNBR	9614059420	9614059420	9614059420	9614059420	9614059420
		Lip seal, set (10 pcs.), FPM	9614059421	9614059421	9614059421	9614059421	9614059421
Valve Body							
22	1	Valve body, lower, 2 ports ISO	9613139503	9613139505	9613139507	9613139509	9613139511
	1	Valve body, lower, 3 ports ISO	9613139504	9613139506	9613139508	9613139510	9613139512
	1	Valve body, lower, 2 ports DIN	9613139603	9613139605	9613139607	9613139609	9613139611
	1	Valve body, lower, 3 ports DIN	9613139604	9613139606	9613139608	9613139610	9613139612

If the actuator is marked with a danger warning do NOT attempt to cut the actuator open.

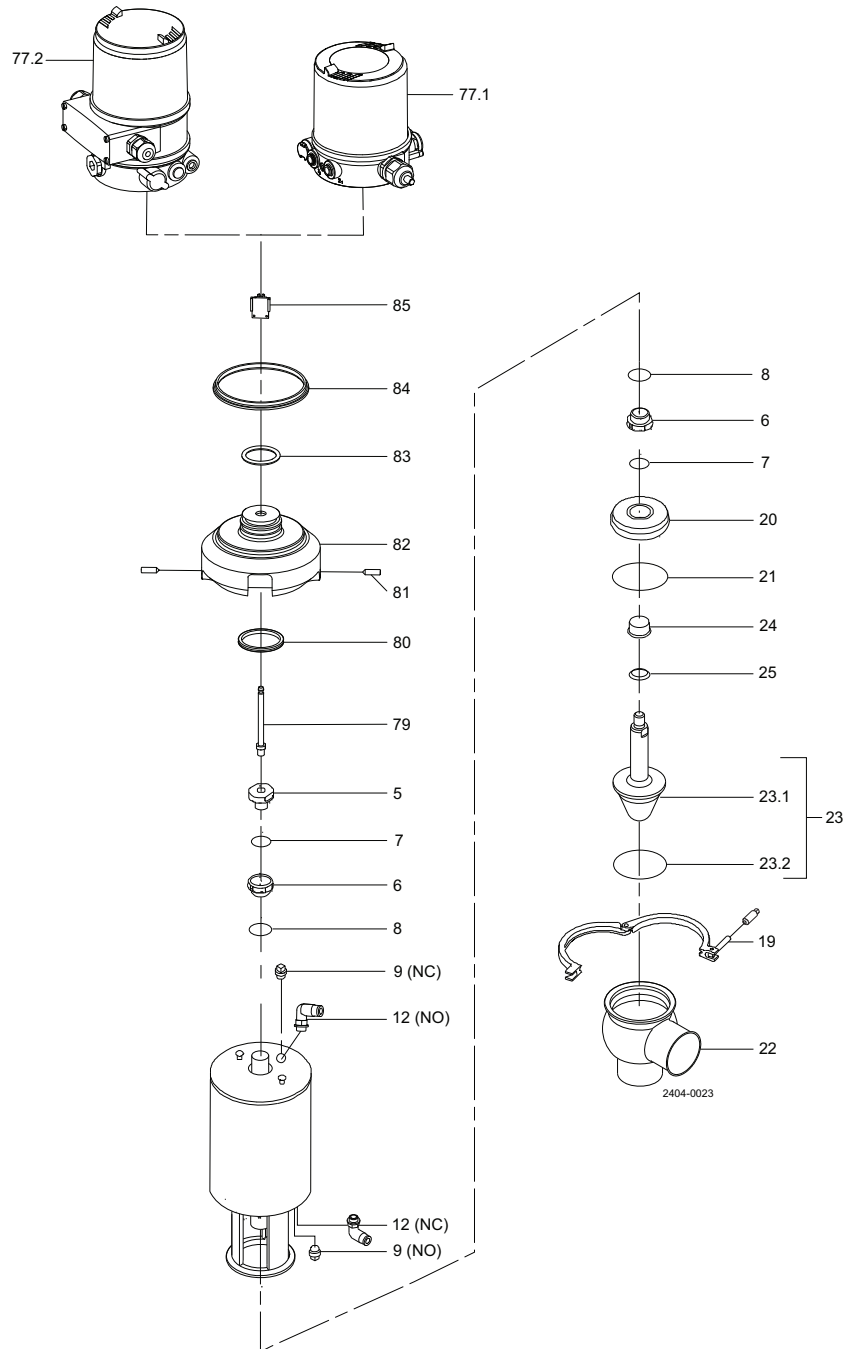


Do NOT attempt to disassemble the actuator due to spring under load danger!



Do NOT attempt to cut the actuator open, due to spring under load danger!

1.9



Pos	Qty	Denomination	DN40	DN50	DN65	DN80	DN100
			38 mm	51 mm	63.5 mm	76.1 mm	101.6 mm
23	1	Plug, complete, ISO, EPDM (standard) Kv 14	9613158901				
	1	Plug, complete, ISO, EPDM (standard) Kv 44	9613158902				
	1	Plug, complete, ISO, EPDM (standard) Kv 16	9613168501				
	1	Plug, complete, ISO, EPDM (standard) Kv 25	9613168502				
	1	Plug, complete, ISO, EPDM (standard) Kv 75		9613158903			
	1	Plug, complete, ISO, EPDM (standard) Kv 9		9613168503			
	1	Plug, complete, ISO, EPDM (standard) Kv 34		9613168504			
	1	Plug, complete, ISO, EPDM (standard) Kv 52		9613168505			
	1	Plug, complete, ISO, EPDM (standard) Kv 106			9613158904		
	1	Plug, complete, ISO, EPDM (standard) Kv 27			9613168507		
	1	Plug, complete, ISO, EPDM (standard) Kv 171				9613158905	
	1	Plug, complete, ISO, EPDM (standard) Kv 100				9613168508	
	1	Plug, complete, ISO, EPDM (standard) Kv 59				9613168601	
	1	Plug, complete, ISO, EPDM (standard) Kv 250					9613158906
	1	Plug, complete, ISO, EPDM (standard) Kv 125					9613168602
	1	Plug, complete, ISO, EPDM (standard) Kv 164					9613168603
	1	Plug, complete, DIN, EPDM (standard) Kv 14	9613158907				
	1	Plug, complete, DIN, EPDM (standard) Kv 44	9613158908				
	1	Plug, complete, DIN, EPDM (standard) Kv 16	9613168509				
	1	Plug, complete, DIN, EPDM (standard) Kv 25	9613168510				
	1	Plug, complete, DIN, EPDM (standard) Kv 75		9613158909			
	1	Plug, complete, DIN, EPDM (standard) Kv 9		9613168511			
	1	Plug, complete, DIN, EPDM (standard) Kv 34		9613168512			
	1	Plug, complete, DIN, EPDM (standard) Kv 52		9613168513			
	1	Plug, complete, DIN, EPDM (standard) Kv 106			9613158910		
	1	Plug, complete, DIN, EPDM (standard) Kv 27			9613168515		
	1	Plug, complete, DIN, EPDM (standard) Kv 171				9613158911	
	1	Plug, complete, DIN, EPDM (standard) Kv 100				9613168516	
	1	Plug, complete, DIN, EPDM (standard) Kv 59				9613168604	
	1	Plug, complete, DIN, EPDM (standard) Kv 250					9613158912
	1	Plug, complete, DIN, EPDM (standard) Kv 125					9613168605
	1	Plug, complete, DIN, EPDM (standard) Kv 164					9613168606
	1	Plug, complete, ISO, HNBR Kv 14	9613158913				
	1	Plug, complete, ISO, HNBR Kv 44	9613158914				
	1	Plug, complete, ISO, HNBR Kv 16	9613168517				
	1	Plug, complete, ISO, HNBR Kv 25	9613168518				
	1	Plug, complete, ISO, HNBR Kv 75		9613158915			
	1	Plug, complete, ISO, HNBR Kv 9		9613168519			
	1	Plug, complete, ISO, HNBR Kv 34		9613168520			
	1	Plug, complete, ISO, HNBR Kv 52		9613168521			
	1	Plug, complete, ISO, HNBR Kv 106			9613158916		
	1	Plug, complete, ISO, HNBR Kv 27			9613168523		
	1	Plug, complete, ISO, HNBR Kv 171				9613158917	
	1	Plug, complete, ISO, HNBR Kv 100				9613168524	
	1	Plug, complete, ISO, HNBR Kv 59				9613168607	
	1	Plug, complete, ISO, HNBR Kv 250					9613158918
	1	Plug, complete, ISO, HNBR Kv 125					9613168608
	1	Plug, complete, ISO, HNBR Kv 164					9613168609
	1	Plug, complete, DIN, HNBR Kv 14	9613158919				
	1	Plug, complete, DIN, HNBR Kv 44	9613158920				
	1	Plug, complete, DIN, HNBR Kv 16	9613168525				
	1	Plug, complete, DIN, HNBR Kv 25	9613168526				
	1	Plug, complete, DIN, HNBR Kv 75		9613158921			
	1	Plug, complete, DIN, HNBR Kv 9		9613168527			
	1	Plug, complete, DIN, HNBR Kv 34		9613168528			
	1	Plug, complete, DIN, HNBR Kv 52		9613168529			
	1	Plug, complete, DIN, HNBR Kv 106			9613158922		
	1	Plug, complete, DIN, HNBR Kv 27			9613168531		
	1	Plug, complete, DIN, HNBR Kv 171				9613158923	
	1	Plug, complete, DIN, HNBR Kv 100				9613168532	
	1	Plug, complete, DIN, HNBR Kv 59				9613168610	
	1	Plug, complete, DIN, HNBR Kv 250					9613158924
	1	Plug, complete, DIN, HNBR Kv 125					9613168611
	1	Plug, complete, DIN, HNBR Kv 164					9613168612

If the actuator is marked with a danger warning do NOT attempt to cut the actuator open.

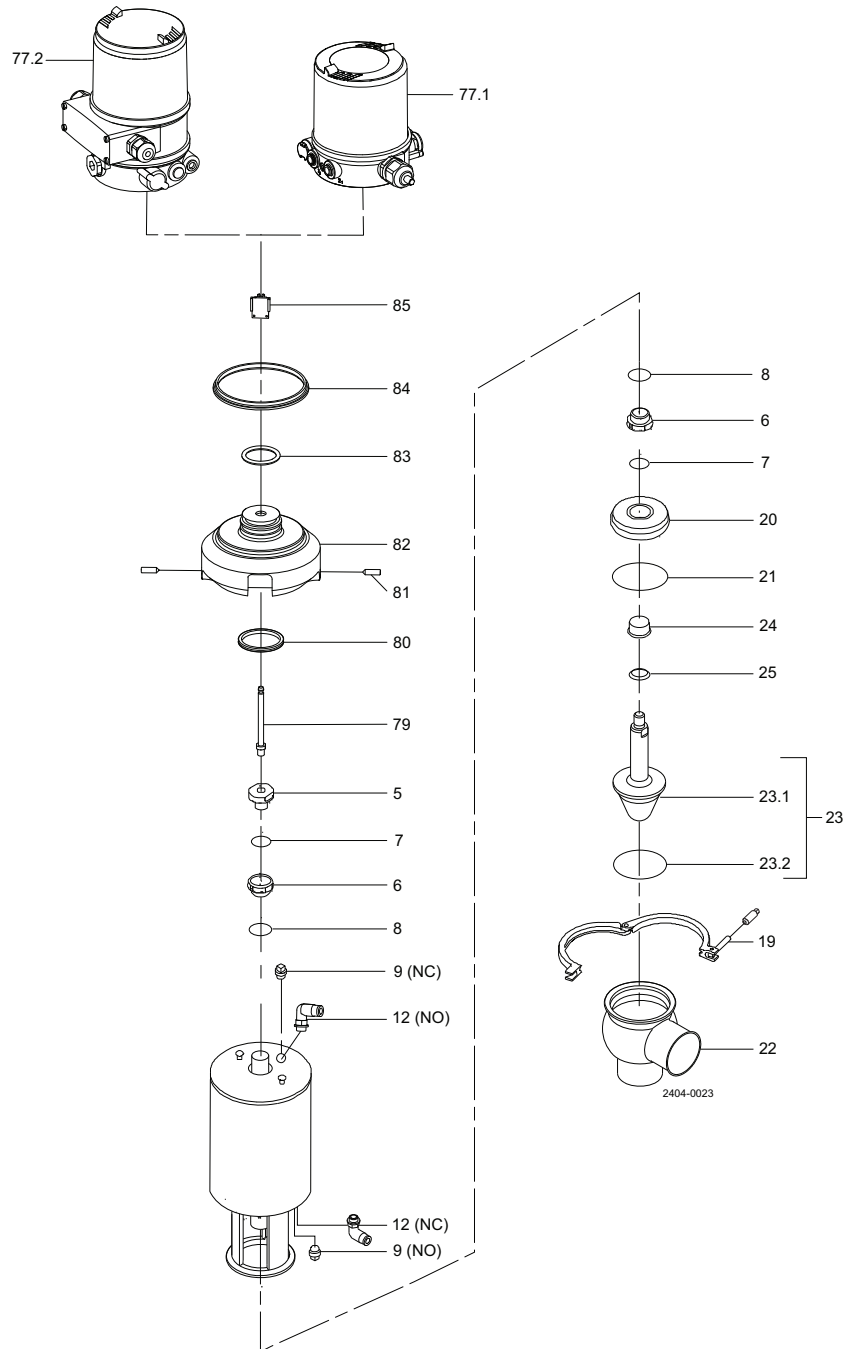


Do NOT attempt to disassemble the actuator due to spring under load danger!



Do NOT attempt to cut the actuator open, due to spring under load danger!

1.9



Pos	Qty	Denomination	DN40	DN50	DN65	DN80	DN100
			38 mm	51 mm	63.5 mm	76.1 mm	101.6 mm
23	1	Plug, complete, ISO, FPM Kv 14	9613158925				
	1	Plug, complete, ISO, FPM Kv 44	9613158926				
	1	Plug, complete, ISO, FPM Kv 16	9613168533				
	1	Plug, complete, ISO, FPM Kv 25	9613168534				
	1	Plug, complete, ISO, FPM Kv 75		9613158927			
	1	Plug, complete, ISO, FPM Kv 9		9613168535			
	1	Plug, complete, ISO, FPM Kv 34		9613168536			
	1	Plug, complete, ISO, FPM Kv 52		9613168537			
	1	Plug, complete, ISO, FPM Kv 106			9613158928		
	1	Plug, complete, ISO, FPM Kv 27			9613168539		
	1	Plug, complete, ISO, FPM Kv 171				9613158929	
	1	Plug, complete, ISO, FPM Kv 100				9613168540	
	1	Plug, complete, ISO, FPM Kv 59				9613168613	
	1	Plug, complete, ISO, FPM Kv 250					9613158930
	1	Plug, complete, ISO, FPM Kv 125					9613168614
	1	Plug, complete, ISO, FPM Kv 164					9613168615
	1	Plug, complete, DIN, FPM Kv 14	9613158931				
	1	Plug, complete, DIN, FPM Kv 44	9613158932				
	1	Plug, complete, DIN, FPM Kv 16	9613168541				
	1	Plug, complete, DIN, FPM Kv 25	9613168542				
	1	Plug, complete, DIN, FPM Kv 75		9613158933			
	1	Plug, complete, DIN, FPM Kv 9		9613168543			
	1	Plug, complete, DIN, FPM Kv 34		9613168544			
	1	Plug, complete, DIN, FPM Kv 52		9613168545			
	1	Plug, complete, DIN, FPM Kv 106			9613158934		
	1	Plug, complete, DIN, FPM Kv 27			9613168547		
	1	Plug, complete, DIN, FPM Kv 171				9613158935	
	1	Plug, complete, DIN, FPM Kv 100				9613168548	
	1	Plug, complete, DIN, FPM Kv 59				9613168616	
	1	Plug, complete, DIN, FPM Kv 250					9613158936
	1	Plug, complete, DIN, FPM Kv 125					9613168617
	1	Plug, complete, DIN, FPM Kv 164					9613168618
	23.1	1	Plug, ISO, Kv 14	9613158801			
1		Plug, ISO, Kv 44	9613158802				
1		Plug, ISO, Kv 16	9613165001				
1		Plug, ISO, Kv 25	9613165002				
1		Plug, DIN, Kv 14	9613158807				
1		Plug, DIN, Kv 44	9613158808				
1		Plug, DIN, Kv 16	9613165009				
1		Plug, DIN, Kv 25	9613165010				
1		Plug, ISO, Kv 75		9613158803			
1		Plug, ISO, Kv 9		9613165003			
1		Plug, ISO, Kv 34		9613165004			
1		Plug, ISO, Kv 52		9613165005			
1		Plug, DIN, Kv 75		9613158809			
1		Plug, DIN, Kv 9		9613165011			
1		Plug, DIN, Kv 34		9613165012			
1		Plug, DIN, Kv 52		9613165013			
1		Plug, ISO, Kv 106			9613158804		
1		Plug, ISO, Kv 27			9613165007		
1		Plug, DIN, Kv 106			9613158810		
1		Plug, DIN, Kv 27			9613165015		
1		Plug, DIN, Kv 171				9613158805	
1		Plug, ISO, Kv 100				9613165008	
1		Plug, ISO, Kv 59				9613167001	
1		Plug, DIN, Kv 171				9613158811	
1		Plug, DIN, Kv 100				9613165016	
1		Plug, DIN, Kv 59				9613167004	
1		Plug, ISO, Kv 250					9613158806
1		Plug, ISO, Kv 125					9613167002
1		Plug, ISO, Kv 164					9613167003
1		Plug, DIN, Kv 250					9613158812
1		Plug, DIN, Kv 125					9613167005
1		Plug, DIN, Kv 164					9613167006

If the actuator is marked with a danger warning do NOT attempt to cut the actuator open.

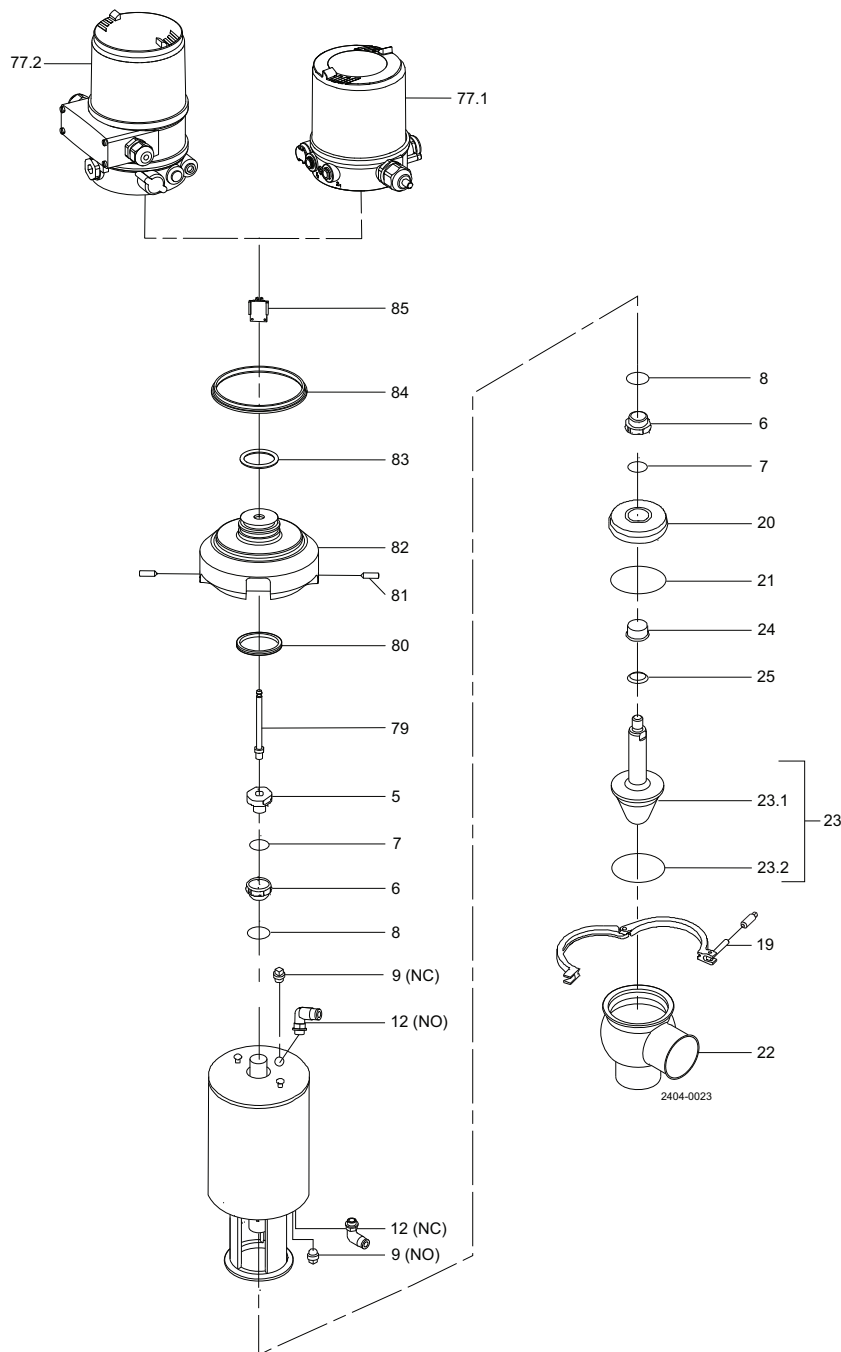


Do NOT attempt to disassemble the actuator due to spring under load danger!



Do NOT attempt to cut the actuator open, due to spring under load danger!

1.9



Pos	Qty	Denomination	DN40	DN50	DN65	DN80	DN100
			38 mm	51 mm	63.5 mm	76.1 mm	101.6 mm
23.2	1	Plug seal, EPDM (standard)					
	1	Plug seal, HNBR					
	1	Plug seal, FPM					
		Plug seal, set (10 pcs.), EPDM	9614059404	9614059407	9614059410	9614059413	9614059416
		Plug seal, set (10 pcs.), HNBR	9614059405	9614059408	9614059411	9614059414	9614059417
		Plug seal, set (10 pcs.), FPM	9614059406	9614059409	9614059412	9614059415	9614059418

Recommended spare parts: Service kits

		Denomination	DN40	DN50	DN65	DN80	DN100
			38 mm	51 mm	63.5 mm	76.1 mm	101.6 mm
•		Service kit, actuator	9611926500	9611926500	9611926500	9611926500	9611926500
□		Service kit, EPDM	9611926502	9611926503	9611926504	9611926505	9611926506
□		Service kit, HNBR	9611926508	9611926509	9611926510	9611926511	9611926512
□		Service kit, FPM	9611926514	9611926515	9611926516	9611926517	9611926518

Parts marked with • are included in the service kits (actuator)

Parts marked with □ are included in the service kits (product wetted parts)

Tool for bushing (pos. 24) 9613160901

TD 900618/5

If the actuator is marked with a danger warning do NOT attempt to cut the actuator open.



Do NOT attempt to disassemble the actuator due to spring under load danger.



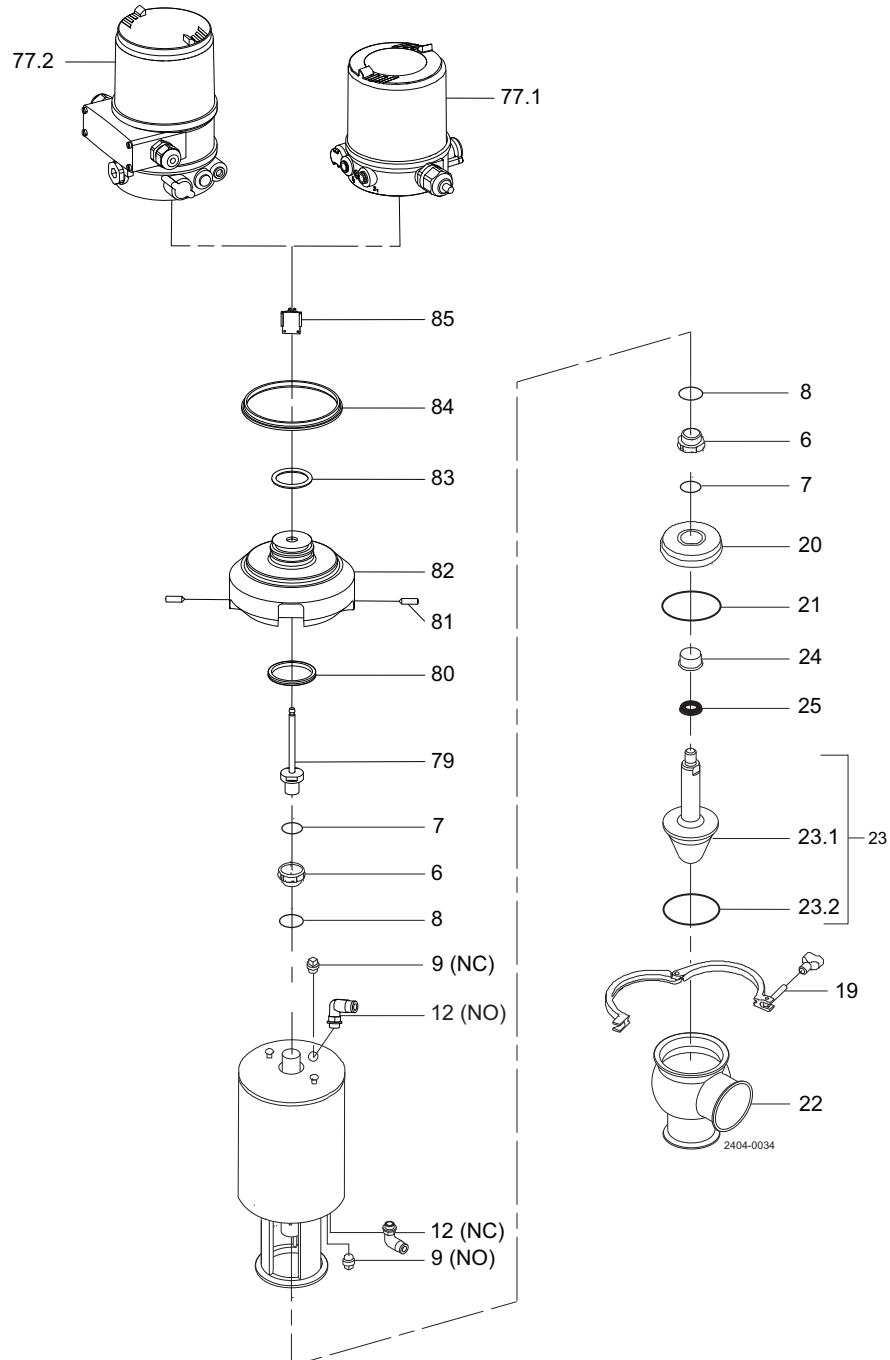
Do NOT attempt to cut the actuator open, due to spring under load danger.

AND



Do NOT attempt to cut the actuator open, due to spring under load danger.

1.9



Pos	Qty	Denomination	1½"	2"	2½"	3"	4"
		Actuator, complete, (NO)	9613154831	9613154832	9613154833	9613154834	9613154835
		Actuator, complete, (NC)	9613154836	9613154837	9613154838	9613154839	9613154840
6 ●	2	Bushing					
7 ●	2	O-ring					
8 ●	2	O-ring					
9	1	Plug (NO+NC)	9613414101	9613414101	9613414101	9613414101	9613414101
12	1	Air fitting (NC)	9611994682	9611994682	9611994682	9611994682	9611994682
76	1	Positioner, 8694 (incl. Pos. 77 to 85)	9614180401	9614180401	9614180401	9614180401	9614180401
	1	Positioner, 8692 (incl. Pos. 77 to 85)	9614180501	9614180501	9614180501	9614180501	9614180501
77.1	1	Positioner 8694 without display					
77.2	1	Positioner 8692 with display					
79	1	Spindle					
80	1	Special X-ring	9612569601	9612569601	9612569601	9612569601	9612569601
81	2	Allen screw	9611993409	9611993409	9611993409	9611993409	9611993409
82	1	Adapter					
83	1	O-ring	9611995273	9611995273	9611995273	9611995273	9611995273
84	1	Gasket for adapter	9611995274	9611995274	9611995274	9611995274	9611995274
85	1	Puck sensorpad, cpl., (Green)	9611995275	9611995275	9611995275	9611995275	9611995275
	1	Puck sensorpad, cpl., (Gray)					
Clamp							
19	1	Clamp	9612939316	9612939317	9612939318	9612939319	9612939320
Bonnet							
20	1	Bonnet	9613127102	9613127103	9613127104	9613127105	9613127106
21 □	1	O-ring, EPDM (standard)					
	1	O-ring, HNBR					
	1	O-ring, FPM					
		O-ring, set (10 pcs.) EPDM	9614059422	9614059425	9614059428	9614059431	9614059434
		O-ring, set (10 pcs.) HNBR	9614059423	9614059426	9614059429	9614059432	9614059435
		O-ring, set (10 pcs.) FPM	9614059424	9614059427	9614059430	9614059433	9614059436
24	1	Bushing	9613125002	9613125002	9613125002	9613125002	9613125002
25 □	1	Lip seal, EPDM (standard)					
	1	Lip seal, HNBR					
	1	Lip seal, FPM					
		Lip seal, set (10 pcs.) EPDM	9614059419	9614059419	9614059419	9614059419	9614059419
		Lip seal, set (10 pcs.) HNBR	9614059420	9614059420	9614059420	9614059420	9614059420
		Lip seal, set (10 pcs.) FPM	9614059421	9614059421	9614059421	9614059421	9614059421
Valve Body							
22	1	Valve body, lower, 2 ports, clamp	9613161603	9613161605	9613161607	9613161609	9613161611
	1	Valve body, lower, 3 ports, clamp	9613161604	9613161606	9613161608	9613161610	9613161612
	1	Valve body, lower 2 ports, welding ends	9613139515	9613139517	9613139519	9613139521	9613139523
	1	Valve body, lower 3 ports, welding ends	9613139516	9613139518	9613139520	9613139522	9613139524
Valve Plug							
23	1	Plug, complete, EPDM (standard) Cv 16	9613158901				
	1	Plug, complete, EPDM (standard) Cv 52	9613158902				
	1	Plug, complete, EPDM (standard) Cv 19	9613168501				
	1	Plug, complete, EPDM (standard) Cv 29	9613168502				
	1	Plug, complete, EPDM (standard) Cv 88		9613158903			
	1	Plug, complete, EPDM (standard) Cv 11		9613168503			
	1	Plug, complete, EPDM (standard) Cv 35		9613165504			
	1	Plug, complete, EPDM (standard) Cv 60		9613158505			
	1	Plug, complete, EPDM (standard) Cv 126			9613158904		
	1	Plug, complete, EPDM (standard) Cv 30			9613168507		
	1	Plug, complete, EPDM (standard) Cv 202				9613158905	
	1	Plug, complete, EPDM (standard) Cv 119				9613168508	
	1	Plug, complete, EPDM (standard) Cv 69				9613168601	
	1	Plug, complete, EPDM (standard) Cv 290					9613158906
	1	Plug, complete, EPDM (standard) Cv 148					9613168602
	1	Plug, complete, EPDM (standard) Cv 193					9613168603
	1	Plug, complete, HNBR Cv 16	9613158913				
	1	Plug, complete, HNBR Cv 52	9613158914				
	1	Plug, complete, FPM Cv 19	9613158917				
	1	Plug, complete, FPM Cv 29	9613158918				
	1	Plug, complete, HNBR Cv 88		9613158915			
	1	Plug, complete, HNBR Cv 11		9613158919			
	1	Plug, complete, HNBR Cv 35		9613158920			
	1	Plug, complete, HNBR Cv 60		9613158921			
	1	Plug, complete, HNBR Cv 126			9613158916		
	1	Plug, complete, HNBR Cv 30			9613158923		
	1	Plug, complete, HNBR Cv 202				9613158917	
	1	Plug, complete, HNBR Cv 119				9613168524	
	1	Plug, complete, HNBR Cv 69				9613168507	
	1	Plug, complete, HNBR Cv 290					9613158918
	1	Plug, complete, HNBR Cv 148					9613168608
	1	Plug, complete, HNBR Cv 193					9613168609

If the actuator is marked with a danger warning do NOT attempt to cut the actuator open.



Do NOT attempt to disassemble the actuator due to spring under load danger.



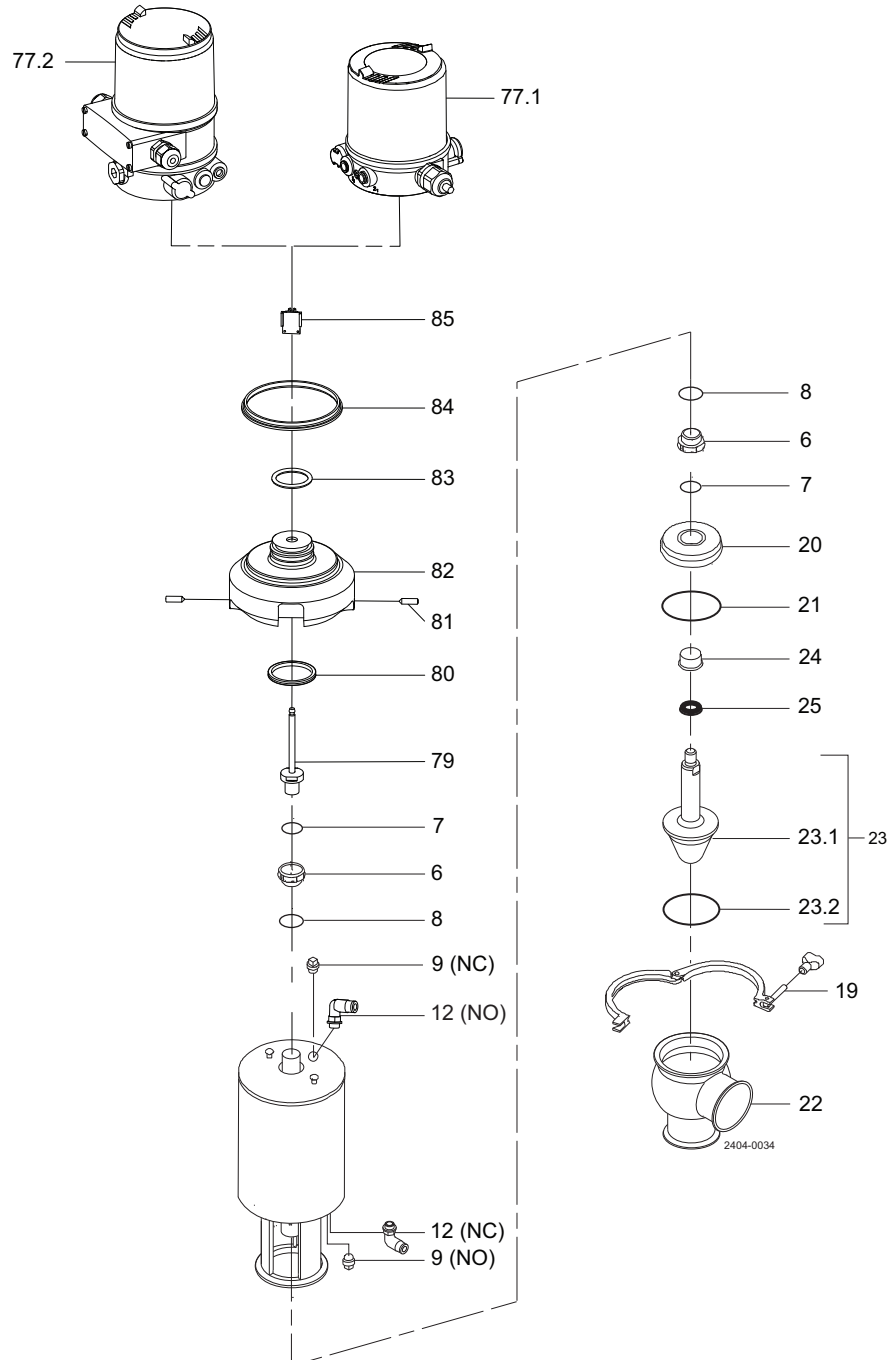
Do NOT attempt to cut the actuator open, due to spring under load danger.

AND



Do NOT attempt to cut the actuator open, due to spring under load danger.

1.9



Pos	Qty	Denomination	1½"	2"	2½"	3"	4"
	1	Plug, complete, FPM Cv 16	9613158925				
	1	Plug, complete, FPM Cv 52	9613158926				
	1	Plug, complete, FPM Cv 19	9613168533				
	1	Plug, complete, FPM Cv 29	9613168534				
	1	Plug, complete, FPM Cv 88		9613158927			
	1	Plug, complete, FPM Cv 11		9613168535			
	1	Plug, complete, FPM Cv 35		9613168536			
	1	Plug, complete, FPM Cv 60		9613168537			
	1	Plug, complete, FPM Cv 126			9613158928		
	1	Plug, complete, FPM Cv 30			9613168539		
	1	Plug, complete, FPM Cv 202				9613158929	
	1	Plug, complete, FPM Cv 119				9613168540	
	1	Plug, complete, FPM Cv 69				9613168513	
	1	Plug, complete, FPM Cv 290					9613158930
	1	Plug, complete, FPM Cv 148					9613168614
	1	Plug, complete, FPM Cv 193					9613168615
23.1	1	Plug, Cv 16	9613158801				
	1	Plug, Cv 52	9613158802				
	1	Plug, Cv 19	9613165001				
	1	Plug, Cv 29	9613165002				
	1	Plug, Cv 88		9613158803			
	1	Plug, Cv 11		9613165003			
	1	Plug, Cv 35		9613165004			
	1	Plug, Cv 60		9613165005			
	1	Plug, Cv 126			9613165004		
	1	Plug, Cv 30			9613165007		
	1	Plug, Cv 202				9613158805	
	1	Plug, Cv 119				9613165008	
	1	Plug, Cv 69				9613167001	
	1	Plug, Cv 290					9613158806
	1	Plug, Cv 148					9613167002
	1	Plug, Cv 193					9613167003
23.2	1	Plug seal, EPDM (standard)					
	1	Plug seal, HNBR					
	1	Plug seal, FPM					
		Plug seal, set (10 pcs.) EPDM	9614059404	9614059407	9614059410	9614059413	9614059416
		Plug seal, set (10 pcs.) HNBR	9614059405	9614059408	9614059411	9614059414	9614059417
		Plug seal, set (10 pcs.) FPM	9614059406	9614059409	9614059412	9614059415	9614059418

1.9

Service kit

		1½"	2"	2½"	3"	4"
•	Service kit, actuator	9611926500	9611926500	9611926500	9611926500	9611926500
□	Service kit, EPDM	9611926502	9611926503	9611926504	9611926505	9611926506
□	Service kit, HNBR	9611926508	9611926509	9611926510	9611926511	9611926512
□	Service, FPM	9611926514	9611926515	9611926516	9611926517	9611926518

Parts marked with • are included in the service kits (actuator)

Parts marked with □ are included in the service kits (product wetted parts)

Tool for bushing (pos. 24) 9613160901

TD 900-616/4

If the actuator is marked with a danger warning do NOT attempt to cut the actuator open.

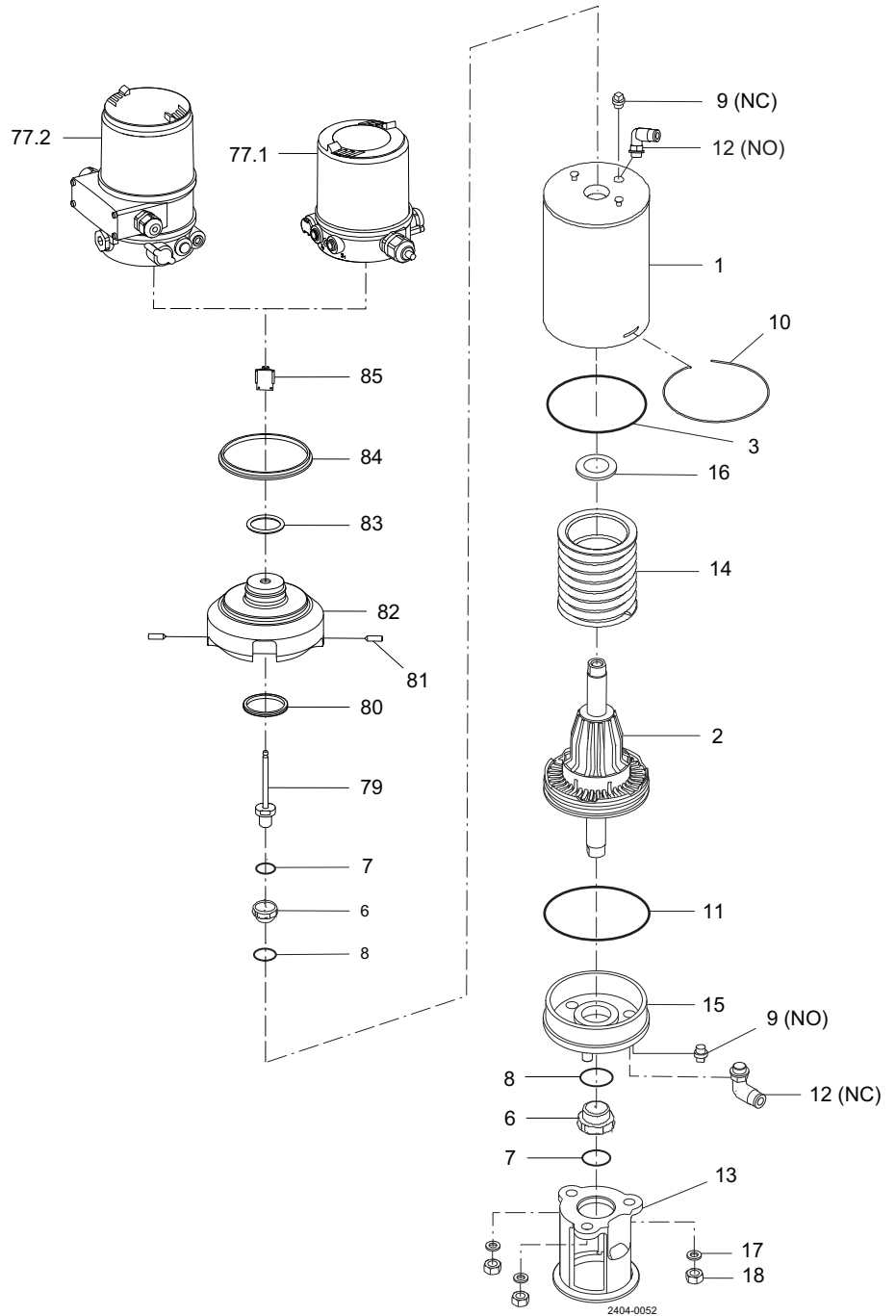


Do NOT attempt to disassemble the actuator due to spring under load danger!



Do NOT attempt to cut the actuator open, due to spring under load danger!

1.9



*) "Removable yoke bolts" version, product from 2006 to June 2016.
 Replaced by "yoke without bolts" (13)

Pos	Qty	Denomination	DN40	DN50	DN65	DN80	DN100
			38 mm	51mm	63.5 mm	76.1 mm	101.6 mm
		Actuator, complete (NO)	9613185301	9613185302	9613185303	9613185304	9613185305
		Actuator, complete (NC)	9613185306	9613185307	9613185308	9613185309	9613185310
1	1	Cylinder	9613142511	9613142512	9613142512	9613142513	9613142513
2	1	Piston	9613132201	9613132301	9613132301	9613132401	9613132401
3	• 1	O-ring					
5	1	Adaptor, steel (0115 -)					
6	• 1	Adapter, plastic (- 0115)	9614065301	9614065301	9614065301	9614065301	9614065301
7	• 2	Bushing					
8	• 2	O-ring					
9	1	Plug, (NO+NC)	9613414101	9613414101	9613414101	9613414101	9613414101
10	1	Lock wire	9613143201	9613143202	9613143202	9613143203	9613143203
11	• 1	O-ring					
12	1	Air fitting, (NC)	9611991988	9611991988	9611991988	9611991988	9611991988
13	1	Yoke without bolts , (0616 -)	9613154301	9613154402	9613154502	9613154603	9613154703
14	1	Spring assembly	9613132501	9613132502	9613132502	9613132503	9613132503
16	• 1	Support disc					
76	1	Positioner 8694 (incl. Pos. 77 to 85)	9611995266	9611995266	9611995266	9611995266	9611995266
77.1	1	Positioner 8692 (incl. Pos. 77 to 85)	9611995268	9611995268	9611995268	9611995268	9611995268
77.2	1	Positioner 8692 with display					
79	1	Spindle					
80	1	Special X-ring	9612569601	9612569601	9612569601	9612569601	9612569601
81	2	Allen screw	9611993409	9611993409	9611993409	9611993409	9611993409
82	1	Adapter					
83	1	O-ring	9611995273	9611995273	9611995273	9611995273	9611995273
84	1	Gasket for adapter	9611995274	9611995274	9611995274	9611995274	9611995274
85	1	Puck sensor pad, cpl.	9611995275	9611995275	9611995275	9611995275	9611995275

Removeable yoke with bolts - OBSOLETE

use position 13

13.1	1	Yoke (- 0616)					
15	1	Bottom (- 0616)					
17	3	Washer (- 0616)					
18	3	Nut (- 0616)					

Service kit

			DN40	DN50	DN65	DN80	DN100
			38 mm	51 mm	63.5 mm	76.1 mm	101.6 mm
•		Service kit, Actuator	9611926497	9611926498	9611926498	9611926499	9611926499

Parts marked with ● are included in the service kits (actuator)

Recommended spare parts: Service kits.

If the actuator is marked with a danger warning do NOT attempt to cut the actuator open.



Do NOT attempt to disassemble the actuator due to spring under load danger.



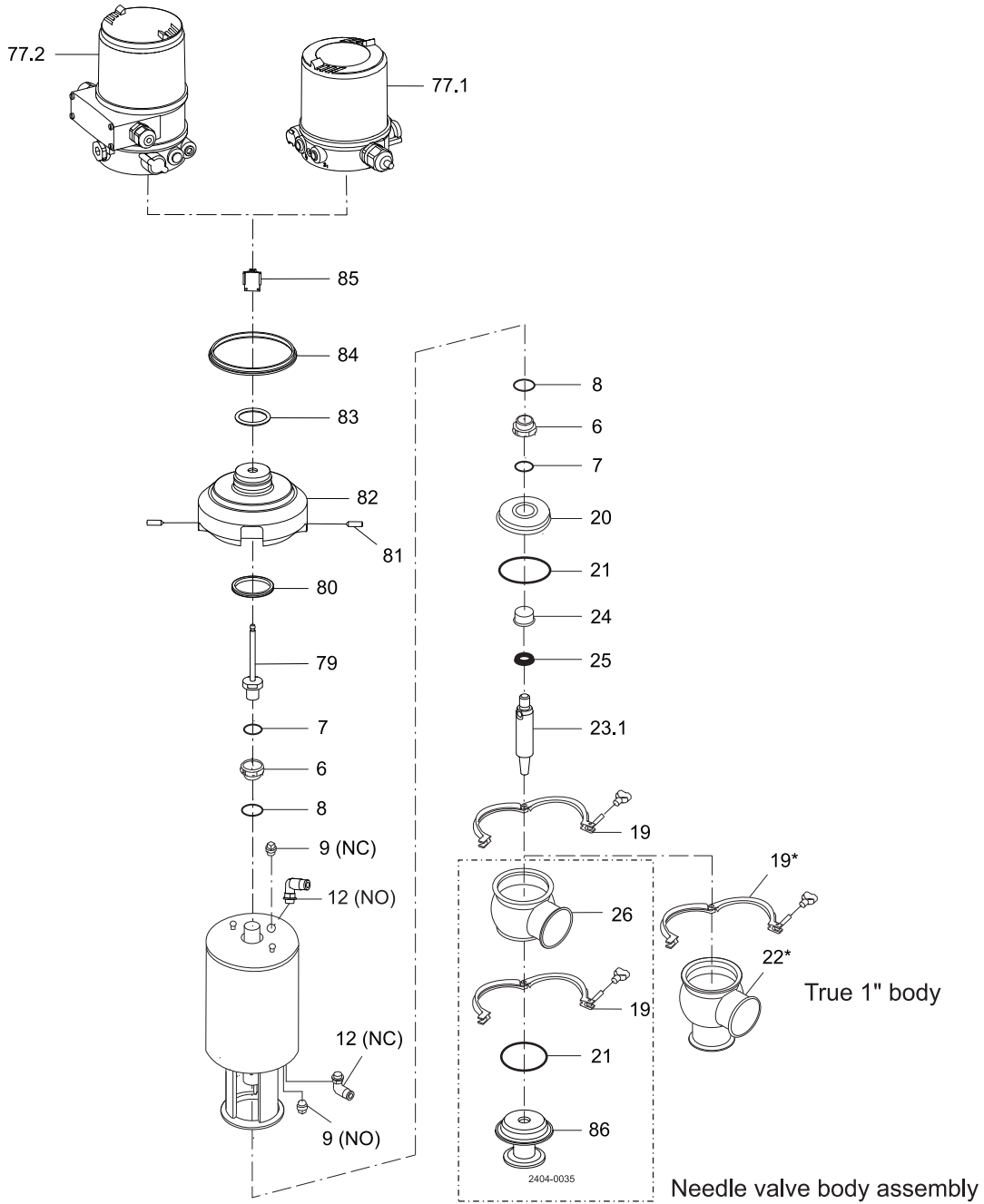
Do NOT attempt to cut the actuator open, due to spring under load danger.

AND



Do NOT attempt to cut the actuator open, due to spring under load danger.

1.9

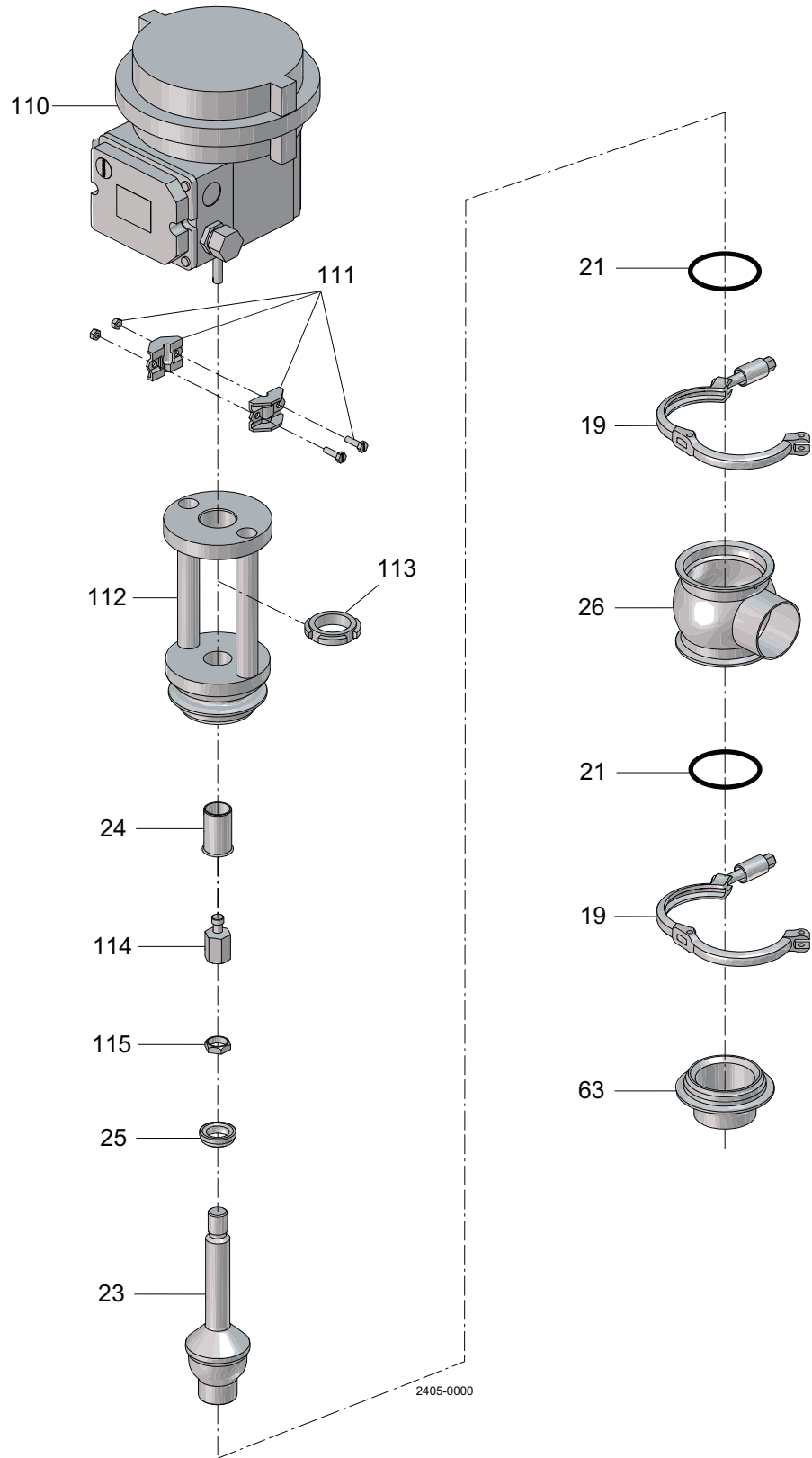


Pos	Qty	Denomination	1" Needle	1" Std
Actuator				
		Actuator, complete (NO)	9613185316	9613185316
		Actuator, complete (NC)	9613185321	9613185321
6	□	2 Bushing		
7	□	2 O-ring		
8	□	2 O-ring		
9		1 Plug	9613414101	9613414101
12		1 Air fitting	9611994682	9611994682
76		1 Positioner 8694, (incl. Pos. 77 to 85)	9634085943	9634085943
		1 Positioner 8692, (incl. Pos. 77 to 85)	9634085944	9634085944
77.1		1 Positioner 8694, without display		
77.2		1 Positioner 8692, with display		
79		1 Spindle		
80		1 Special X-ring	9612569601	9612569601
81		2 Allen screw	9611993409	9611993409
82		1 Adapter		
83		1 O-ring	9611995273	9611995273
84		1 Gasket for adapter	9611995274	9611995274
85		1 Puck sensorpad, cpl., (Green)	9611995275	9611995275
		1 Puck sensorpad, cpl., (Gray)		
Clamp				
19		2 Clamp	9612939316	
		1 Clamp		9612939316
Bonnet				
20		1 Bonnet	9613127102	9613127102
21	♦	2 O-ring, EPDM (standard)		
	♦	2 O-ring, HNBR		
	♦	2 O-ring, FPM		
	♦	1 O-ring, EPDM (standard)		
	♦	1 O-ring, HNBR		
	♦	1 O-ring, FPM		
		1 O-ring, set (10 pcs) EPDM	9614059422	9614059422
		1 O-ring, set (10 pcs) HNBR	9614059423	9614059423
		1 O-ring, set (10 pcs) FPM	9614059424	9614059424
24		1 Bushing	9613125002	9613125002
25		1 Lip seal, EPDM (standard)		
		1 Lip seal, HNBR		
		1 Lip seal, FPM		
		1 Lip seal, set (10 pcs) EPDM	9614059419	9614059419
		1 Lip seal, set (10 pcs) HNBR	9614059420	9614059420
		1 Lip seal, set (10 pcs) FPM	9614059421	9614059421
Valve Body				
22		1 Valve body, lower, 2 ports, clamp		9613161601
		1 Valve body, lower, 3 ports, clamp		
		1 Valve body, lower, 2 ports, welding ends		9613139513
		1 Valve body, lower, 3 ports, welding ends		
26		1 Valve body, upper, 1 ports, clamp ends	9613161501	
		1 Valve body, upper, 2 ports, clamp ends		
		1 Valve body, upper, 1 ports, welding ends	9613139313	
		1 Valve body, upper, 2 ports, welding ends		
86		1 Valve body base, clamp	9634087702	
Valve Plug				
23		1 Plug, Cv 1.1	9634087802	
		1 Plug, Cv 1.7	9634087803	
		1 Plug, Cv 2.2	9634087804	
		1 Plug, Cv 2.9	9634087805	
		1 Plug, Cv 3.4	9634087806	
		1 Plug, Cv 7.8		9634087901
		1 Plug, Cv 15.3		9634088001
Service kits				
□		Service kit, actuator	9611926500	9611926500
♦		Service kit, EPDM	9611926958	9611926961
♦		Service kit, HNBR	9611926959	9611926962
♦		Service kit, FPM	9611926960	9611926963

Parts marked with □♦ are included in the service kits

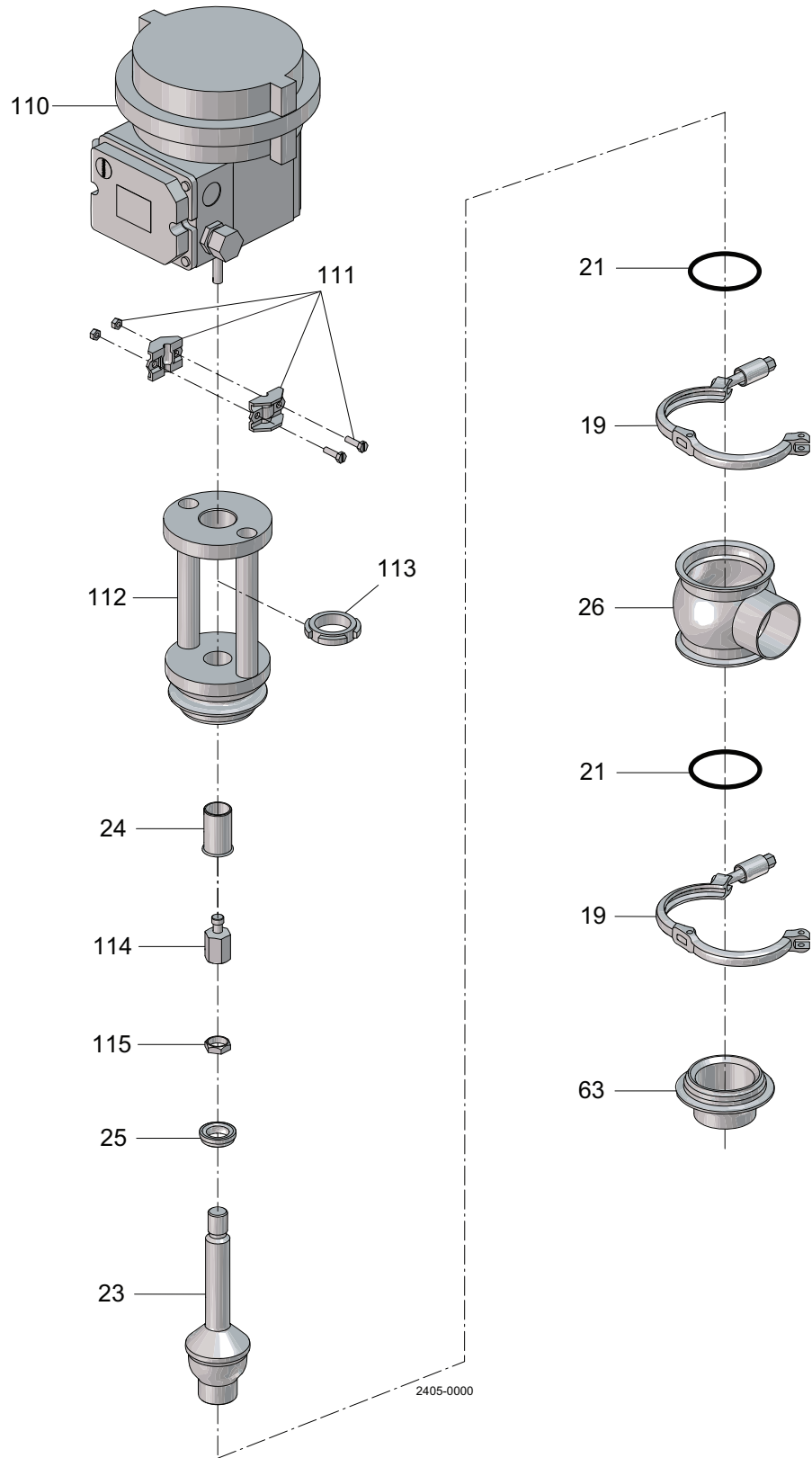
TD 900-653/4

1.9



Pos	Qty	Denomination	38mm DN40	51mm DN50	63.5mm DN65	76.1mm DN80	101.6mm DN100
110	1	Actuator, complete, NO pos. Type 3725 (incl. pos 111, 113 and 114)	9615219901	9615219901	9615219901	9615219901	9615219901
	1	Actuator, complete, NC pos. Type 3725 (incl. pos 111, 113 and 114)	9615219902	9615219902	9615219902	9615219902	9615219903
	1	Actuator, complete, NO pos. Type 3730 ProfiBus (incl. pos 111, 113 and 114)	9615219904	9615219904	9615219904	9615219904	9615219904
	1	Actuator, complete, NC pos. Type 3730 ProfiBus (incl. pos. 111, 113 and 114)	9615219905	9615219905	9615219905	9615219905	9615219906
111	1	Clamp fitting	9612534201	9612534201	9612534201	9612534201	
	1	Clamp fitting, NO					9612534201
	1	Clamp fitting, NC					9612534202
112	1	Bonnet, complete, (incl. Pos 24)	9613170701	9613170702	9613170703	9613170704	9613170705
113	1	Striking nut	9612533901	9612533901	9612533901	9612533901	9612533901
24	1	Bushing	9613172101	9613172101	9613172102	9613172102	9613172102
114	1	Valve plug adjuster	9615333801	9615333801	9615333801	9615333801	
	1	Valve plug adjuster, NO					9615333801
	1	Valve plug adjuster, NC					9615333901
115	1	Nut	9613172001	9613172001	9613172001	9613172001	9613172001
25	★	Lip seal, EPDM (standard)					
	★	Lip seal, HNBR					
	★	Lip seal, FPM					
		Lip seal set (10 pcs.) EPDM	9614059419	9614059419	9614059419	9614059419	9614059419
		Lip seal set (10 pcs.) HNBR	9614059420	9614059420	9614059420	9614059420	9614059420
		Lip seal set (10 pcs.) FPM	9614059421	9614059421	9614059421	9614059421	9614059421
23	1	Plug, Kv 0.5 ISO	9613169801				
	1	Plug, Kv 0.5 DIN	9613169802				
	1	Plug, Kv 1 ISO	9613169901				
	1	Plug, Kv 1 DIN	9613169902				
	1	Plug, Kv 2 ISO	9613170001				
	1	Plug, Kv 2 DIN	9613170002				
	1	Plug, Kv 4 ISO	9613170101				
	1	Plug, Kv 4 DIN	9613170102				
	1	Plug, Kv 8 ISO	9613170201				
	1	Plug, Kv 8 DIN	9613170202				
	1	Plug, Kv 16 ISO	9613170301				
	1	Plug, Kv 16 DIN	9613170302				
	1	Plug, Kv 32 ISO		9613170401			
	1	Plug, Kv 32 DIN		9613170402			
	1	Plug, Kv 64 ISO			9613170501		
	1	Plug, Kv 64 DIN			9613170503		
	1	Plug, Kv 75 ISO				9613170502	
	1	Plug, Kv 75 DIN				9613170504	
	1	Plug, Kv 110 ISO					9613170601
	1	Plug, Kv 110 DIN					9613170602
21	★	O-ring, EPDM (standard)					
	★	O-ring, HNBR					
	★	O-ring, FPM					
		O-ring set (10 pcs.) EPDM	9614059422	9614059425	9614059428	9614059431	9614059434
		O-ring set (10 pcs.) HNBR	9614059423	9614059426	9614059429	9614059432	9614059435
		O-ring set (10 pcs.) FPM	9614059424	9614059427	9614059430	9614059433	9614059436
19	2	Clamp	9612939303	9612939304	9612939305	9612939306	9612939307
26	1	Valve body, upper, 1 port, ISO	9613139303	9613139305	9613139307	9613139309	9613139311
	1	Valve body, upper, 2 ports, ISO	9613139304	9613139306	9613139308	9613139310	9613139312
	1	Valve body, upper, 1 port, DIN	9613139403	9613139405	9613139407	9613139409	9613139411
	1	Valve body, upper, 2 ports, DIN	9613139404	9613139406	9613139408	9613139410	9613139412

1.9



Pos	Qty	Denomination	38mm DN40	51mm DN50	63.5mm DN65	76.1mm DN80	101.6mm DN100
63	1	Seat, Kv 0.5 ISO	9613171301				
	1	Seat, Kv 0.5 DIN	9613171401				
	1	Seat, Kv 1 ISO	9613171302				
	1	Seat, Kv 1 DIN	9613171402				
	1	Seat, Kv 2 ISO	9613171303				
	1	Seat, Kv 2 DIN	9613171403				
	1	Seat, Kv 4 ISO	9613171304				
	1	Seat, Kv 4 DIN	9613171404				
	1	Seat, Kv 8 ISO	9613171305				
	1	Seat, Kv 8 DIN	9613171405				
	1	Seat, Kv 16 ISO	9613171306				
	1	Seat, Kv 16 DIN	9613171406				
	1	Seat, Kv 32 ISO		9613171501			
	1	Seat, Kv 32 DIN		9613171502			
	1	Seat, Kv 64 ISO			9613171601		
	1	Seat, Kv 64 DIN			9613171602		
	1	Seat, Kv 75 ISO				9613171701	
	1	Seat, Kv 75 DIN				9613171702	
	1	Seat, Kv 110 ISO					9613171801
	1	Seat, Kv 110 DIN					9613171802

1.9

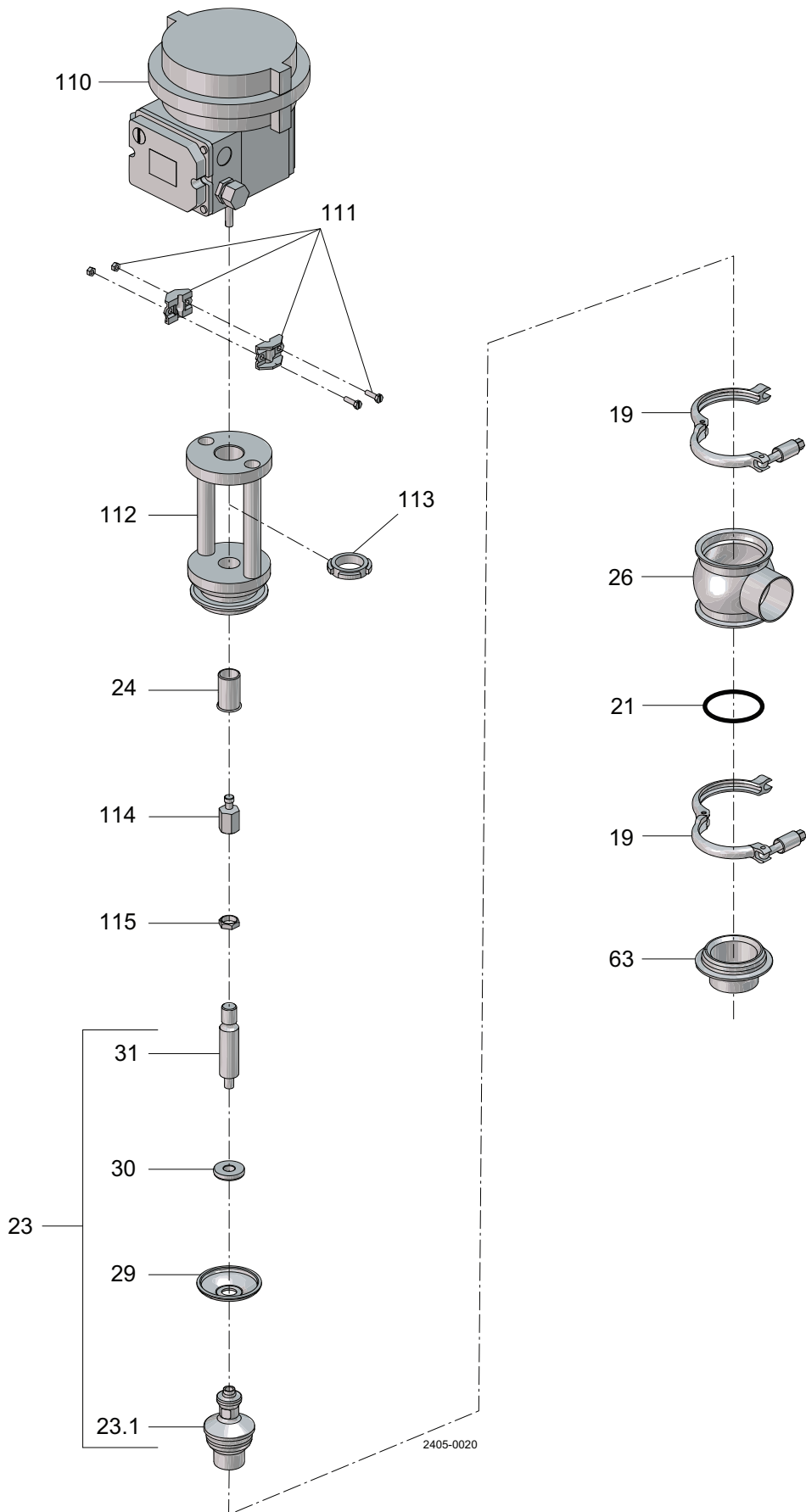
Service Kit

		38 mm DN40	51 mm DN50	63.5 mm DN65	76.1 mm DN80	101.6 mm DN100
*	Service kit, EPDM	9611926975	9611926976	9611926977	9611926978	9611926979
*	Service kit, HNBR	9611926980	9611926981	9611926982	9611926983	9611926984
*	Service kit, FPM	9611926985	9611926986	9611926987	9611926988	9611926989

Parts marked with * are included in the service kits.
 Recommended spare parts: Service kits.

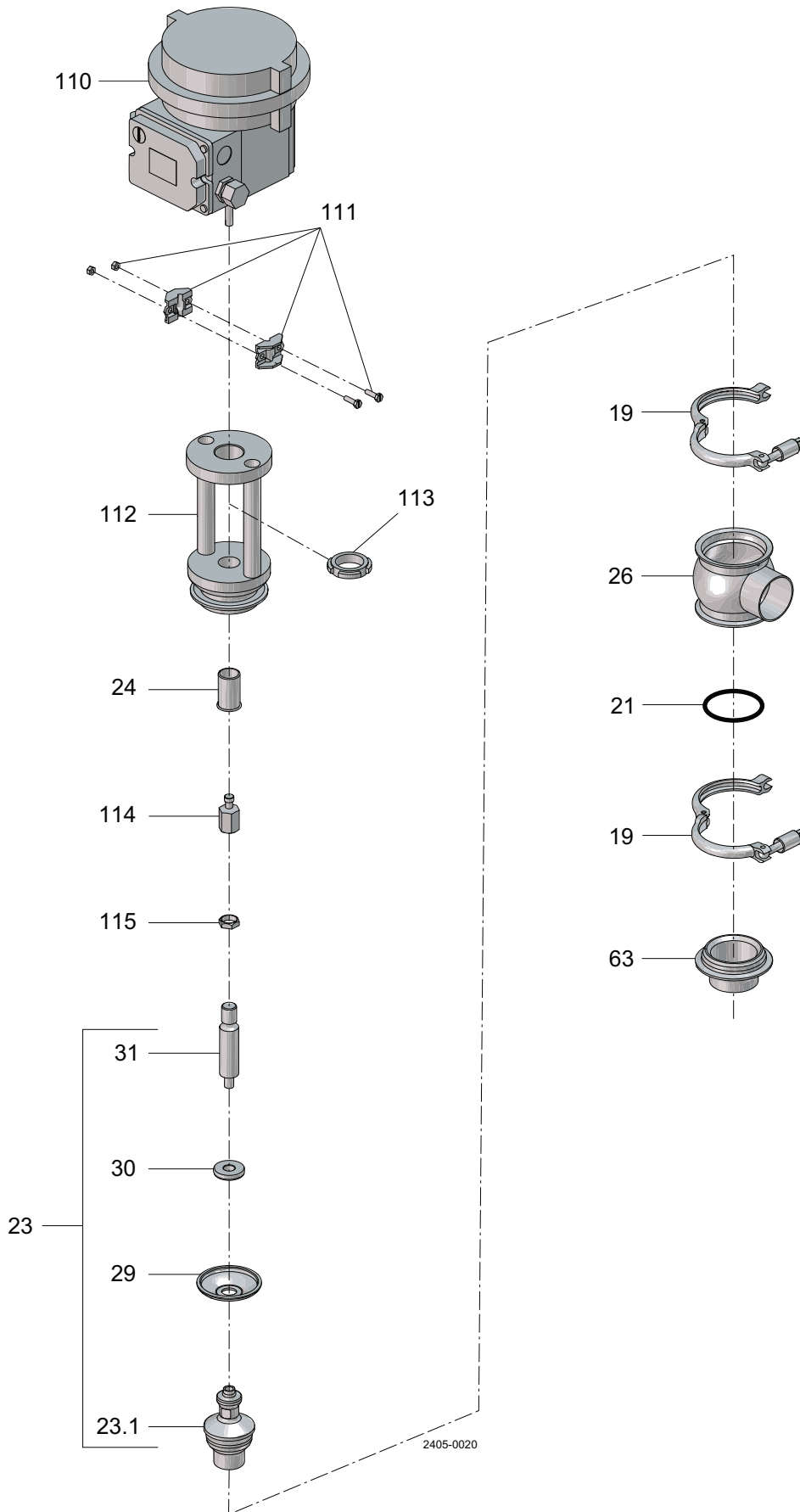
900679/2

1.9



Pos	Qty	Denomination	38 mm DN40	51 mm DN50	63.5 mm DN65	76.1 DN80	101.6 mm DN100
110	1	Actuator, complete, NO pos. Type 3725 (incl. Pos 111, 113 and 114)	9615219901	9615219901	9615219901	9615219901	9615219901
	1	Actuator, complete, NC pos. Type 3725 (incl. Pos 111, 113 and 114)	9615219902	9615219902	9615219902	9615219902	9615219903
	1	Actuator, complete, NO pos. Type 3730 ProfiBus (incl. Pos 111, 113 and 114)	9615219904	9615219904	9615219904	9615219904	9615219904
	1	Actuator, complete, NC pos. Type 3730 ProfiBus (incl. pos. 111, 113 and 114)	9615219905	9615219905	9615219905	9615219905	9615219906
111	1	Clamp fitting	9612534201	9612534201	9612534201	9612534201	
	1	Clamp fitting, NO					9612534201
	1	Clamp fitting, NC					9612534202
112	1	Bonnet, complete, (incl. Pos 24)	9615219501	9615219502	9615219503	9615219504	9615219505
113	1	Striking nut	9612533901	9612533901	9612533901	9612533901	9612533901
114	1	Valve plug adjuster	9615333801	9615333801	9615333801	9615333801	
	1	Valve plug adjuster, NO					9615333801
	1	Valve plug adjuster, NC					9615333901
115	1	Nut	9613172001	9613172001	9613172001	9613172001	9613172001
23	1	Plug, complete, Kv 0.5 ISO	9615210001				
	1	Plug, complete, Kv 0.5 DIN	9615210002				
	1	Plug, complete, Kv 1 ISO	9615210003				
	1	Plug, complete, Kv 1 DIN	9615210004				
	1	Plug, complete, Kv 2 ISO	9615210005				
	1	Plug, complete, Kv 2 DIN	9615210006				
	1	Plug, complete, Kv 4 ISO	9615210007				
	1	Plug, complete, Kv 4 DIN	9615210008				
	1	Plug, complete, Kv 8 ISO	9615210009				
	1	Plug, complete, Kv 8 DIN	9615210010				
	1	Plug, complete, Kv 16 ISO	9615210011				
	1	Plug, complete, Kv 16 DIN	9615210012				
	1	Plug, complete, Kv 32 ISO		9615210013			
	1	Plug, complete, Kv 32 DIN		9615210014			
	1	Plug, complete, Kv 64 ISO			9615210015		
	1	Plug, complete, Kv 64 DIN			9615210016		
	1	Plug, complete, Kv 75 ISO				9615210017	
	1	Plug, complete, Kv 75 DIN				9615210018	
	1	Plug, complete, Kv 110 ISO					9615210019
	1	Plug, complete, Kv 110 DIN					9615210020
23.1	1	Plug, Kv 0.5, ISO	9615209701				
	1	Plug, Kv 0.5, DIN	9615209702				
	1	Plug, Kv 1, ISO	9615218001				
	1	Plug, Kv 1, DIN	9615218002				
	1	Plug, Kv 2, ISO	9615218101				
	1	Plug, Kv 2, DIN	9615218102				
	1	Plug, Kv 4, ISO	9615218201				
	1	Plug, Kv 4, DIN	9615218202				
	1	Plug, Kv 8, ISO	9615218301				
	1	Plug, Kv 8, DIN	9615218302				
	1	Plug, Kv 16, ISO	9615218401				
	1	Plug, Kv 16, DIN	9615218402				
	1	Plug, Kv 32, ISO		9615218501			
	1	Plug, Kv 32, DIN		9615218501			
	1	Plug, Kv 64, ISO			9615218601		
	1	Plug, Kv 64, DIN			9615218602		
	1	Plug, Kv 75, ISO				9615218701	
	1	Plug, Kv 75, DIN				9615218702	
	1	Plug, Kv 110, ISO					9615218801
	1	Plug, Kv 110, DIN					9615218802
31	1	Upper Spindel	9615217801	9615209902	9615209903	9615209903	9615209903
30	1	Disc	9613144001	9613144101	9613144201	9613144301	9613144301
29 *	1	Diaphragm					
	1	Diaphragm set (10 pcs.)	9614059437	9614059438	9614059439	9614059440	9614059441
21 *	1	O-ring, EPDM (standard)					
*	1	O-ring, HNBR					
*	1	O-ring, FPM					
	1	O-ring set (10 pcs.), EPDM	9614059422	9614059425	9614059428	9614059431	9614059434
	1	O-ring set (10 pcs.), HNBR	9614059423	9614059426	9614059429	9614059432	9614059435
	1	O-ring set (10 pcs.), FPM	9614059424	9614059427	9614059430	9614059433	9614059436
19	2	Clamp	9612939303	9612939304	9612939305	9612939306	9612939307
26	1	Valve body, upper, 1 port, ISO	9613139303	9613139305	9613139307	9613139309	9613139311
	1	Valve body, upper, 2 ports, ISO	9613139304	9613139306	9613139308	9613139310	9613139312
	1	Valve body, upper, 1 port, DIN	9613139403	9613139405	9613139407	9613139409	9613139411
	1	Valve body, upper, 2 ports, DIN	9613139404	9613139406	9613139408	9613139410	9613139412

1.9



Pos	Qty	Denomination	38 mm DN40	51 mm DN50	63.5 mm DN65	76.1 mm DN80	101.6 mm DN100
63	1	Seat, Kv 0.5 ISO	9613171301				
	1	Seat, Kv 0.5 DIN	9613171401				
	1	Seat, Kv 1 ISO	9613171302				
	1	Seat, Kv 1 DIN	9613171402				
	1	Seat, Kv 2 ISO	9613171303				
	1	Seat, Kv 2 DIN	9613171403				
	1	Seat, Kv 4 ISO	9613171304				
	1	Seat, Kv 4 DIN	9613171404				
	1	Seat, Kv 8 ISO	9613171305				
	1	Seat, Kv 8 DIN	9613171405				
	1	Seat, Kv 16 ISO	9613171306				
	1	Seat, Kv 16 DIN	9613171406				
	1	Seat, Kv 32 ISO		9613171501			
	1	Seat, Kv 32 DIN		9613171502			
	1	Seat, Kv 64 ISO			9613171601		
	1	Seat, Kv 64 DIN			9613171602		
	1	Seat, Kv 75 ISO				9613171701	
	1	Seat, Kv 75 DIN				9613171702	
	1	Seat, Kv 110 ISO					9613171801
	1	Seat, Kv 110 DIN					9613171802

Service Kit

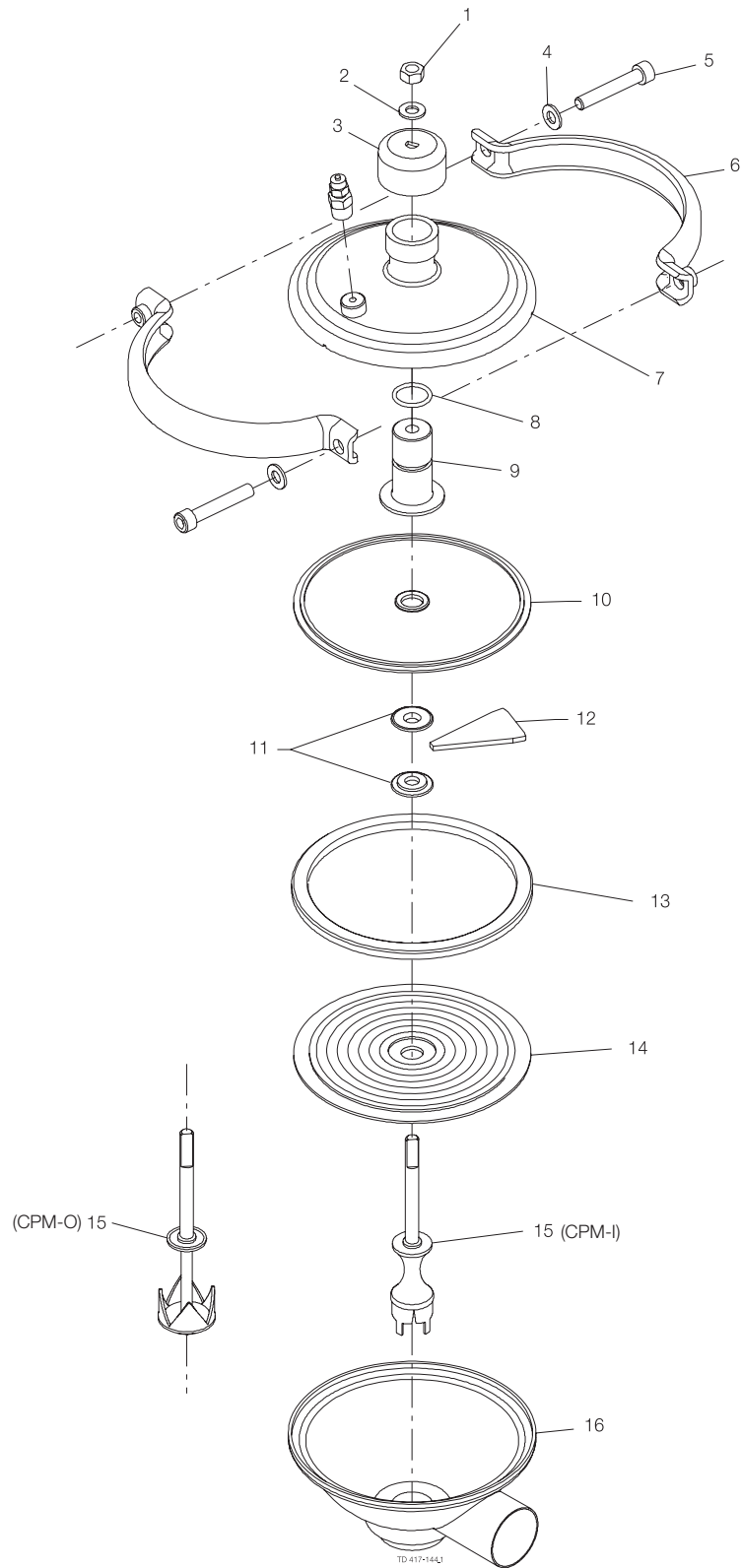
		38 mm DN40	51 mm DN50	63.5 mm DN65	76.1 mm DN80	101.6 mm DN100
*	Service Kit, EPDM	9611929001	9611929004	9611929007	9611929010	9611929013
*	Service Kit, HNBR	9611929002	9611929005	9611929008	9611929011	9611929014
*	Service Kit, FPM	9611929003	9611929006	9611929009	9611929012	9611929015

Parts marked with * are included in the service kits.

Recommended spare parts: Service kits.

900679/2

1.9



Pos	Qty	Denomination	CPMI-2- Kv23	CPMO-2- Kv23	CPMI-2- Kv2/15 Kv7	CPMO-2- Kv2/15 Kv9
1	1	Nut	22189115	22189115	22189115	22189115
2	1	Washer	9611995850	9611995850	9611995850	9611995850
3	1	Top	3135600034	3135600034	3135600034	3135600034
4	2	Washer	9611990786	9611990786	9611990786	9611990786
5	2	Screw	9611991222	9611991222	9611991222	9611991222
6	2	Clamp	9612335201	9612335201	9612335201	9612335201
7	1	Cover	3135600671	3135600671	3135600671	3135600671
8	□	O-ring, NBR (Standard)	22340649	22340649	22340649	22340649
		O-ring, FPM	9611992253	9611992253	9611992253	9611992253
9	1	Guide	3135600722	3135600722	3135600722	3135600722
10	□	Upper diaphragm, NBR (Standard)	3135600142	3135600142	3135600142	3135600142
		Upper diaphragm, EPDM/PTFE	3135600144	3135600144	3135600144	3135600144
		Upper diaphragm, PTFE	9612305702	9612305702	9612305702	9612305702
11	2	Inner ring	3135600631	3135600631	3135600631	3135600631
12	12	Support sector	3135600621	3135600621	3135600621	3135600621
13	1	Outer ring	9612305801	9612305801	9612305801	9612305801
14	□	Lower diaphragm, EPDM/PTFE (Standard)	9612306601	9612306601	9612306601	9612306601
		Lower diaphragm, PTFE	9612305701	9612305701	9612305701	9612305701
15	1	Valve plug Kv23	9612305901	9612306001		
	1	Valve plug Kv2/15			9612306101	9612306201
	1	Valve plug Kv7			9612468701	
	1	Valve plug Kv9				9612462501
16	1	Valve body, ISO	9612334001	9612334101	9612334201	9612334201
	1	Valve body, DIN	9612334301	9612334401	9612334501	9612334501
			CPMI-2- Kv23	CPMO-2- Kv23	CPMI-2- Kv2/15 Kv7	CPMO-2- Kv2/15 Kv9

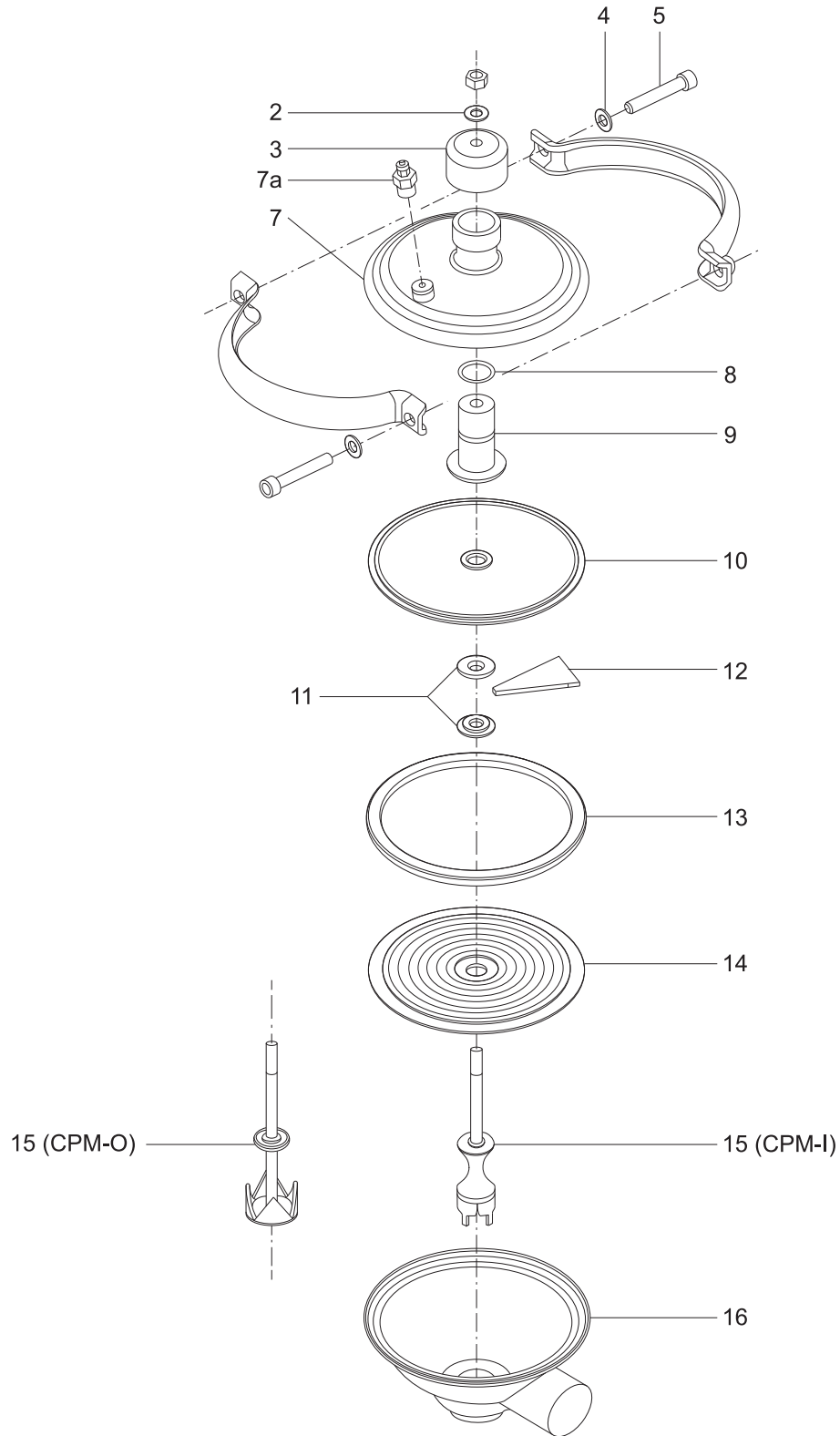
1.9

Service kit.

Upper NBR and lower EPDM/PTFE, NBR O-ring	9611920218	9611920218	9611920218	9611920218
Upper and lower PTFE, FPM O-ring	9611920515	9611920515	9611920515	9611920515
Upper and lower EPDM/PTFE, FPM O-ring	9611920516	9611920516	9611920516	9611920516
Upper PTFE and lower EPDM/PTFE, FPM O-ring	9611920517	9611920517	9611920517	9611920517

Parts marked with □ are included in Service kit.
Recommended spare parts: Service kit.

1.9



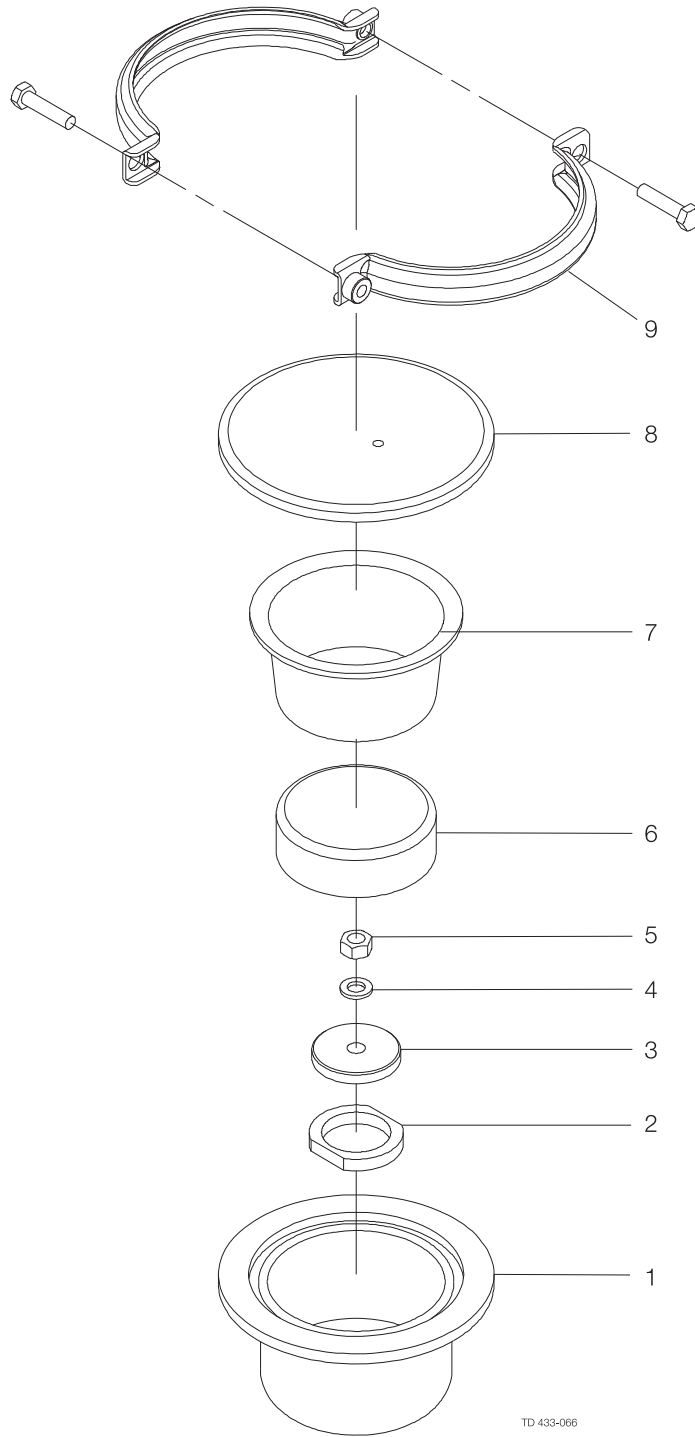
Pos	Qty	Denomination	CPMI-2-Kv23	CPMO-2-Kv23	CPMI-2-Kv2/15	CPMO-2-Kv2/15
1	1	Nut	22189115	22189115	22189115	22189115
2	1	Washer	9611995850	9611995850	9611995850	9611995850
3	1	Top	3135600034	3135600034	3135600034	3135600034
4	2	Washer	9611990786	9611990786	9611990786	9611990786
5	2	Screw	9611991222	9611991222	9611991222	9611991222
6	2	Clamp	9612335201	9612335201	9612335201	9612335201
7	1	Cover	3135600671	3135600671	3135600671	3135600671
7a	1	Air Fitting	9634081652	9634081652	9634081652	9634081652
8	□	O-ring, NBR (standard)	22340649	22340649	22340649	22340649
	1	O-ring, FPM	9611992253	9611992253	9611992253	9611992253
9	1	Guide	3135600722	3135600722	3135600722	3135600722
10	□	Upper diaphragm, NBR (standard)	3135600142	3135600142	3135600142	3135600142
	1	Upper diaphragm, EPDM/PTFE	3135600144	3135600144	3135600144	3135600144
	1	Upper diaphragm, PTFE	9612305702	9612305702	9612305702	9612305702
11	2	Inner ring	3135600631	3135600631	3135600631	3135600631
12	12	Support sector	3135600621	3135600621	3135600621	3135600621
13	1	Outer ring	9612305801	9612305801	9612305801	9612305801
14	□	Lower diaphragm, EPDM/PTFE (standard)	9612306601	9612306601	9612306601	9612306601
	1	Lower diaphragm, PTFE	9612305701	9612305701	9612305701	9612305701
15	1	Valve plug, Kv23	9612305901	9612306001		
	1	Valve plug, Kv2/15			9612306101	9612306201
	1	Valve plug, Kv7			9612468701	
	1	Valve plug, Kv9				961246250
	1	Valve plugg KV31	Contact Alfa	Contact Alfa	Contact Alfa	Contact Alfa
			Laval	Laval	Laval	Laval
16	1	Valve body, ISO	9612334001	9612334101	9612334201	9612334201
	1	Valve body, Weld (GC clamp body)	Contact Alfa	Contact Alfa	Contact Alfa	Contact Alfa
			Laval	Laval	Laval	Laval

1.9

Parts marked with □ are included in the service kits.

		CPMI-2-Kv23	CPMO-2-Kv23	CPMI-2-Kv2/15	CPMO-2-Kv2/15
□	Service kit Upper NBR and lower EPDM/PTFE, NBR O-ring	9611920218	9611920218	9611920218	9611920218
□	Service kit Upper and lower PTFE, FPM O-ring	9611920215	9611920215	9611920215	9611920215
□	Service kit Upper and lower EPDM/PTFE, FPM O-ring	9611920216	9611920216	9611920216	9611920216
□	Service kit Upper PTFE and lower EPDM/PTFE, FPM O-ring	9611920217	9611920217	9611920217	9611920217

1.9



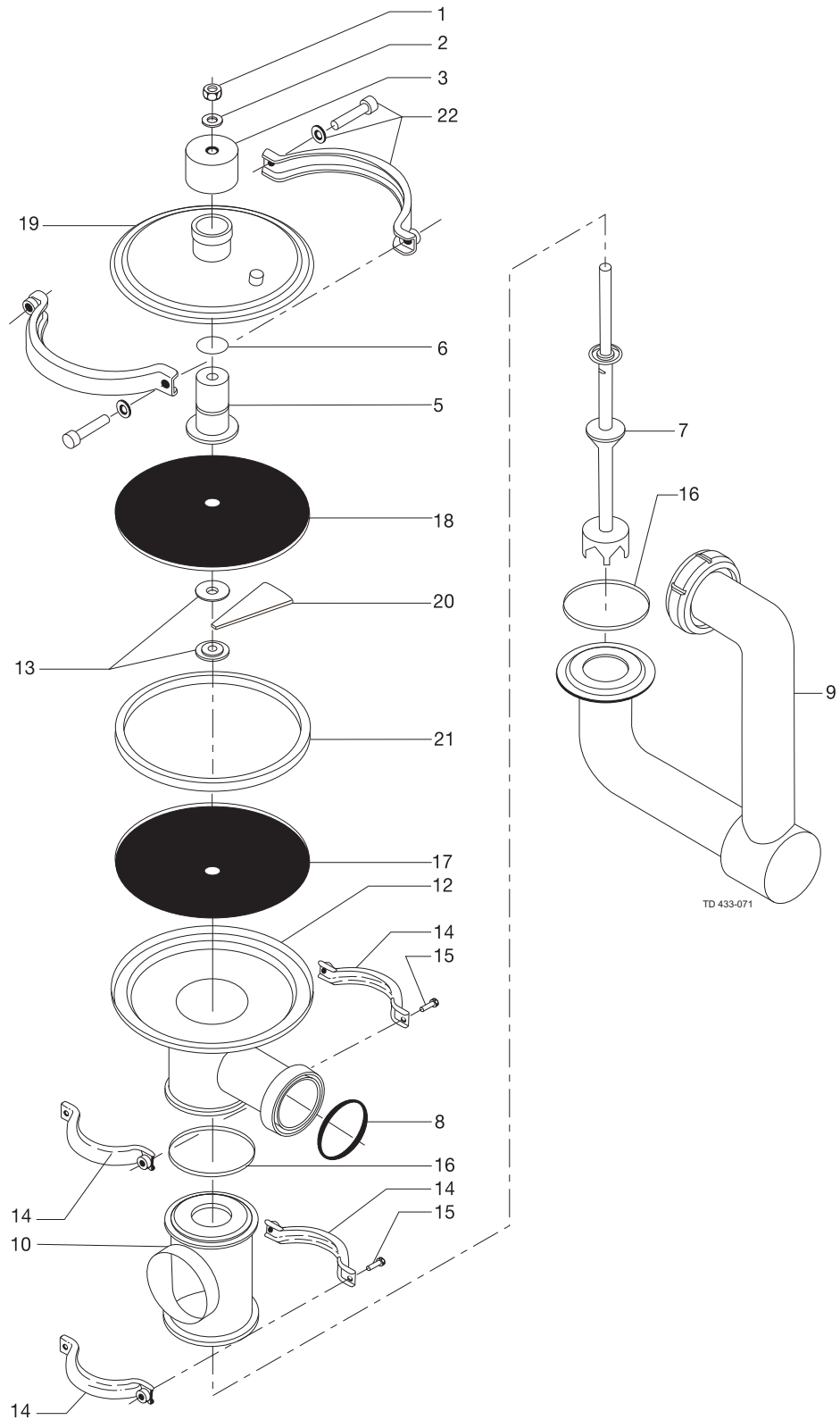
TD 433-066

Pos	Qty	Denomination	313560901
1	1	Booster housing	3135600891
2	1	Lock nut	3135600951
3	1	Washer	3135600841
4	1	Spring washer	9611991887
5	1	Nut	22180329
6	1	Booster piston	3135600851
7	1	Diaphragm	3135600941
8	1	Booster cover	3135600861
9	1	Clamps and screws	9611311057

Recommended spare parts: Pos. 7

900-127/0

1.9



Pos	Qty	Denomination	
1	1	Nut	22189115
2	1	Washer	9611995850
3	1	Top	3135600031
5	1	Guide	3135600721
6	□	O-ring	22340649
7	1	Plug	3135600061
8	□	Seal ring, EPDM (std.)	3131703785
	1	Seal ring, NBR	190604
	1	Seal ring, FPM	3131703782
9	1	Inlet tube	3135600731
10	1	Valve body, lower	3135600181
12	1	Valve body	3135600752
13	2	Inner ring	3135600631
14+15	2	Clamps and screws (Period 9209-)	3132000273
14	4	Clamp half (Period -9209)	3132000221
15	4	Screw (Period -9209)	221093618
16	□	2 Valve body seal ring, EPDM (std.)	3135301281
	2	Valve body seal ring, NBR	3135301282
17	□	1 Diaphragm, PTFE covered EPDM (std.) (product side)	3135600144
18	□	1 Diaphragm, NBR (air side), Blue dot	3135600142
	1	Diaphragm, PTFE covered EPDM	3135600144
19	1	Cover	3135600671
20	12	Support sector	3135600621
21	1	Outer ring	3135600641
22	1	Clamp, set (Period 9310-)	9611920219
	2	Clamp, half (Period 8209-9310)	3135600611
	2	Screw (Period 8209-9310)	22104106

1.9

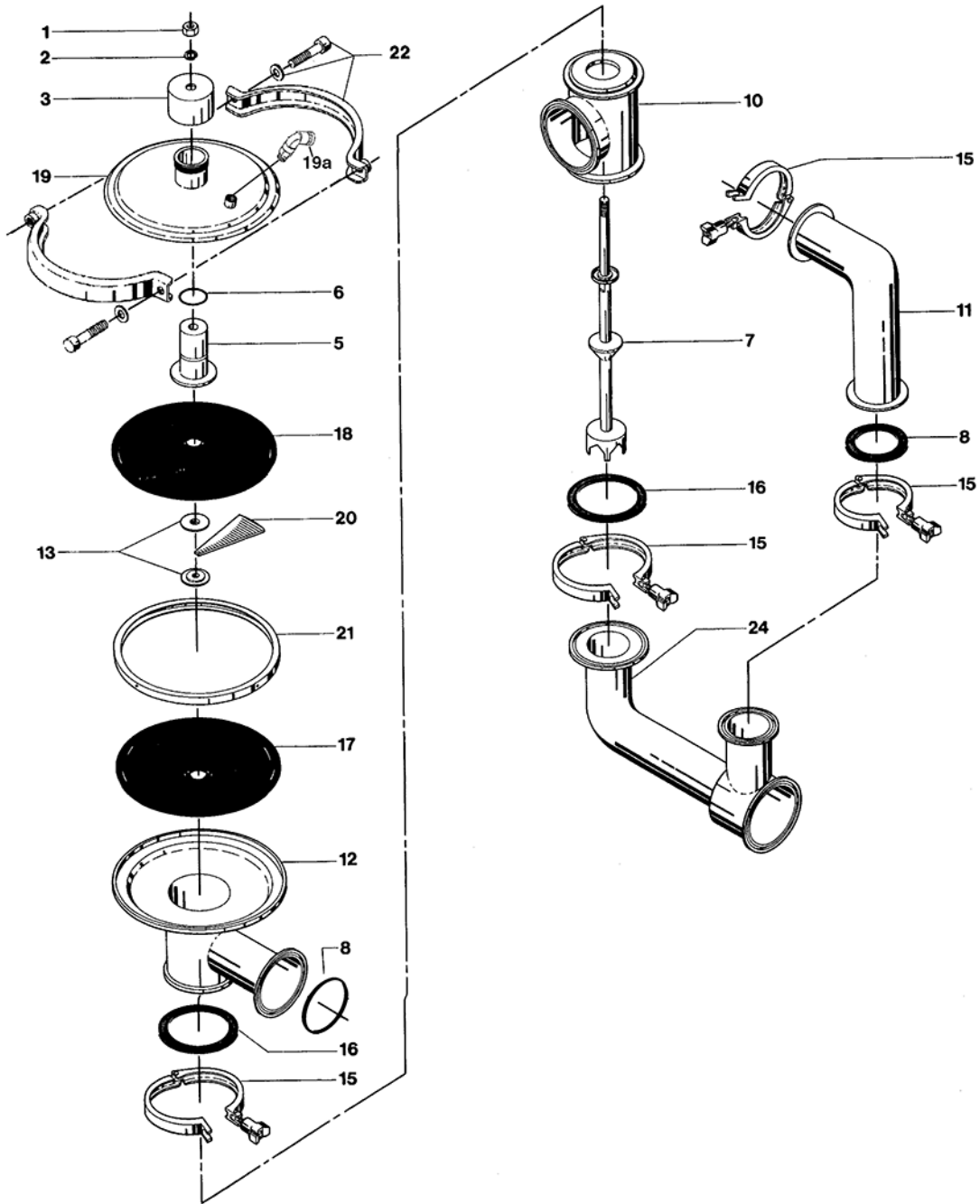
Product wetted parts

- **Service kit** **9611920119**

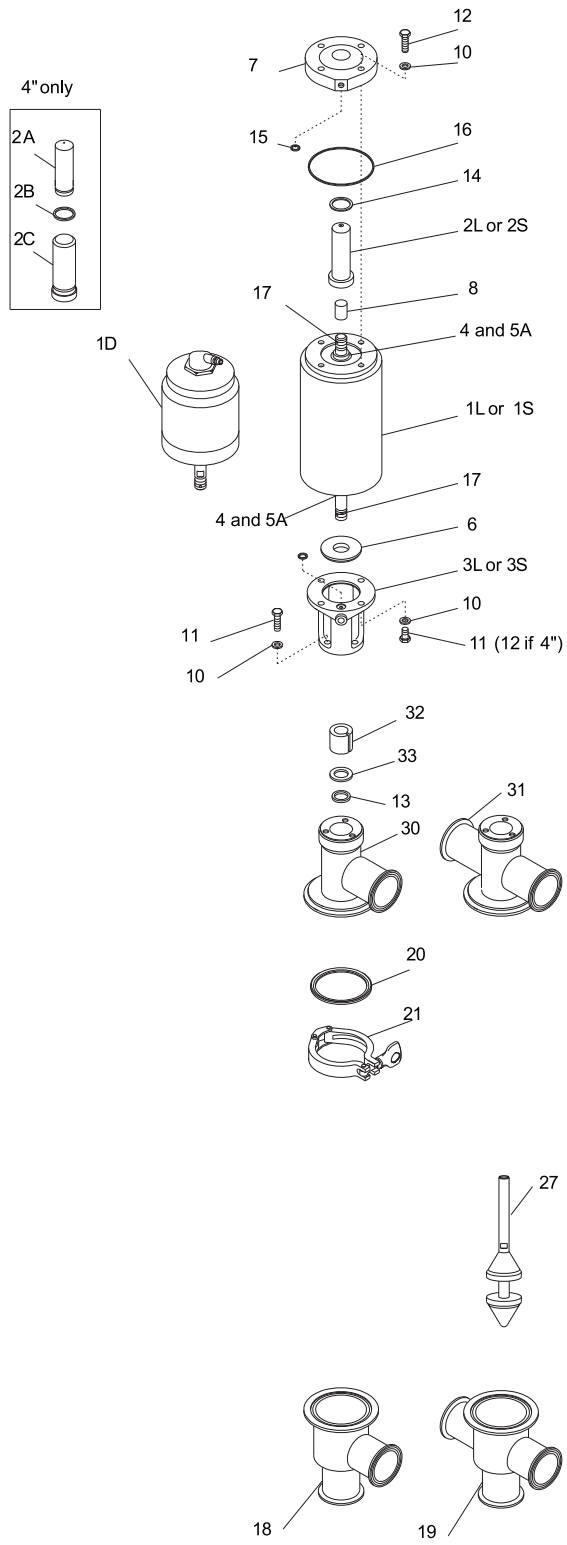
Parts marked with □ are included in Service kit.

Recommended spare parts: Service kit.

1.9

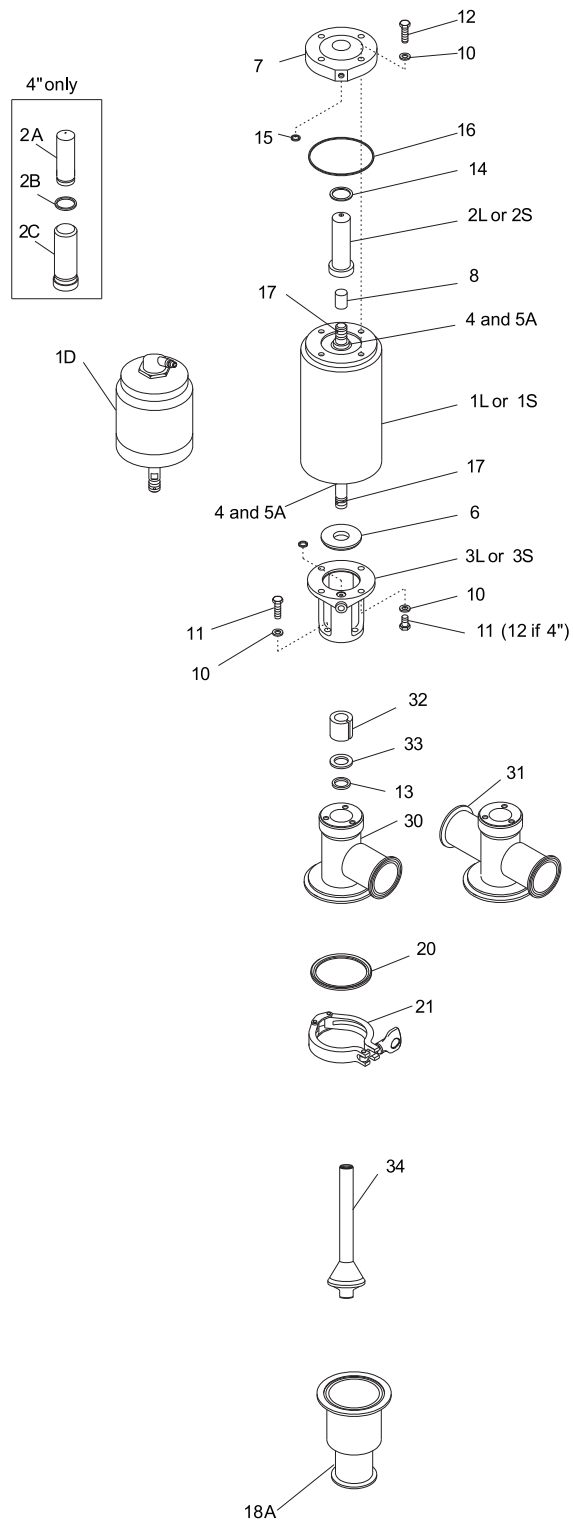


Pos	Qty	Denomination	
1	1	Nut	22189115
2	1	Washer	9611991887
3	1	Top	3135600031
5	1	Guide	3135600721
6	□	O-ring	22340649
7	1	Plug	3135600062
8	□	Seal ring, EPDM (standard)	88121347
	2	Seal ring, EPDM (US version)	290043
	2	Seal ring, NBR	88130219
	2	Seal ring, FPM	88110130
9	1	Inlet tube	NA
10	1	Valve body lower, GC Polished	NA
11	2	Inner ring	3135600631
12	1	Valve body, GC Polished	NA
14	1	Heavy duty clamp	9612011202
15	3	Heavy duty clamp	9612011204
16	□	Valve body seal ring, EPDM (standard)	3135301281
	2	Valve body seal ring, NBR	3135301282
17	□	Diaphragm, PTFE covered EPDM (standard) (product side)	3135600144
18	□	Diaphragm, NBR (air side), blue dot	3135600142
	1	Diaphragm, PTFE covered EPDM	3135600144
19	1	Cover	3135600671
19a	1	Air fitting	88139750
20	12	Support sector	3135600621
21	1	Outer ring	3135600641
22	1	Clamp set (period 9310-)	9611920219
<hr/>			
□		Service kit for US CPM-1-60	9636000179
		Air regulating kit	884398560



Pos	Qty	Denomination	1 1/2"	2"	2 1/2"	3"	4"
1D	1	Diaphragm actuator	750397	750397	750397	750397	
1S	1	10/20 actuator, short	750318	750318	750318	750318	N/A
2S	1	Stem protector,short	750583	750583	750583	750583	N/A
3S	1	Yoke, short	750224	750224	750224	750224	N/A
4	2	Seal retainer	751680	751680	751680	751680	751680
5	2	Vee packing	755461	755461	755461	755461	755461
5A	2	O-ring to replace v-packing	751232	751232	751232	751232	751232
6	1	Packing retainer	751659	751659	751659	751659	751659
7	1	End cap	751682	751682	751682	751682	751010
8	1	Red caplug	750568	750568	750568	750568	750568
9	11	Vent plug (not shown)	181256	181256	181256	181256	181256
10	7	Lockwasher	189962	189962	189962	189962	189962
11	4	Screw	189773	189773	189773	189773	189798
12	1	Screw	189723	189723	189723	189723	189723
13	1	O-ring stem BUNA	755370	755370	755370	755370	755452
	1	O-ring stem EPDM	750132	750132	750132	750132	751956
	1	O-ring stem SFY	750077	750077	750077	750077	751957
14	2	O-ring	755356	755356	755356	755356	755356
15	1	O-ring	755388	755388	755388	755388	755388
16	1	O-ring	755472	755472	755472	755472	755472
17	1	Nylon lock pin	750338	750338	750338	750338	750338
18	1	Body lower 2 ports clamp	770106	770107	770111	770116	770300
	2	Body lower 2 ports weld	771004	770824	770784	770833	772221
19	1	Body lower 3 ports clamp	770269	770273	770275	770279	770965
	1	Body lower 3 ports weld	771059	770464	770815	770814	772672
20	1	Body gasket BUNA	750376	750376	750385	750391	755421
	1	Body gasket EPDM	750383	750383	750390	750400	751799
	1	Body gasket SFY	750382	750382	750389	750398	750209
21	1	Clamp	270266	270266	270267	212211	212209
27	1	Valve plug	770455	771587	771293	771576	
30	1	Body upper 2 ports clamp	770119	770120	770121	770122	771510
	1	Body upper 2 ports weld	771156	770827	770115	771155	771513
31	1	Body upper 3 ports clamp	770304	770307	770308	770309	771715
	1	Body upper 3 ports weld	770869	771296	771651	771184	771818
32	1	Stem bushing	763362	763362	763362	763362	762528
33	1	Seal retaining washer	750361	750361	750361	750361	750361
			1 1/2"	2"	2 1/2"	3"	4"
		Service Kit Buna	9613990327	9613990327	9613990508	9613990330	9613990333
		Service Kit EPDM	9613990328	9613990328	9613990509	9613990331	9613990334
		Service Kit SFY	9613990329	9613990329	9613990510	9613990332	9613990335

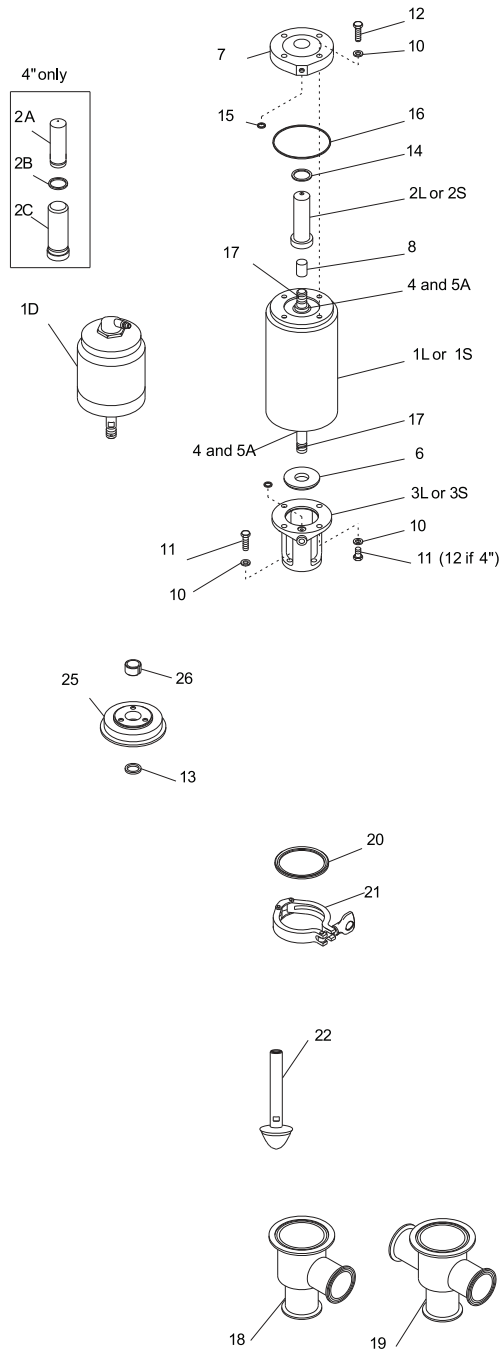
1.9



Pos	Qty	Denomination	1 1/2"	2"	2 1/2"	3"	4"
1D	1	Diaphragm actuator	750397	750397	750397	750397	
1S	1	10/20 actuator, shor	750318	750318	750318	750318	N/A
2S	1	Stem protector,short	750583	750583	750583	750583	N/A
3S	1	Yoke,short	750224	750224	750224	750224	N/A
4	2	Seal retainer	751680	751680	751680	751680	751680
5	2	Vee packing	755461	755461	755461	755461	755461
5A	2	O-ring to replace v-packing	751232	751232	751232	751232	751232
6	1	Packing retainer	751659	751659	751659	751659	751659
7	1	End cap	751682	751682	751682	751682	751010
8	1	Red caplug	750568	750568	750568	750568	750568
9	1	Vent plug (not shown)	181256	181256	181256	181256	181256
10	11	Lockwasher	189962	189962	189962	189962	189962
11	7	Screw	189773	189773	189773	189773	189798
12	4	Screw	189723	189723	189723	189723	189723
13	1	O-ring stem BUNA	755370	755370	755370	755370	755452
	1	O-ring stem EPDM	750132	750132	750132	750132	751956
	1	O-ring stem SFY	750077	750077	750077	750077	751957
14	1	O-ring	755356	755356	755356	755356	755356
15	2	O-ring	755388	755388	755388	755388	755388
16	1	O-ring	755472	755472	755472	755472	755472
17	1	Nylon lock pin	750338	750338	750338	750338	750338
18A	1	Body lower 2 ports clamp	770428	770056	701110	700013	-----
	1	Body lower 2 ports weld		771297	318491	771611	
20	1	Body gasket BUNA	750376	750376	750385	750391	755421
	1	Body gasket EPDM	750383	750383	750390	750400	751799
	1	Body gasket SFY	750382	750382	750389	750398	750209
21	1	Clamp	270266	270266	270267	212211	212209
30	1	Body upper 2 ports clamp	770119	770120	770121	770122	771510
	1	Body upper 2 ports weld	771156	770827	770115	771155	771513
31	1	Body upper 3 ports clamp	770304	770307	770308	770309	771715
	1	Body upper 3 ports weld	770869	771296	771651	771184	771818
32	1	Stem bushing	763362	763362	763362	763362	762528
33	1	Seal retaining washer	750361	750361	750361	750361	751960
34	1	Valve plug	771154	771154	772403	770992	
			1 1/2"	2"	2 1/2"	3"	4"
	<input type="checkbox"/>	Service Kit Buna	9613990327	9613990327	9613990508	9613990330	9613990333
	<input type="checkbox"/>	Service Kit EPDM	9613990328	9613990328	9613990509	9613990331	9613990334
	<input type="checkbox"/>	Service Kit SFY	9613990329	9613990329	9613990510	9613990332	9613990335

1.9

1.9

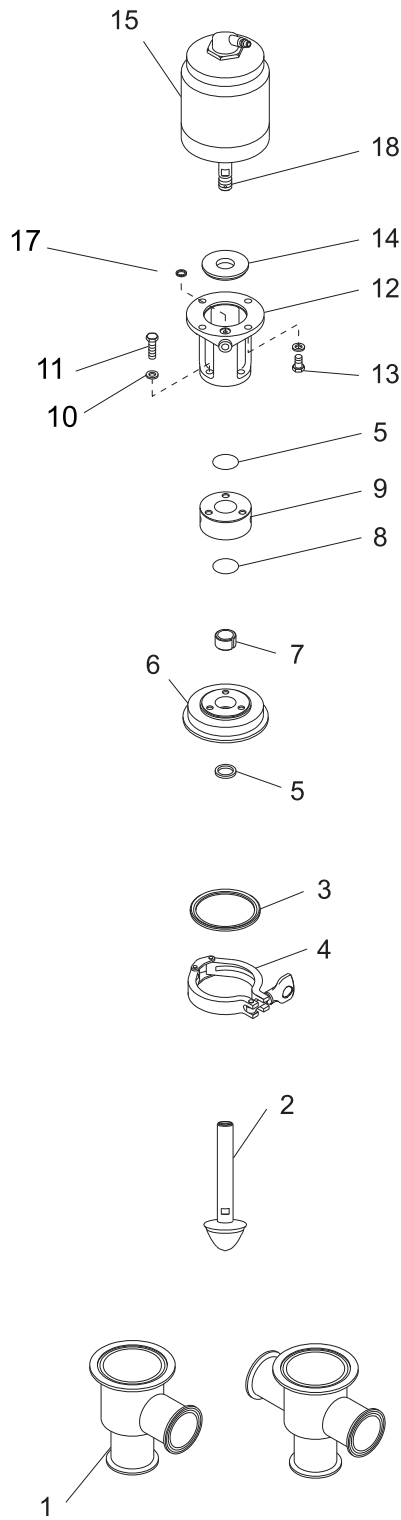


Pos	Qty	Denomination	1"	1 1/2"	2"	2 1/2"	3"	4"
1D	1	Diaphragm actuator 15	750197	750397	750397	750397	750397	
1S	1	Actuator 10/20	750887	750318	750318	750318	750318	N/A
	1	Actuator 14d	751824	751607	751607	751607	751607	
2S	1	Stem protector,short	750583	750583	750583	750583	750583	N/A
3S	1	Yoke,short	750224	750224	750224	750224	750224	N/A
4	2	Seal retainer	751680	751680	751680	751680	751680	751680
5	□	2 Vee packing	755461	755461	755461	755461	755461	755461
5A	2	O-ring to replace v-packing	751232	751232	751232	751232	751232	751232
6	□	1 Packing retainer	751659	751659	751659	751659	751659	751659
7	1	End cap	751682	751682	751682	751682	751682	751010
8	1	Red caplug	750568	750568	750568	750568	750568	750568
9	1	Vent plug (not shown)	181256	181256	181256	181256	181256	181256
10	11	Lockwasher	189962	189962	189962	189962	189962	189962
11	7	Screw	189773	189773	189773	189773	189773	189798
12	4	Screw	189723	189723	189723	189723	189723	189723
13	□	1 O-ring stem BUNA	755357	755370	755370	755370	755370	755452
	□	1 O-ring stem EPDM	750037	750132	750132	750132	750132	751956
	□	1 O-ring stem SFY	750173	750077	750077	750077	750077	751957
14	1	O-ring	755356	755356	755356	755356	755356	755356
15	□	2 O-ring	755388	755388	755388	755388	755388	755388
16	1	O-ring	755472	755472	755472	755472	755472	755472
17	□	1 Nylon lock pi	750292	750338	750338	750338	750338	750338
18	1	Body lower 2 ports clamp	771196	770106	770107	770111	770116	770300
	1	Body lower 2 ports weld	772330	771004	770824	770784	770833	772221
19	2	Body lower 3 ports clamp	778354	770269	770273	770275	770279	770965
	1	Body lower 3 ports weld	772330	771059	770464	770815	770814	772672
20	□	1 Body gasket BUNA	290285	750376	750376	750385	750391	755421
	□	1 Body gasket EPDM	290105	750383	750383	750390	750400	751799
	□	1 Body gasket SFY	290023	750382	750382	750389	750398	750209
21	1	Clamp	212196	270266	270266	270267	212211	212209
22S	1	Stem assembly 10/20/24p	771076	770228	770310	771250	771490	772592
	1	Stem assembly 15/14d	770091	770276	770048	7700027	770097	
	1	Stem assembly 14p	771267	770228	770310	771250	771490	
	1	Special Taper	Contact Alfa	Contact Alfa	Contact Alfa	Contact Alfa	Contact Alfa	Contact Alfa
			Laval	Laval	Laval	Laval	Laval	Laval
25	1	Bonnet	750186	750514	750514	751686	751687	751899
26	□	1 Stem bushing	760277	763361	763361	763361	763361	762507
	1	Positioner & adapter 14p	760656	760031	760031	760031	760031	
	1	Positioner & adapter 24p	761789	760032	760032	760032	760032	

Parts marked with □ are included in the service kits.

Recommended spare parts: Service kits.

		1"	1 1/2"	2"	2 1/2"	3"	4"
□	Service Kit Buna	9613990336	9613990339	9613990342	9613990345	9613990348	9613990351
□	Service Kit EPDM	9613990337	9613990340	9613990343	9613990346	9613990349	9613990352
□	Service Kit SFY	9613990338	9613990341	9613990344	9613990347	9613990350	9613990353



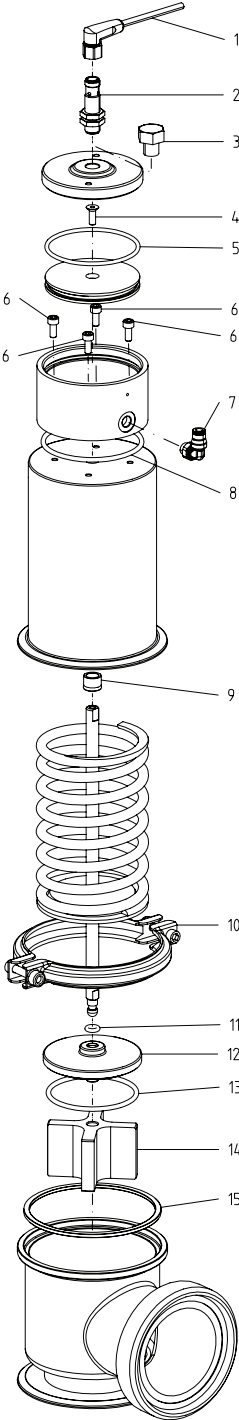
Pos	Qty	Denomination	1 1/2"	2"	2 1/2"	3"
1	1	Body, 10 tee type	770106	770107	770111	770116
	1	Body, 30 cross type	770269	770273	770275	770279
2	1	Stem-Throttling (871)	770752	772755	772555	772754
3	□	Body Gasket, SFY	750382	750382	750389	750398
	♦	Body Gasket, EPDM	EPDM	750383	750390	750400
4	1	Clamp	270266	270266	270267	212211
5	□	Stem O ring, SFY	750077	750077	750077	750077
	♦	Stem O ring, EPDM	750132	750132	750132	750132
6	1	Bonnet	750514	750514	751686	751687
7	□♦	Roulon Stem Bushing	761578	761578	761578	761578
8	□	O ring, SFY	751496	751496	751496	751496
	♦	O ring, EPDM	9634048098	9634048098	9634048098	9634048098
9	1	Spacer	751488	751488	751488	751488
10	7	Lockwasher	189962	189962	189962	189962
11	3	Screw	180472	180472	180472	180472
12	1	Yoke	750224	750224	750224	750224
13	4	Screw	189773	189773	189773	189773
14	1	Packing Retainer	751659	751659	751659	751659
15	1	Actuator	750397	750397	750397	750397
16	1	Vent Plug	181256	181256	181256	181256
17	□♦	O ring	755388	755388	755388	755388
18	1	Nylon Lock Pin	750338	750338	750338	750338

1.9

Parts marked with □♦ are included in the service kits.

		1 1/2"	2"	2 1/2"	3"
□	SFY Service Kit	9613990659	9613990659	9613990660	9613990661
♦	EPDM Service Kit	9613990656	9613990656	9613990657	9613990658

1.9



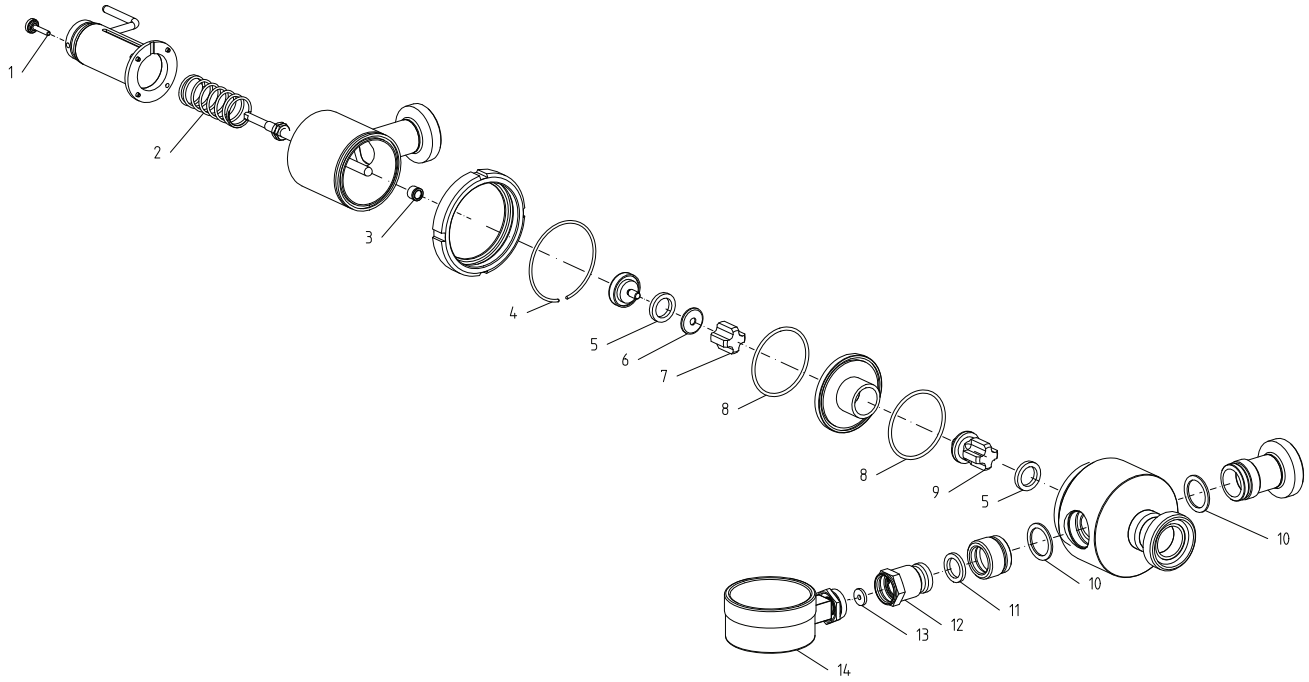
Pos	Qty	Denomination	51mm	76,1mm
1	1	Sensor cable 5m	9611995205	9611995205
2	1	Sensor	9611995744	9611995744
3	1	Plug	9615074401	9615074401
4	1	Screw	9611995730	9611995730
5	♦	O-ring, NBR		
6	4	Screw	9611991930	9611991930
7	1	Air fitting	9611991988	9611991988
8	♦	O-ring, NBR		
9	□	Variseal		
10	1	Clamp ring	3132000273	3132000272
11	□	O-ring, EPDM		
12	1	Disc top	9615136901	9615128301
13	□	O-ring, EPDM		
14	1	Disc tail	9615128402	9615128401
15	□	Seal ring, EPDM		
			51mm	76,1mm

Service Kits for CO2 House, 51 - 76,1mm

□	CO2 House service kit	9615151101	9615151102
♦	Force opener service kit	9615151201	9615151201

Parts marked with □♦ are included in the service kits.

1.9



Pos	Qty	Denomination	25mm	38mm
1	1	Thumb screw	9615144401	9615144402
2	1	Pressure Spring, 0-1 bar	9615106601	9615107401
	1	Pressure Spring, 0-2 bar	9615106602	9615107402
	1	Pressure Spring, 0-3 bar	9615106603	9615107403
	2	Pressure Spring, 0-4 bar	9615106604	9615107404
3	□♦	Variseal		
4	1	Locking ring	9615097501	9615099801
5	□	Gasket, Q		
	♦	Gasket, EPDM		
6	1	Washer for gasket	9615096501	9615103201
7	1	Guide fin	9615096601	9615103301
8	□♦	O-ring, EPDM		
9	1	Pressure body	9615098601	9615100801
10	□♦	Gasket, PTFE		
11	□♦	Gasket, EPDM		
12	1	Safety valve for pressure gauge, 1.6 bar		
	1	Safety valve for pressure gauge, 2.5 bar		
	1	Safety valve for pressure gauge, 4 bar		
	1	Safety valve for pressure gauge, 6 bar		
13	□♦	Gasket, PUR		
14	1	Pressure gauge, 1.6 bar, inlet 3 o'clock	9615142201	9615142201
	1	Pressure gauge, 2.5 bar, inlet 3 o'clock	9615142202	9615142202
	1	Pressure gauge, 4.0 bar, inlet 3 o'clock	9615142203	9615142203
	1	Pressure gauge, 6.0 bar, inlet 3 o'clock	9615142204	9615142204
	1	Pressure gauge, 1.6 bar, inlet 9 o'clock	9615142205	9615142205
	1	Pressure gauge, 2.5 bar, inlet 9 o'clock	9615142206	9615142206
	1	Pressure gauge, 4.0 bar, inlet 9 o'clock	9615142207	9615142207
	1	Pressure gauge, 6.0 bar, inlet 9 o'clock	9615142208	9615142208
	1	Pressure gauge, 1.6 bar, inlet 12 o'clock	9615142209	9615142209
	1	Pressure gauge, 2.5 bar, inlet 12 o'clock	9615142210	9615142210
	1	Pressure gauge, 4.0 bar, inlet 12 o'clock	9615142211	9615142211
	1	Pressure gauge, 6.0 bar, inlet 12 o'clock	9615142212	9615142212

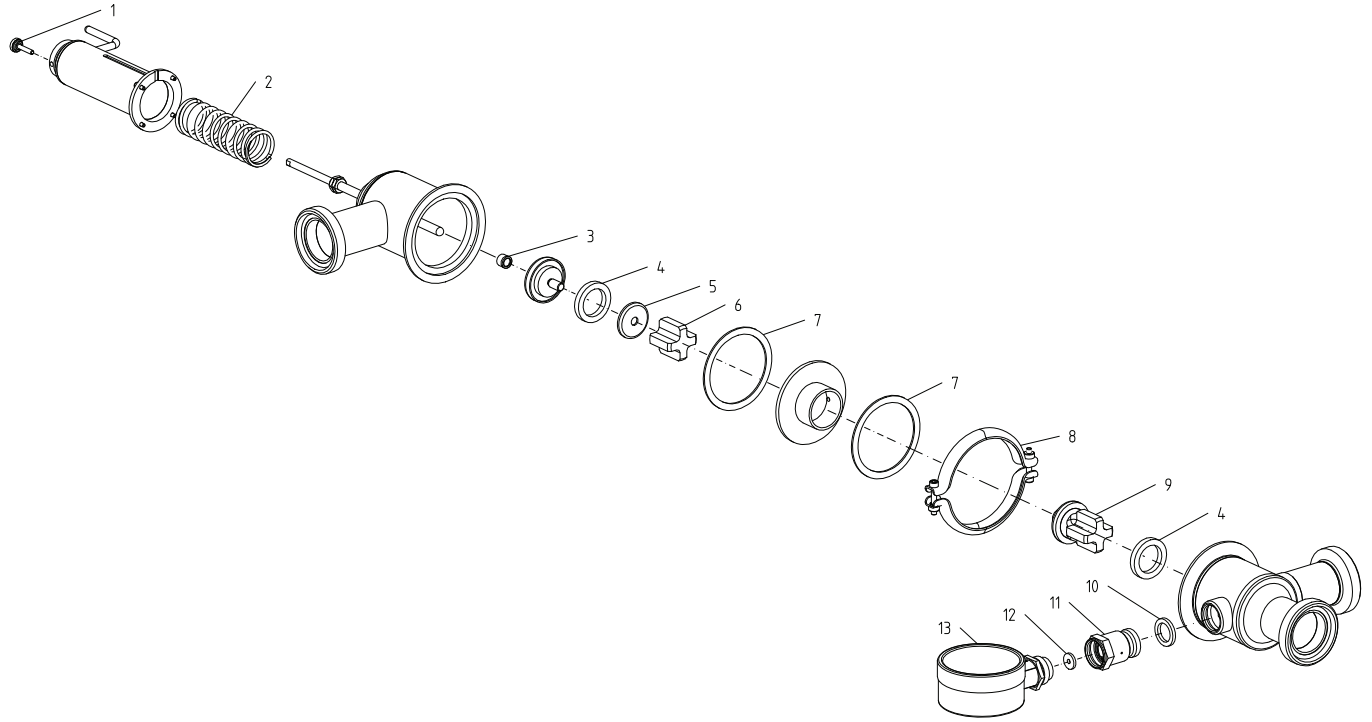
25mm 38mm

Service kits for 25mm - 38mm

♦	Service kit, EPDM Pressure > 1.0 bar	9611924322	9611924324
□	Service kit, Q Pressure ≤ 1.0 bar	9611924321	9611924323

Parts marked with □♦ are included in the service kits.

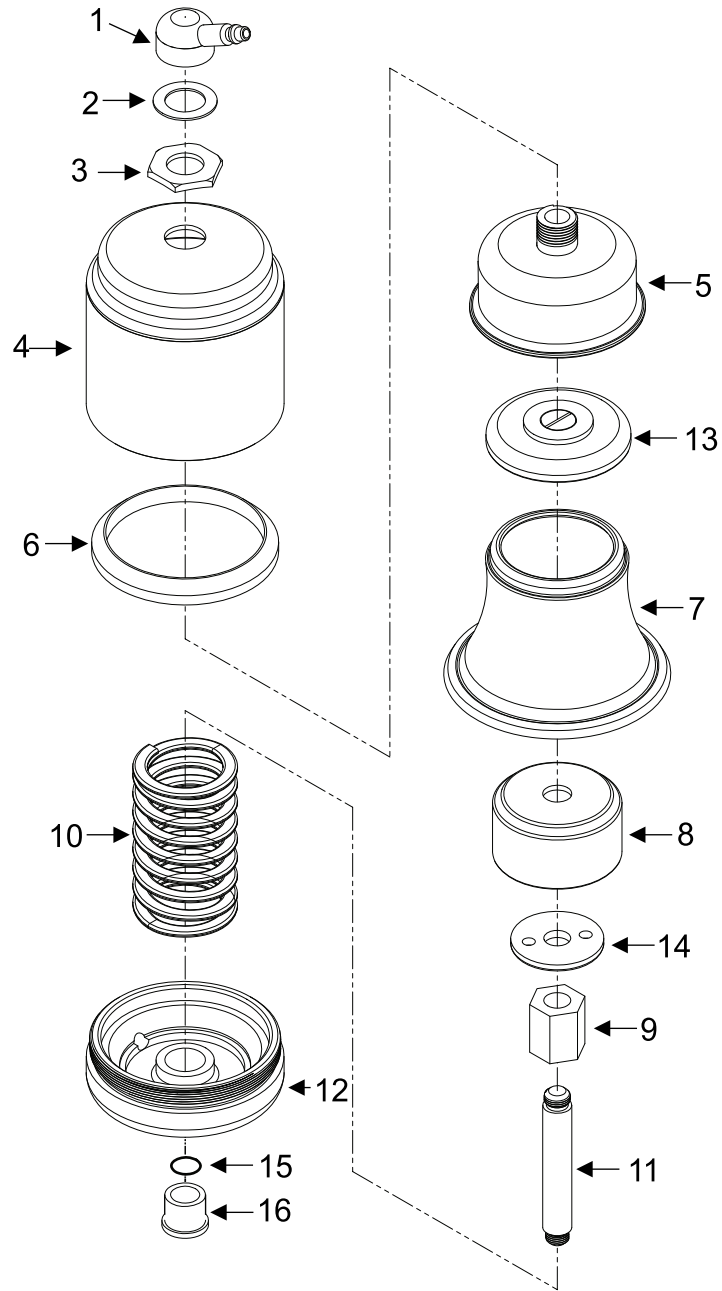
1.9



Pos	Qty	Denomination	51mm	76,1mm
1	1	Thumb screw	9615144402	9615144402
2	1	Pressure Spring, 0-1 bar	9615108201	9615111601
	1	Pressure Spring, 0-2 bar	9615108202	9615111602
	1	Pressure Spring, 0-3 bar	9615108203	9615111603
	1	Pressure Spring, 0-4 bar	9615108204	9615111604
3	□♦	Variseal		
4	□	Gasket, Q		
	♦	Gasket, EPDM		
5	1	Washer for gasket	9615106101	9615112101
6	1	Guide fin	9615106201	9615112201
7	□♦	Gasket, NBR		
8	1	Clamp ring	9611311055	9611311056
9	1	Pressure body	9615106001	9615112001
10	□♦	Gasket, EPDM, EPDM		
11	1	Safety valve for pressure gauge, 1.6 bar	9615096001	9615096001
	1	Safety valve for pressure gauge, 2.5 bar	9615096002	9615096002
	1	Safety valve for pressure gauge, 4 bar	9615096003	9615096003
	1	Safety valve for pressure gauge, 6 bar	9615096004	9615096004
12	□♦	Gasket, PUR		
13	1	Pressure gauge, 1.6 bar, inlet 3 o'clock	9615142201	9615142201
	1	Pressure gauge, 2.5 bar, inlet 3 o'clock	9615142202	9615142202
	1	Pressure gauge, 4.0 bar, inlet 3 o'clock	9615142203	9615142203
	1	Pressure gauge, 6.0 bar, inlet 3 o'clock	9615142204	9615142204
	1	Pressure gauge, 1.6 bar, inlet 9 o'clock	9615142205	9615142205
	1	Pressure gauge, 2.5 bar, inlet 9 o'clock	9615142206	9615142206
	1	Pressure gauge, 4.0 bar, inlet 9 o'clock	9615142207	9615142207
	1	Pressure gauge, 6.0 bar, inlet 9 o'clock	9615142208	9615142208
	1	Pressure gauge, 1.6 bar, inlet 12 o'clock	9615142209	9615142209
	1	Pressure gauge, 2.5 bar, inlet 12 o'clock	9615142210	9615142210
	1	Pressure gauge, 4.0 bar, inlet 12 o'clock	9615142211	9615142211
	1	Pressure gauge, 6.0 bar, inlet 12 o'clock	9615142212	9615142212
			51mm	76,1mm
Service kits for 51mm - 76,1mm				
♦		Service kit, EPDM Pressure > 1.0 bar	9611924326	9611924328
□		Service kit, Q Pressure ≤ 1.0 bar	9611924325	9611924327

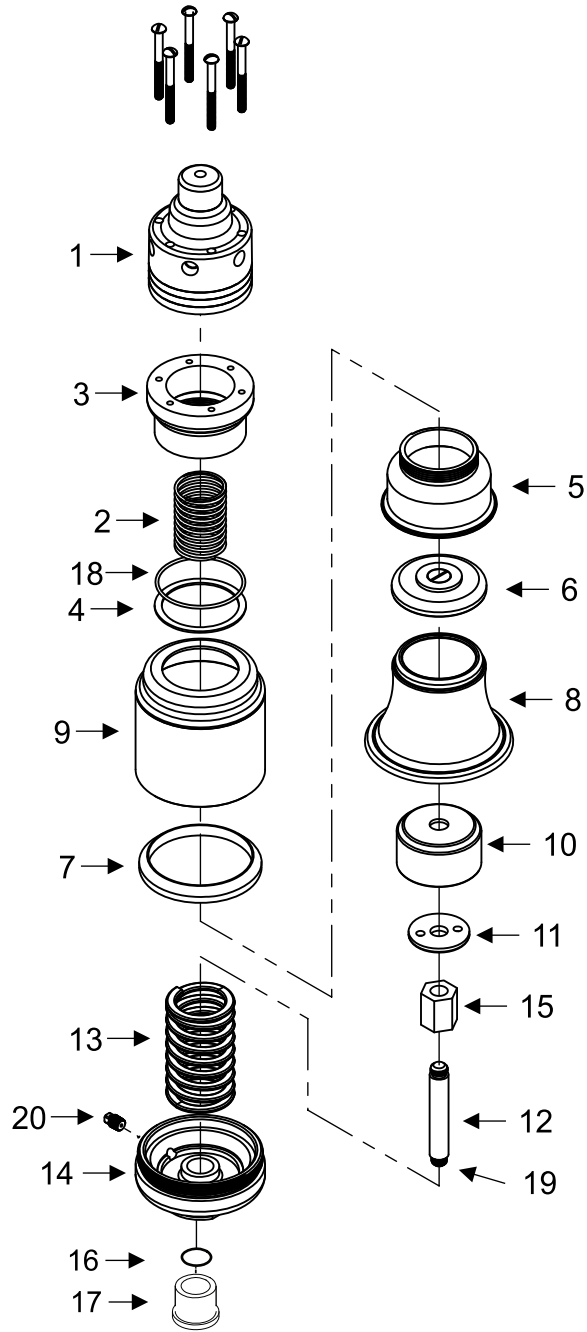
Parts marked with □♦ are included in the service kits.

1.9



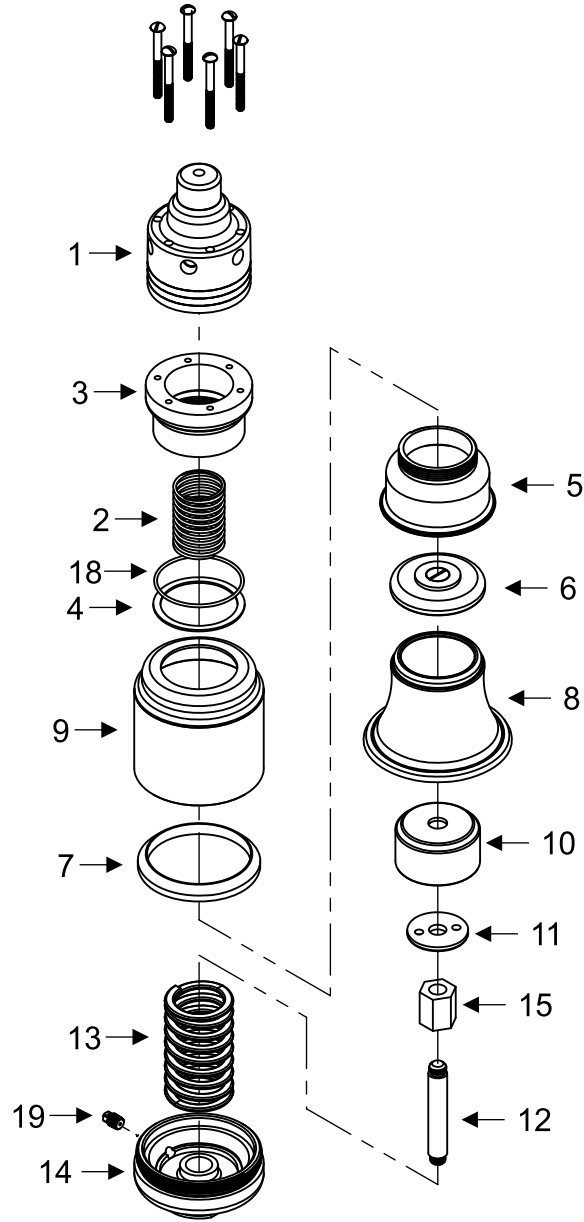
Pos	Qty	Denomination	
1	1	Coupler	764249
2	□	Gasket	755451
3	1	Sealing nut	754328
4	1	Cylinder	750032
5	1	Outer diaphragm clamp	763805
6	1	Body insert	764088
7	□	Diaphragm	763501
8	1	Inner diaphragm clamp	763753
9	1	Adapter	764089
10	1	Spring	750752
11	1	Stem	770737
12	1	Bonnet	751044
13	1	Diaphragm guide	763765
14	1	Nut	754265
15	□	Packing	755461
16	□	Seal retainer	751680
<hr/>			
□		Service Kit	9613990170

1.9



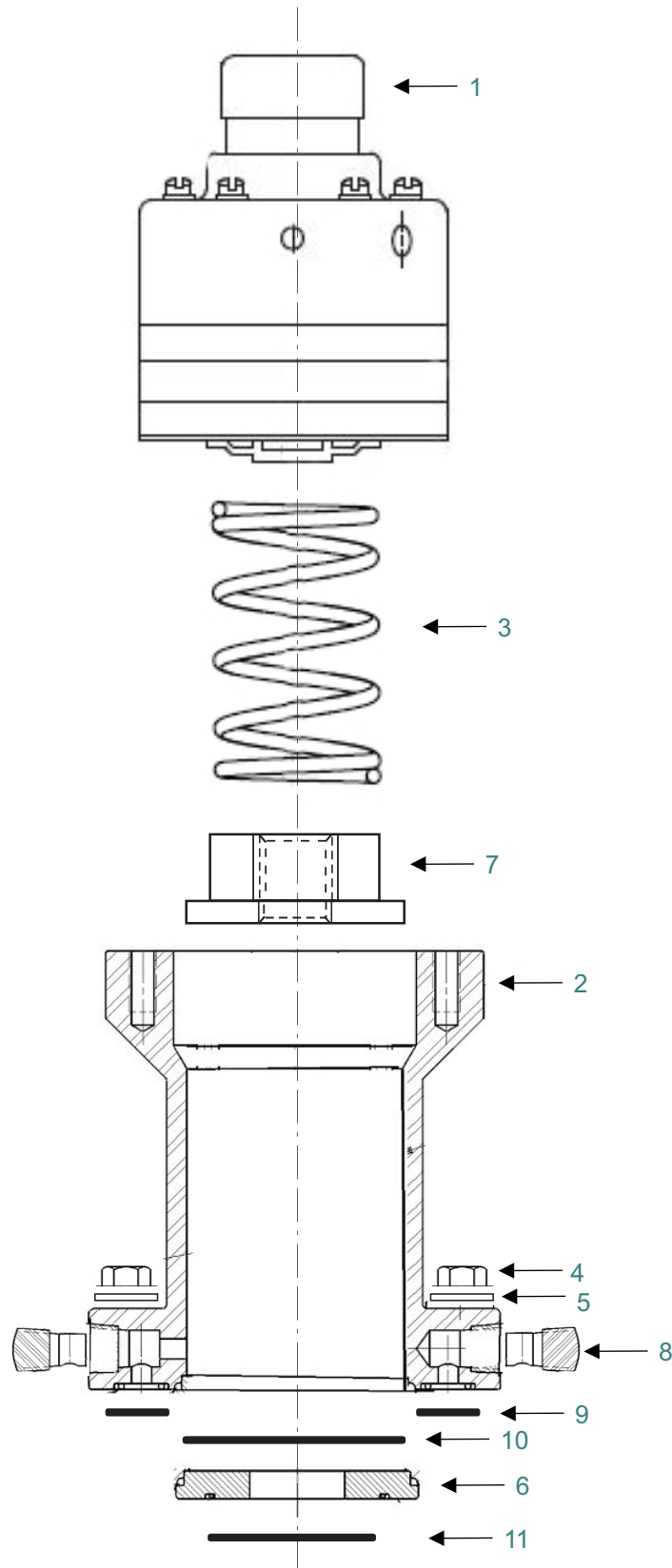
Pos	Qty	Denomination	
1	1	Moore Positioner	769498
2	1	Range Spring	750998
3	1	Mounting Adapter	764078
4	1	Gasket	755549
5	1	Outer Diaphragm Clamp	763795
6	1	Inner Diaphragm Clamp	763794
7	1	Body Insert	764088
8	1	Diaphragm	763501
9	1	Actuator Cylinder	771543
10	1	Inner Diaphragm Guide	763753
11	1	Nut	754265
12	1	Stem	770737
13	1	Spring	750752
14	1	Bonnet	751044
15	1	Adapter	764089
16	1	Packing	755461
17	1	Seal Retainer	751680
18	1	O-Ring	755530
19	1	Thread Lock	750338
20	1	Vented plug	181256

1.9



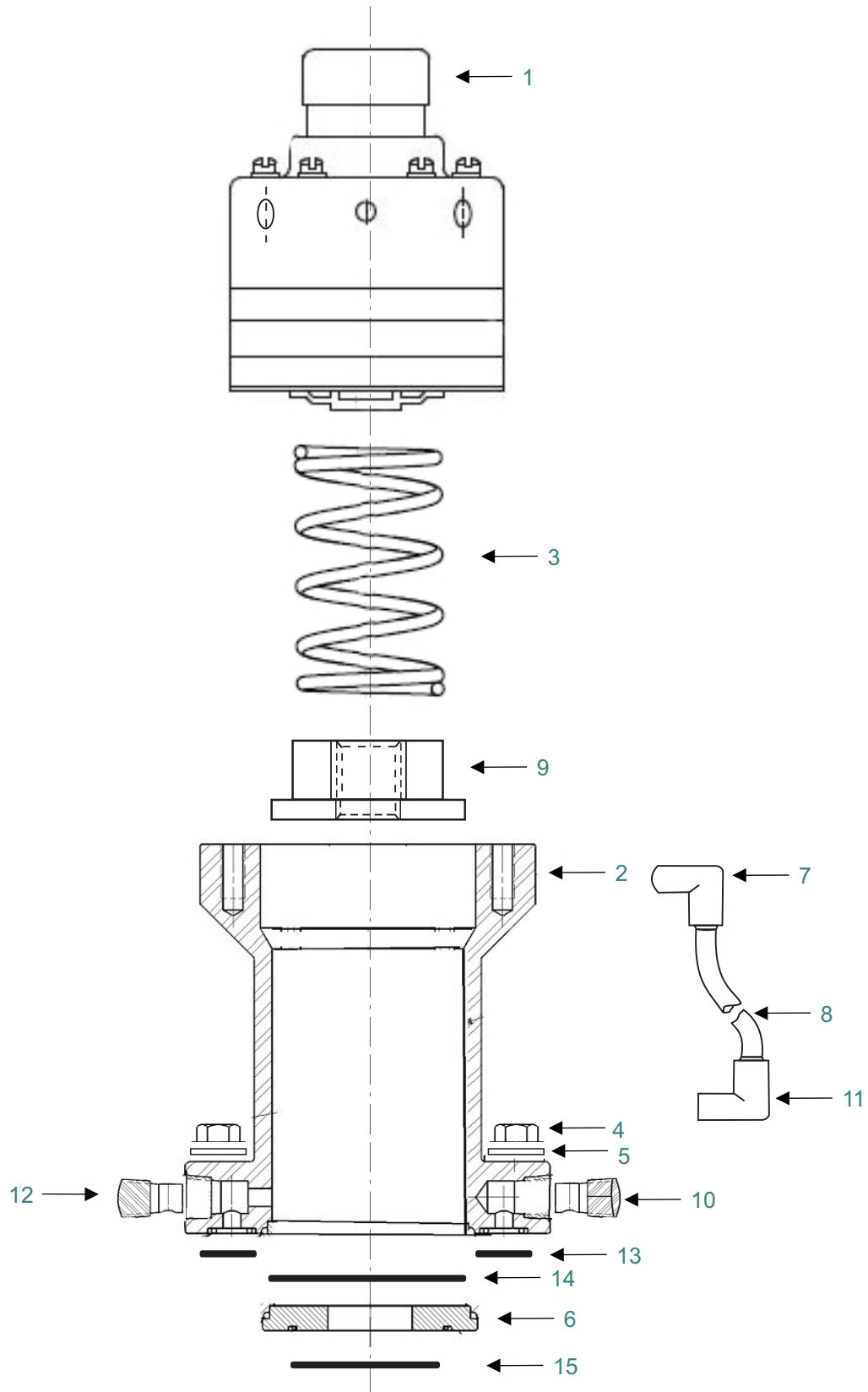
Pos	Qty	Denomination	
1	1	Moore Positioner	769498
2	1	Range Spring	750392
3	1	Mounting Adapter	764078
4	1	Gasket	755549
5	1	Outer Diaphragm Clamp	763795
6	1	Inner Diaphragm Clamp	763794
7	1	Body Insert	764088
8	1	Diaphragm	763501
9	1	Actuator Cylinder	770543
10	1	Inner Diaphragm Guide	763753
11	1	Nut	754264
12	1	Stem	770096
13	1	Spring	750752
14	1	Bonnet	751044
15	1	Adapter	764089
16	1	Packing	755461
17	1	Seal Retainer	751680
18	1	O-Ring	755530
19	1	Vented plug	181256

1.9



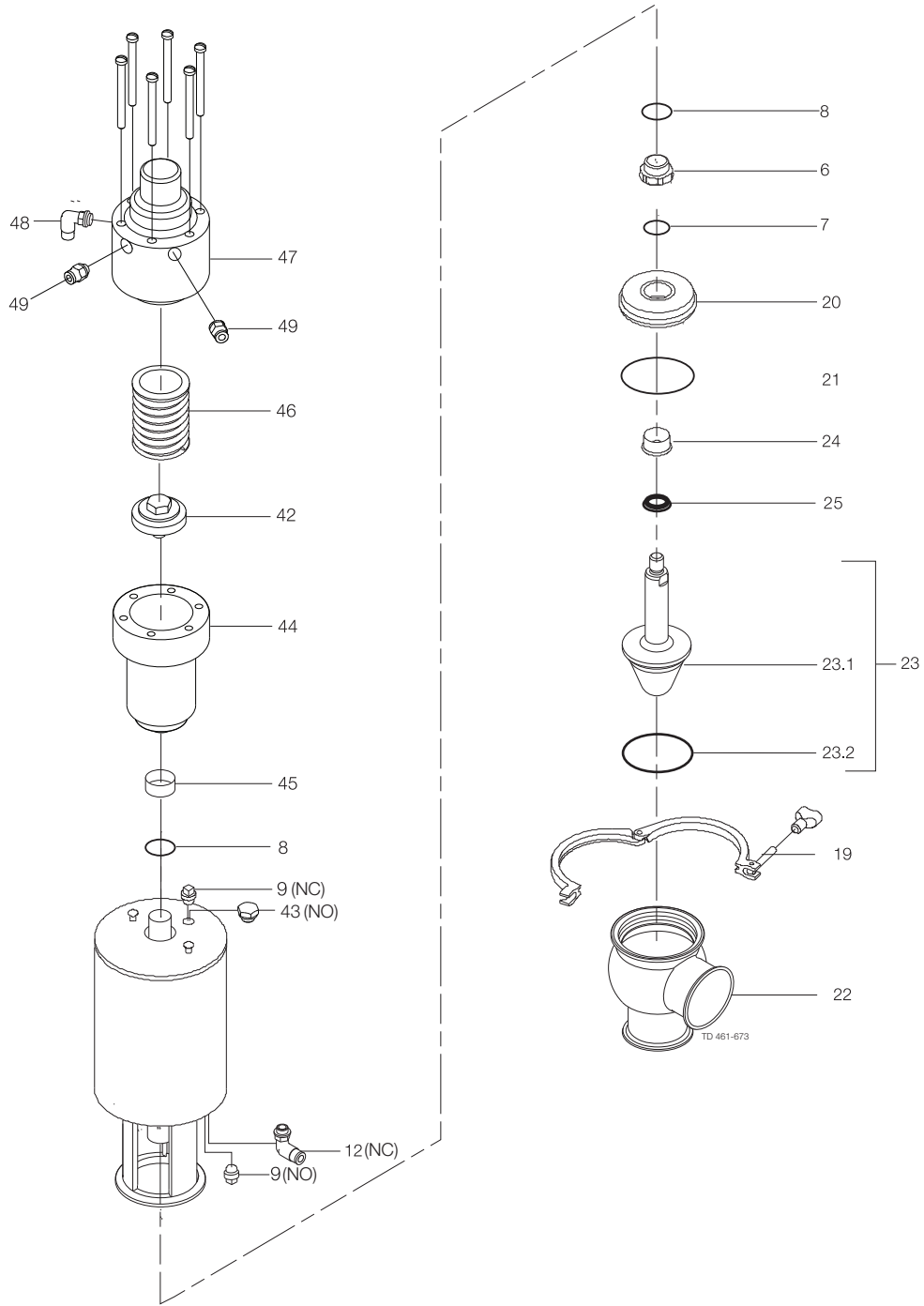
Pos	Qty	Denomination	
1	11	Positioner	Positioner
2	1	Adapter	761851
3	1	Spring	750998
4	4	Screw	180191
5	4	Lockwasher	189962
6	1	Packing Retainer	761157
7	1	Spring Adapter	762375
8	2	Plug	751541
9	2	O-Ring	755388
10	1	O-Ring	755518
11	1	O-Ring	755469

1.9



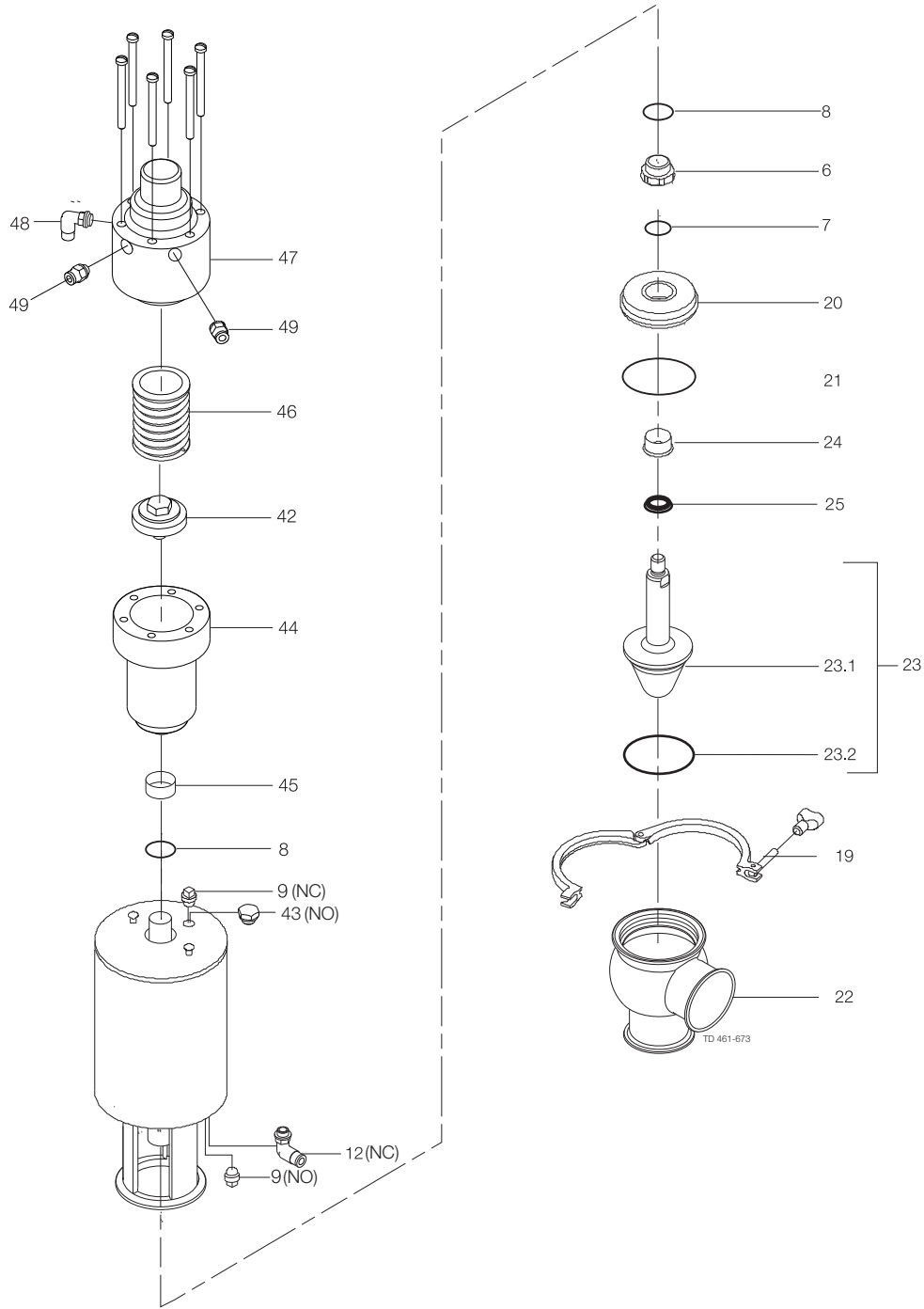
Pos	Qty	Denomination	
1	1	Positioner	769449
2	1	Adapter	761851
3	1	Spring	750998
4	4	Screw	180191
5	4	Lockwasher	189962
6	1	Packing Retainer	761157
7	1	Elbow Fitting	766010
8	14	Poly-Flo Tubing	765006
9	2	Spring Adapter	762375
10	1	Vent Plug	181256
11	1	Elbow Fitting	766009
12	1	Plug	751541
13	2	O-Ring	755388
14	1	O-Ring	755469
15	1	O-Ring	755518

1.9



Pos	Qty	Denomination	1½"	2"	2½"	3"	4"
Actuator							
		Actuator, complete (NO)	9613154831	9613154832	9613154833	9613154834	9613154835
		Actuator, complete (NC)	9613154836	9613154837	9613154838	9613154839	9613154840
6	□	1 Bushing					
7	□	1 O-ring					
8	□	2 O-ring					
9		1 Plug, (NO+NC)	96134141-01	96134141-01	96134141-01	96134141-01	96134141-01
12		1 Air fitting, (NC)	9611994682	9611994682	9611994682	9611994682	9611994682
42		1 Spring connection piece	9613435501	9613435502	9613435502	9613435503	9613435503
43		1 Plug (NO)	9611993709	9611993709	9611993709	9611993709	9611993709
44		1 Positioner yoke	9613435201	9613435201	9613435201	9613435201	9613435201
45	□	1 Guide ring					
46		1 Spring	9634075514	750392	750392	750998	750998
47		1 Positioner, NC	769499	769499	769499	769499	769499
		1 Positioner, NO	769498	769498	769498	769498	769498
48		1 Air fitting, (NC)	9611993068	9611993068	9611993068	9611993068	9611993068
49		2 Air fitting , (NC+NO)	9611993069	9611993069	9611993069	9611993069	9611993069
Clamp							
19		1 Clamp	9612939316	9612939317	9612939318	9612939319	9612939320
Bonnet							
20		1 Bonnet	9613127102	9613127103	9613127104	9613127105	9613127106
21	♦	1 O-ring, EPDM (standard)					
		1 O-ring, HNBR					
		1 O-ring, FPM					
		1 O-ring, set (10 pcs.) EPDM	9614059422	9614059425	9614059428	9614059431	9614059434
		1 O-ring, set (10 pcs.) HNBR	9614059423	9614059426	9614059429	9614059432	9614059435
		1 O-ring, set (10 pcs.) FPM	9614059424	9614059427	9614059430	9614059433	9614059436
24		1 Bushing	9613125002	9613125002	9613125002	9613125002	9613125002
25	♦	1 Lip seal, EPDM (standard)					
		1 Lip seal, HNBR					
		1 Lip seal, FPM					
		0 Lip seal, set (10 pcs.) EPDM	9614059419	9614059419	9614059419	9614059419	9614059419
		0 Lip seal, set (10 pcs.) HNBR	9614059420	9614059420	9614059420	9614059420	9614059420
		0 Lip seal, set (10 pcs.) FPM	9614059421	9614059421	9614059421	9614059421	9614059421
Valve Body							
22		1 Valve body, lower, 2 ports , clamp	9613161603	9613161605	9613161607	9613161609	9613161611
		1 Valve body, lower, 3 ports, clamp	9613161604	9613161606	9613161608	9613161610	9613161612
		1 Valve body, lower 2 ports , welding ends	9613139515	9613139517	9613139519	9613139521	9613139523
		1 Valve body, lower 3 ports , welding ends	9613139516	9613139518	9613139520	9613139522	9613139524
Valve Plug							
23		1 Plug, complete, EPDM (standard) Cv 16	9613158901				
		1 Plug, complete, EPDM (standard) Cv 52	9613158902				
		1 Plug, complete, EPDM (standard) Cv 19	9613168501				
		1 Plug, complete, EPDM (standard) Cv 29	9613168502				
		1 Plug, complete, EPDM (standard) Cv 88		9613158903			
		1 Plug, complete, EPDM (standard) Cv 11		9613168503			
		1 Plug, complete, EPDM (standard) Cv 35		9613168504			
		1 Plug, complete, EPDM (standard) Cv 60		9613168505			
		1 Plug, complete, EPDM (standard) Cv 126			9613158904		
		1 Plug, complete, EPDM (standard) Cv 30			9613168507		
		1 Plug, complete, EPDM (standard) Cv 202				9613158905	
		1 Plug, complete, EPDM (standard) Cv 119				9613168508	
		1 Plug, complete, EPDM (standard) Cv 69				9613168601	
		1 Plug, complete, EPDM (standard) Cv 290					9613158906
		1 Plug, complete, EPDM (standard) Cv 148					9613168602
		1 Plug, complete, EPDM (standard) Cv 193					9613168603
		1 Plug, complete, HNBR Cv 16	9613158913				
		1 Plug, complete, HNBR Cv 52	9613158914				
		1 Plug, complete, HNBR Cv 19	9613168517				
		1 Plug, complete, HNBR Cv 29	9613168518				
		1 Plug, complete, HNBR Cv 88		9613158915			
		1 Plug, complete, HNBR Cv 11		9613168519			
		1 Plug, complete, HNBR Cv 35		9613168520			
		1 Plug, complete, HNBR Cv 60		9613168521			
		1 Plug, complete, HNBR Cv 126			9613158916		
		1 Plug, complete, HNBR Cv 30			9613168523		
		1 Plug, complete, HNBR Cv 202				9613158917	
		1 Plug, complete, HNBR Cv 119				9613168524	
		1 Plug, complete, HNBR Cv 69				9613168607	
		1 Plug, complete, HNBR Cv 290					9613158918
		1 Plug, complete, HNBR Cv 148					9613168608
		1 Plug, complete, HNBR Cv 193					9613168609

1.9



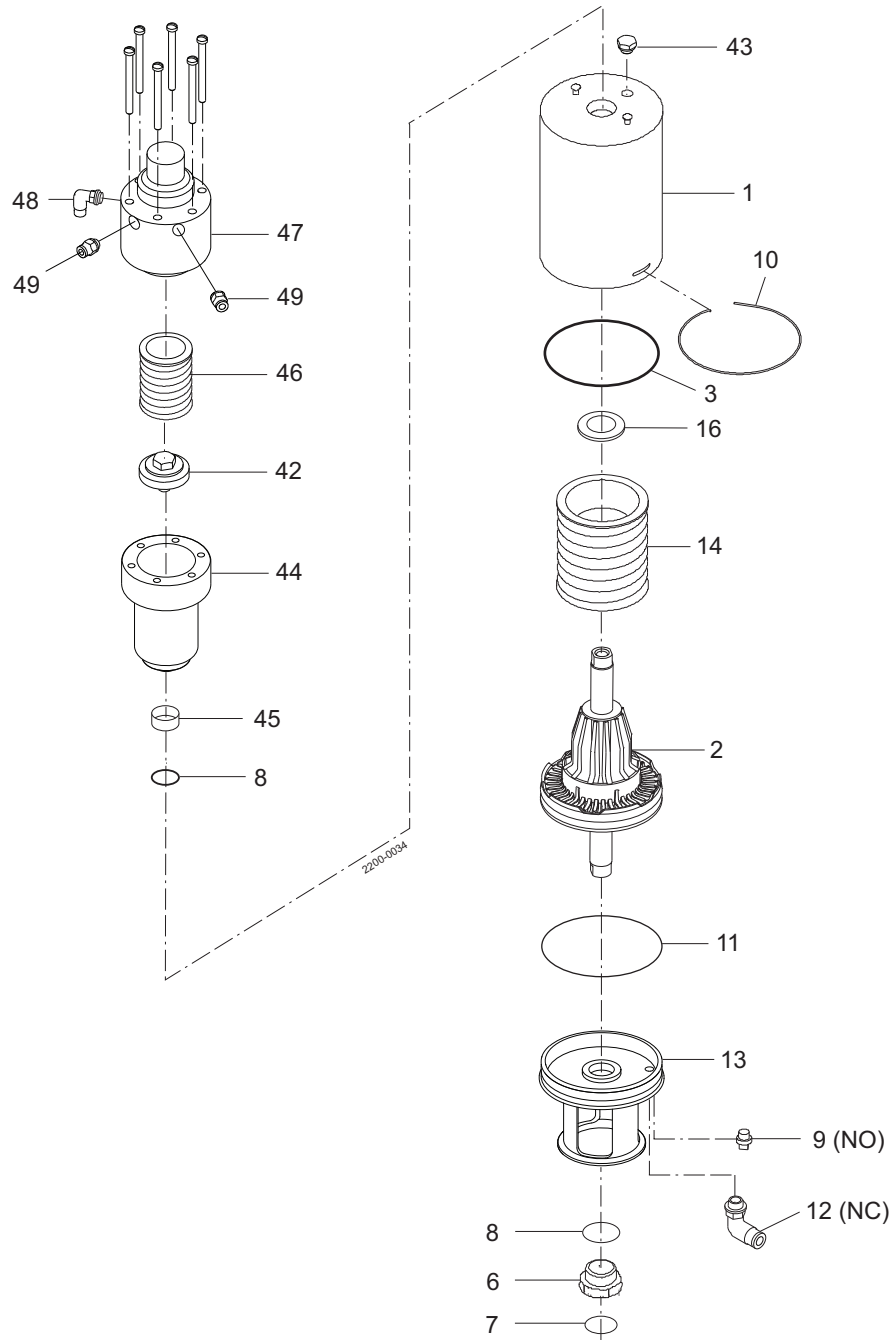
Pos	Qty Denomination	1½"	2"	2½"	3"	4"
23	1 Plug, complete, FPM Cv 16	9613158925				
	1 Plug, complete, FPM Cv 52	9613158926				
	1 Plug, complete, FPM Cv 19	9613168533				
	1 Plug, complete, FPM Cv 29	9613168534				
	1 Plug, complete, FPM Cv 88		9613158927			
	1 Plug, complete, FPM Cv 11		9613168535			
	1 Plug, complete, FPM Cv 35		9613168536			
	1 Plug, complete, FPM Cv 60		9613168537			
	1 Plug, complete, FPM Cv 126			9613158928		
	1 Plug, complete, FPM Cv 30			9613168539		
	1 Plug, complete, FPM Cv 202				9613158929	
	1 Plug, complete, FPM Cv 119				9613168540	
	1 Plug, complete, FPM Cv 69				9613168613	
	1 Plug, complete, FPM Cv 290					9613158930
	1 Plug, complete, FPM Cv 148					9613168614
	1 Plug, complete, FPM Cv 193					9613168615
23.1	1 Plug, Cv 16	9613158801				
	1 Plug, Cv 52	9613158802				
	1 Plug, Cv 19	9613165001				
	1 Plug, Cv 29	9613165002				
	1 Plug, Cv 88		9613158803			
	1 Plug, Cv 11		9613165003			
	1 Plug, Cv 35		9613165004			
	1 Plug, Cv 60		9613165005			
	1 Plug, Cv 126			9613158804		
	1 Plug, Cv 30			9613165007		
	1 Plug, Cv 202				9613158805	
	1 Plug, Cv 119				9613165008	
	1 Plug, Cv 69				9613167001	
	1 Plug, Cv 290					9613158806
	1 Plug, Cv 148					9613167002
	1 Plug, Cv 193					9613167003
23.2♦	1 Plug seal, EPDM (standard)					
	1 Plug seal, HNBR					
	1 Plug seal, FPM					
	0 Plug seal, set (10 pcs.) EPDM	9614059404	9614059407	9614059410	9614059413	9614059416
	0 Plug seal, set (10 pcs.) HNBR	9614059405	9614059408	9614059411	9614059414	9614059417
0 Plug seal, set (10 pcs.) FPM	9614059406	9614059409	9614059412	9614059415	9614059418	
		1½"	2"	2½"	3"	4"
□	Service kit, actuator	9611926737	9611926737	9611926737	9611926737	9611926737
♦	Service kit, EPDM	9611926502	9611926503	9611926504	9611926505	9611926506
♦	Service kit, HNBR	9611926508	9611926509	9611926510	9611926511	9611926512
♦	Service kit, FPM	9611926514	9611926515	9611926516	9611926517	9611926518

1.9

Parts marked with □♦ are included in the service kits.

Recommended spare parts: Service kits.

1.9



Pos	Qty	Denomination	1½"	2"	2½"	3"	4"
		Actuator, complete (NO)	9613185316	9613185317	9613185318	9613185319	9613185320
		Actuator, complete (NC)	9613185321	9613185322	9613185323	9613185324	9613185325
1	1	Cylinder	9613142520	9613142521	9613142521	9613142522	9613142522
2	1	Piston	9613132201	9613132301	9613132301	9613132401	9613132401
3	□	O-ring					
5	1	Adapter	9614065301	9614065301	9614065301	9614065301	9614065301
6	□	Bushing					
7	□	O-ring					
8	□	O-ring					
9	1	Plug, (NO+NC)	9613414101	9613414101	9613414101	9613414101	9613414101
10	1	Lock wire	9613143201	9613143202	9613143202	9613143203	9613143203
11	□	O+ring					
12	1	Air fitting, (NC)	9611994682	9611994682	9611994682	9611994682	9611994682
13	1	Yoke	9613154301	9613154402	9613154502	9613154603	9613154703
14	1	Spring assembly	9613132501	9613132502	9613132502	9613132503	9613132503
16	□	Support disc					
42	1	Spring connection piece	9613435501	9613435502	9613435502	9613435503	9613435503
43	1	Plug, (NO)	9611993709	9611993709	9611993709	9611993709	9611993709
44	1	Positioner yoke	9613435201	9613435201	9613435201	9613435201	9613435201
45	□	Guide ring					
46	1	Spring	9634075514	750392	750392	750998	750998
47	1	Positioner, NC	769499	769499	769499	769499	769499
	1	Positioner, NO	769498	769498	769498	769498	769498
48	1	Air fitting, (NC)					
49	2	Air fitting, (NC+NO)					

1.9

Parts marked with □ are included in the service kits.

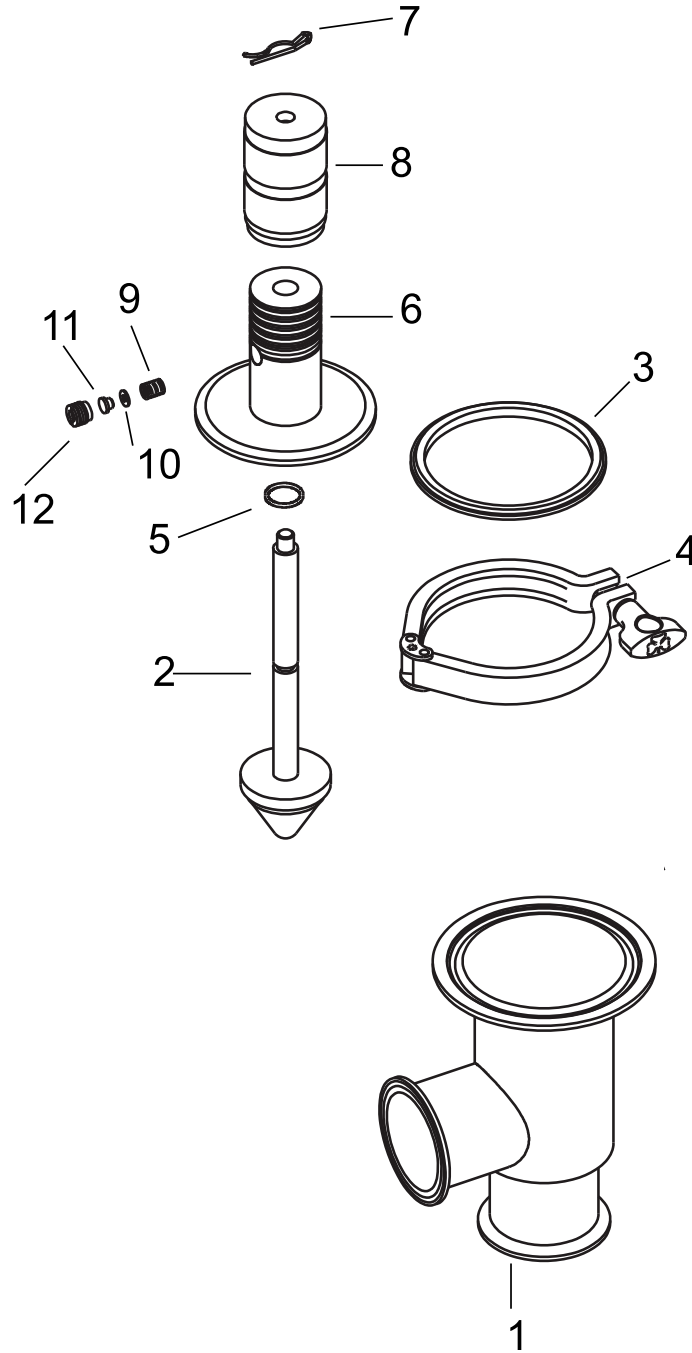
Recommended spare parts: Service kits.

TD 900481/2

		1½"	2"	2½"	3"	4"
□	Service kit, Actuator	9611926740	9611926741	9611926741	9611926742	9611926742

Not manufactured anymore

1.9



Pos	Qty	Denomination	1"	1 1/2"	2"	2 1/2"	3"
1	1	Body	NA	NA	NA	NA	NA
2	1	Valve Stem	771749	770051	770052	770104	771982
3	<input type="checkbox"/>	1 Body gasket BUNA	755415	755415	755416	755417	755418
	<input type="checkbox"/>	1 Body gasket EPDM	750157	750157	750062	751799	750811
	<input type="checkbox"/>	1 Body gasket SFY	750667	750667	750497	750209	750609
4	1	Clamp	212205	212205	212206	212207	212208
5	<input type="checkbox"/>	1 O-ring BUNA	755351	755351	755351	755357	755357
	<input type="checkbox"/>	1 O-ring EPDM	750036	750036	750036	750037	750037
	<input type="checkbox"/>	1 O-ring SFY	750172	750172	750172	750173	750173
6	1	Bonnet	750012	750012	750014	NA	NA
7	<input type="checkbox"/>	1 Clip	628530	628530	628530	628531	628531
8	1	Knurled handle	750331	750331	750331	750332	750332
9	1	Spring	750786	750786	750786	750786	750786
10	1	Washer	754860	754860	754860	754860	754860
11	<input type="checkbox"/>	1* Friction button	758771	758771	758771	758771	758771
12	1	Threaded bushing	764757	764757	764757	764757	764757

1.9

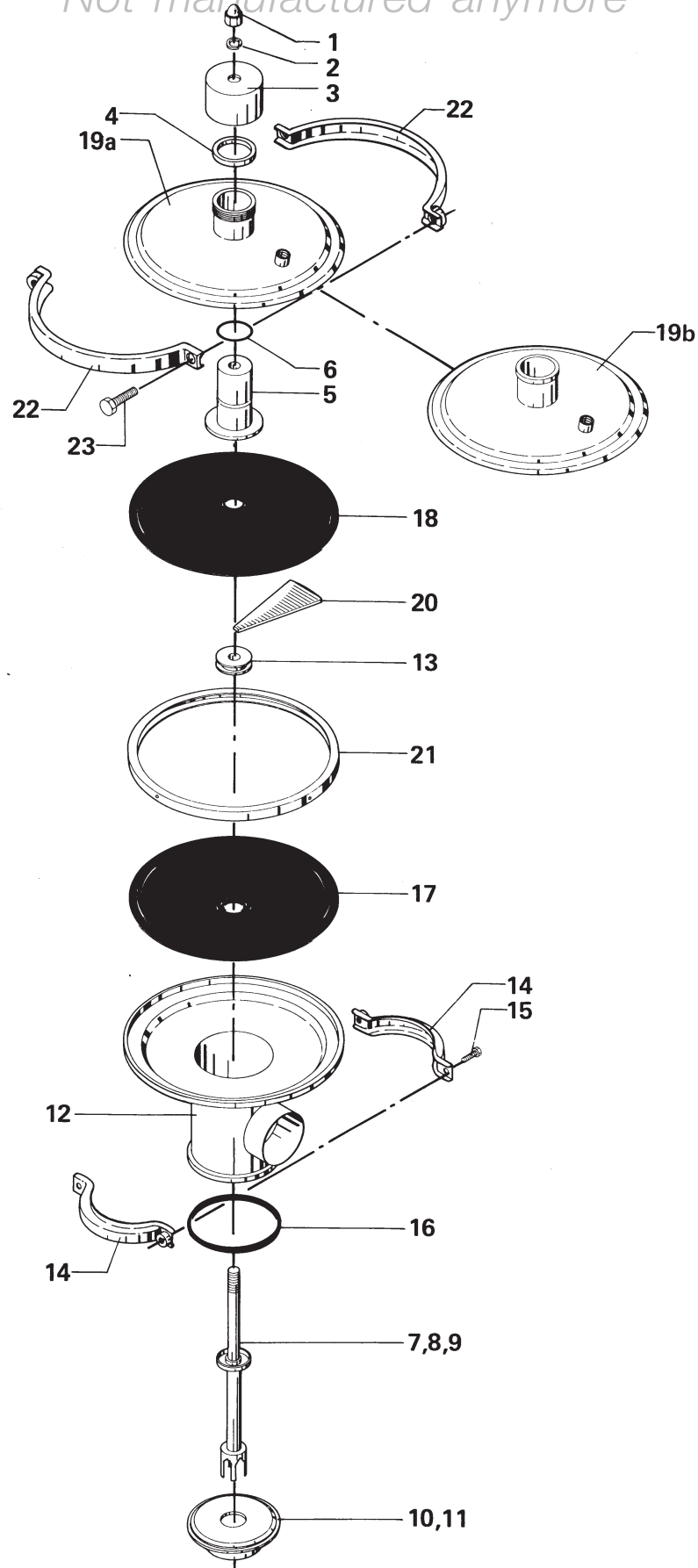
*Quantity for 1", 1 1/2", and 2" is 2 pieces. Quantity for 2 1/2" and 3" is 3 pieces.

Parts marked with are included in the service kits.

		1"	1 1/2"	2"	2 1/2"	3"
<input type="checkbox"/>	Service Kit BUNA	9613990121	9613990121	9613990124	9613990127	9613990130
<input type="checkbox"/>	Service Kit EPDM	9613990122	9613990122	9613990125	9613990128	9613990131
<input type="checkbox"/>	Service Kit SFY	9613990123	9613990123	9613990126	9613990129	9613990132

Not manufactured anymore

1.9

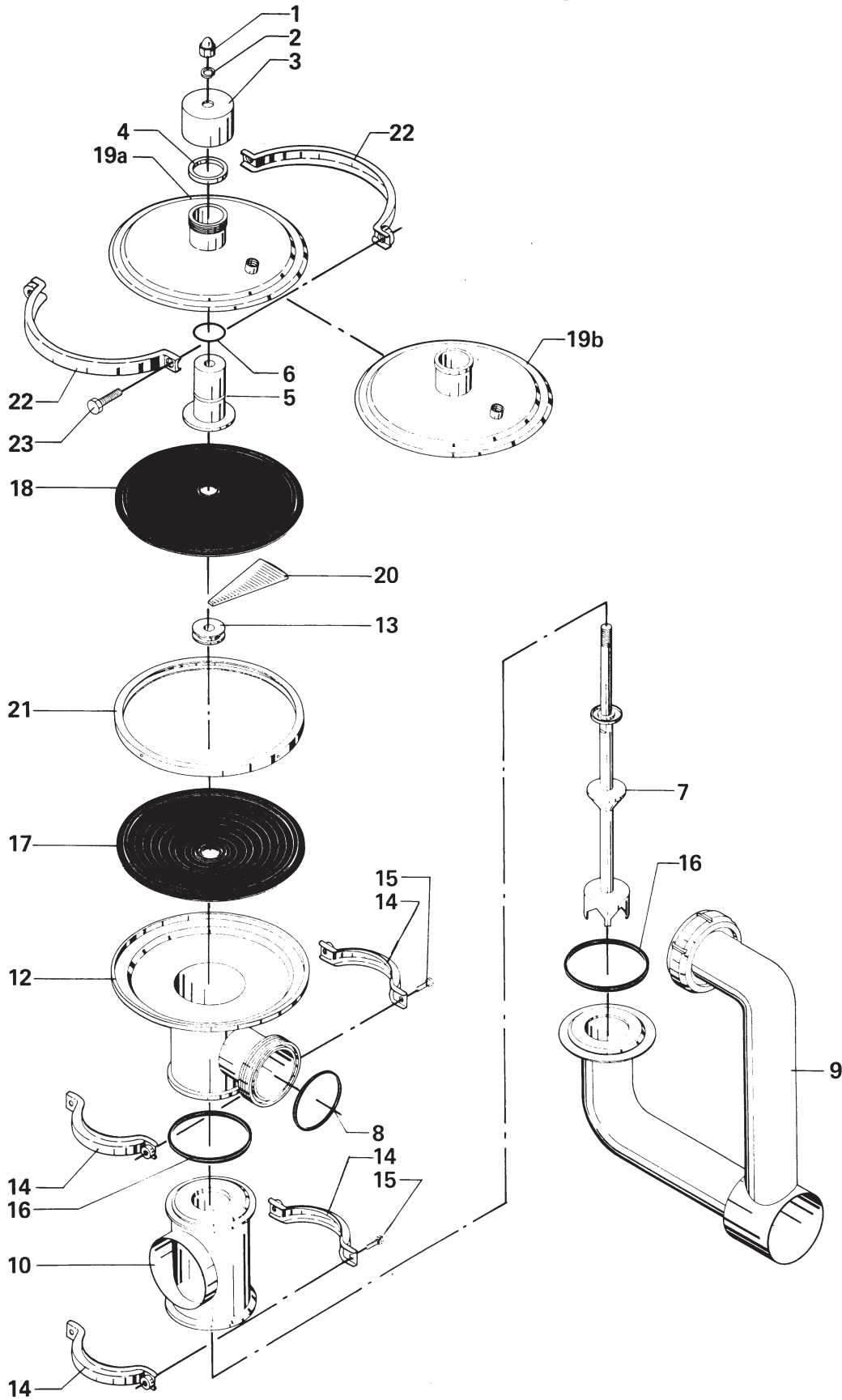


Pos	Qty	Denomination	CPM 8, CPM 16, CPM 33
1	1	Cap nut	22189115
2	1	Spring washer	9611991887
3	1	Collar	
4	1	Ring	
5	1	Guide	3135600721
6 ▲	1	O-ring	22340649
7	1	Valve plug, kv-8	3135600371
8	1	Valve plug, kv-16	3135600052
9	1	Valve plug, kv-33	3135600051
10	1	Valve seat, kv-8,16	
11	1	Valve seat, kv-33	
12	1	Valve body	
13	1	Inner ring	3135600631
14	2	Clamp half	
15	2	Screw	
16 ▲	1	Valve body packing, EPDM	3135301281
	1	Valve body packing, NBR	3135301282
	1	Valve body packing, FPM	3135301283
	1	Valve body packing, PTFE	3135304511
17 ▲	1	Diaphragm, PTFE covered EPDM (product side)	3135600144
18 ▲	1	Diaphragm, NBR, (air side) marked with blue dot	3135600142
17/18	1	Diaphragm, NBR, (optional) marked with blue dot	3135600142
19	1	Cover (with thread)	3135600671
20	12	Support sector	3135600621
21	1	Outer ring	3135600641
22	2	Clamp half	
23	2	Screw	

Parts marked with ▲ are included in Service kit.

	CPM 8, CPM 16, CPM 33
Service kit	9611920118

Not manufactured anymore



1.9

Pos	Qty	Denomination	D-60
1	1	Cap nut	22189115
2	1	Spring washer	9611991887
3	1	Collar	3135600031
4	1	Ring	
5	1	Guide	3135600721
6 ▲	1	O-ring	22340649
7	1	Plug	3135600061
8	1	Packing, EPDM (standard)	3131703785
	1	Packing, NBR	190604
	1	Packing, FPM	3131703782
9	1	Inlet valve	
10	1	Valve body, lower	3135600181
12	1	Valve body	
13	1	Inner ring	3135600631
14+15	4	Clamp half + screws	3132000273
16 ▲	2	Valve body packing, EPDM (standard)	3135301281
	2	Valve body packing, NBR	3135301282
17 ▲	1	Diaphragm, PTFE covered EPDM (product side)	3135600144
	1	Diaphragm, NBR, marked with blue dot (optional)	3135600142
18 ▲	1	Diaphragm, NBR, (air side) marked with blue dot	3135600142
19	1	Cover (with thread)	3135600671
20	12	Support sector	3135600621
21	1	Outer ring	3135600641
22	2	Clamp half	
23	2	Screw	

D-60

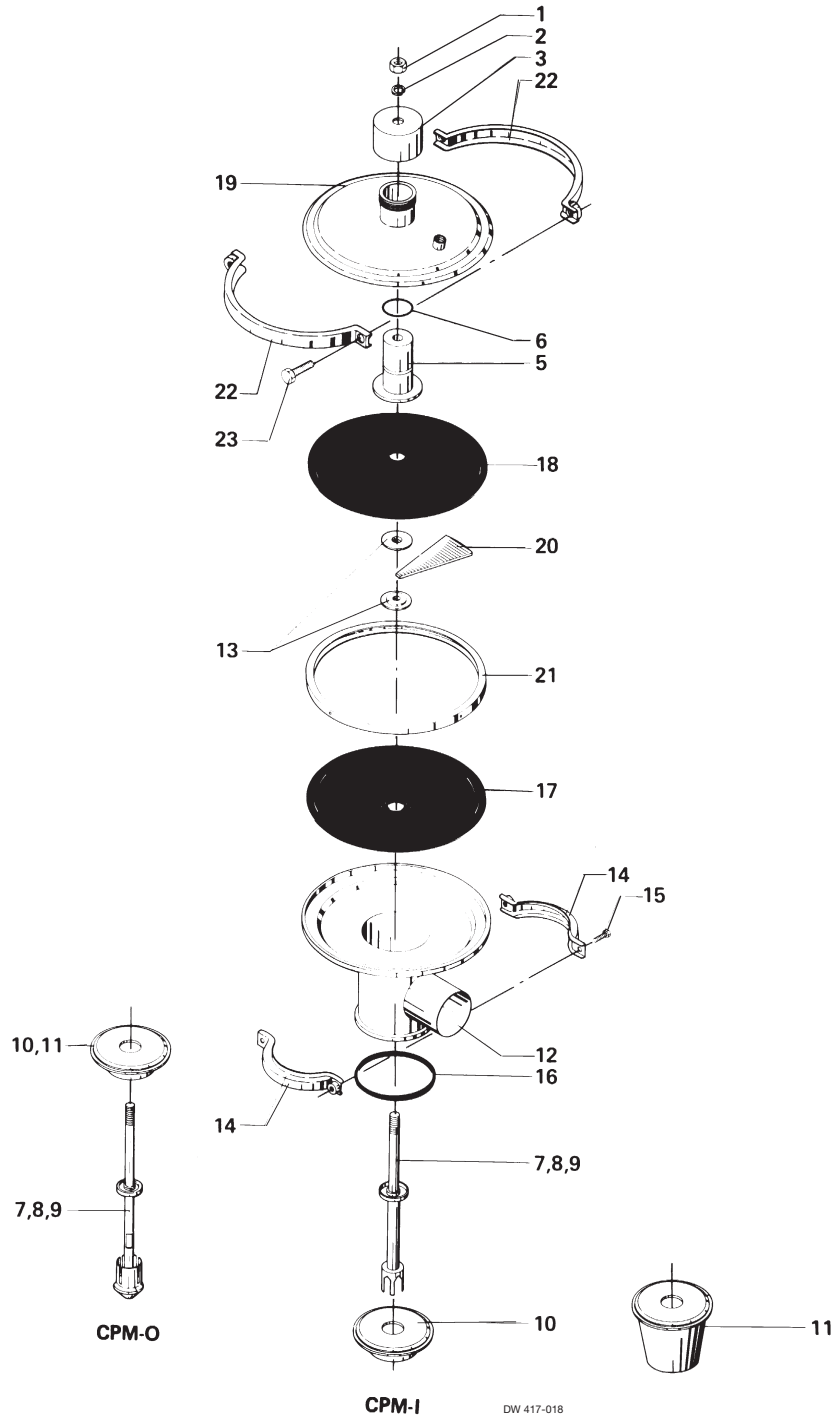
Service Kit	9611920118
-----------------------	------------

Parts marked with ▲ are included in Service Kit.

Recommended spare parts: Service kits.

Not manufactured anymore

1.9



Pos	Qty	Denomination	CPM-I	CPM-O
1	1	Nut	22189115	22189115
2	1	Spring washer	9611991887	9611991887
3	1	Top	3135600031	3135600031
5	1	Guide	3135600721	3135600721
6	□	O-ring	22340649	22340649
7	1	Valve plug, kv-7		
8	1	Valve plug, kv-14		
9	1	Valve plug, kv-25		
10	1	Valve seat, kv-7.14		
11	1	Valve seat, kv-25		
12	1	Valve body		
13	2	Inner ring	3135600631	3135600631
14+15	1	Clamp and screws (Period 9209-)	3132000273	3132000273
16	□	Valve body packing, EPDM (Standard)	3135301281	3135301281
	1	Valve body packing, NBR (optional)	3135301282	3135301282
17	□	Diaphragm, PTFE covered EPDM (Standard) (product side)	3135600144	3135600144
18	□	Diaphragm, NBR (air side), Blue dot	3135600142	3135600142
	1	Diaphragm, PTFE covered EPDM (optional)	3135600144	3135600144
19	1	Cover	3135600671	3135600671
20	12	Support sector	3135600621	3135600621
21	1	Outer ring	3135600641	3135600641
22	2	Clamp half, (Period 9311-)	9612335201	9612335201
	2	Clamp half, (Period 8011-9311)	9611920219	9611920219
23	2	Screw, (Period 9311-)	9611991222	9611991222
24	2	Washer (Period 9311-)	9611990786	9611990786
			CPM-I	CPM-O
□		Service kit	9611920118	9611920118

Parts marked with □ are included in Service kit.

N.B.:

Old denomination kv-8, kv-16 and kv33.

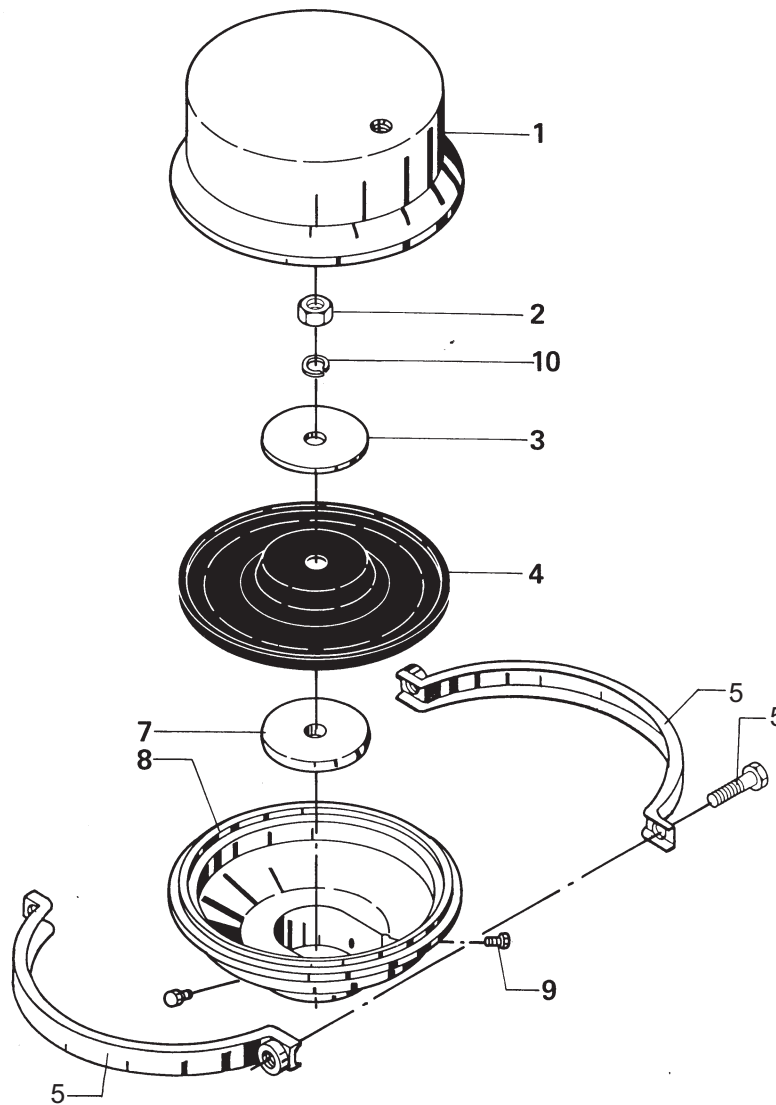
New denomination kv-7, kv-14 and kv-25.

Recommended spare parts: Service kit.

900-448

Not manufactured anymore

1.9

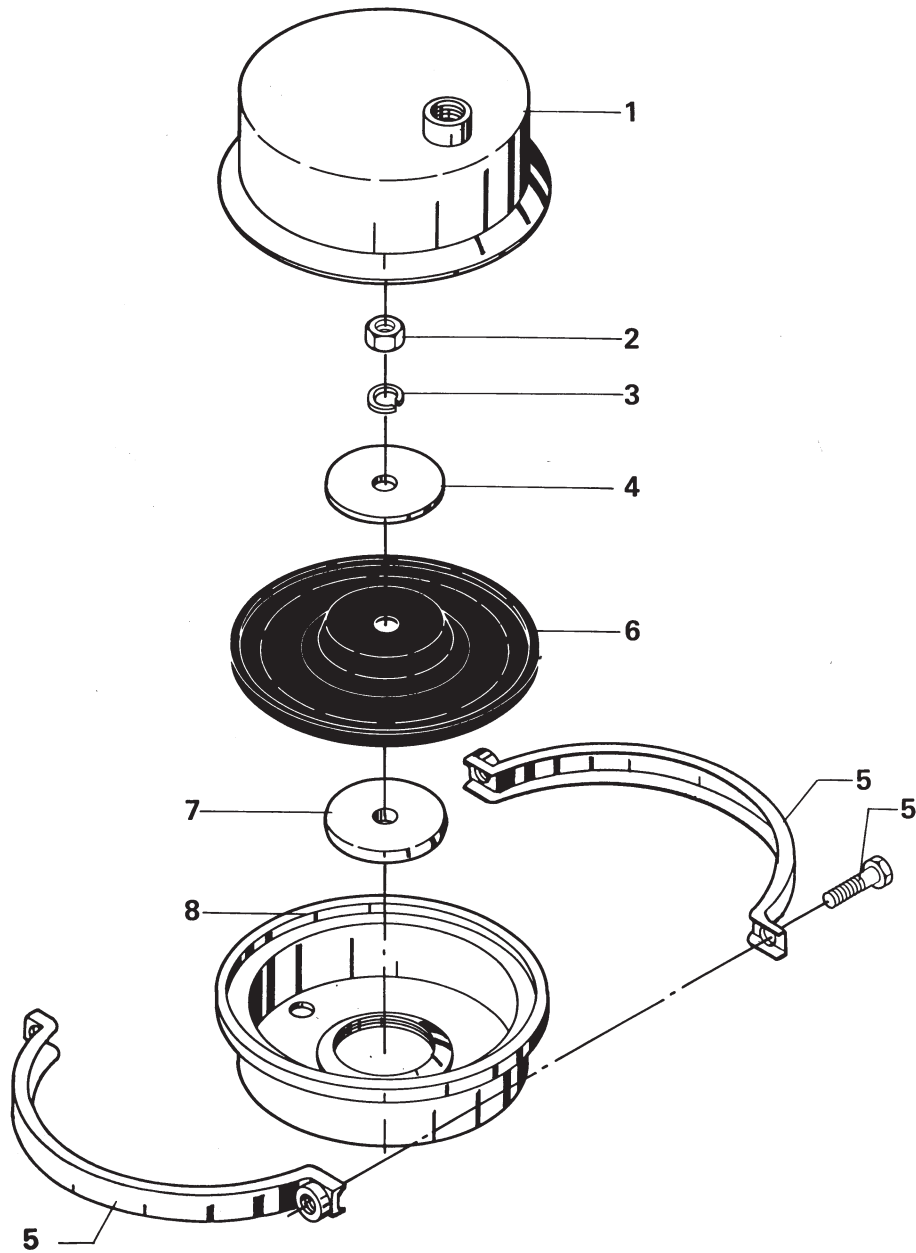


Pos	Qty	Denomination	3135600401
1	1	Cover	
2	1	Nut	22180329
3	1	Washer	
4	1	Bellow	3135600441
5	1	Clamp set	3132000272
7	1	Support washer	
8	1	Booster housing	
9	2	Screw	22103102
10	1	Spring washer	9611991887

Recommended spare parts: Pos. 4

Not manufactured anymore

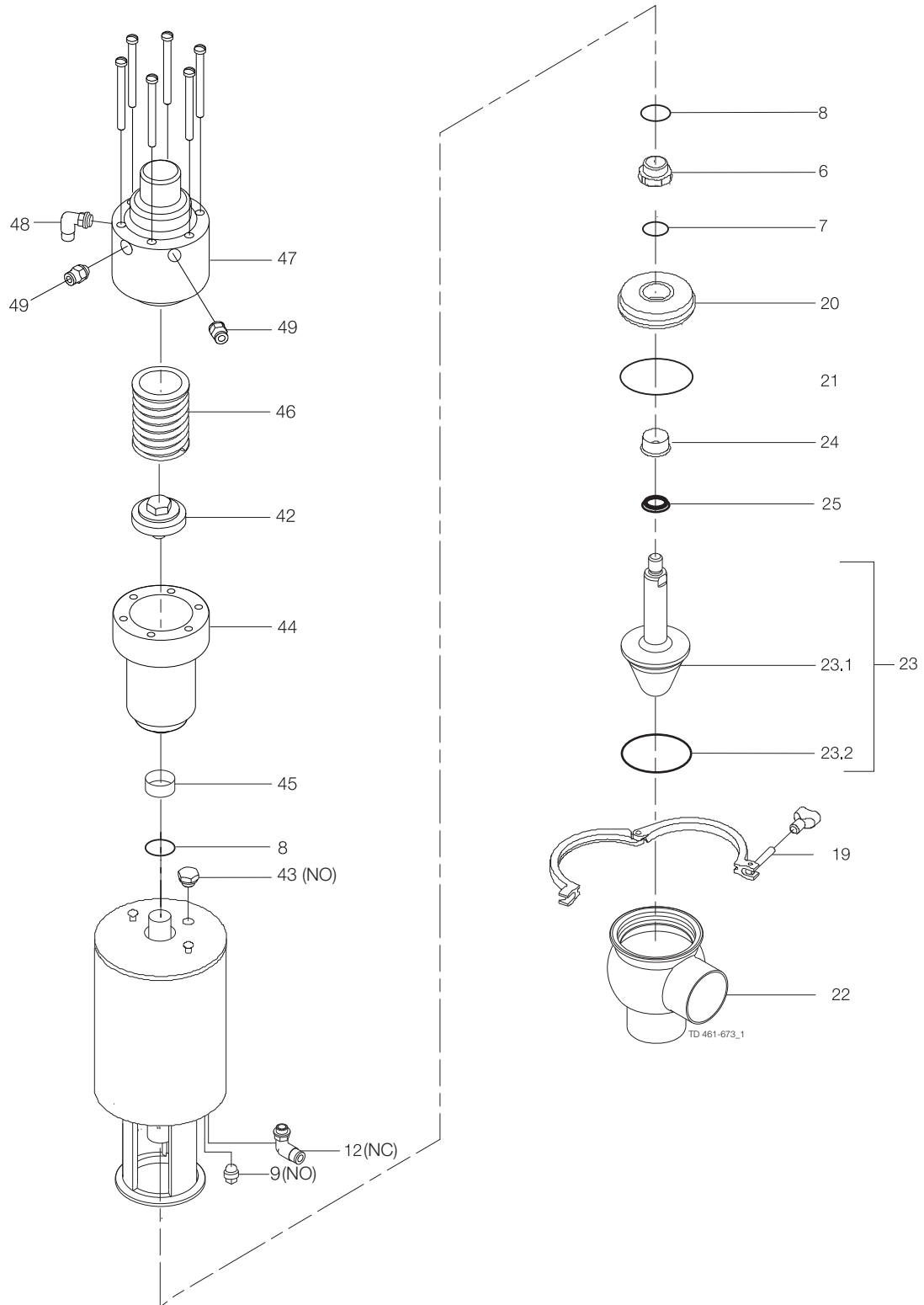
1.9



Pos	Qty	Denomination	3135600501
1	1	Booster cover	
2	1	Nut	22180329
3	1	Spring washer	9611991887
4	1	Washer	
5	1	Clamp set	3132000272
6	1	Bellow	3135600441
7	1	Support washer	
8	1	Booster housing	

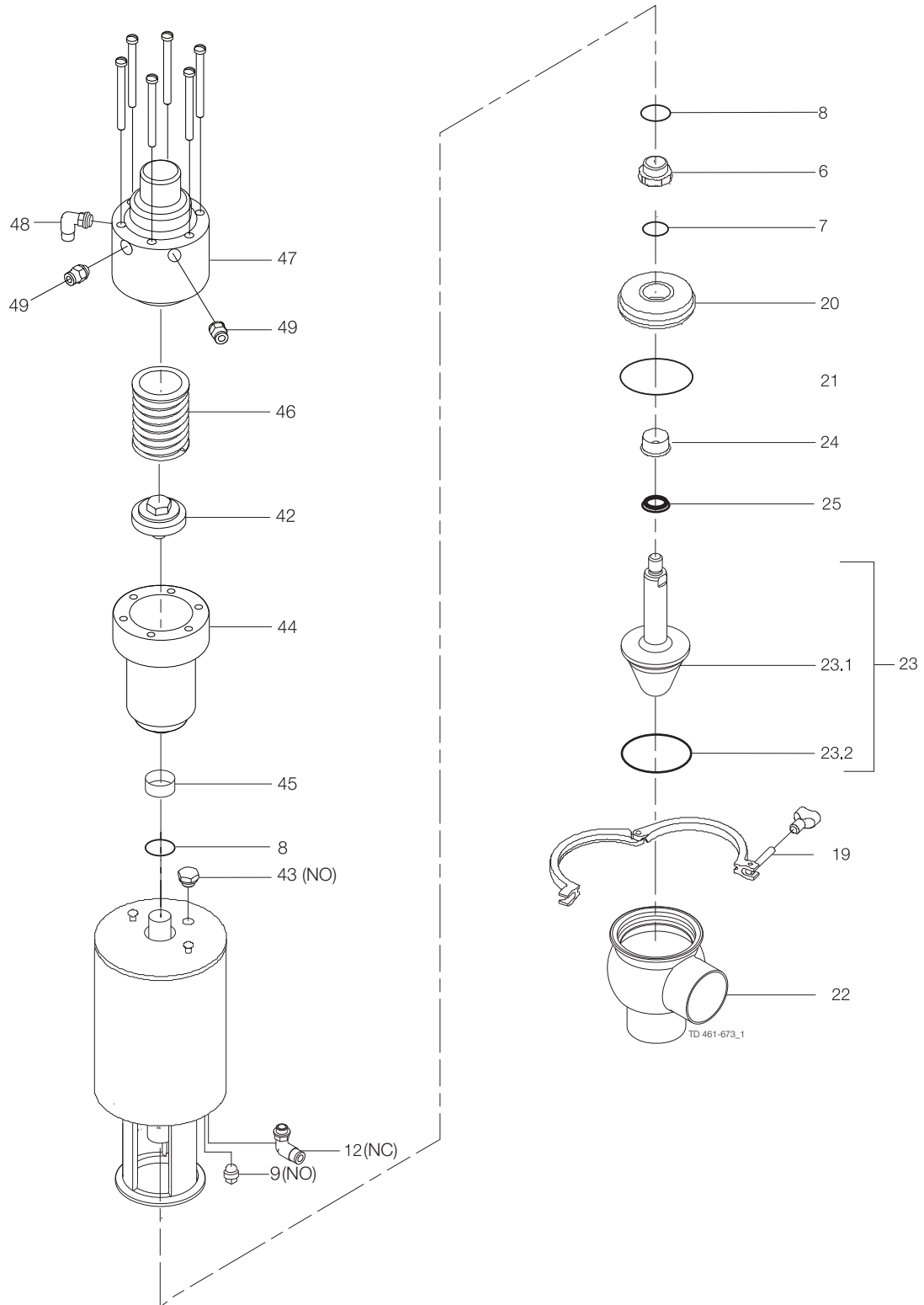
Recommended spare parts: Pos. 6

1.9



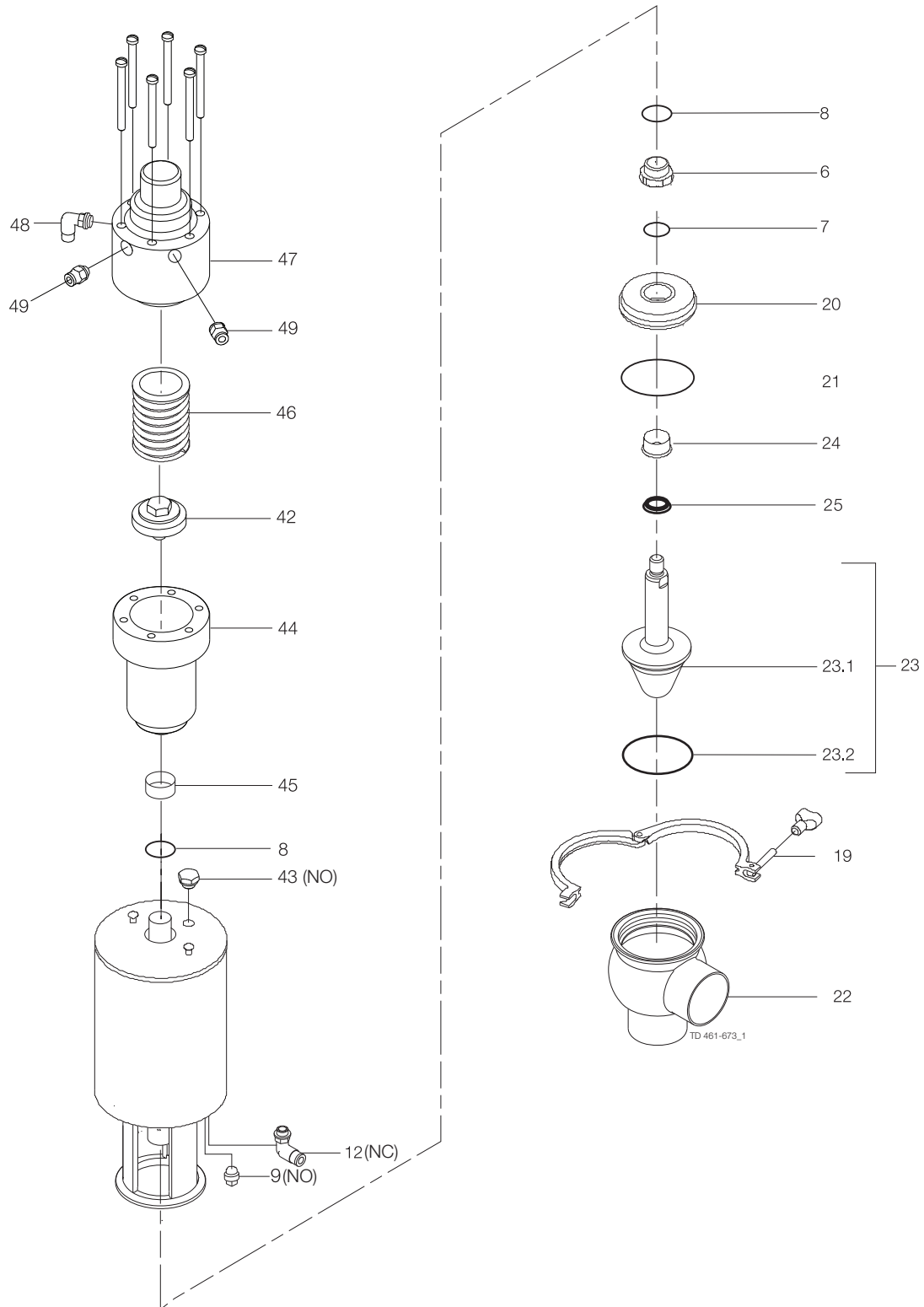
Pos	Qty	Denomination	DN40 38 mm	DN50 51 mm	DN65 63.5mm	DN80 76.1 mm	DN100 101.6 mm
5	1	Actuator, complete , (NO)	9613154801	9613154802	9613154803	9613154804	9613154805
	1	Actuator, complete , (NC)	9613154806	9613154807	9613154808	9613154809	9613154810
	1	Adapter, plastic (- 0115)					
	1	Adapter, steel (0115 -)	9614065301	9614065301	9614065301	9614065301	9614065301
6	1	Bushing					
7	1	O-ring					
8	2	O-ring					
9	1	Plug (NO+NC)	9613414101	9613414101	9613414101	9613414101	9613414101
12	1	Air fitting (NC)	9611991988	9611991988	9611991988	9611991988	9611991988
42	1	Spring connection piece	9613435501	9613435502	9613435502	9613435503	9613435503
43	1	Plug (NO)	9611993709	9611993709	9611993709	9611993709	9611993709
44	1	Positioner yoke	9613435201	9613435201	9613435201	9613435201	9613435201
46	1	Spring	9634075514	750392	750392	750998	750998
47	1	Positioner , NC	769499	769499	769499	769499	769499
	1	Positioner, NO	769498	769498	769498	769498	769498
48	1	Air fitting (NC)	9611993068	9611993068	9611993068	9611993068	9611993068
49	2	Air fitting (NC+NO)	9611993069	9611993069	9611993069	9611993069	9611993069
Clamp							
19	1	Clamp	9612939303	9612939304	9612939305	9612939306	9612939307
Bonnet							
20	1	Bonnet	9613127102	9613127103	9613127104	9613127105	9613127106
21	1	O-ring, EPDM (std)					
	1	O-ring , HNBR					
	1	O-ring , FPM					
		O-ring set (10 pcs.) EPDM	9614059422	9614059425	9614059428	9614059431	9614059434
		O-ring set (10 pcs.) HNBR	9614059423	9614059426	9614059429	9614059432	9614059435
		O-ring set (10 pcs.) FPM	9614059424	9614059427	9614059430	9614059433	9614059436
24	1	Bushing	9613125002	9613125002	9613125002	9613125002	9613125002
25	1	Lip seal, EPDM (std)					
	1	Lip seal, HNBR					
	1	Lip seal , FPM					
		Lip seal, set (10 pcs.) EPDM	9614059419	9614059419	9614059419	9614059419	9614059419
		Lip seal, set (10 pcs.) HNBR	9614059420	9614059420	9614059420	9614059420	9614059420
		Lip seal, set (10 pcs.) FPM	9614059421	9614059421	9614059421	9614059421	9614059421
Valve Body							
22	1	Valve body, lower, 2 ports ISO	9613139503	9613139505	9613139507	9613139509	9613139511
	1	Valve body , lower, 3 ports ISO	9613139504	9613139506	9613139508	9613139510	9613139512
	1	Valve body , lower, 2 ports DIN	9613139603	9613139605	9613139607	9613139609	9613139611
	1	Valve body, lower, 3 ports DIN	9613139604	9613139606	9613139608	9613139610	9613139612
Valve Plug							
23	1	Plug, complete , ISO, EPDM (std) Kv 14	9613158901				
	1	Plug, complete, ISO, EPDM (std) Kv 44	9613158902				
	1	Plug, complete, ISO, EPDM (std) Kv 16	9613168501				
	1	Plug, complete , ISO, EPDM (std) Kv 25	9613168502				
	1	Plug, complete , ISO, EPDM (std) Kv 75		9613158903			
	1	Plug, complete , ISO, EPDM (std) Kv 9		9613168503			
	1	Plug, complete, ISO, EPDM (std) Kv 30		9613168504			
	1	Plug, complete, ISO, EPDM (std) Kv 51		9613168505			
	1	Plug, complete, ISO, EPDM (std) Kv 107			9613158904		
	1	Plug, complete, ISO, EPDM (std) Kv 26			9613168507		
	1	Plug, complete, ISO, EPDM (std) Kv 172				9613158905	
	1	Plug, complete, ISO, EPDM (std) Kv 101				9613168508	
	1	Plug, complete, ISO, EPDM (std) Kv 59				9613168601	
	1	Plug, complete, ISO, EPDM (std) Kv 250					9613158906
	1	Plug, complete, ISO, EPDM (std) Kv 125					9613168602
	1	Plug, complete, ISO, EPDM (std) Kv 164					9613168603
	1	Plug, complete, DIN, EPDM (std) Kv 14	9613158907				
	1	Plug, complete, DIN, EPDM (std) Kv 44	9613158908				
	1	Plug, complete, DIN, EPDM (std) Kv 16	9613168509				
	1	Plug, complete, DIN, EPDM (std) Kv 25	9613168510				
	1	Plug, complete , DIN, EPDM (std) Kv 75		9613158909			
	1	Plug, complete , DIN, EPDM (std) Kv 9		9613168511			
	1	Plug, complete, DIN, EPDM (std) Kv 30		9613168512			
	1	Plug, complete, DIN, EPDM (std) Kv 51		9613168513			
	1	Plug, complete, DIN, EPDM (std) Kv 107			9613158910		
	1	Plug, complete, DIN, EPDM (std) Kv 26			9613168515		
	1	Plug, complete, DIN, EPDM (std) Kv 172				9613158911	
	1	Plug, complete, DIN, EPDM (std) Kv 101				9613168516	
	1	Plug, complete, DIN, EPDM (std) Kv 59				9613168604	
	1	Plug, complete, DIN, EPDM (std) Kv 250					9613158912
	1	Plug, complete, DIN, EPDM (std) Kv 125					9613168605
	1	Plug, complete, DIN, EPDM (std) Kv 164					9613168606

1.9



Pos	Qty	Denomination	DN40 38 mm	DN50 51 mm	DN65 63.5mm	DN80 76.1 mm	DN100 101.6 mm
23	1	Plug, complete, ISO, HNBR Kv 14	9613158913				
	1	Plug, complete, ISO, HNBR Kv 44	9613158914				
	1	Plug, complete, ISO, HNBR Kv 16	9613168517				
	1	Plug, complete, ISO, HNBR Kv 25	9613168518				
	1	Plug, complete, ISO, HNBR Kv 75		9613158915			
	1	Plug, complete, ISO, HNBR Kv 9		9613168519			
	1	Plug, complete, ISO, HNBR Kv 30		9613168520			
	1	Plug, complete, ISO, HNBR Kv 51		9613168521			
	1	Plug, complete, ISO, HNBR Kv 107			9613158916		
	1	Plug, complete, ISO, HNBR Kv 26			9613168523		
	1	Plug, complete, ISO, HNBR Kv 172				9613158917	
	1	Plug, complete, ISO, HNBR Kv 101				9613168524	
	1	Plug, complete, ISO, HNBR Kv 59				9613168607	
	1	Plug, complete, ISO, HNBR Kv 250					9613158918
	1	Plug, complete, ISO, HNBR Kv 125					9613168608
	1	Plug, complete, ISO, HNBR Kv 164					9613168609
	1	Plug, complete, DIN, HNBR Kv 14	9613158919				
	1	Plug, complete, DIN, HNBR Kv 44	9613158920				
	1	Plug, complete, DIN, HNBR Kv 16	9613168525				
	1	Plug, complete, DIN, HNBR Kv 25	9613168526				
	1	Plug, complete, DIN, HNBR Kv 75		9613158921			
	1	Plug, complete, DIN, HNBR Kv 9		9613168527			
	1	Plug, complete, DIN, HNBR Kv 30		9613168528			
	1	Plug, complete, DIN, HNBR Kv 51		9613168529			
	1	Plug, complete, DIN, HNBR Kv 107			9613158922		
	1	Plug, complete, DIN, HNBR Kv 26			9613168531		
	1	Plug, complete, DIN, HNBR Kv 172				9613158923	
	1	Plug, complete, DIN, HNBR Kv 101				9613168532	
	1	Plug, complete, DIN, HNBR Kv 59				9613168610	
	1	Plug, complete, DIN, HNBR Kv 250					9613158924
	1	Plug, complete, DIN, HNBR Kv 125					9613168611
	1	Plug, complete, DIN, HNBR Kv 164					9613168612
	1	Plug, complete, ISO, FPM Kv 14	9613158925				
	1	Plug, complete, ISO, FPM Kv 44	9613158926				
	1	Plug, complete, ISO, FPM Kv 16	9613168533				
	1	Plug, complete, ISO, FPM Kv 25	9613168534				
	1	Plug, complete, ISO, FPM Kv 75		9613158927			
	1	Plug, complete, ISO, FPM Kv 9		9613168535			
	1	Plug, complete, ISO, FPM Kv 30		9613168536			
	1	Plug, complete, ISO, FPM Kv 51		9613168537			
	1	Plug, complete, ISO, FPM Kv 107			9613158928		
	1	Plug, complete, ISO, FPM Kv 26			9613168539		
	1	Plug, complete, ISO, FPM Kv 172				9613158929	
	1	Plug, complete, ISO, FPM Kv 101				9613168540	
	1	Plug, complete, ISO, FPM Kv 59				9613168613	
	1	Plug, complete, ISO, FPM Kv 250					9613158930
	1	Plug, complete, ISO, FPM Kv 125					9613168614
	1	Plug, complete, ISO, FPM Kv 164					9613168615
	1	Plug, complete, DIN, FPM Kv 14	9613158931				
	1	Plug, complete, DIN, FPM Kv 44	9613158932				
	1	Plug, complete, DIN, FPM Kv 16	9613168541				
	1	Plug, complete, DIN, FPM Kv 25	9613168542				
	1	Plug, complete, DIN, FPM Kv 75		9613158933			
	1	Plug, complete, DIN, FPM Kv 9		9613168543			
	1	Plug, complete, DIN, FPM Kv 30		9613168544			
	1	Plug, complete, DIN, FPM Kv 51		9613168545			
	1	Plug, complete, DIN, FPM Kv 107			9613158934		
	1	Plug, complete, DIN, FPM Kv 26			9613168547		
	1	Plug, complete, DIN, FPM Kv 172				9613158935	
	1	Plug, complete, DIN, FPM Kv 101				9613168548	
	1	Plug, complete, DIN, FPM Kv 59				9613168616	
	1	Plug, complete, DIN, FPM Kv 250					9613158936
	1	Plug, complete, DIN, FPM Kv 125					9613168617
	1	Plug, complete, DIN, FPM Kv 164					9613168618

1.9



Pos	Qty	Denomination	DN40 38 mm	DN50 51 mm	DN65 63.5mm	DN80 76.1 mm	DN100 101.6 mm
23.1	1	Plug , ISO, Kv 14	9613158801				
	1	Plug, ISO, Kv 44	9613158802				
	1	Plug, ISO, Kv 16	9613165001				
	1	Plug, ISO, Kv 25	9613165002				
	1	Plug, DIN, Kv 14	9613158807				
	1	Plug, DIN, Kv 44	9613158808				
	1	Plug , DIN, Kv 16	9613165009				
	1	Plug, DIN, Kv 25	9613165010				
	1	Plug, ISO, Kv 75		9613158803			
	1	Plug, ISO, Kv 9		9613165003			
	1	Plug, ISO, Kv 30		9613165004			
	1	Plug, ISO, Kv 51		9613165005			
	1	Plug, DIN, Kv 75		9613158809			
	1	Plug, DIN, Kv 9		9613165011			
	1	Plug, DIN, Kv 30		9613165012			
	1	Plug, DIN, Kv 51		9613165013			
	1	Plug, ISO, Kv 107			9613158804		
	1	Plug, ISO, Kv 26			9613165007		
	1	Plug, DIN, Kv 107			9613158810		
	1	Plug, DIN, Kv 26			9613165015		
	1	Plug, ISO, Kv 172				9613158805	
	1	Plug, ISO, Kv 101				9613165008	
	1	Plug, ISO, Kv 59				9613167001	
	1	Plug, DIN, Kv 172				9613158811	
	1	Plug, DIN, Kv 101				9613165016	
	1	Plug, DIN, Kv 59				9613167004	
	1	Plug, ISO, Kv 250					9613158806
	1	Plug, ISO, Kv 125					9613167002
	1	Plug , ISO, Kv 164					9613167003
	1	Plug, DIN, Kv 250					9613158812
	1	Plug, DIN, Kv 125					9613167005
	1	Plug, DIN, Kv 164					9613167006
	23.2▲ ▲ ▲	1	Plug seal , EPDM (std)				
1		Plug seal , HNBR					
1		Plug seal , FPM					
		Plug seal, set (10 pcs.) EPDM	9614059404	9614059407	9614059410	9614059413	9614059416
	Plug seal, set (10 pcs.) HNBR	9614059405	9614059408	9614059411	9614059414	9614059417	
	Plug seal, set (10 pcs.) FPM	9614059406	9614059409	9614059412	9614059415	9614059418	
		DN40 38 mm	DN50 /51 mm	DN65 63.5mm	DN80 76.1 mm	DN100 101.6 mm	

1.9

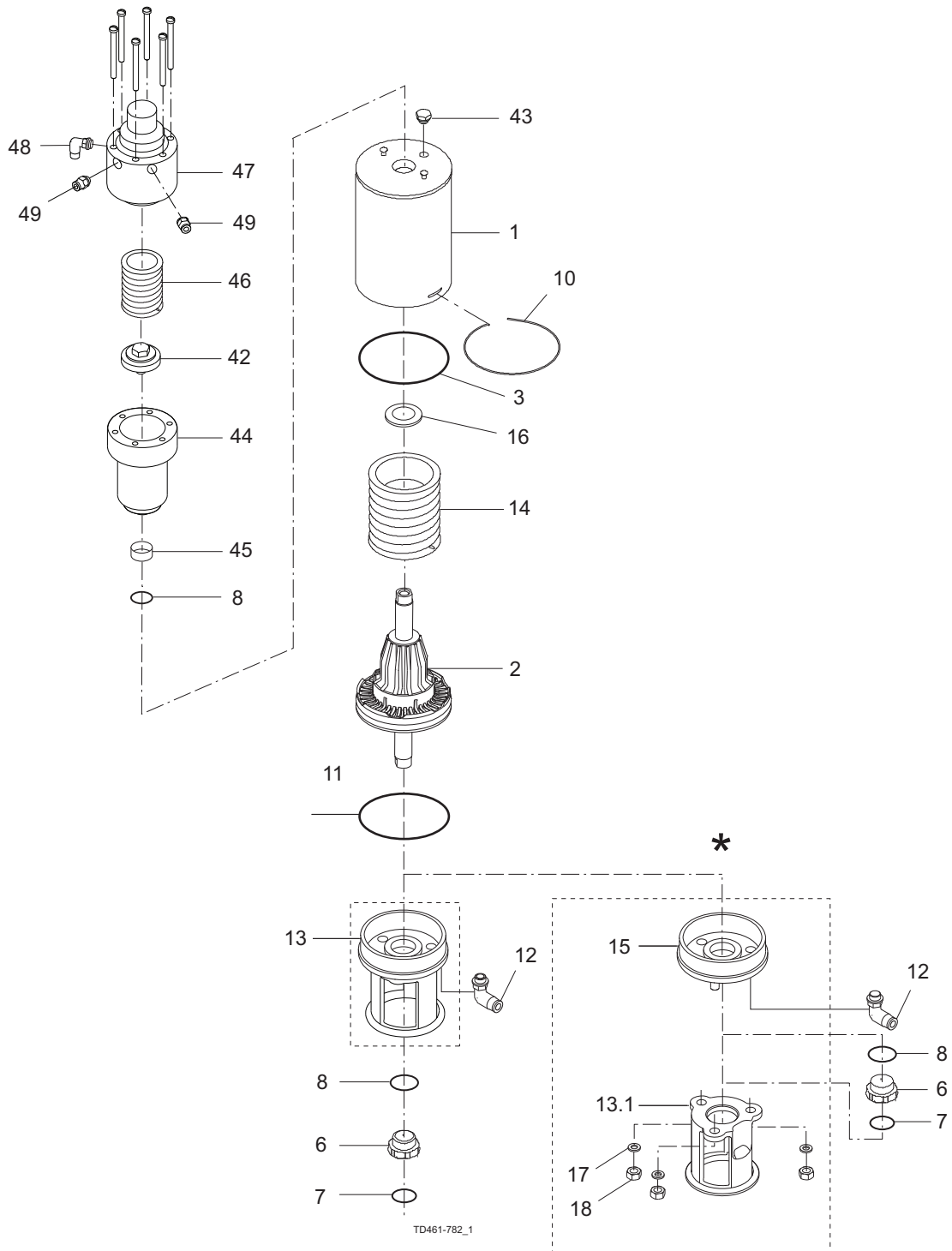
Recommended spare parts: Service kits.

•	Service kit, actuator	9611926737	9611926737	9611926737	9611926737	9611926737
▲	Service kit, EPDM	9611926502	9611926503	9611926504	9611926505	9611926506
▲	Service kit, HNBR	9611926508	9611926509	9611926510	9611926511	9611926512
▲	Service kit, FPM	9611926514	9611926515	9611926516	9611926517	9611926518

Parts marked with • are included in the service kits (actuator)

Parts marked with are ▲ included in the service kits (product wetted parts)

1.9



Pos	Qty	Denomination	DN40	DN50	DN65	DN80	DN100
			38 mm	51 mm	63.5mm	76.1 mm	101.6 mm
		Actuator - complete, (NO)	9613185301	9613185302	9613185303	9613185304	9613185305
		Actuator - complete, (NC)	9613185306	9613185307	9613185308	9613185309	9613185310
1	1	Cylinder	9613142511	9613142512	9613142512	9613142513	9613142513
2	1	Piston	9613132201	9613132301	9613132301	9613132401	9613132401
3	•	O-ring					
5	1	Adapter	9614065301	9614065301	9614065301	9614065301	9614065301
6	•	Bushing					
7	•	O-ring					
8	•	O-ring					
9	1	Plug (NO+NC)	9613414101	9613414101	9613414101	9613414101	9613414101
10	1	Lock wire	9613143201	9613143202	9613143202	9613143203	9613143203
11	•	O-ring					
12	1	Air fitting (NC)	9611991988	9611991988	9611991988	9611991988	9611991988
13	1	Yoke	9613154301	9613154402	9613154502	9613154603	9613154703
14	1	Spring assembly	9613132501	9613132502	9613132502	9613132503	9613132503
16	•	Support disc					
42	1	Spring connection piece	9613435501	9613435502	9613435502	9613435503	9613435503
43	1	Plug (NO)	9611993709	9611993709	9611993709	9611993709	9611993709
44	1	Positioner yoke	9613435201	9613435201	9613435201	9613435201	9613435201
45	•	Guide ring					
46	1	Spring	9634075514	750392	750392	750998	750998
47	1	Positioner , NC	769499	769499	769499	769499	769499
	1	Positioner , NO	769498	769498	769498	769498	769498
48	1	Air fitting (NC)					
49	2	Air fitting (NC+NO)					
Removeable yoke with bolts - OBSOLETE - use position 13							
13.1	1	Yoke (- 0616)					
15	1	Bottom (- 0616)					
17	3	Washer (- 0616)					
18	3	Nut (- 0616)					
			DN40	DN50	DN65	DN80	DN100
			38 mm	51 mm	63.5mm	76.1 mm	101.6 mm

Service Kits

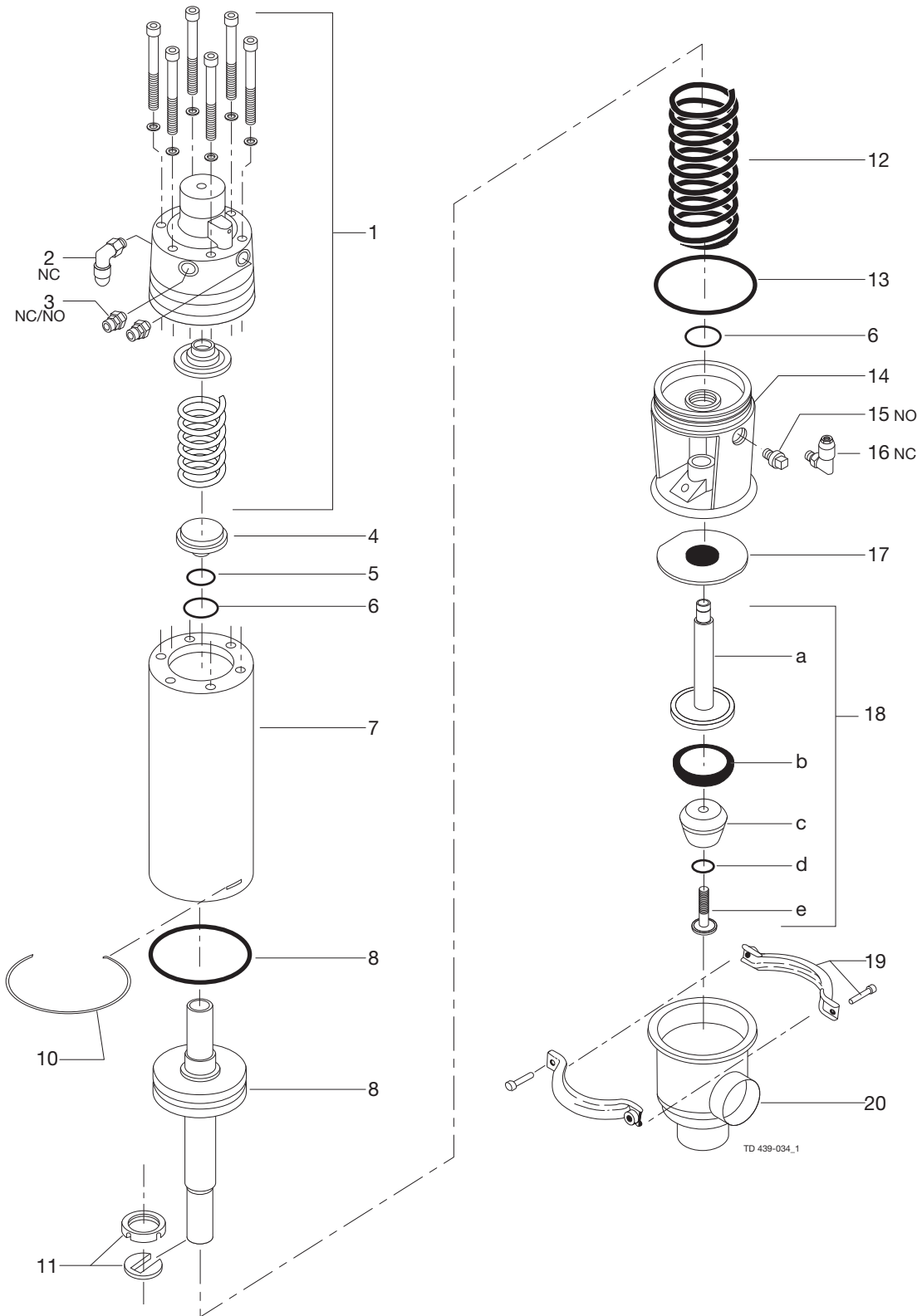
•	Service kit, Actuator	9611926740	9611926741	9611926741	9611926742	9611926742
---	---------------------------------	------------	------------	------------	------------	------------

Parts marked with • are included in the service kits (actuator)

Recommended spare parts: Service kits

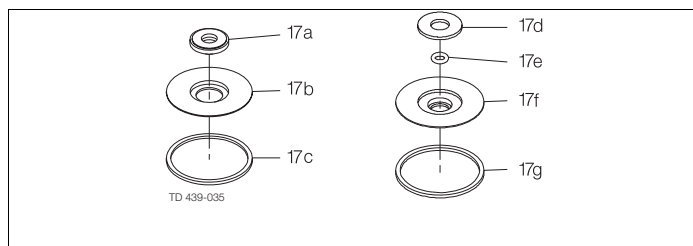
Not manufactured anymore

1.9



NO = Normally Open
NC = Normally Closed

Alternative Stem seal



Special lip seal

Parts for FEP lip seal

Pos	Qty	Denomination	38mm DN40	51mm DN50	63.5mm DN65	76.1mm	DN80	101.6mm DN100
		Actuator complete, NO						
		Actuator complete, NC						
1	1	Valve positioner, NO						
	1	Valve positioner, NC	3135311511	3135311511	3135311511	3135311511	3135311511	3135311511
2	1	Air fitting NC	9611993068	9611993068	9611993068	9611993068	9611993068	9611993068
3	2	Air fitting NO/NC	9611993069	9611993069	9611993069	9611993069	9611993069	9611993069
4	1	Spring support						
5	□ 1	O-ring	9611990038	9611990038	9611990038	9611990038	9611990038	9611990038
6	□ 2	O-ring	22340625	22340625	22340625	22340649	22340649	22340649
7	1	Cylinder						
8	□ 1	O-ring	22340174	22340174	22340174	22340175	22340175	22340175
9	1	Piston	3135306211	3135306211	3135306211	3135306191	3135306191	3135306191
10	□ 1	Lock wire	3135301511	3135301511	3135301511	3135301891	3135301891	3135301891
11	□ 1	Clip complete	3135307931	3135307931	3135307931	3135307932	3135307932	3135307932
12	1	Spring assembly	3135306251	3135306251	3135306251	3135306221	3135306221	3135306221
13	□ 1	O-ring	9611990396	9611990396	9611990396	22340617	22340617	22340617
14	1	Bonnet	3135301331	3135301331	3135301331	3135301901	3135301901	3135301901
15	1	Prop NO						
16	1	Air fitting NC	9611991988	9611991988	9611991988	9611991988	9611991988	9611991988

Pos	Qty	Denomination	38mm DN40	51mm DN50	63.5mm DN65	76.1mm	DN80	101.6mm DN100
17	♦ 1	Lip seal, EPDM	3135301551	3135301551	3135301551	3135301881	3135301881	3135301881
	1	Lip seal, NBR	3135301552	3135301552	3135301552	3135301882	3135301882	3135301882
	1	Lip seal, FPM	3135301553	3135301553	3135301553	3135301883	3135301883	3135301883
18	1	Plug complete, EPDM				3135305231	3135305234	
	1	Plug complete, NBR	3135305202				3135305235	3135305242
	1	Plug complete, FPM	3135305203			3135305233	3135305236	3135305243
18a	1	Plug	3135303401	3135303771	3135303781	3135303411	3135303412	3135303791
18b	♦○ 1	Seal, EPDM	3135303201	3135303211	3135303221	3135303241	9612095001	3135303251
	1	Seal, NBR	3135303202	3135303212	3135303222	3135303242	9612095002	3135303252
	1	Seal, FPM	3135303203	3135303213	3135303223	3135303243	9612095003	3135303253
	1	Packing PTFE	3135312111	3135312121	3135312131	3135312141	3135312251	3135312151
18c	1	Plug head	3135305151	3135305161	3135305171			
18d	♦○ 1	O-ring, EPDM	99003401	99003401	99003401	99003401	99003401	99003401
	1	O-ring, NBR	22340421	22340421	22340421	22340421	22340421	22340421
	1	O-ring, FPM	22340435	22340435	22340435	22340435	22340435	22340435
	1	Seal-ring PTFE	9612433001	9612433001	9612433001	9612433001	9612433001	9612433001
18e	1	Screw	3135305141	3135305141	3135305141	3135305141	3135305141	3135305141

Clamp

19	1	Clamp complete	3132000273	3132000273	3132000273	3132000275	3132000275	3132000275
----	---	--------------------------	------------	------------	------------	------------	------------	------------

Valve body

20	1	Valve body, ISO	3135303751	3135303761	3135303801	3135303811		3135300261
	1	Valve body, DIN	9612094001	9612094101	9612094201		9612094301	9612094401

Alternative for 38 mm plug

18c	1	Plug head Kv 17	3135305321					
18e	1	Screw Kv 17	3135305142					

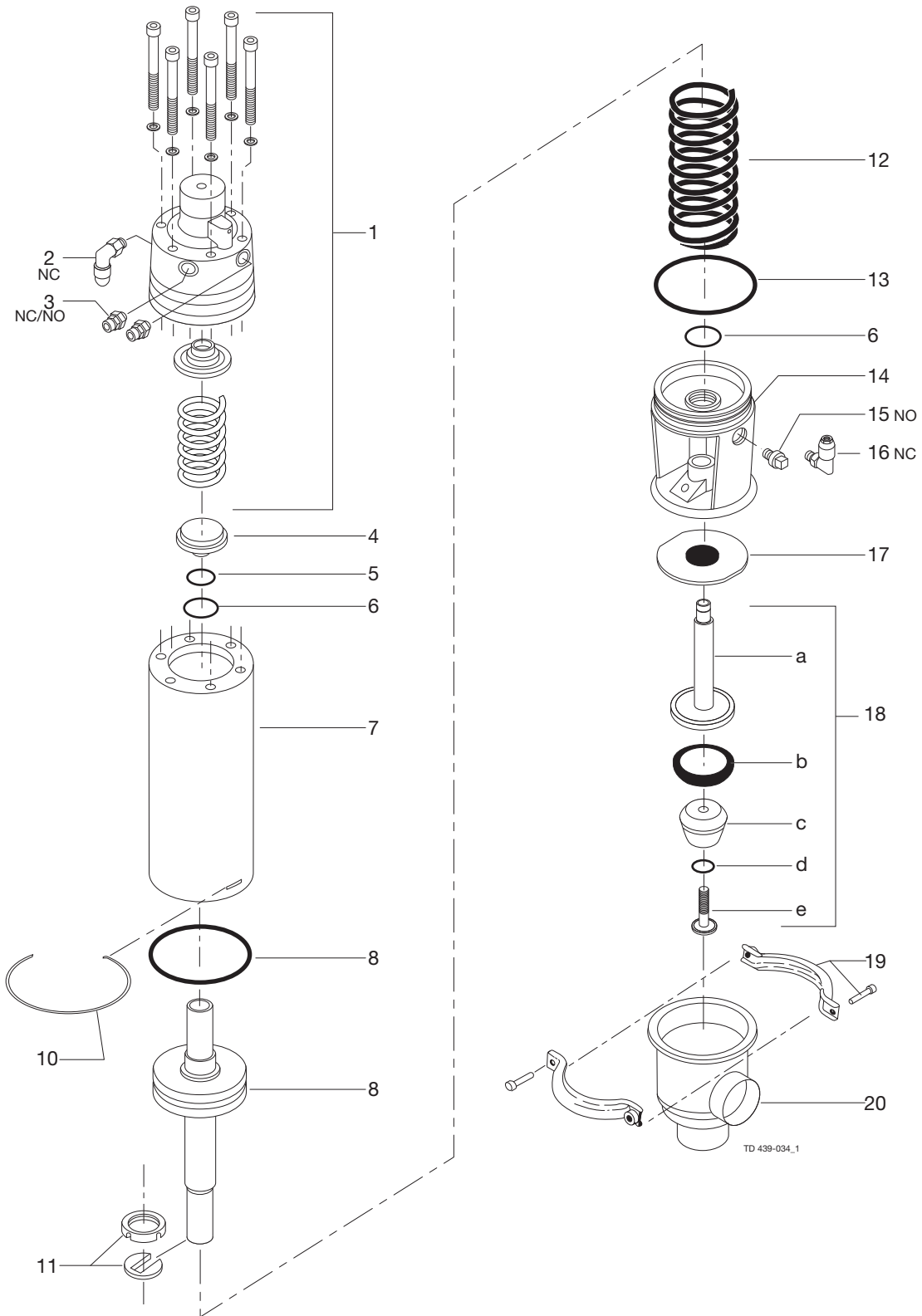
Pos	Qty	Denomination	38mm DN40	51mm DN50	63.5mm DN65	76.1mm	DN80	101.6mm DN100
Valve Body with 0.8 RA finish inside								
10	1	Valve body, ISO	3135303752		3135303802			
	1	Valve body, DIN	9612094003					
Valve Plug with 0.8 RA								
	1	Plug complete, EPDM	3135311121		3135311141	3135311151	3135311154	3135311161
	1	Plug complete, NBR	3135311122	3135311132	3135311142	3135311152	3135311155	3135311162
	1	Plug complete, FPM	3135311123	3135311133	3135311143	3135311153	3135311156	3135311163
18a	1	Plug	3135310071		3135310073	3135310074	3135310078	
18c	1	Plug head	3135311231		3135311251	3135311261	9612098502	3135311271
18e	1	Screw	3135311221	3135311221	3135311221	3135311221	3135311221	3135311221

Alternative for 38 mm plug with 0.8 RA

18c	1	Plug head	3135311341					
18e	1	Screw	3135311222					

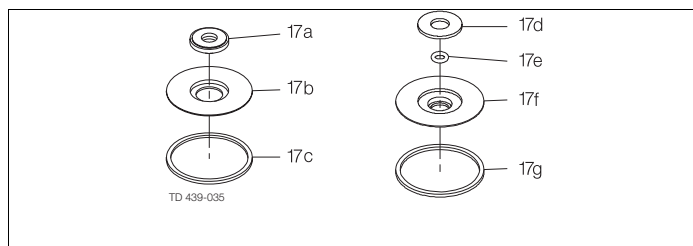
Not manufactured anymore

1.9



NO = Normally Open
NC = Normally Closed

Alternative Stem seal



Special lip seal

Parts for FEP lip seal

Alternatives

Pos	Qty	Denomination	38mm DN40	51mm DN50	63.5mm DN65	76.1mm	DN80	101.6mm DN100
Stem seal								
17	1	Lip seal kit, EPDM (standard) . . .	9611920078	9611920078	9611920078	9611920142	9611920142	9611920142
	1	Lip seal kit, NBR	9611920079	9611920079	9611920079	9611920143	9611920143	9611920143
	1	Lip seal kit, FPM	9611920080	9611920080	9611920080	9611920144	9611920144	9611920144
17a ○	1	Lip seal, EPDM	9612280601	9612280601	9612280601	9612308801	9612308801	9612308801
	1	Lip seal, NBR	9612280602	9612280602	9612280602	9612308802	9612308802	9612308802
	1	Lip seal, FPM	9612280603	9612280603	9612280603	9612308803	9612308803	9612308803
17b	1	Plate	9612280501	9612280501	9612280501	9612308701	9612308701	9612308701
17c ○	1	Seal ring, EPDM	3135301281	3135301281	3135301281	3135302051	3135302051	3135302051
	1	Seal ring, NBR	3135301282	3135301282	3135301282	3135302052	3135302052	3135302052
	1	Seal ring, FPM	3135301283	3135301283	3135301283	3135302053	3135302053	3135302053
Stem seal								
17d	1	Washer	3135304521	3135304521	3135304521	3135304522	3135304522	3135304522
17e ○	1	O-ring FEP/Silicone	9611992909	9611992909	9611992909	9611992910	9611992910	9611992910
17f	1	Holder	3135304531	3135304531	3135304531	3135304541	3135304541	3135304541
17g ○	1	Valve body packing	3135304511	3135304511	3135304511	3135304512	3135304512	3135304512
			38mm DN40	51mm DN50	63.5mm DN65	76.1mm	DN80	101.6mm DN100

1.9

Service Kit for Actuator

□	Service Kit	9611920300	9611920300	9611920300	9611920319	9611920319	9611920319
---	-----------------------	------------	------------	------------	------------	------------	------------

Service Kit for Product wetted parts, standard

♦	Service kit EPDM	9611920010	9611920013	9611920016	9611920019	9611920105	9611920022
♦	Service kit NBR	9611920011	9611920014	9611920017	9611920020	9611920106	9611920023
♦	Service kit FPM	9611920012	9611920015	9611920018	9611920021	9611920107	9611920024

Service Kit for Special Lip Seal

○	Service kit EPDM	9611920447	9611920451	9611920455	9611920459	9611920463	9611920467
○	Service kit NBR	9611920448	9611920452	9611920456	9611920460	9611920464	9611920468
○	Service kit FPM	9611920449	9611920453	9611920457	9611920461	9611920465	9611920469
○	Service kit FEP	9611920450	9611920454	9611920458	9611920462	9611920466	9611920470

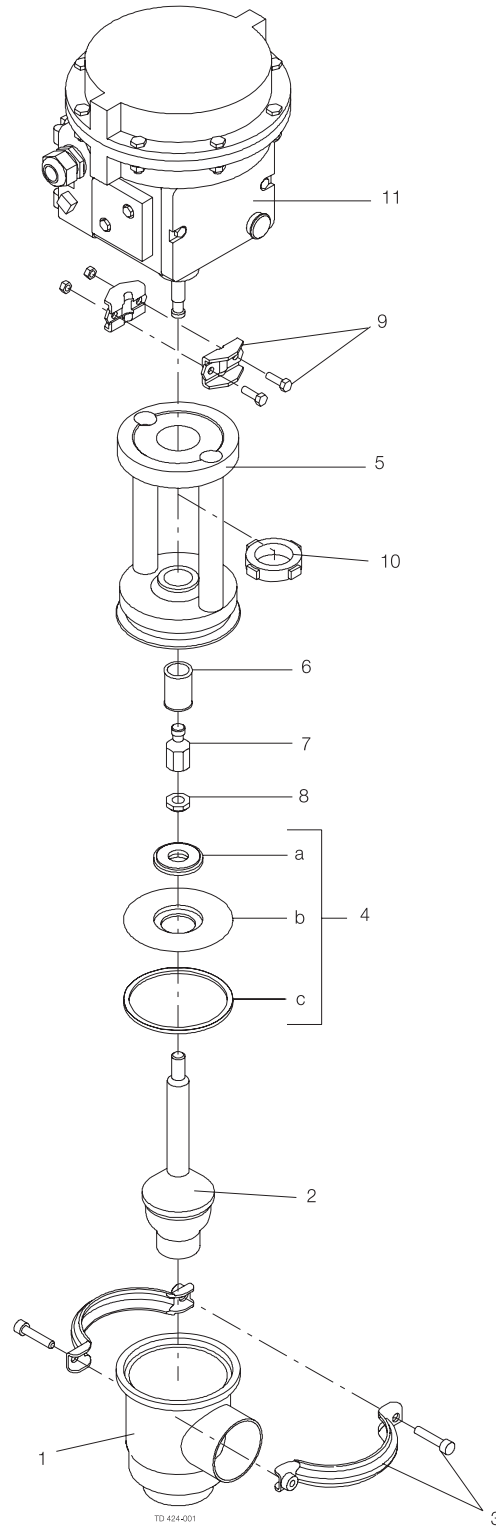
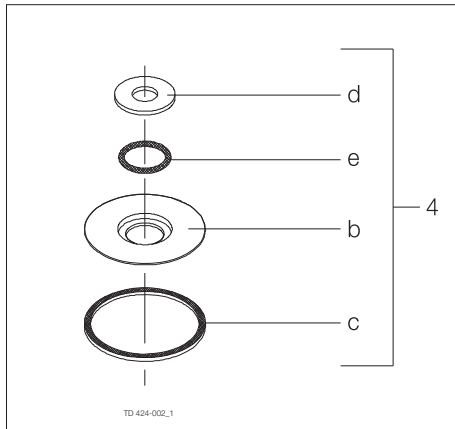
Parts marked with □♦○ are included in the service kits.

Recommended spare parts: Service kits.

Not manufactured anymore

1.9

Parts for PTFE/FEP seal
Alternative Stem seal 2

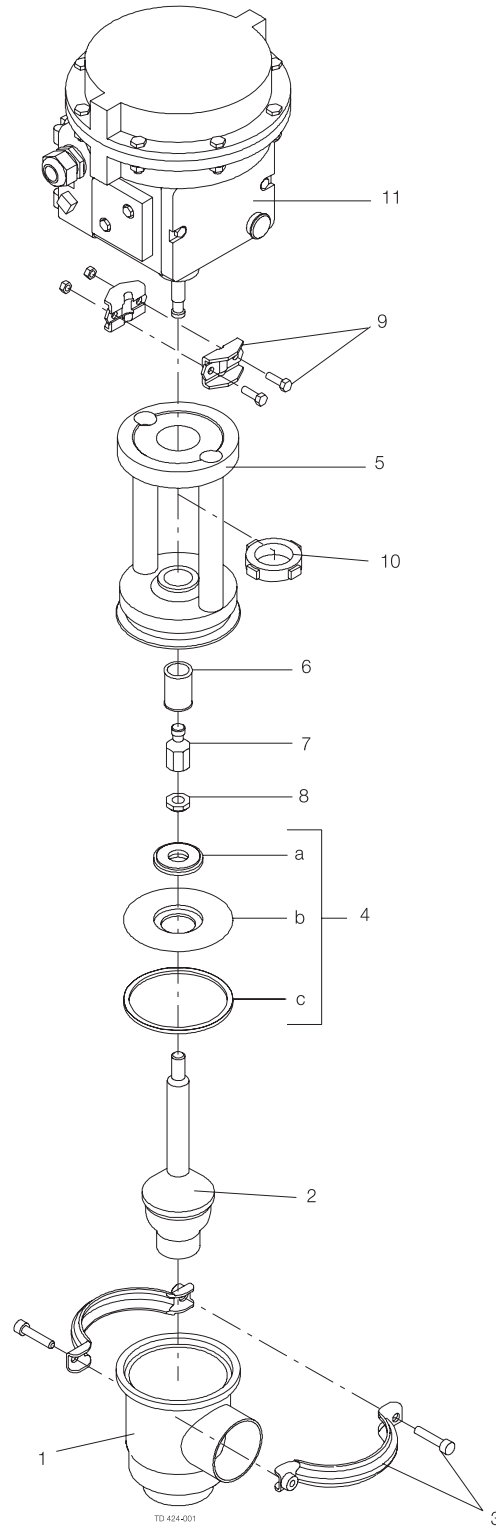
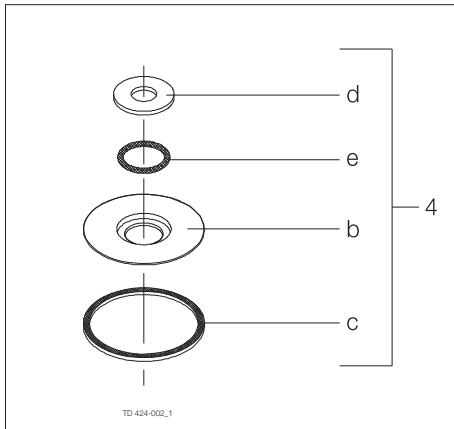


Pos	Qty	Denomination	38 mm DN40	51 mm DN50	63.5 mm DN65	76.1 mm DN80	101.6 mm DN100
1	1	Valve body, Kv 0.5 ISO	9612115501				
	1	Valve body, Kv 0.5 DIN	9612118001				
	1	Valve body, Kv 1 ISO	9612115502				
	1	Valve body, Kv 1 DIN	9612118002				
	1	Valve body, Kv 2 ISO	9612115503				
	1	Valve body, Kv 2 DIN	9612118003				
	1	Valve body, Kv 4 ISO	9612115504				
	1	Valve body, Kv 4 DIN	9612118004				
	1	Valve body, Kv 8 ISO	9612115505				
	1	Valve body, Kv 8 DIN	9612118005				
	1	Valve body, Kv 16 ISO	9612115506				
	1	Valve body, Kv 16 DIN	9612118006				
	1	Valve body, Kv 32 ISO		9612115601			
	1	Valve body, Kv 32 DIN		9612118101			
	1	Valve body, Kv 64 ISO			9612115701		
	1	Valve body, Kv 64 DIN			9612118201		
	1	Valve body, Kv 75 ISO				9612115804	
	1	Valve body, Kv 75 DIN				9612118302	
	1	Valve body, Kv 101 ISO					9612115904
	1	Valve body, Kv 101 DIN					9612118402
2	1	Plug, Kv 0.5 ISO/DIN	9612528201				
	1	Plug, Kv 1 ISO/DIN	9612528301				
	1	Plug, Kv 2 ISO/DIN	9612528401				
	1	Plug, Kv 4 ISO/DIN	9612528501				
	1	Plug, Kv 8 ISO/DIN	9612528601				
	1	Plug, Kv 16 ISO/DIN	9612528701				
	1	Plug, Kv 32 ISO/DIN		9612528801			
	1	Plug, Kv 64 ISO/DIN			9612528901		
	1	Plug, Kv 75 ISO				9612528901	
	1	Plug, Kv 75 DIN				9612528902	
	1	Plug, (Period 0610-) Kv 110 ISO/DIN					9613429001
	1	Plug, NO (Period 9708-0610) Kv 110 ISO/DIN					9613429002
	1	Plug, NC (Period 9708-0610) Kv 110 ISO/DIN					9613429003
3	1	Clamp, complete	3132000273	3132000273	3132000275	3132000275	3132000275
4	1	Lip seal kit, EPDM (standard)	9611920078	9611920078	9611920142	9611920142	9611920142
	1	Lip seal kit, NBR	9611920079	9611920079	9611920143	9611920143	9611920143
	1	Lip seal kit, FPM	9611920080	9611920080	9611920144	9611920144	9611920144
	1	Lip seal kit, PTFE/FEP	9611920445	9611920445	9611920446	9611920446	9611920446
4a □	1	Lip seal, EPDM	9612280601	9612280601	9612308801	9612308801	9612308801
	1	Lip seal, NBR	9612280602	9612280602	9612308802	9612308802	9612308802
	1	Lip seal, FPM	9612280603	9612280603	9612308803	9612308803	9612308803
4b	1	Plate	9612280501	9612280501	9612308701	9612308701	9612308701
	1	Plate, for FEP seal	3135304531	3135304531	3135304541	3135304541	3135304541
4c □	1	Seal ring, EPDM	3135301281	3135301281	3135302051	3135302051	3135302051
	1	Seal ring, NBR	3135301282	3135301282	3135302052	3135302052	3135302052
	1	Seal ring, FPM	3135301283	3135301283	3135302053	3135302053	3135302053
	1	Seal ring, PTFE	3135304511	3135304511	3135304512	3135304512	3135304512
4d	1	Washer	3135304521	3135304521	3135304522	3135304522	3135304522
4e □	1	O-ring, FEP	9611992909	9611992909	9611992910	9611992910	9611992910
5	1	Bonnet complete	9612533101	9612533101	9612533102	9612533102	9612533102
6 □	1	Guide ring	9612358601	9612358601	9612358604	9612358604	9612358604
7	1	Valve plug adjuster	9612534001	9612534001	9612534001	9612534001	
	1	Valve plug adjuster, NO (Thread:M20) (Period 0610-)					9613428901
	1	Valve plug adjuster, NC (Thread:M20) (Period 0610-)					9613431301
	1	Valve plug adjuster, NO (Thread:M10) (Period 9708-0610)					9612534001
	1	Valve plug adjuster, NC (Thread:M10) (Period 9708-0610)					9612534002
8	1	Lock nut, (Thread:M10)	9612534101	9612534101	9612534101	9612534101	
	1	Lock nut, (Thread:M20) (Period 0610-)					9611994727
	1	Lock nut, (Thread:M10) (Period 9708-0610)					9612534101
9	1	Clamp fitting	9612534201	9612534201	9612534201	9612534201	
	1	Clamp fitting, NO					9612534201
	1	Clamp fitting, NC					9612534202
10	1	Striking nut	9612533901	9612533901	9612533901	9612533901	9612533901
11	1	Actuator complete, NO pos. type 3760	9612533601	9612533601	9612533601	9612533601	9612533601
	1	Actuator complete, NC pos. type 3760	9612533602	9612533602	9612533602	9612533602	9612533603
	1	Actuator complete, NO pos. type 3730-2	9612533606	9612533606	9612533606	9612533606	9612533606

Not manufactured anymore

1.9

Parts for PTFE/FEP seal
Alternative Stem seal 2



	38 mm DN40	51 mm DN50	63.5 mm DN65	76.1 mm DN80	101.6 mm DN100
Service kit for Product wetted parts					
Service kit EPDM	9611920419	9611920419	9611920423	9611920423	9611920423
Service kit NBR	9611920420	9611920420	9611920424	9611920424	9611920424
Service kit FPM	9611920421	9611920421	9611920425	9611920425	9611920425
Service kit PTFE/FEP	9611920422	9611920422	9611920426	9611920426	9611920426

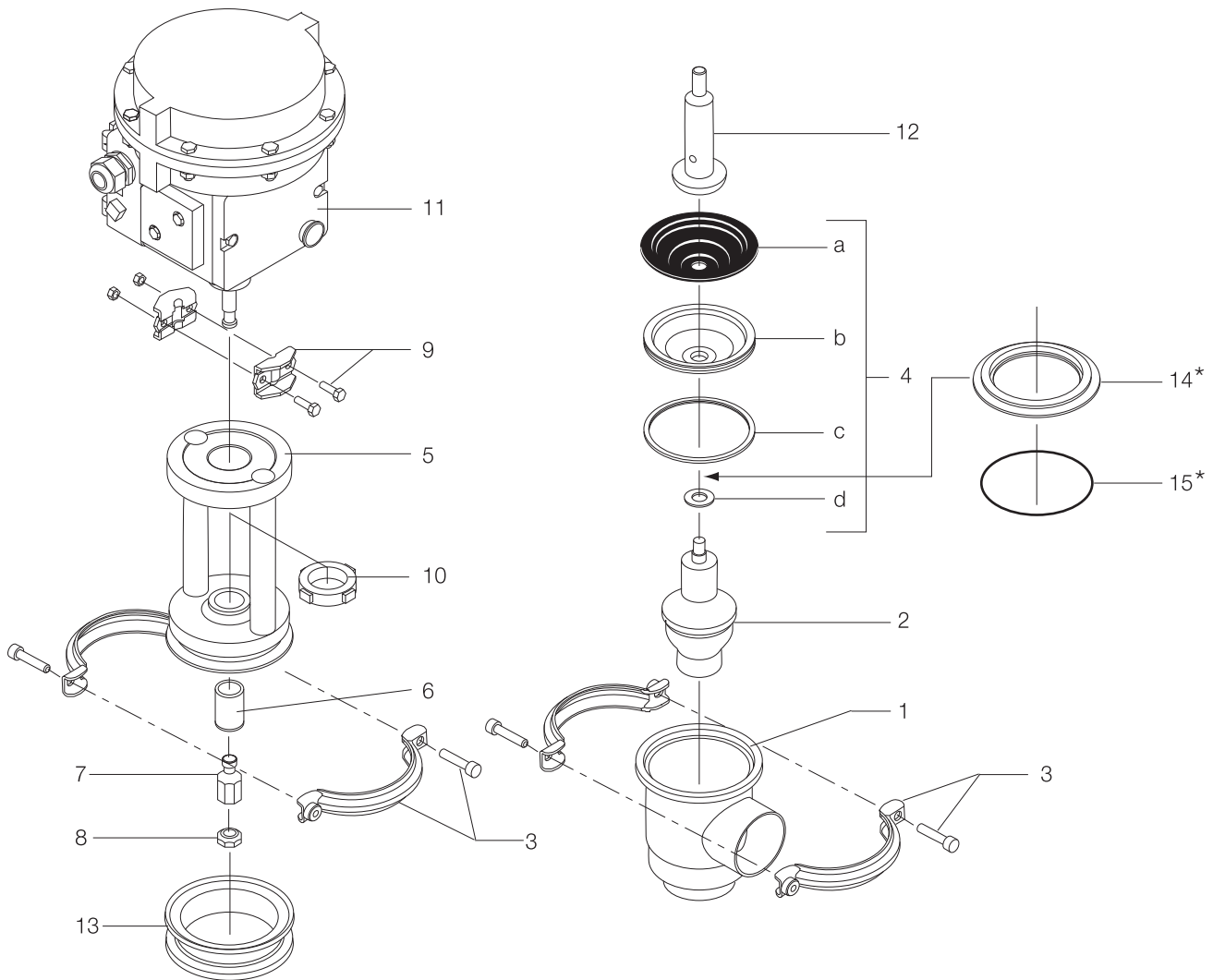
Parts marked with □ are included in the Service kits.

Recommended Spare Parts: Service kits.

TD 900-402/2

Not manufactured anymore

1.9

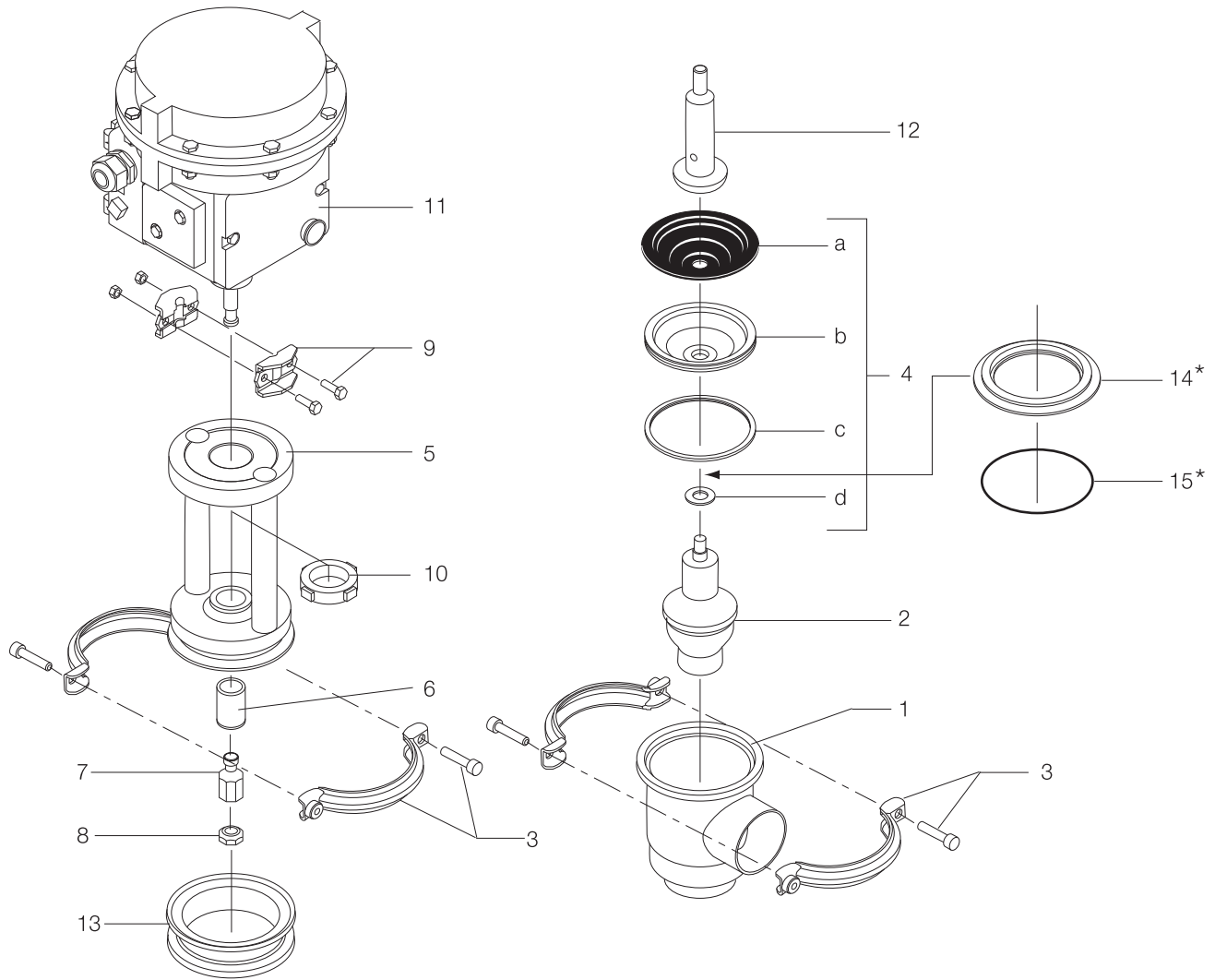


TD 424-003_1

* = only for 63.5-76.1mm/DN65/80

Pos	Qty	Denomination	38 mm DN40	51 mm DN50	63.5 mm DN65	76.1 mm DN80
1	1	Valve body, Kv 0.5 ISO	9612115501			
	1	Valve body, Kv 0.5 DIN	9612118001			
	1	Valve body, Kv 1 ISO	9612115502			
	1	Valve body, Kv 1 DIN	9612118002			
	1	Valve body, Kv 2 ISO	9612115503			
	1	Valve body, Kv 2 DIN	9612118003			
	1	Valve body, Kv 4 ISO	9612115504			
	1	Valve body, Kv 4 DIN	9612118004			
	1	Valve body, Kv 8 ISO	9612115505			
	1	Valve body, Kv 8 DIN	9612118005			
	1	Valve body, Kv 16 ISO	9612115506			
	1	Valve body, Kv 16 DIN	9612118006			
	1	Valve body, Kv 32 ISO		9612115601		
	1	Valve body, Kv 32 DIN		9612118101		
	1	Valve body, Kv 64 ISO			9612115701	
	1	Valve body, Kv 64 DIN			9612118201	
	1	Valve body, Kv 75 ISO				9612115804
	1	Valve body, Kv 75 DIN				9612118302
	1	Valve body, Kv 101 ISO				
	1	Valve body, Kv 101 DIN				
2	1	Plug, Kv 0.5 ISO	9612118701			
	1	Plug, Kv 0.5 DIN	9612118701			
	1	Plug, Kv 1 ISO	9612118801			
	1	Plug, Kv 1 DIN	9612118801			
	1	Plug, Kv 2 ISO	9612118901			
	1	Plug, Kv 2 DIN	9612118901			
	1	Plug, Kv 4 ISO	9612119001			
	1	Plug, Kv 4 DIN	9612119001			
	1	Plug, Kv 8 ISO	9612119101			
	1	Plug, Kv 8 DIN	9612119101			
	1	Plug, Kv 16 ISO	9612119201			
	1	Plug, Kv 16 DIN	9612119201			
	1	Plug, Kv 32 ISO		9612119401		
	1	Plug, Kv 32 DIN		9612119401		
	1	Plug, Kv 64 ISO			9612119601	
	1	Plug, Kv 64 DIN			9612119601	
	1	Plug, Kv 75 ISO				9612119601
	1	Plug, Kv 75 DIN				
	1	Plug, Kv 110 ISO				
	1	Plug, Kv 110 DIN				
3	2	Clamp complete	3132000273	3132000273	3132000275	3132000275
4	1	Diaphragm set, PTFE/EPDM (complete replacement recommended)	9611920001	9611920001	9611920007	9611920007
	1	Diaphragm set, PTFE/NBR	9611920081	9611920081	9611920083	9611920083
	1	Diaphragm set, PTFE/FPM	9611920082	9611920082	9611920084	9611920084
4a	□	Diaphragm support, EPDM	3135308161	3135308161	3135308162	3135308162
4b	□	Diaphragm PTFE	3135308201	3135308201	3135308202	3135308202
4c	□	L-seal, EPDM (standard)	3135308171	3135308171	3135308171	3135308171
	1	L-seal, NBR	3135308172	3135308172	3135308172	3135308172
	1	L-seal, FPM	3135308173	3135308173	3135308173	3135308173
4d	□	Stem seal, EPDM (standard)	3135308181	3135308181	3135308182	3135308182
	1	Stem seal, NBR	3135308183	3135308183	3135308184	3135308184
	1	Stem seal, FPM	3135308185	3135308185	3135308186	3135308186
5	1	Bonnet complete	9612533101	9612533101	9612533102	9612533102
6	□	Guide ring	9612358601	9612358601	9612358604	9612358604
7	1	Valve plug adjuster	9612534001	9612534001	9612534001	9612534001
8	1	Lock nut	9612534101	9612534101	9612534101	9612534101
9	1	Clamp fitting	9612534201	9612534201	9612534201	9612534201
10	1	Striking nut	9612533901	9612533901	9612533901	9612533901
11	1	Actuator complete, NO	9612533601	9612533601	9612533601	9612533601
	1	Actuator complete, NC	9612533602	9612533602	9612533602	9612533602
12	1	Stem, upper	9612527401	9612527401	9612527501	9612527501
13	1	Intermediate piece	3135308133	3135308133	3135308403	3135308403
14	1	Diaphragm ring			3135308411	3135308411
15	□	Seal ring, EPDM (standard)			3135302051	3135302051
	1	Seal ring, NBR			3135302052	3135302052
	1	Seal ring, FPM			3135302053	3135302053

1.9



TD 424-003_1

* = only for 63.5-76.1mm/DN65/80

38 - 51 mm 63.5 - 76.1 mm
 DN40 - DN50 DN65 - DN80

Service kit for Product wetted parts

Service kit EPDM	9611920427	9611926430
Service kit NBR	9611920428	9611926431
Service kit FPM	9611920429	9611926432

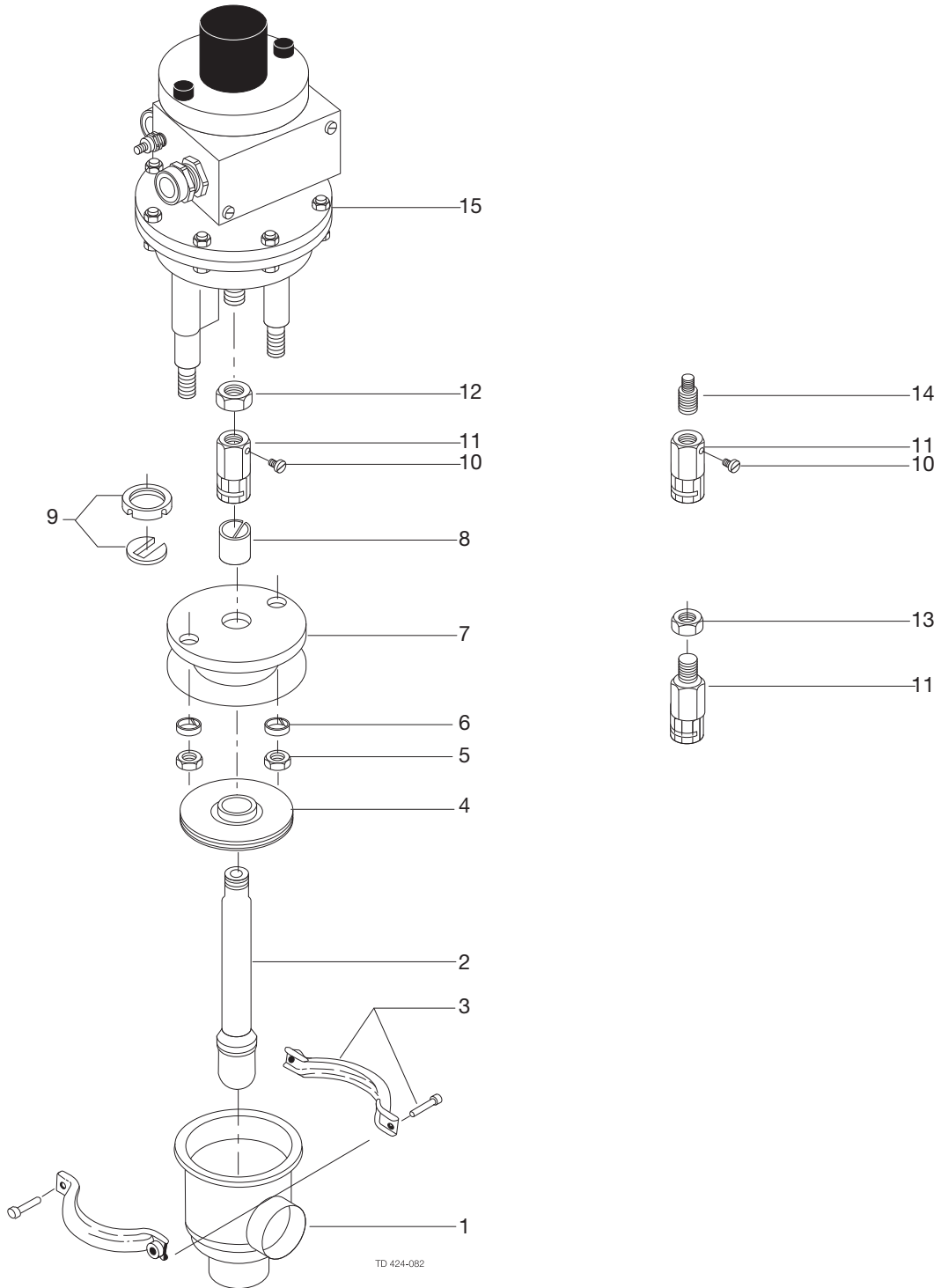
Parts marked with □ are included in the Service kits.

Recommended Spare Parts: Service kits.

TD 900-403/2

Not manufactured anymore

1.9



Pos	Qty	Denomination	38 mm NW40	51 mm NW50	63.5 mm NW65	76 mm NW80	101.6 mm NW100
1	1	Valve body, Kv 0.5, ISO	9612115501				
	1	Valve body, Kv 0.5, DIN	9612118001				
	1	Valve body, Kv 1, ISO	9612115502				
	1	Valve body, Kv 1, DIN	9612118002				
	1	Valve body, Kv 2, ISO	9612115503				
	1	Valve body, Kv 2, DIN	9612118003				
	1	Valve body, Kv 4, ISO	9612115504				
	1	Valve body, Kv 4, DIN	9612118004				
	1	Valve body, Kv 8, ISO	9612115505				
	1	Valve body, Kv 8, DIN	9612118005				
	1	Valve body, Kv 16, ISO	9612115506				
	1	Valve body, Kv 16, DIN	9612118006				
	1	Valve body, Kv 32, ISO		9612115601			
	1	Valve body, Kv 32, DIN		9612118101			
	1	Valve body, Kv 64L, ISO			9612115701		
	1	Valve body, Kv 64L, DIN			9612118201		
	1	Valve body, Kv 75L, ISO				9612115804	
	1	Valve body, Kv 75L, DIN				9612118302	
	1	Valve body, Kv 110L, ISO					9612115904
	1	Valve body, Kv 110L, DIN					9612118402
2	1	Plug, Kv 0.5	9612114401				
	1	Plug, Kv 1	9612114402				
	1	Plug, Kv 2	9612114403				
	1	Plug, Kv 4	9612114404				
	1	Plug, Kv 8	9612114405				
	1	Plug, Kv 16	9612114406				
	1	Plug, Kv 32		9612114408			
	1	Plug, Kv 64L			9612114410		
	1	Plug, Kv 75L (76.1 mm)				9612114410	
	1	Plug, Kv 75L (DN 80)				9612114417	
	1	Plug, Kv 110L					9612114416
3	1	Clamp complete	9611311054	9611311054	9611311055	9611311055	9611311055
4	▲	Lip seal, EPDM (standard)	3135301551	3135301551	3135301881	3135301881	3135301881
	1	Lip seal, NBR	3135301552	3135301552	3135301882	3135301882	3135301882
	1	Lip seal, FPM	3135301553	3135301553	3135301883	3135301883	3135301883
5	2	Nut, IP 37	9611990360	9611990360			
	3	Nut, IP 38			9611990353	9611990353	9611990353
6	2	Spring washer, IP 37	9611991888	9611991888			
	2	Spring washer, IP 38			9611991887	9611991887	9611991887
7	1	Bonnet					
8	▲	Guide ring	9611992510	9611992510	9611992528	9611992528	9611992528
9	1	Clip assembly	3135307931	3135307931	3135307931	3135307931	3135307931
10	1	Lock screw	9611992527	9611992527	9611992527	9611992527	9611992527
11	1	Adjustment piece, IP 37, NC					
	1	Adjustment piece, IP 37, NO					
	1	Adjustment piece, IP 38, NC					
	1	Adjustment piece, IP 38, NO					
12	1	Nut, IP 38, NO			99009201	99009201	99009201
13	1	Nut, IP 38, NC					
14	1	Adaptor, IP 37, NC					
15	1	Actuator, (Std.), NO					
	1	Actuator (Kv 0.5-8 for 38 mm), (Std.), NC					
	1	Actuator (Kv 16-32), (Std.), NC					
			38 mm NW40	51 mm NW50	63.5 mm NW65	76 mm NW80	101.6 mm NW100

Service kits

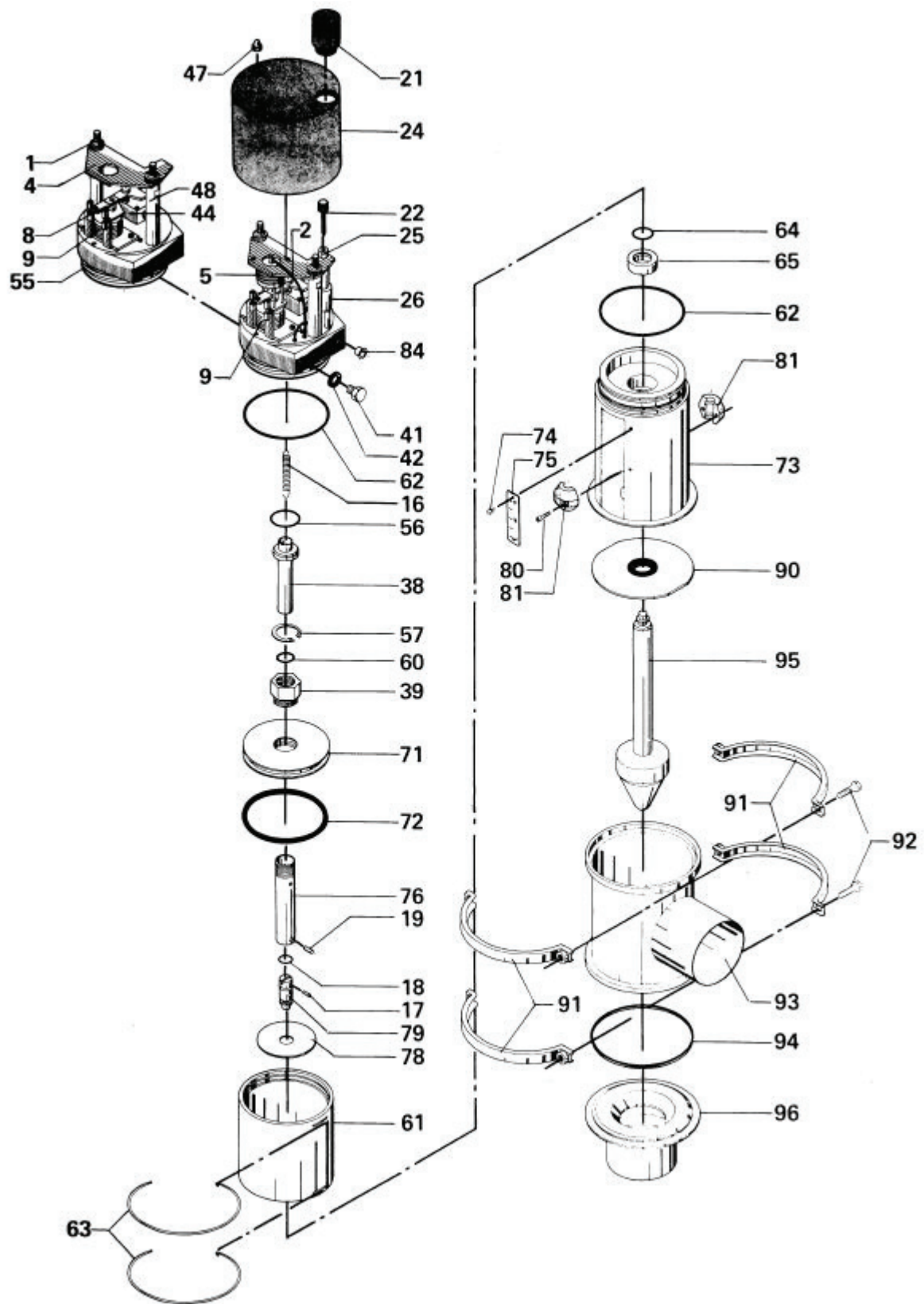
Service kit, EPDM	9611920121	9611920121	9611920122	9611920122	9611920122
Service kit, NBR	9611920123	9611920123	9611920124	9611920124	9611920124
Service kit, FPM	9611920125	9611920125	9611920126	9611920126	9611920126

Parts marked with ▲ are included in the Service kits.

Recommended Spare Parts: Service kits

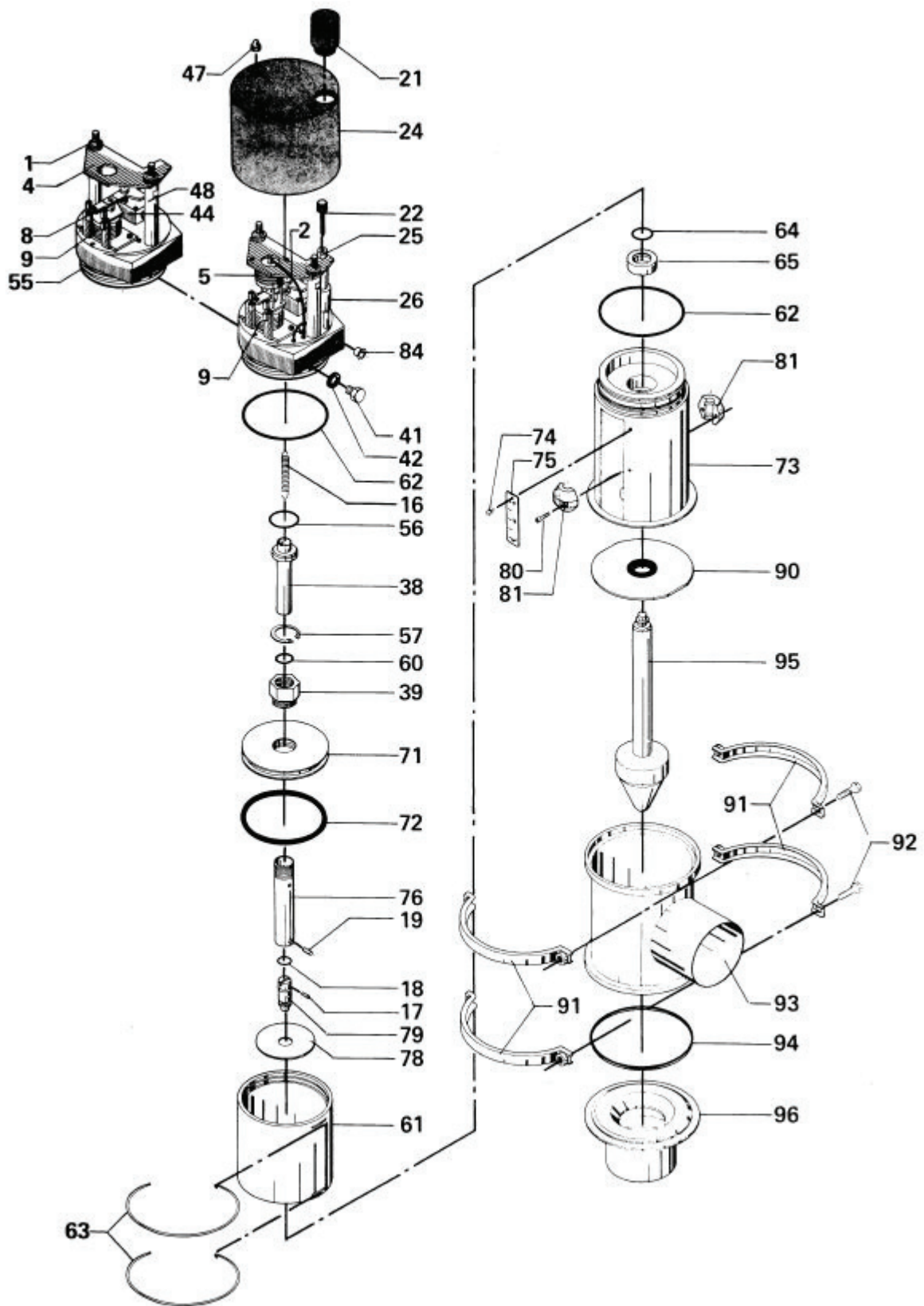
Not manufactured anymore

1.9



Pos	Qty	Denomination	SPC-P	SPC-L
		Actuator, compl. 38-63,5 mm		
		Actuator, compl. 76-101.6 mm		
1	2	Nut, knurled		
2	1	Rubber tube, (actuator end to upper bellows)		
4	1	Bracket for bellows and set, point valve		
5	1	Upper bellows		
8	1	Upper moment lever with flapper		
9	1	Lower bellows with moment lever		
16	1	Feedback spring		
17	1	Locking pin		
18	1	O-ring		
19	1	Locking pin		
21	1	Locking pin		
22	1	Knob with set screw		
24	1	Cover, large		
25	1	Lock nut		
26	1	Set point valve		
38	1	Inner tube		
39	1	Nut for piston		
41	5	Plug		
42	5	Packing		
44	1	Nozzle block		
47	2	Cap nut		
48	2	Stud bolt		
55	1	Upper actuator end		
56	1	O-ring	22340651	22340651
57	1	Lock ring		
60	1	X-ring		
61	1	Cylinder		
62	2	O-ring	22340669	22340669
63	2	Lock wire		
64	1	X-ring		
65	1	Insert		
71	1	Piston		
72	1	X-ring	26016503	26016503
73	1	Bonnet, 38-63,5 mm		
	1	Bonnet, 76-101.6 mm		
74	2	Screw		
75	1	Scale		
76	1	Piston rod		
78	1	Indicator		
79	1	Piston-rod end		
80	2	Screw		
81	2	Clamp half		
84	1	Plug, DBI		

Not manufactured anymore

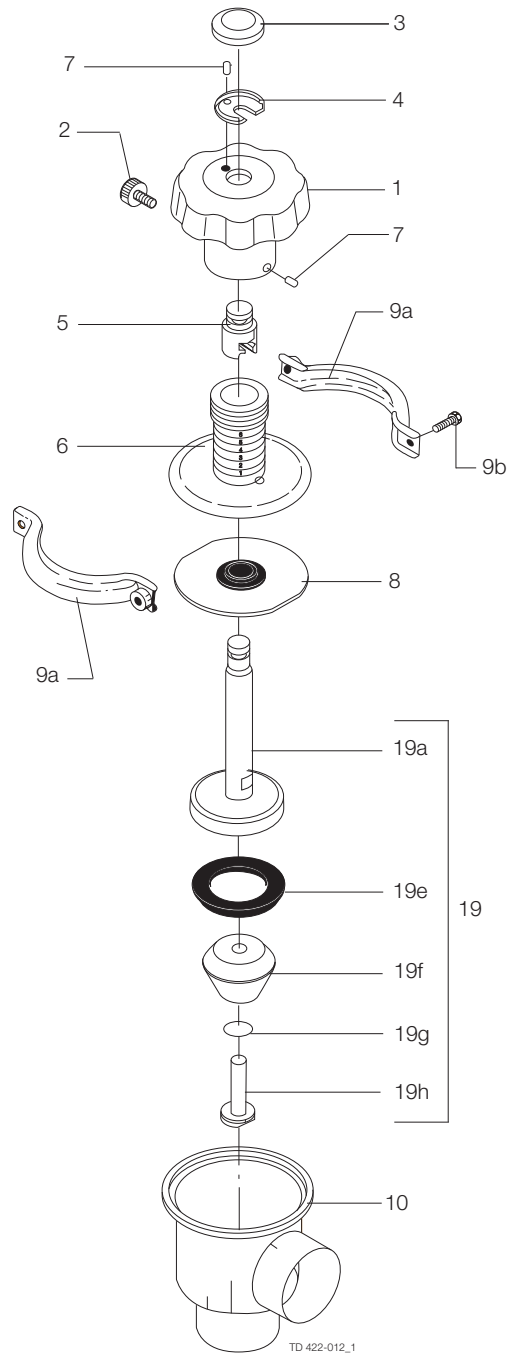


1.9

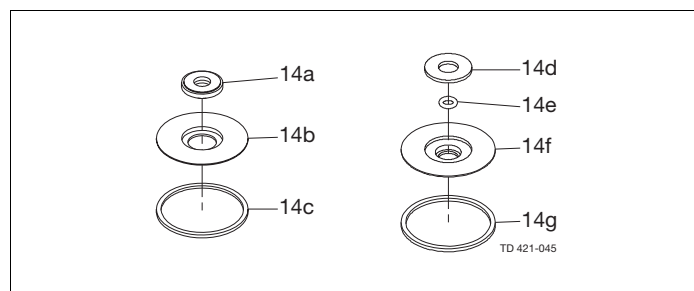
Pos	Qty	Denomination	38 mm	51 mm	63.5 mm	76 mm	101.6 mm
90	1	Lip seal, EPDM (std.)	3135301551	3135301551	3135301551	3135301881	3135301881
	1	Lip seal, NBR	3135301552	3135301552	3135301552	3135301882	3135301882
	1	Lip seal, FPM	3135301553	3135301553	3135301553	3135301883	3135301883
Clamp							
91+92	2	Clamp and screws (Period 9209-)	3132000273	3132000273	3132000273	3132000272	3132000272
Valve bodies							
93	1	Valve body (type W)					
94	1	Packing, EPDM (std.)	3135301281	3135301281	3135301281	3135302051	3135302051
	1	Packing, NBR	3135301282	3135301282	3135301282	3135302052	3135302052
	1	Packing, FPM	3135301283	3135301283	3135301283	3135302053	3135302053
Plug and Seat							
95	1	Plug, Kv 2,5					
	1	Plug, Kv 9					
	1	Plug, Kv 29					
	1	Plug, Kv 51					
	1	Plug, Kv 42					
	1	Plug, Kv 64					
	1	Plug, Kv 64					
	1	Plug, Kv 135					
96	1	Seat, Kv 2,5					
	1	Seat, Kv 9					
	1	Seat, Kv 29					
	1	Seat, Kv 51					
	1	Seat, Kv 42 and 64					
	1	Seat, Kv 64					
1	Seat, Kv 135						

Not manufactured anymore

1.9



Alternatives stem seal



Special lip seal

Parts for FEP lip seal

Operating mechanism

Pos	Qty	Denomination	DN 40	DN 50	DN 65	76 mm	DN 80	DN 100
			38 mm	51 mm	63.5 mm			101.6 mm
	1	Operating mechanism complete .	3135305311	3135305311	3135305311	3135305312	3135305312	3135305312
1	1	Hand wheel	3135305281	3135305281	3135305281	3135305281	3135305281	3135305281
2	1	Lock screw	3135305291	3135305291	3135305291	3135305291	3135305291	3135305291
3	1	Cap	3135304681	3135304681	3135304681	3135304681	3135304681	3135304681
4	1	Washer	3135304671	3135304671	3135304671	3135304671	3135304671	3135304671
5	1	Stem holder	3135304661	3135304661	3135304661	3135304661	3135304661	3135304661
6	1	Guide	3135304591	3135304591	3135304591	3135304601	3135304601	3135304601
7	2	Set screw	22158192	22158192	22158192	22158192	22158192	22158192

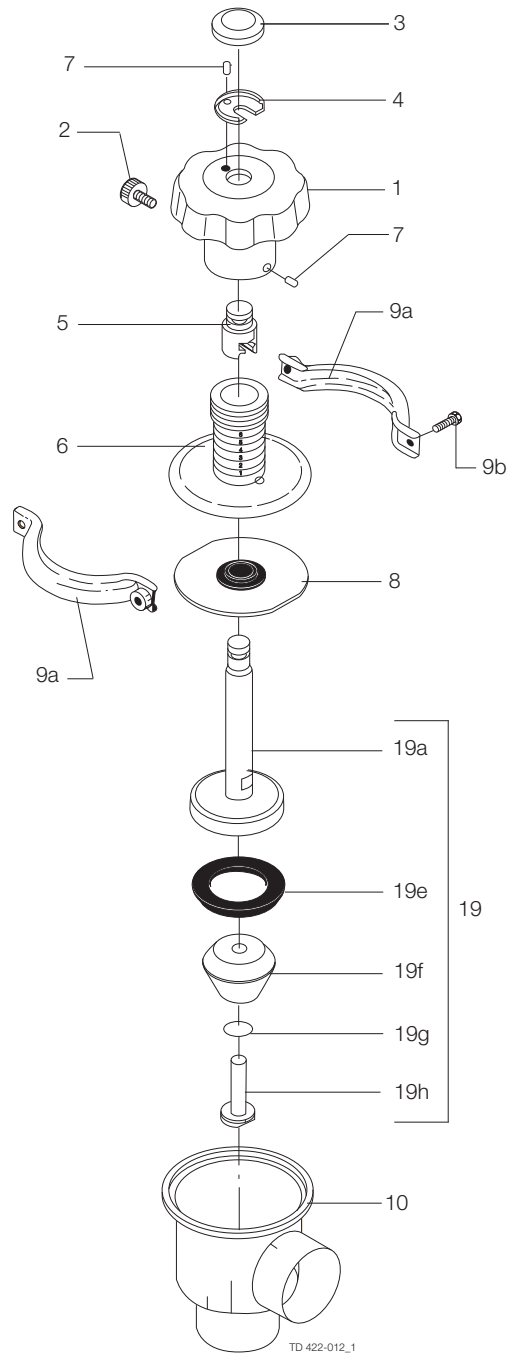
1.9

Valve body part

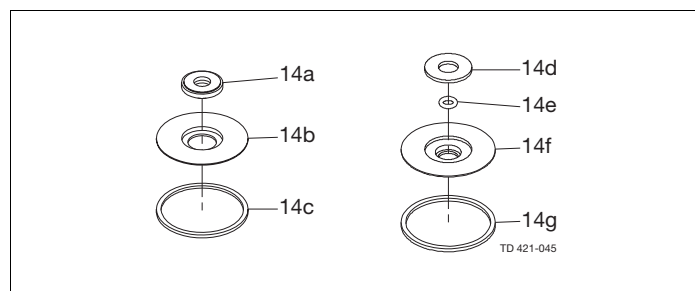
Pos	Qty	Denomination	DN 40	DN 50	DN 65	76 mm	DN 80	DN 100
			38 mm	51 mm	63.5 mm			101.6 mm
Stem seal								
8	□	1 Lip seal, EPDM						
		1 Lip seal, NBR						
		1 Lip seal, FPM						
Clamp								
9a+b	1	Clamps & screws (period 9209-)	3132000271	3132000271	3132000271	3132000272	3132000272	3132000272
9a	2	Clamp half (period -9209)						
9b	2	Screw (period -9209)						
Valve body								
10	1	Valve body, 2 ports ISO	3135303751	3135303761	3135303801	3135303811		3135300261
	1	Valve body, 2 ports DIN	9612094001	9612094101	9612094201		9612094301	9612094401
Valve plug								
19	1	Plug complete, EPDM				3135305231	3135305234	
	1	Plug complete, NBR	3135305202				3135305235	3135305242
	1	Plug complete, FPM	3135305203			3135305233	3135305236	3135305243
	1	Plug complete, EPDM, Kv 17 (option)	3135305204					
19a	1	Stem	3135303401	3135303771	3135303781	3135303411	3135303412	3135303791
19e	□♦	1 Plug seal, EPDM						
		1 Plug seal, NBR						
		1 Plug seal, FPM						
		1 Plug seal, PTFE						
19f	1	Regulating plug, Kv43	3135305151	3135305161	3135305171			
	1	Regulating plug, Kv17-option . . .	3135305321					
19g	□♦	1 O-ring, EPDM						
		1 O-ring, NBR						
		1 O-ring, FPM						
		1 O-ring, PTFE						
19h	1	Screw	3135305141	3135305141	3135305141	3135305141	3135305141	3135305141
	1	Screw, 17Kv (option)	3135305142					

Not manufactured anymore

1.9



Alternatives stem seal



Special lip seal

Parts for FEP lip seal

Alternatives

Pos	Qty	Denomination	DN 40 38 mm	DN 50 51 mm	DN 65 63.5 mm	76 mm	DN 80	DN 100 101.6 mm
Stem seal								
14	1	Lip seal kit, EPDM (standard) . . .	9611920078	9611920078	9611920078	9611920142	9611920142	9611920142
	1	Lip seal kit, NBR	9611920079	9611920079	9611920079	9611920143	9611920143	9611920143
	1	Lip seal kit, FPM	9611920080	9611920080	9611920080	9611920144	9611920144	9611920144
14a ♦	1	Lip seal, EPDM						
	1	Lip seal, NBR						
	1	Lip seal, FPM						
14b	1	Plate	9612280501	9612280501	9612280501	9612308701	9612308701	9612308701
14c ♦	1	Seal ring, EPDM						
	1	Seal ring, NBR						
	1	Seal ring, FPM						
Stem seal								
14d	1	Washer	3135304521	3135304521	3135304521	3135304522	3135304522	3135304522
14e ♦	1	O-ring FEP/Silicone						
14f	1	Holder	3135304531	3135304531	3135304531	3135304541	3135304541	3135304541
14g ♦	1	Seal ring, PTFE						

1.9

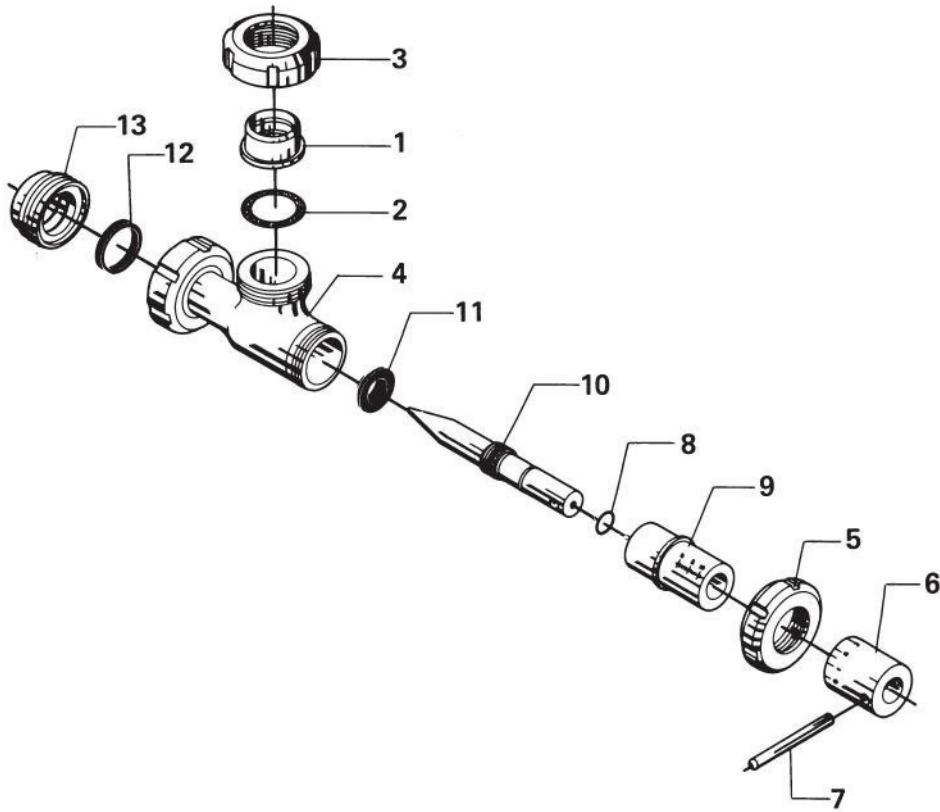
Pos	Qty	Denomination	DN 40 38 mm	DN 50 51 mm	DN 65 63.5 mm	76 mm	DN 80	DN 100 101.6 mm
Valve body with 0.8 RA finish inside								
10	1	Valve body, 2 ports ISO	3135303752		3135303802			
	1	Valve body, 2 ports DIN	9612094003					
Valve plug with 0.8 RA finish								
19	1	Plug complete, EPDM	3135311121		3135311141	3135311151	3135311154	3135311161
	1	Plug complete, NBR	3135311122	3135311132	3135311142	3135311152	3135311155	3135311162
	1	Plug complete, FPM	3135311123	3135311133	3135311143	3135311153	3135311156	3135311163
19a	1	Stem	3135310071		3135310073	3135310074	3135310078	
19f	1	Regulating plug	3135311231		3135311251	3135311261	9612098502	3135311271
19h	1	Screw	3135311221	3135311221	3135311221	3135311221	3135311221	3135311221
Service kit for product wetted parts, standard								
□		Service Kit EPDM	9611920010	9611920013	9611920016	9611920019	9611920105	9611920022
□		Service Kit NBR	9611920011	9611920014	9611920017	9611920020	9611920106	9611920023
□		Service Kit FPM	9611920012	9611920015	9611920018	9611920021	9611920107	9611920024
Service kit for special lip seal								
♦		Service Kit EPDM	9611920447	9611920451	9611920455	9611920459	9611920463	9611920467
♦		Service Kit NBR	9611920448	9611920452	9611920456	9611920460	9611920464	9611920468
♦		Service Kit FPM	9611920449	9611920453	9611920457	9611920461	9611920465	9611920469
♦		Service Kit FEP	9611920450	9611920454	9611920458	9611920462	9611920466	9611920470

Parts marked with □♦ are included in the service kits.

Recommended spare parts: Pos. 3,7 and service kit.

Not manufactured anymore

1.9

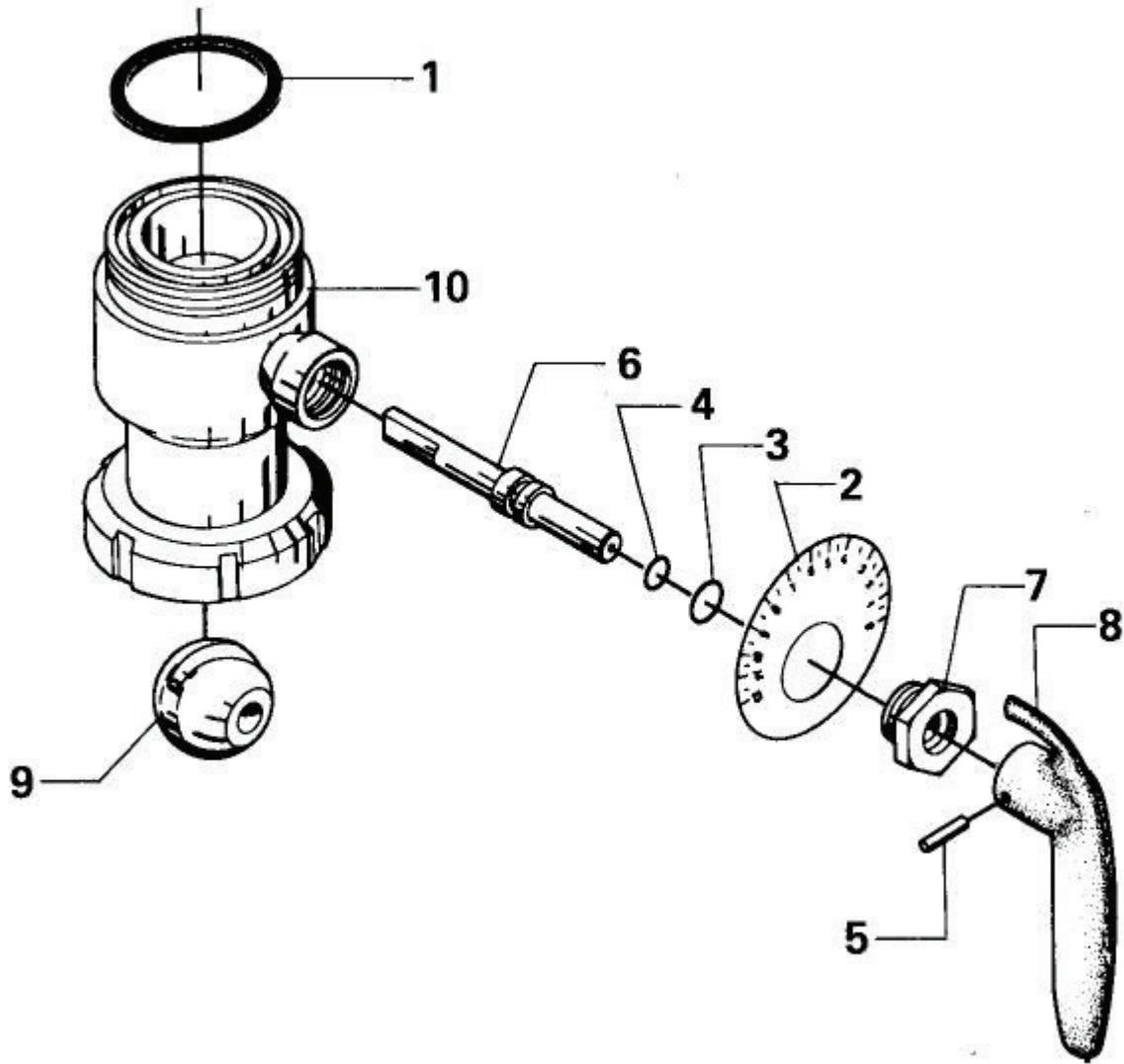


Pos	Qty	Denomination	3135100071
AISI 316			
1	1	Liner	190627
2	1	Seal (teflon)	
3	1	Nut	190613
4	1	Valve body	
5	1	Nut	
6	1	Hand-wheel	
7	1	Pin	
8	1	O-ring	22340440
9	1	Guide spindle	
10	1	Valve spindle	
11	1	Lip seal	22353702
12	1	Seal (NBR)	190601
13	1	Male part	190641

Recommended spare parts: pos. 8, 11, 12.

Not manufactured anymore

1.9

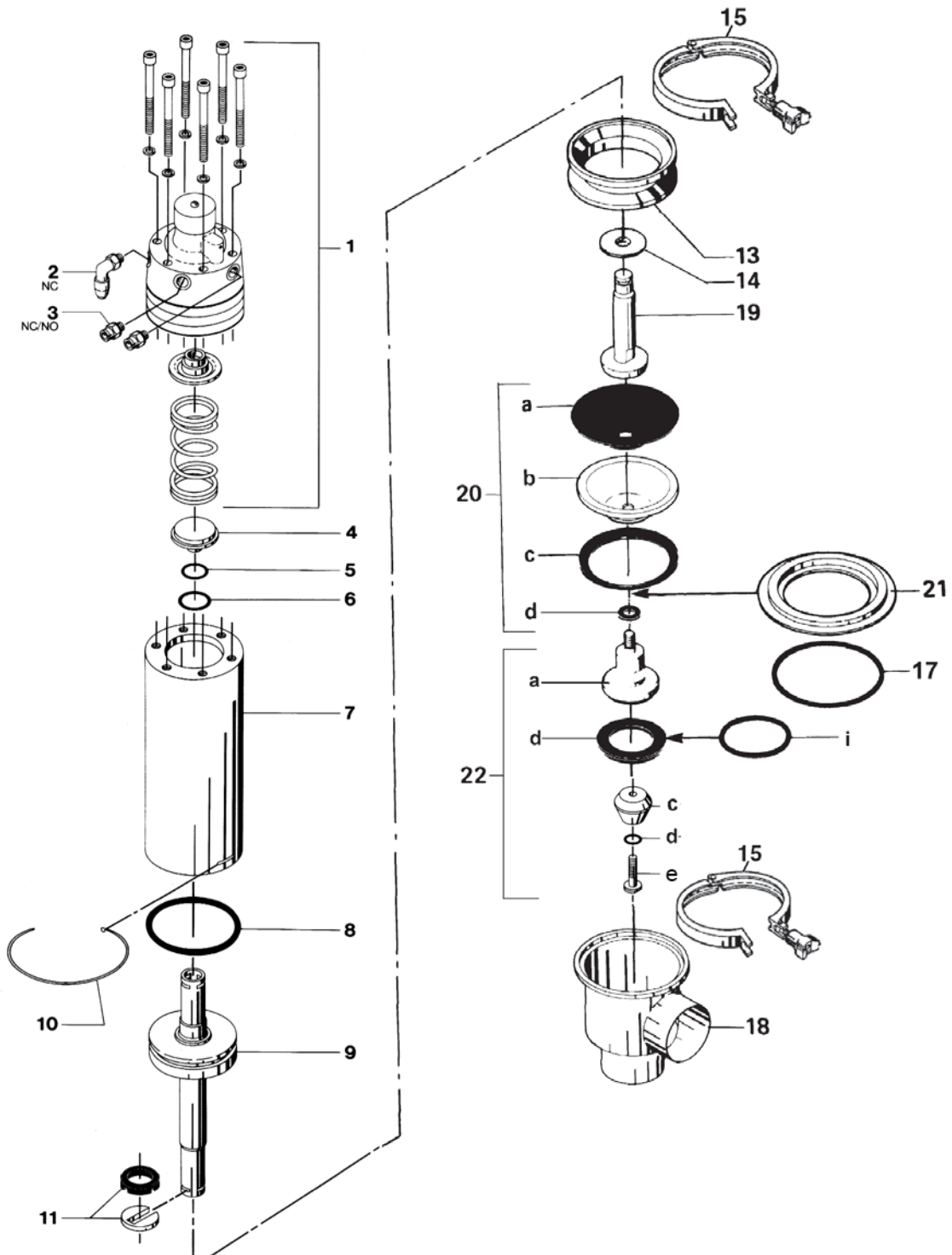


Pos	Qty	Denomination	aperture		
			aperture 6 mm 3134500871 51 mm	12 mm 3134500981 51 mm	3134501202 63.5 mm
AISI 304					
1	1	Seal	190604	190604	190605
2	1	Scale			
3	1	O-ring			
	1	Cup spring			
4	1	O-ring			
5	1	Pin	22211937	22211937	22211937
6	1	Axle			
7	1	Nut			
8	1	Handle			
9	1	Valve plug			
10	1	Valve body			

Recommended spare parts: pos. 1, 3, 4.

Not manufactured anymore

1.9



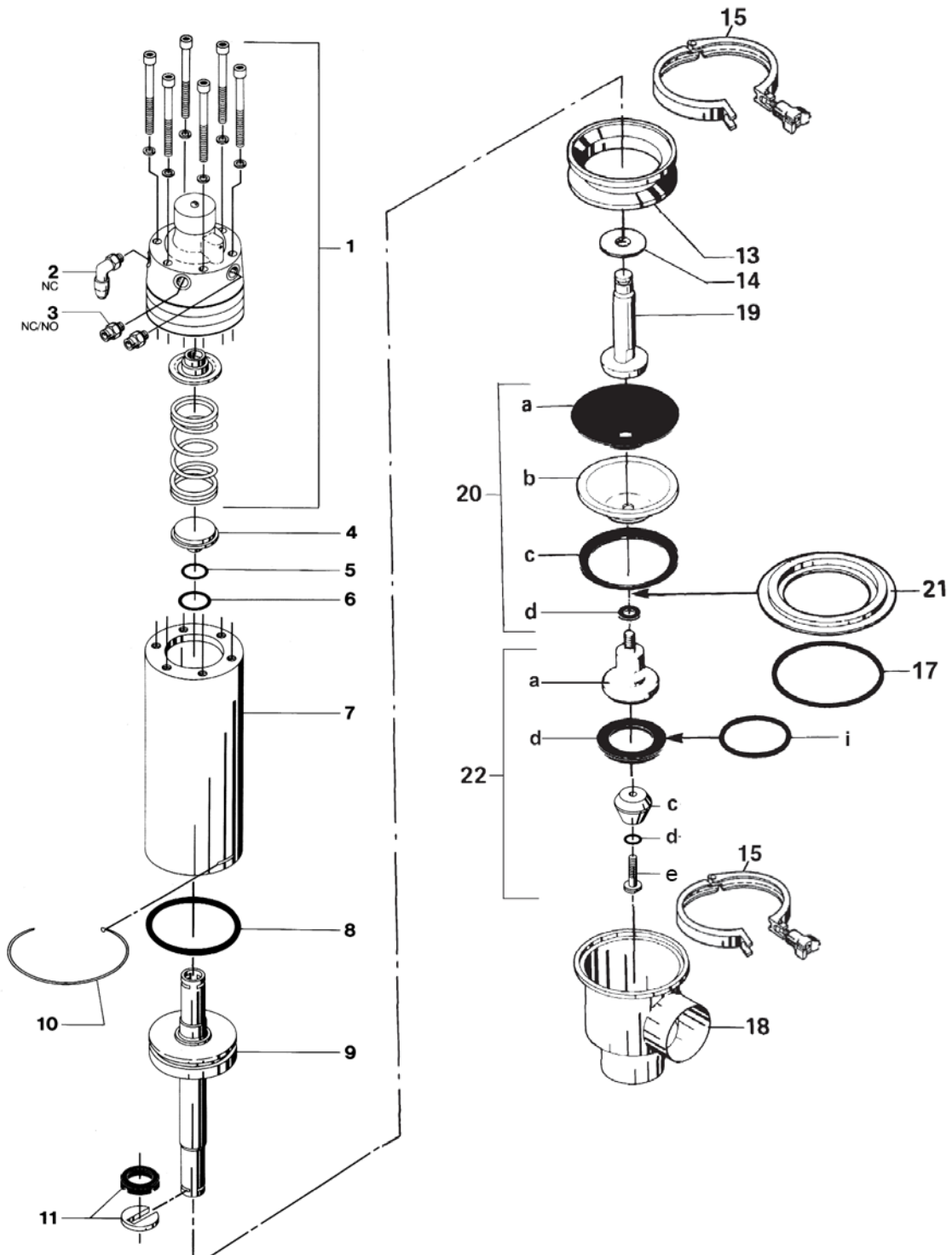
Pos	Qty	Denomination	1 1/2"	2"	2 1/2"	3"	4"
13	1	Intermediate piece	3135308131	3135308131	3135308131	3135308401	3135308401
Clamp							
15	1	Heavy duty clamp	211056	211056	211056	211057	211057
15a	1	Heavy duty clamp	88428363	88428363	88428363	9612011205	9612011205
Valve body (polished)							
18	1	Valve body, lower, 2 ports, GC	31353103010	3135310302	3135310303	3135310304	3135310305
	1	Valve body, lower, 2 ports, weld	3135311001	3135311011	3135311021	3135311031	3135311041
	1	Valve body, lower, 3 ports, GC	NA	NA	NA	NA	NA
	1	Valve body, lower, 3 ports, weld	NA	NA	NA	NA	NA
Valve Plug							
14	1	Washer, (prior to 11/99)	3135308211	3135308211	3135308211	3135308212	3135308212
	1	Washer, (post 11/99 to present)	3135308213	3135308213	3135308213	3135308212	3135308212
17	□	Seal ring, EPDM (standard)	NA	NA	NA	3135302051	3135302051
	□	Seal ring, NBR	NA	NA	NA	3135302052	3135302052
	□	Seal ring, FPM	NA	NA	NA	3135302053	3135302053
19	1	Stem, upper	3135308091	3135308091	3135308091	3135308391	3135308391
20	□	Diaphragm set, PTFE, EPDM*	9611920001	9611920001	9611920001	9611920007	9611920007
	□	Diaphragm set, NBR	9611920081	9611920081	9611920081	9611920083	9611920083
	□	Diaphragm set, FPM	9611920082	9611920082	9611920082	9611920084	9611920084
20a	1	Diaphragm support, EPDM	3135308161	3135308161	3135308161	3135308162	3135308162
20b	1	Diaphragm, PTFE	3135308201	3135308201	3135308201	3135308202	3135308202
20c	1	L-seal, EPDM (standard)	3135308171	3135308171	3135308171	3135308171	3135308171
	1	L-seal, NBR	3135308172	3135308172	3135308172	3135308172	3135308172
	1	L-seal, FPM	3135308173	3135308173	3135308173	3135308173	3135308173
20d	1	Stem seal, EPDM (standard)	3135308181	3135308181	3135308181	3135308182	3135308182
	1	Stem seal, NBR	3135308183	3135308183	3135308183	3135308184	3135308184
	1	Stem seal, FPM	3135308185	3135308185	3135308185	3135308186	3135308186
*(complete replacement recommended)							
Valve Plug							
21	1	Diaphragm ring	NA	NA	NA	3135308411	3135308411
22a	1	Stem, lower	3135308111	3135308121	3135308151	3135308431	3135308461
22b	□	Seal, EPDM (standard)	3135303201	3135303211	3135303221	NA	NA
	1	Seal, NBR	3135303202	3135303212	3135303222	NA	NA
	1	Seal, FPM	3135303203	3135303213	3135303223	NA	NA
22e	1	Plug head	3135305151	3135305161	3135305171		
22f	□	O-ring, EPDM (standard)	99003401	99003401	99003401	99003401	99003401
	1	O-ring, NBR	22340421	22340421	22340421	22340421	22340421
	1	O-ring, FPM	22340435	22340435	22340435	22340435	22340435
22g	1	Screw	3135305141	3135305141	3135305141	3135305141	3135305141
22i	□	O-ring, EPDM (standard)	NA	NA	NA	9611990544	9611991491
	1	O-ring, NBR	NA	NA	NA	9611990029	9611992549
	1	O-ring, FPM	NA	NA	NA	9611991345	9611992550

Parts marked with □ are included in the service kits.

		1 1/2"	2"	2 1/2"	3"	4"
□	Service kit for valve, EPDM	9611920040	9611920041	9611920042	9611920043	9611920044
□	Service kit for valve, NBR	9611920085	9611920087	9611920089	9611920091	9611920093
□	Service kit for valve, FPM	9611920086	9611920088	9611920090	9611920092	9611920094

Not manufactured anymore

1.9



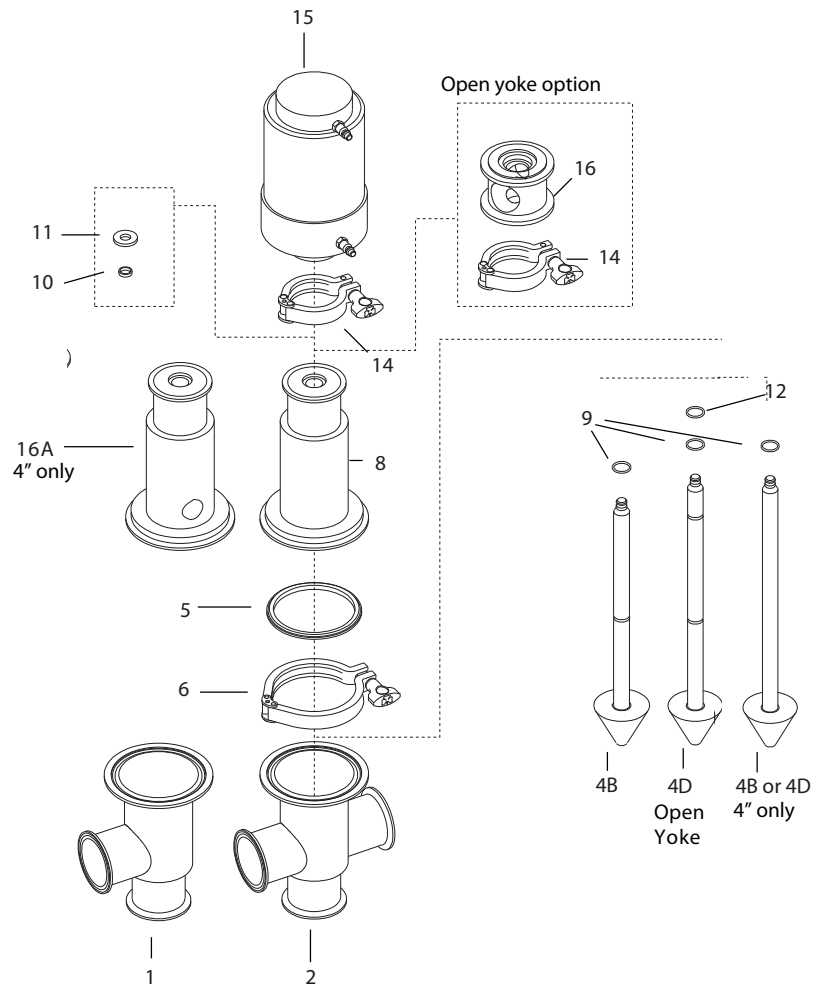
Pos	Qty	Denomination	1 1/2"	2"	2 1/2"	3"	4"
	1	Actuator complete, NO	3135311541	3135311541	3135311541	3135311544	3135311544
	1	Actuator complete, NC	3135311542	3135311542	3135311542	3135311543	3135311543
1	1	Valve positioner, NO	769498	769498	769498	769498	769498
	1	Valve positioner, NC	769499	769499	769499	769499	769499
2	1	Air fitting, NC	88116843	88116843	88116843	88116843	88116843
3	2	Air fitting, NO/NC	88116878	88116878	88116878	88116878	88116878
4	1	Spring support	3135311451	3135311451	3135311451	3135311451	3135311451
5	□	O-ring	9611990038	9611990038	9611990038	9611990038	9611990038
6	□	O-ring	22340625	22340625	22340625	22340649	22340649
7	1	Cylinder	3135311481	3135311481	3135311481	3135311482	3135311482
8	□	O-ring	22340174	22340174	22340174	22340175	22340175
9	1	Piston	3135306211	3135306211	3135306211	3135306191	3135306191
10	□	Lock wire	3135301511	3135301511	3135301511	3135301891	3135301891
11	□	Clip complete	3135307931	3135307931	3135307931	3135307932	3135307932
12	1	Spring assembly	3135306251	3135306251	3135306251	3135306221	3135306221
13	□	O-ring	96119900396	96119900396	96119900396	22340617	22340617
14	1	Bonnet	3135301331	3135301331	3135301331	3135301901	3135301901
16	1	Air fitting, NC	9611994682	9611994682	9611994682	9611994682	9611994682

Parts marked with □ are included in the service kits.

		1 1/2"	2"	2 1/2"	3"	4"
□	Service kit for actuator	9611920300	9611920300	9611920300	9611920319	9611920319

Not manufactured anymore

1.9



Pos	Qty	Denomination	1"	1 1/2"	2"	2 1/2"	3"	4"
1	1	Lower body model, 10 . . .	NA	NA	NA	NA	NA	NA
2	1	Lower body model, 30 . . .	NA	NA	NA	v	NA	NA
4B	1	Valve plug 10 & 30	770401	775737	775741	775747	770732	771969
4D	1	171OY valve plug 10 & 30 . .	NA	NA	NA	v	NA	NA
5	□♦	1 Body gasket, BUNA	755415	755415	755416	755417	755418	755421
	□♦	1 Body gasket, EPDM	750157	750157	750062	751799	750811	750686
	□♦	1 Body gasket, SFY	750667	750667	750497	750209	750609	750738
6	1	Body clamp	212205	212205	212206	212207	212208	212209
8	1	Bonnet 10 & 30	NA	NA	NA	NA	NA	NA
9	□	1 Stem O-ring, BUNA	755351	755351	755351	755357	755357	300543
	□	1 Stem O-ring, EPDM	750036	750036	750036	750037	750037	300016
	□	1 Stem O-ring, SFY	750172	750172	750172	750173	750173	300061
10	□♦	1 Bonnet O-ring, BUNA	755357	755357	755357	755370	755370	755370
	□♦	1 Bonnet O-ring, EPDM	750037	750037	750037	750132	750132	750132
	□♦	1 Bonnet O-ring, SFY	750173	750173	750173	750077	750077	750077
11	1	Ss washer	754781	754781	754781	754776	754776	754776
12	♦	1 OY stem O-ring BUNA	755388	755388	755388	755542	755542	NA
	♦	1 OY stem O-ring EPDM	750004	750004	750004	750728	750728	NA
	♦	1 OY stem O-ring SFY	750084	750084	750084	751715	751715	NA
14	1	Actuator clamp	212196	212196	212196	212196	212196	212196
15		See actuator section						
16	1	Open yoke	NA	NA	NA	NA	NA	NA
16A	1	OY bonnet	NA	NA	NA	NA	NA	NA

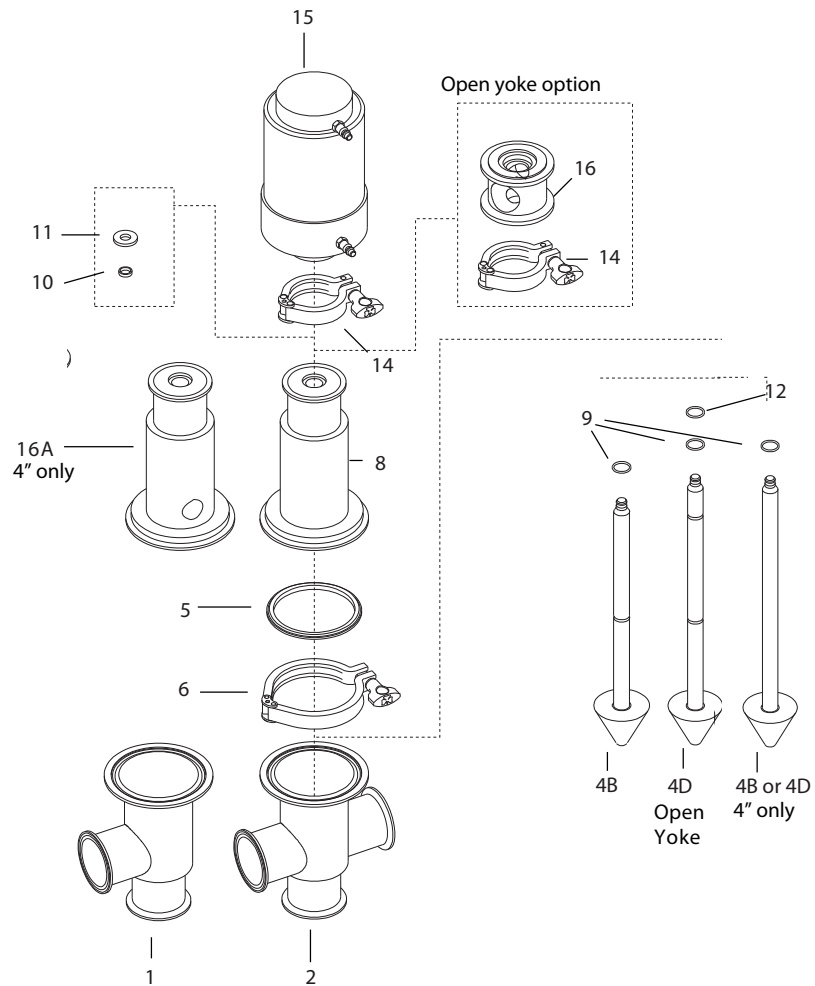
1.9

Parts marked with □♦ are included in the service kits.

			1"	1 1/2"	2"	2 1/2"	3"	4"
□	171 Service Kit BUNA . . .	9613990184	9613990184	9613990184	9613990187	9613990190	9613990193	9613990196
□	171 Service Kit EPDM . . .	9613990185	9613990185	9613990185	9613990188	9613990191	9613990194	9613990197
□	171 Service Kit SFY	9613990186	9613990186	9613990186	9613990189	9613990192	9613990195	9613990198
♦	171OY Service Kit BUNA . .	9613990199	9613990199	9613990199	9613990202	9613990205	9613990208	9613990211
♦	171OY Service Kit EPDM . .	9613990200	9613990200	9613990200	9613990203	9613990206	9613990209	9613990212
♦	171OY Service Kit SFY . . .	9613990201	9613990201	9613990201	9613990204	9613990207	9613990210	9613990213

Not manufactured anymore

1.9



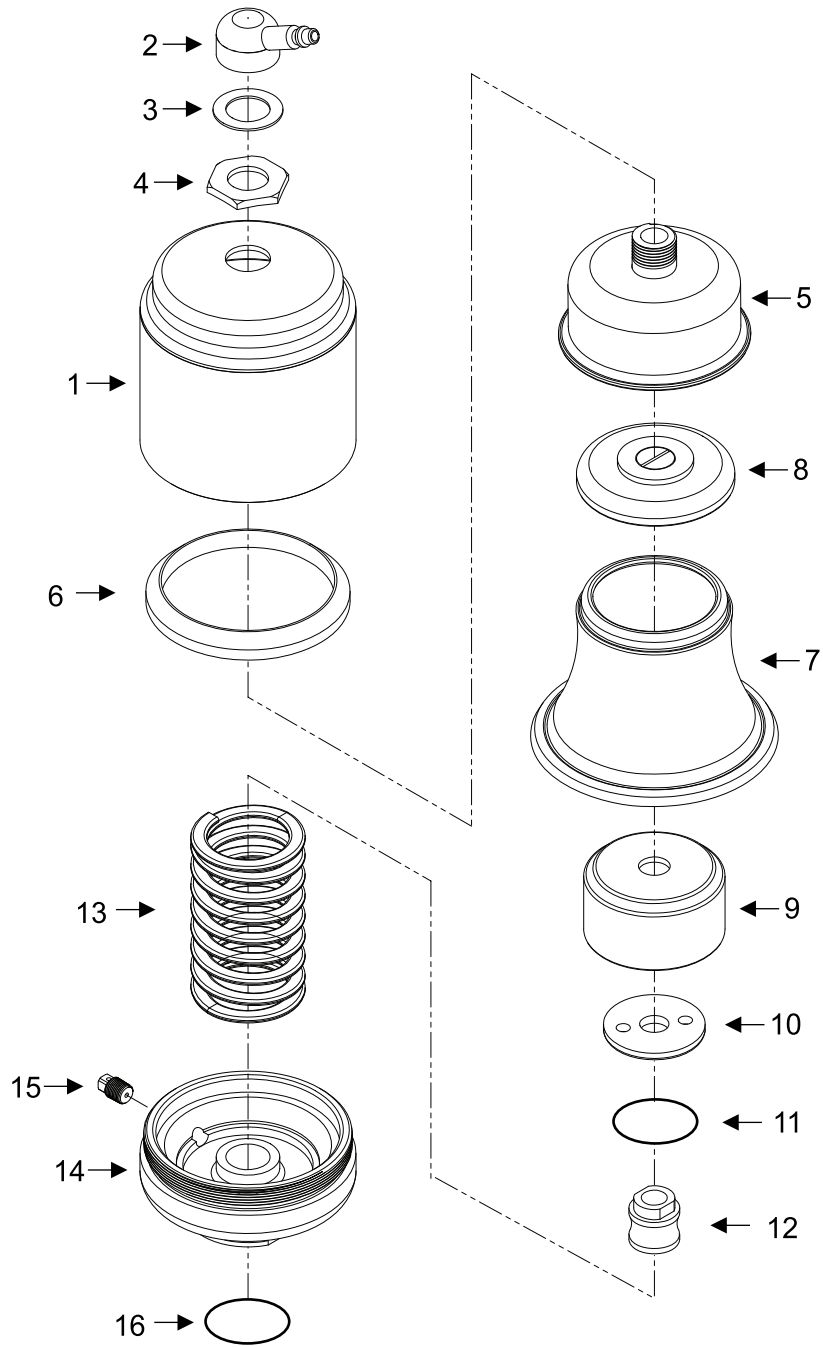
Pos	Qty	Denomination	1"	1 1/2"	2"	2 1/2"	3"	4"
1	1	Lower body model, 10 . . .	NA	NA	NA	NA	NA	NA
2	1	Lower body model, 30 . . .	NA	NA	NA	v	NA	NA
4B	1	Valve plug 10 & 30	770401	775737	775741	775747	770732	771969
4D	1	171OY valve plug 10 & 30 . .	NA	NA	NA	v	NA	NA
5	□♦	Body gasket, BUNA	755415	755415	755416	755417	755418	755421
	□♦	Body gasket, EPDM	750157	750157	750062	751799	750811	750686
	□♦	Body gasket, SFY	750667	750667	750497	750209	750609	750738
6	1	Body clamp	212205	212205	212206	212207	212208	212209
8	1	Bonnet 10 & 30	NA	NA	NA	NA	NA	NA
9	□	Stem O-ring, BUNA	755351	755351	755351	755357	755357	300543
	□	Stem O-ring, EPDM	750036	750036	750036	750037	750037	300016
	□	Stem O-ring, SFY	750172	750172	750172	750173	750173	300061
10	□♦	Bonnet O-ring, BUNA	755357	755357	755357	755370	755370	755370
	□♦	Bonnet O-ring, EPDM	750037	750037	750037	750132	750132	750132
	□♦	Bonnet O-ring, SFY	750173	750173	750173	750077	750077	750077
11	1	Ss washer	754781	754781	754781	754776	754776	754776
12	♦	OY stem O-ring BUNA	755388	755388	755388	755542	755542	NA
	♦	OY stem O-ring EPDM	750004	750004	750004	750728	750728	NA
	♦	OY stem O-ring SFY	750084	750084	750084	751715	751715	NA
14	1	Actuator clamp	212196	212196	212196	212196	212196	212196
15		See actuator section						
16	1	Open yoke	NA	NA	NA	NA	NA	NA
16A	1	OY bonnet	NA	NA	NA	NA	NA	NA

1.9

Parts marked with □♦ are included in the service kits.

			1"	1 1/2"	2"	2 1/2"	3"	4"
□	171 Service Kit BUNA . . .	9613990184	9613990184	9613990184	9613990187	9613990190	9613990193	9613990196
□	171 Service Kit EPDM . . .	9613990185	9613990185	9613990185	9613990188	9613990191	9613990194	9613990197
□	171 Service Kit SFY	9613990186	9613990186	9613990186	9613990189	9613990192	9613990195	9613990198
♦	171OY Service Kit BUNA . .	9613990199	9613990199	9613990199	9613990202	9613990205	9613990208	9613990211
♦	171OY Service Kit EPDM . .	9613990200	9613990200	9613990200	9613990203	9613990206	9613990209	9613990212
♦	171OY Service Kit SFY . . .	9613990201	9613990201	9613990201	9613990204	9613990207	9613990210	9613990213

1.9



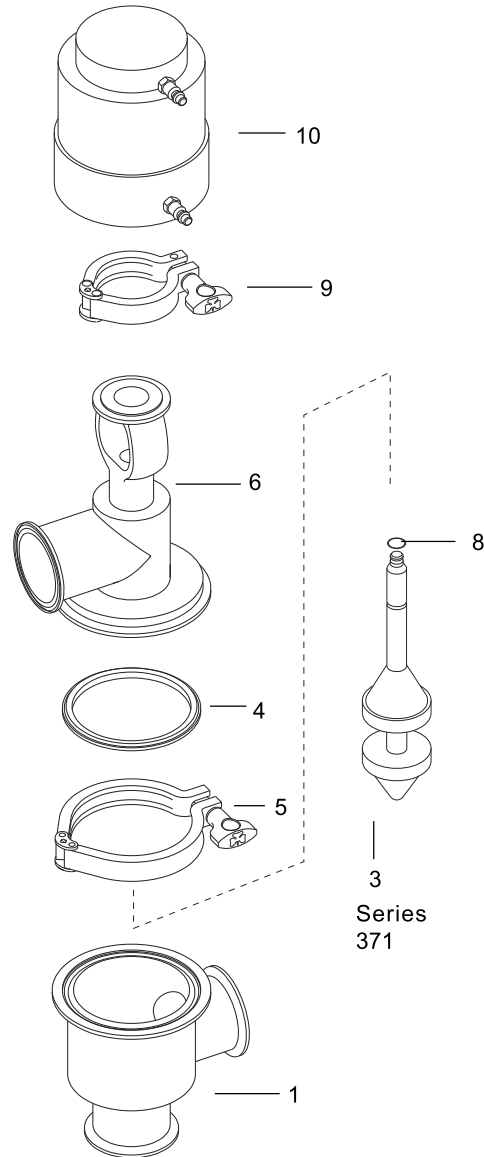
Pos	Qty	Denomination	
1	1	Actuator body cylinder	750032
2	1	Air coupler adapter	764249
3	1	Gasket	755451
4	1	Sealing nut	754328
5	1	Outer diaphragm clamp/retainer	763805
6	1	Body insert	764008
7	□	Diaphragm	763501
8	1	Top diaphragm clamp/retainer	763515
9	1	Inner diaphragm clamp/retainer	763753
10	1	Nut-retainer assembly	754265
11	1	Washer	754797
12	1	Coupler	764240
13	1	Compression spring	750752
14	1	Bonnet	750428
15	1	Vented plug	181256
16	□	O-ring	755353

Parts marked with □ are included in the service kits.

Service kit **9613990042**

Not manufactured anymore

1.9



Pos	Qty	Denomination	1"	1 1/2'	2"	2 1/2"	3"
1	1	Lower tee body	NA	NA	NA	NA	NA
3	1	Valve stem	770594	771716	770711	771727	773108
4	□	1 Body gasket, BUNA	755415	755416	755417	755419	755420
	□	1 Body gasket, EPDM	750157	750062	751799	750812	750322
	□	1 Body gasket, SFY	750667	750497	750209	750210	750610
5	1	Body clamp	212205	212198	270266	270267	212211
6	1	Upper body	NA	NA	NA	NA	NA
8	□	1 O-ring stem, BUNA	755351	755351	755351	755357	755357
	□	1 O-ring stem, EPDM	750036	750036	750036	750037	750037
	□	1 O-ring stem, SFY	750172	750172	750172	750173	750173
9	1	Actuator clamp	212196	212196	212196	212196	212196
10	1	Actuator, type 10 N/O	750782	750782	750782	750782	750782
	1	Actuator, type 20 N/C	750785	750785	750785	750785	750785

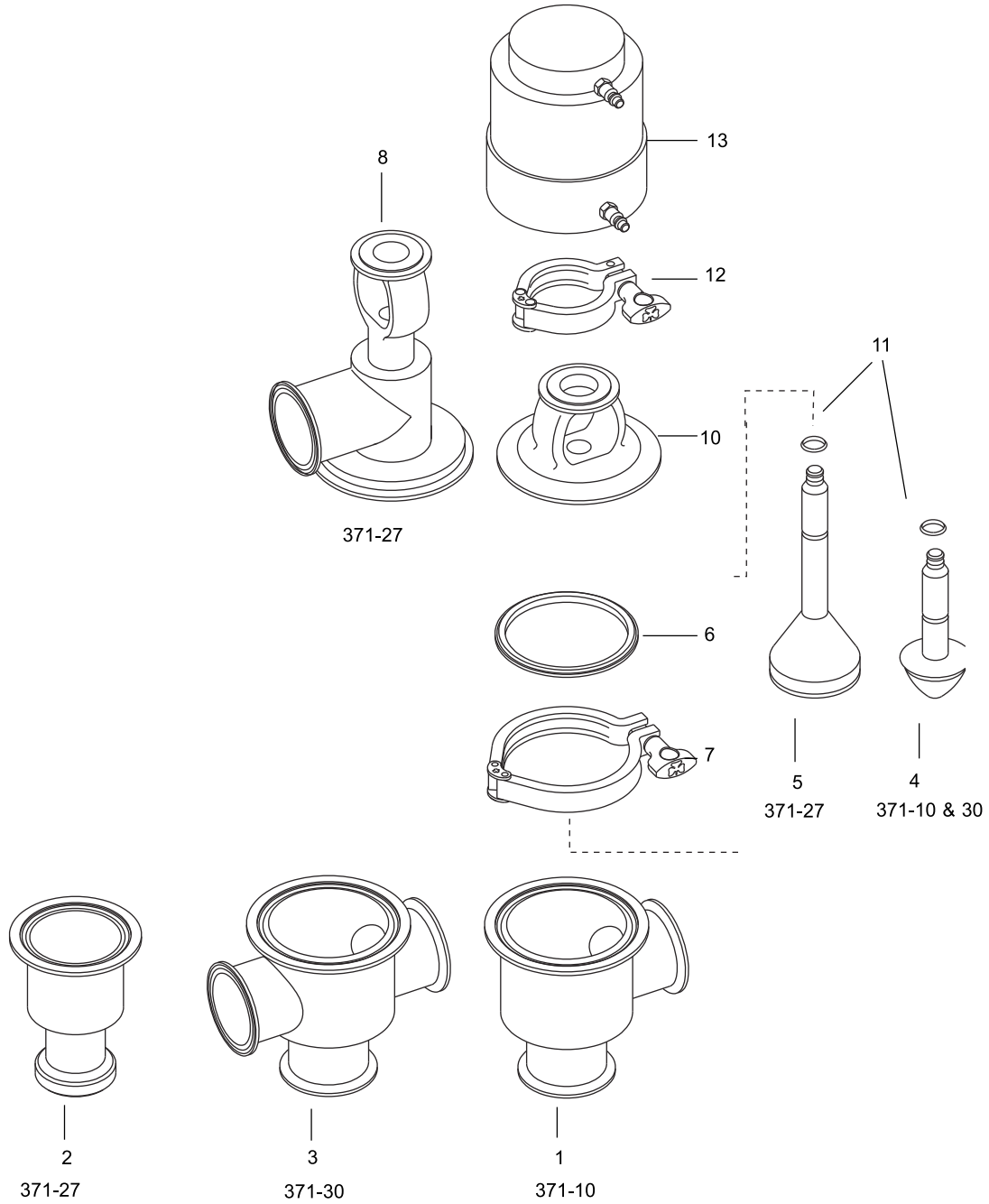
1.9

Parts marked with □ are included in the service kits.

		1'	1 1/2'	2"	2 1/2"	3'
□	BUNA Service Kit	9613990073	9613990076	9613990079	9613990082	9613990085
□	EPDM Service Kit	9613990074	9613990077	9613990080	9613990083	9613990086
□	SFY Service Kit	9613990075	9613990078	9613990081	9613990084	9613990087

Not manufactured anymore

1.9



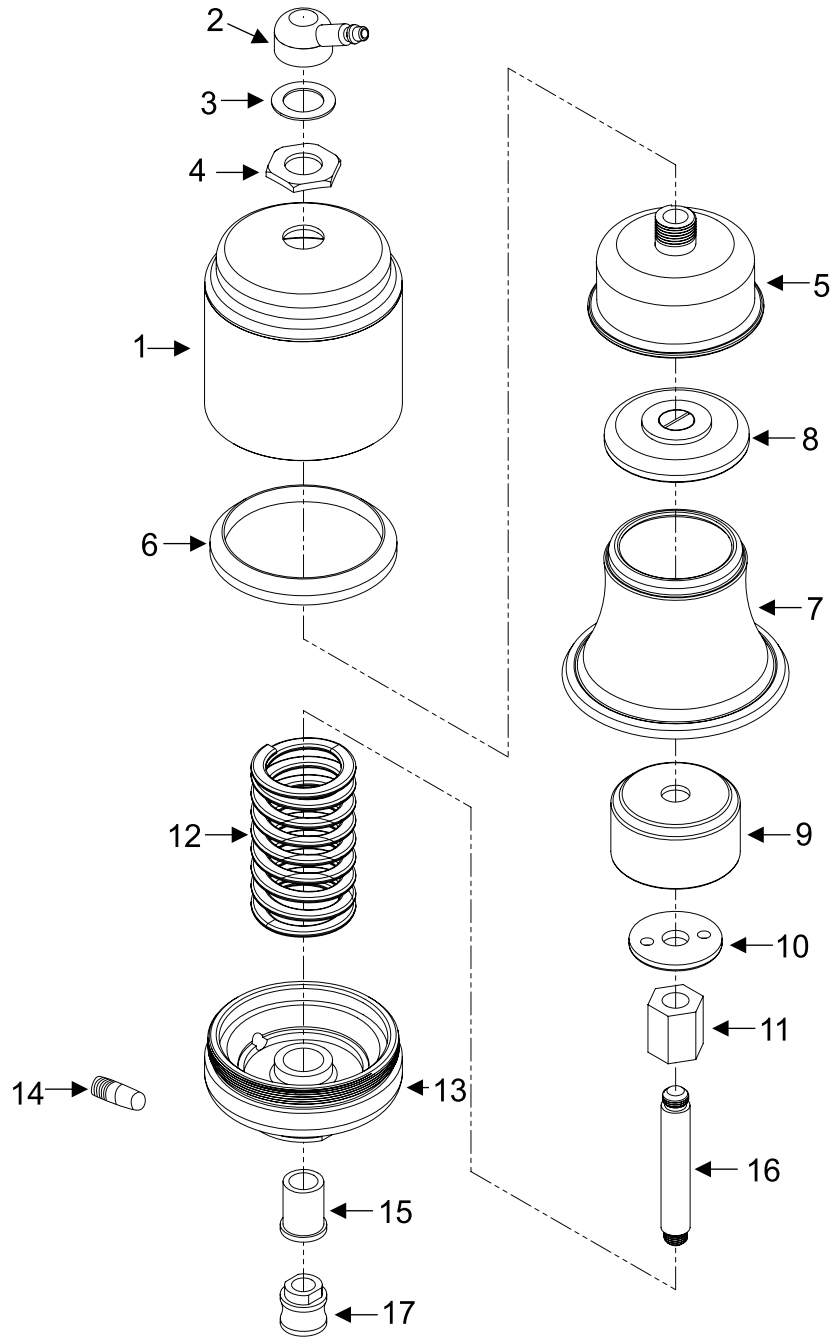
Pos	Qty	Denomination	1"	1 1/2"	2"	2 1/2"	3"
1	1	Tee body	NA	NA	NA	NA	NA
2	1	Lower body 27	NA	NA	NA	NA	NA
3	1	Cross body	NA	NA	NA	NA	NA
4	1	Valve stem	772998	772999	773000	773001	773002
	1	Valve stem, Special taper	Contact Alfa	Contact Alfa	Contact Alfa	Contact Alfa	Contact Alfa
			Laval	Laval	Laval	Laval	Laval
5	1	Valve stem 27	NA	770053	771970	9634047813	770176
6	<input type="checkbox"/>	Body gasket, BUNA	755415	755416	755417	755419	755420
	<input type="checkbox"/>	Body gasket, EPDM	750157	750062	751799	750812	750322
	<input type="checkbox"/>	Body gasket, SFY	750667	750497	750209	750210	750610
7	1	Body clamp	212205	212198	270266	270267	212211
8	1	Upper body 27	NA	NA	NA	NA	NA
10	1	Bonnet	750589	754233	754040	754054	754038
11	<input type="checkbox"/>	O-ring stem, BUNA	755351	755351	755351	755357	755357
	<input type="checkbox"/>	O-ring stem, EPDM	750036	750036	750036	750037	750037
	<input type="checkbox"/>	O-ring stem, SFY	750172	750172	750172	750173	750173
12	1	Actuator clamp	212196	212196	212196	212196	212196
13	1	Actuator, type 10 N/O	750782	750782	750782	750782	750782
	1	Actuator, type 20 N/C	750785	750785	750785	750785	750785
	1	Actuator, type 15	750790	750790	750790	750790	750790
	1	Actuator, type 25 (27 only)	750790	750790	750790	750790	750790

1.9

Parts marked with are included in the service kits.

		1"	1 1/2"	2"	2 1/2"	3"
<input type="checkbox"/>	BUNA Service Kit	9613990073	9613990076	9613990079	9613990082	9613990085
<input type="checkbox"/>	EPDM Service Kit	9613990074	9613990077	9613990080	9613990083	9613990086
<input type="checkbox"/>	SFY Service Kit	9613990075	9613990078	9613990081	9613990084	9613990087

1.9

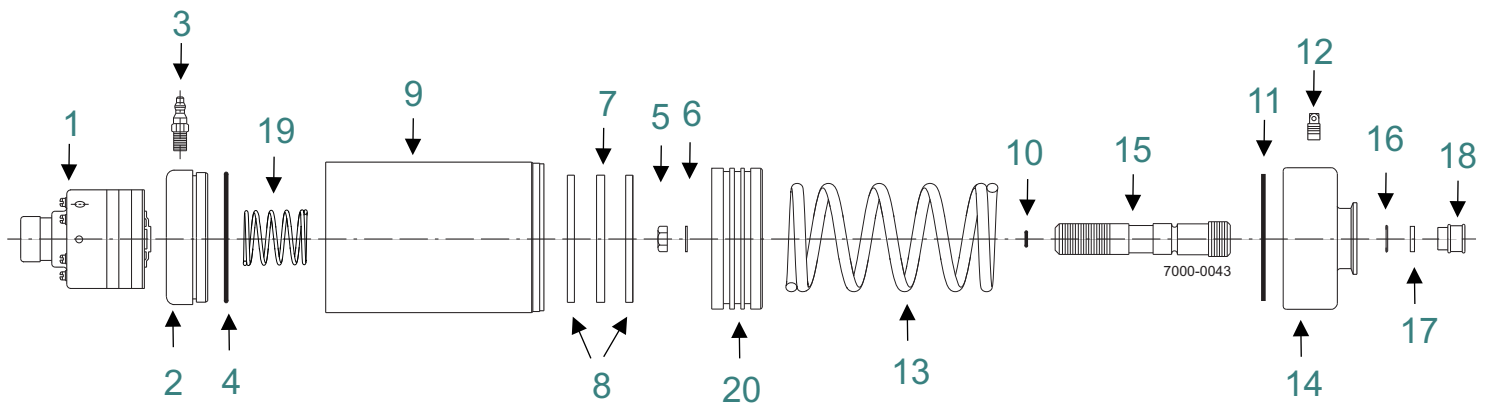


Pos	Qty	Denomination	
1	1	Actuator body cylinder	750032
2	1	Air coupler adaptor	764249
3	1	Gasket	755451
4	1	Sealing nut	754328
5	1	Outer diaphragm clamp retainer	763805
6	1	Body insert	764088
7	□	Diaphragm	763501
8	1	Top diaphragm clamp retainer	763765
9	1	Inner diaphragm clamp retainer	763753
10	1	Nut retainer	754265
11	1	Adaptor	764089
12	1	Compression ring	750752
13	1	Bonnet	750504
14	1	Vented plug	181256
15	□	Bushing	764754
16	1	Actuator stem	776625
17	□	Coupler	

Parts marked with □ are included in the service kits.

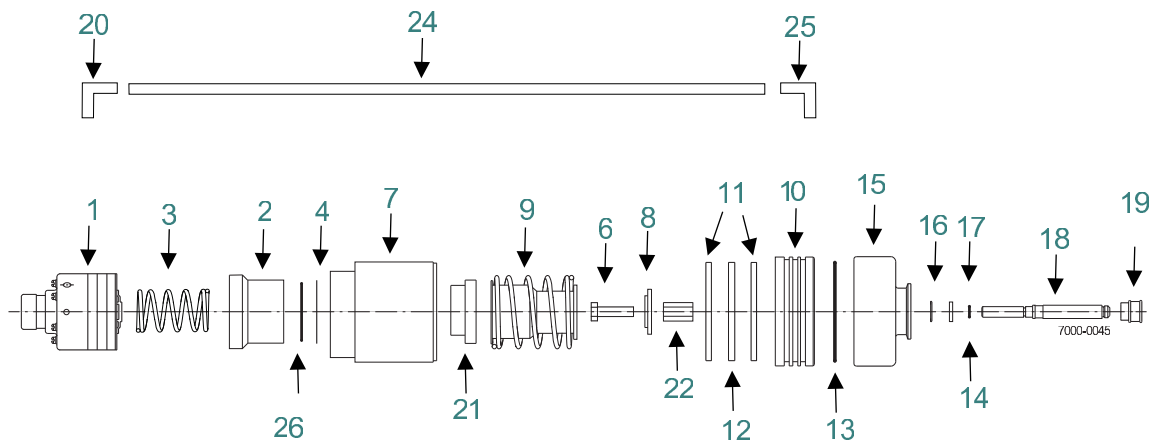
□	Service Kit	9613990134
---	--------------------	-------------------

1.9



Pos	Qty	Denomination	Item #
1	1	Moore Positioner	769498
2	1	Upper Bonnet	750119
3	1	Pipe Plug	751541
4	1	O ring	755462
5	1	Nut	189923
6	1	Lockwasher	189971
7	<input type="checkbox"/>	Felt Seal	755464
8	<input type="checkbox"/>	Vee Block Packing	755460
9	1	Cylinder	750870
10	<input type="checkbox"/>	O Ring	755388
11	<input type="checkbox"/>	O Ring	296608
12	1	Vented Plug	181256
13	1	Spring Assembly	750826
14	1	Bonnet Assembly	753796
15	1	Actuator Stem	750328
16	1	Retaining Ring	755090
17	<input type="checkbox"/>	Vee Block Packing	755461
18	1	Coupler	764241
19	1	Spring Assembly	750998
20	1	Piston	750118
			Item #
<input type="checkbox"/>		Service Kit	752039

1.9

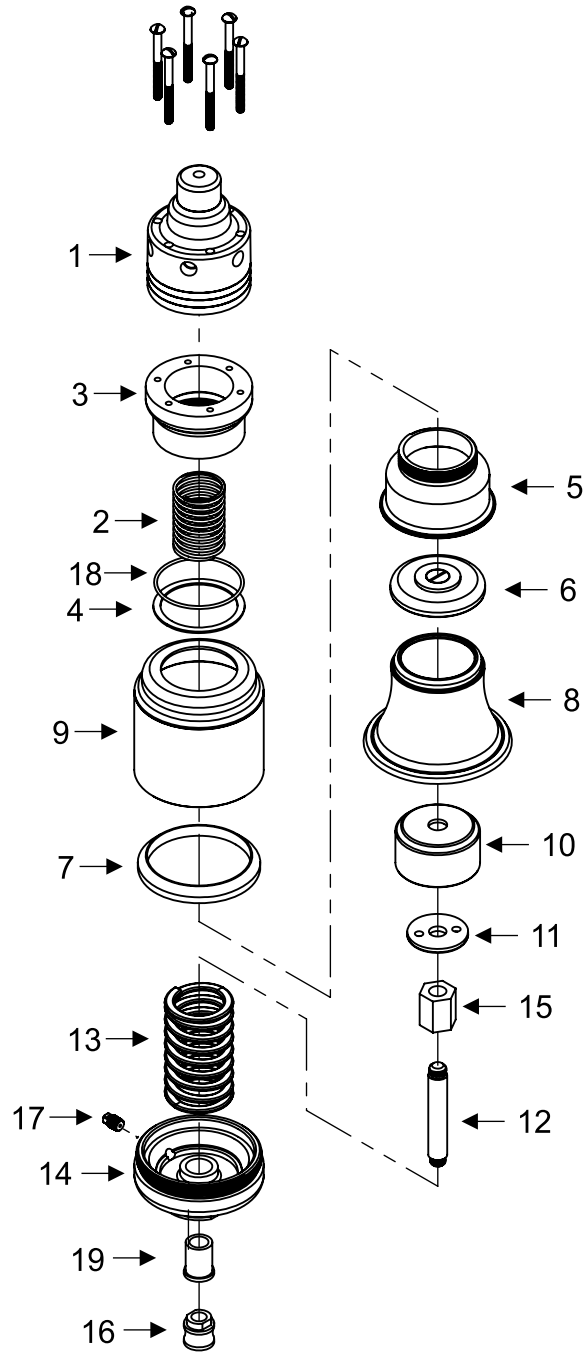


Pos	Qty	Denomination	Item #
1	1	Moore Positioner	769499
2	1	Positioner Adapter	764078
3	1	Range Spring	750998
4	1	Gasket	755549
5	1	Vent Plug	181256
6	1	Screw	189888
7	1	Cylinder	751508
8	1	Range Spring Adapter	761216
9	1	Spring Assembly	750826
10	1	Piston	767870
11	□ 2	Vee Block Packing	755460
12	□ 1	Felt Seal	755464
13	□ 1	O Ring	755388
14	□ 1	O Ring	296608
15	1	Bonnet	753796
16	1	Retaining Ring	755090
17	□ 1	Vee Block Packing	755461
18	1	Actuator Stem	750328
19	1	Coupler	764241
20	1	Male Pipe Connector	766010
21	1	Adapter Retainer	751505
22	1	Spacer Nut	750504
23	1	Washer	189971
24	24"	Air Supply Line	765006
25	1	Male Pipe Connector	766009
26	□ 1	O Ring	755530

Parts marked with □ are included in the service kits.

		Item #
□	Service Kit	752039

1.9



Pos	Qty	Denomination	
1	1	Moore Positioner	769498
	1	Moore Positioner, AR	769497
2	1	Range Spring	750998
3	1	Mounting Adapter	764078
4	1	Gasket	755549
5	1	Outer Diaphragm Clamp	763794
6	1	Inner Diaphragm Clamp	763795
7	1	Body Insert	764088
8	□	Diaphragm	763501
9	1	Actuator Cylinder	771543
10	1	Inner Diaphragm Guide	763753
11	1	Nut	754265
12	1	Stem	776689
13	1	Spring	750752
14	1	Bonnet	750504
15	1	Adapter	764089
16	□	Coupler	764241
17	1	Vented Plug	181256
18	1	O Ring	755530
19	□	Bushing	764754

Parts marked with □ are included in the service kits.

□	Service Kit	96139901
---	------------------------------	-----------------

This page is intentionally left blank