

4.4 Mixers

For mixing or stirring your products.



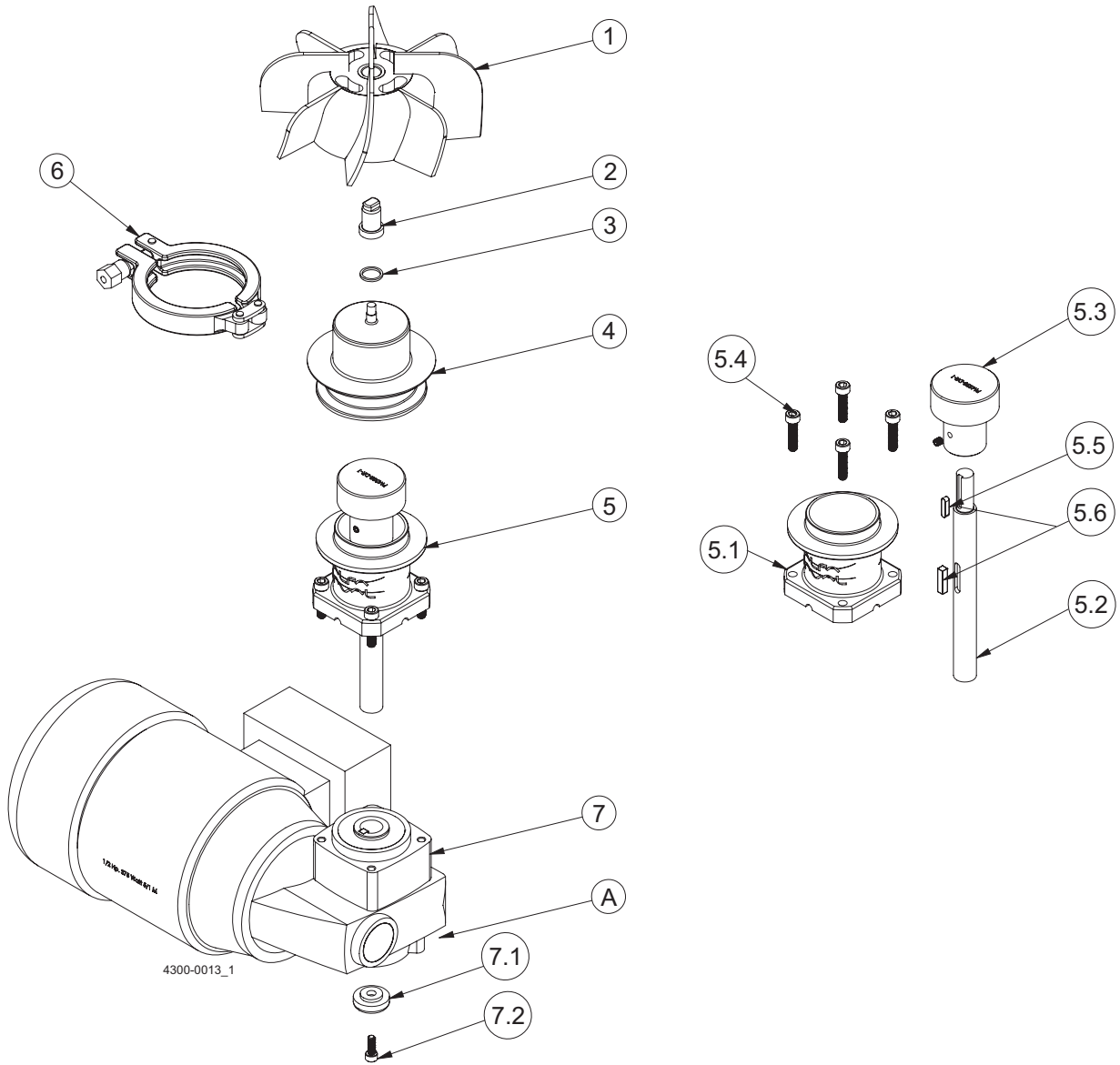
Spare parts

Magnetic Mixer MM338	4.4.2364
Magnetic Mixer MM434	4.4.2370
IM10 Rotary Jet Mixer	4.4.2376
IM15 Rotary Jet Mixer	4.4.2378
IM20 Rotary Jet Mixer	4.4.2382
IM25 Rotary Jet Mixer	4.4.2388
Hybrid Powder Mixer HPM-M15 complete	4.4.2392
Hybrid Powder Mixer MPM-M15 Butterfly valve	4.4.2394
HPM-M15 In-line sight glass	4.4.2396
Hybrid Powder Mixer HPM-S15 complete	4.4.2398
Hybrid Powder Mixer common parts, Flush Container	4.4.2400
Hybrid Powder Mixer common parts, C-ball valve	4.4.2402
Hybrid Powder Mixer common parts, Inlet tube	4.4.2404
Hybrid Powder Mixer common parts, High Shear and Pump Unit	4.4.2406
Tri-blender F2116 and F2116 EZ system blenders	4.4.2408
Tri-blender F3218	4.4.2412
Tri-blender F4329	4.4.2416

Spare parts for obsolete products

IM20 Rotary Jet Mixer	4.4.2420
-----------------------	----------

-2 and -3 versions



Pos. A: No fixing element cover = version 2 or 3

Parts list, Magnetic Mixer MM338
-2 and -3 versions

Pos	Qty	Denomination	Item no.	Size
1	□	- IMP, PM338-4"-HSA IMPELLER, new (20 Ra max)	9634086378	4
	□	- IMP, PM338-6"-HSA IMPELLER, new (20 Ra max)	9634086026	6
	□	- IMP, PM338-4"-HSA-EP, new (20 Ra max plus Electro polish)	9634086513	4
	□	- IMP, PM338-6"-HSA-EP, new (20 Ra max plus Electro polish)	9634086514	6
1*	□	- MM338-IMPFB-REPAIR, R&R of female bearing	9634086486	All
	□	- MM338-IMPFB-REPAIR-EP, R&R of female bearing +EP	9634089579	All
2		- Male Bearing, YTZP (Zirconia Ceramic)	9634086107	
3		- Male Bearing Gasket, ISOLAST® PerFluoro elastomer	9634086109	
4		- Weld Plate, 316L Stainless Steel	9634086405	Accy**
5	□	- Drive unit kit, see table below		
5.1	□	- DU flange, see table below		
5.2	□	- Axle, see table below		
5.3		- Drive Rotor	9634086085	
5.4		- SHCS, Stainless Steel		M6x25
5.5		- Key	N/A	M4x16
5.6		- Key, supplied with gear motor	N/A	M5x20
6		- Clamp	9634086467	2.5"
7	□	- Gear Motor code A, 3 X 230/460 VAC 60Hz	9634086551	0.5Hp
	□	- Gear Motor code B, 3 X 332/575 VAC 60Hz	9634086552	0.5Hp
	□	- Gear Motor code C, 3 X 205/355 VAC 50Hz (OBS)	9634086526	0.5Hp
	□	- Gear Motor code D, 3 X 230/400 VAC 50Hz	9634086553	0.5Hp
7.1		- Fixing Element, supplied with gear motor	N/A	
7.2		- SHCS, supplied with gear motor	N/A	M5

Note*: Pos. 1 REPAIR: The impeller must be returned to Alfa Laval for repair. Please contact Customer Support.

Note**: Pos. 4: Accessory - not Spare part.

Version	Pos. 5 Drive unit kit	Pos. 5.1 DU flange	Pos. 5.2 Axle
-2, Stainless steel	9634086468	9634086455	9634086081
-3, extended version	9634086557	9634086560	9634086559

Conversion Kit to be used when upgrading the -2 or -3 Gearmotor to the -6 Drive Unit:

9614452001 MM338-6-DU CONVERSION KIT

Note: Drive rotor from existing Drive Unit to be re-used.

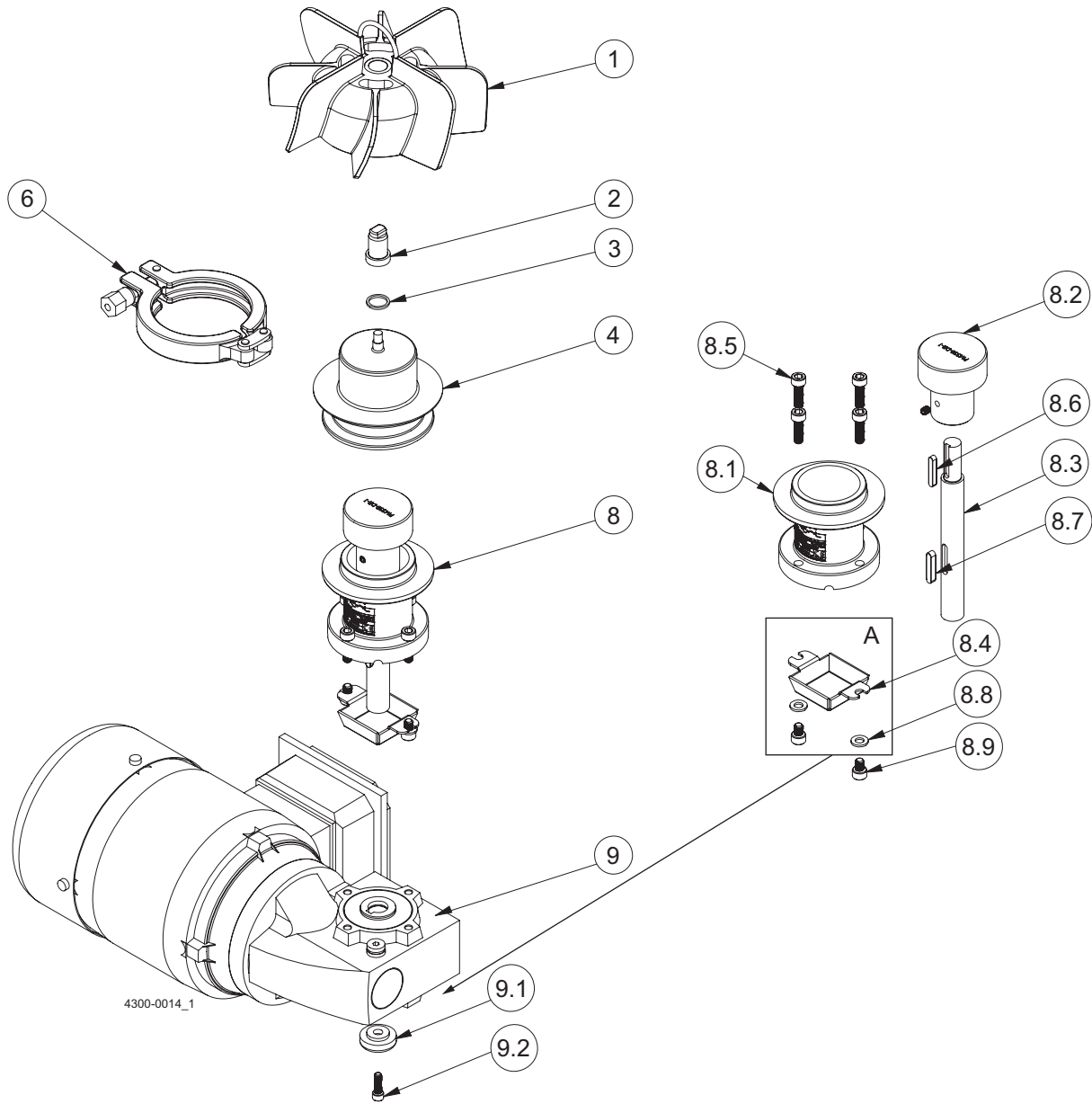
Conversion Kit to be used when upgrading the -2 or -3 Gear motor to the -7 Drive Unit:

9636000497 MM338-7-DU CONVERSION KIT

Note: Drive rotor from existing Drive Unit to be re-used.

-6 and -7 versions

4.4



Parts list, Magnetic Mixer MM338
-6 and -7 versions

Pos	Qty	Denomination	Item no.	Size
1	□	- IMP, PM338-4"-HSA IMPELLER, new (20 Ra max)	9634086378	4
	□	- IMP, PM338-6"-HSA IMPELLER, new (20 Ra max)	9634086026	6
	□	- IMP, PM338-4"-HSA-EP, new (20 Ra max plus Electro polish)	9634086513	4
	□	- IMP, PM338-6"-HSA-EP, new (20 Ra max plus Electro polish)	9634086514	6
1*	□	- MM338-IMPFB-REPAIR, R&R of female bearing	9634086486	All
	□	- MM338-IMPFB-REPAIR-EP, R&R of female bearing +EP	9634089579	All
2		- Male Bearing, YTZP (Zirconia Ceramic)	9634086107	
3		- Male Bearing Gasket, ISOLAST® PerFluoro elastomer	9634086109	
4		- Weld Plate, 316L Stainless Steel	9634086405	Accy**
6		- Clamp	9634086467	2.5"
8	□	- Drive unit kit, see table below		
8.1	□	- DU flange, see table below		
8.2		- Drive Rotor	9634086085	
8.3	□	- Axle, see table below		
8.4	□	- Fixing element guard, Stainless Steel	9634093420	
8.5		- SHCS, Stainless Steel	9634093426	M6x20
8.6		- Key, supplied with Axle	N/A	M4x25
8.7		- Key, supplied with Axle	N/A	3/16x1
8.8		- Washer, Stainless Steel		M6
8.9		- SHCS, Stainless Steel		M6x8
9	□	- Gear Motor code A, 3 X 230/460 VAC 60Hz	9634093414	0.5Hp
	□	- Gear Motor code B, 3 X 332/575 VAC 60Hz	9634093416	0.5Hp
	□	- Gear Motor code D, 3 X 230/400 VAC 50Hz	9634093418	0.5Hp
9.1		- Fixing element, supplied with gear motor	N/A	
9.2		- SHCS, supplied with gear motor	N/A	

Note*: Pos. 1 REPAIR: The impeller must be returned to Alfa Laval for repair. Please contact Customer Support.

Note**: Pos. 4: Accessory - not Spare part.

Version	Pos. 8 Drive unit kit	Pos. 8.1 DU flange	Pos. 8.3 Axle
-6, Stainless steel	9634093412	9634093288	9634093286
-7, extended version	9334093520	9634093287	9634093285

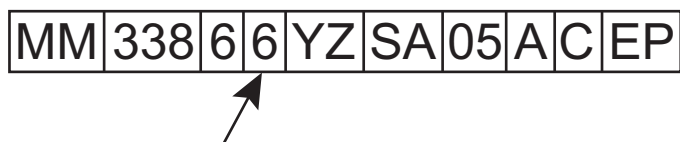
Identification of Magnetic Mixer version

All versions

The version of the Magnetic Mixer can be identified from the article number of the complete mixer. We refer to order acknowledgement or delivery note on which the article number is stated.

Version 6 and 7

In addition to the article number, the version can also be identified from the description code on the plaque (example version 6):



Article number overview

Version 2 & 3

Version 2 Item numbers, complete mixer	Version 3 Item numbers, complete mixer
9614063809	9614063833
9614063810	9614063835
9614063813	(Extended flange)
9614063814	
9614063817	
9614063818	
9614063821	
9614063822	
9614063825	
9614063826	
9614063829	
9614063830	

Note:
- Serial # is stated on the impeller

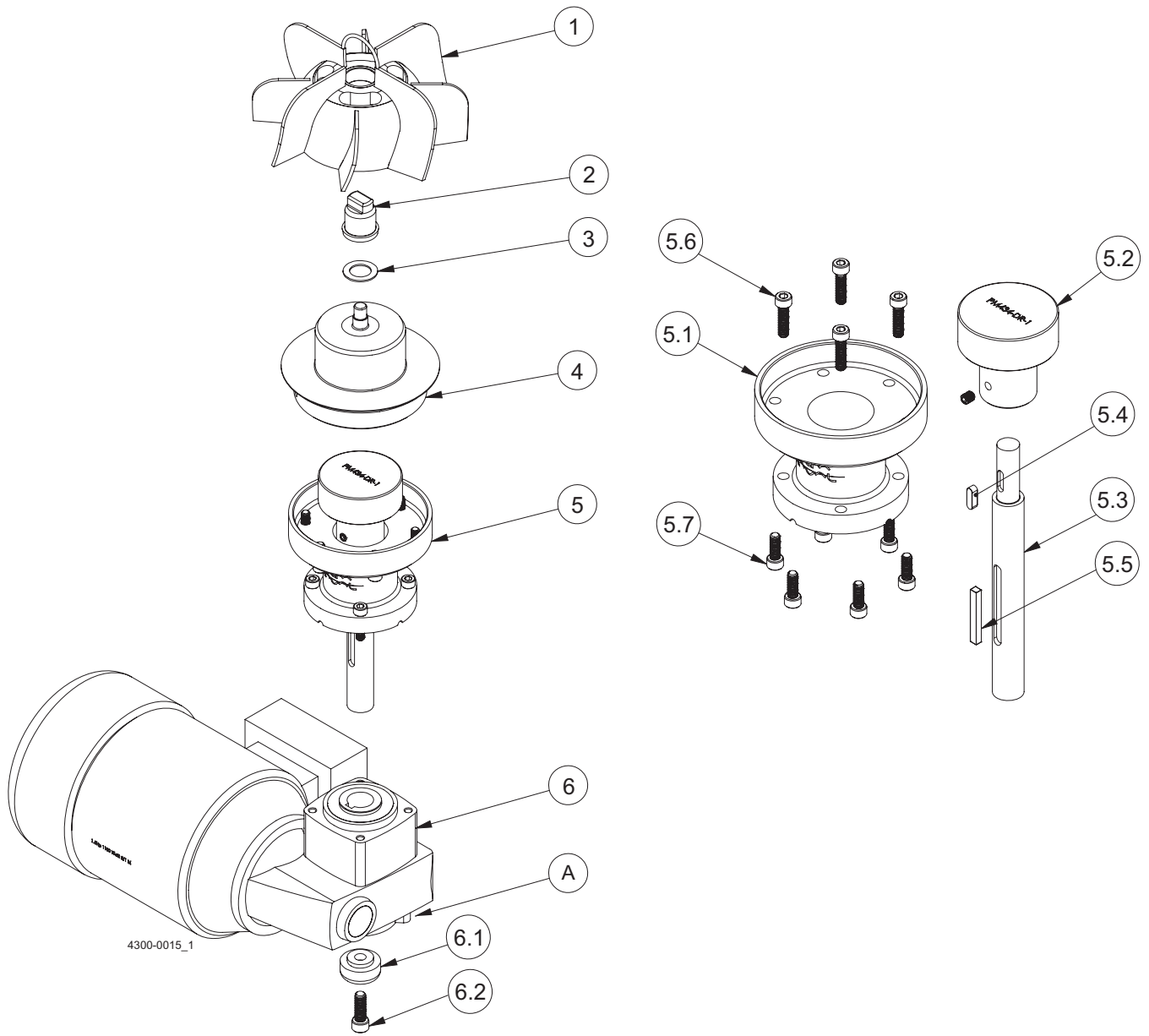
Version 6 & 7

Version 6 Item numbers	Version 7 Item numbers
9614303401	9614307701
9614303402	(Extended flange)
9614303403	
9614303404	
9614303405	
9614303406	
9614303407	
9614303408	
9614303409	
9614303410	
9614303411	
9614303412	

Note:
- Serial # is stated on the plaque

This page is intentionally left blank

-2 and -3 versions



Pos. A: No fixing element cover = version 2 or 3

Parts list, Magnetic Mixer MM434
-2 and -3 versions

Pos	Qty	Denomination	Item no.	Size
1	<input type="checkbox"/>	- IMP, PM4348"-HSA IMPELLER, new (20 Ra max)	9634086383	8
	<input type="checkbox"/>	- IMP, PM43410"-HSA IMPELLER, new (20 Ra max)	9634086384	10
	<input type="checkbox"/>	- IMP, PM4348"-HSA-EP, new (20 Ra max plus Electro polish)	9634086515	8
	<input type="checkbox"/>	- IMP, PM43410"-HSA-EP, new (20 Ra max plus Electro polish)	9634086516	10
1*	<input type="checkbox"/>	- MM434-IMPFB-REPAIR, Replacement of female bearing	9634086487	All
	<input type="checkbox"/>	- MM434-IMPFB-REPAIR-EP, Replacement of female bearing +EP	9634089580	All
2		- Male Bearing, YTZP (Zirconia Ceramic)	9634086143	
3		- Male Bearing Gasket, ISOLAST® PerFluoro elastomer	9634086145	
4		- Weld Plate, 316L Stainless Steel	9634086404	Accy**
5	<input type="checkbox"/>	- Drive unit kit, See table below		
5.1	<input type="checkbox"/>	- DU flange, See table below		
5.2		- Drive Rotor	9634086129	
5.3	<input type="checkbox"/>	- Axle, see table below		
5.4		- Key	N/A	M6x20
5.5		- Key, supplied with gear motor	N/A	M8x7x65
5.6		- SHCS, Stainless Steel		M8x30
5.7		- SHCS, Stainless Steel		M8x22
6	<input type="checkbox"/>	- Gear Motor code A, 3 X 230/460 VAC 60Hz	9634086554	1.5Hp
	<input type="checkbox"/>	- Gear Motor code B, 3 X 332/575 VAC 60Hz	9634086555	1.5Hp
	<input type="checkbox"/>	- Gear Motor code C, 3 X 205/355 VAC 50Hz	9634086527	1.5Hp
	<input type="checkbox"/>	- Gear Motor code D, 3 X 230/400 VAC 50Hz	9634086556	1.5Hp
6.1		- Fixing Element, supplied with gear motor	N/A	
6.2		- SHCS, supplied with gear motor	N/A	M10

Note*: Pos. 1 REPAIR: The impeller must be returned to Alfa Laval for repair. Please contact Customer Support.

Note**: Pos. 4: Accessory - not Spare part.

Version	Pos. 5 Drive unit kit	Pos. 5.1 DU flange	Pos. 5.3 Axle
-2, Stainless steel	9634086469	9634086432	9634086126
-3, extended version	9634086558	9634086562	9634086561

Conversion Kit to be used when upgrading the -2 or -3 Gear motor to the -6 Drive Unit:

9614452002 MM434-6-DU CONVERSION KIT

Note: Drive rotor from existing Drive Unit to be re-used.

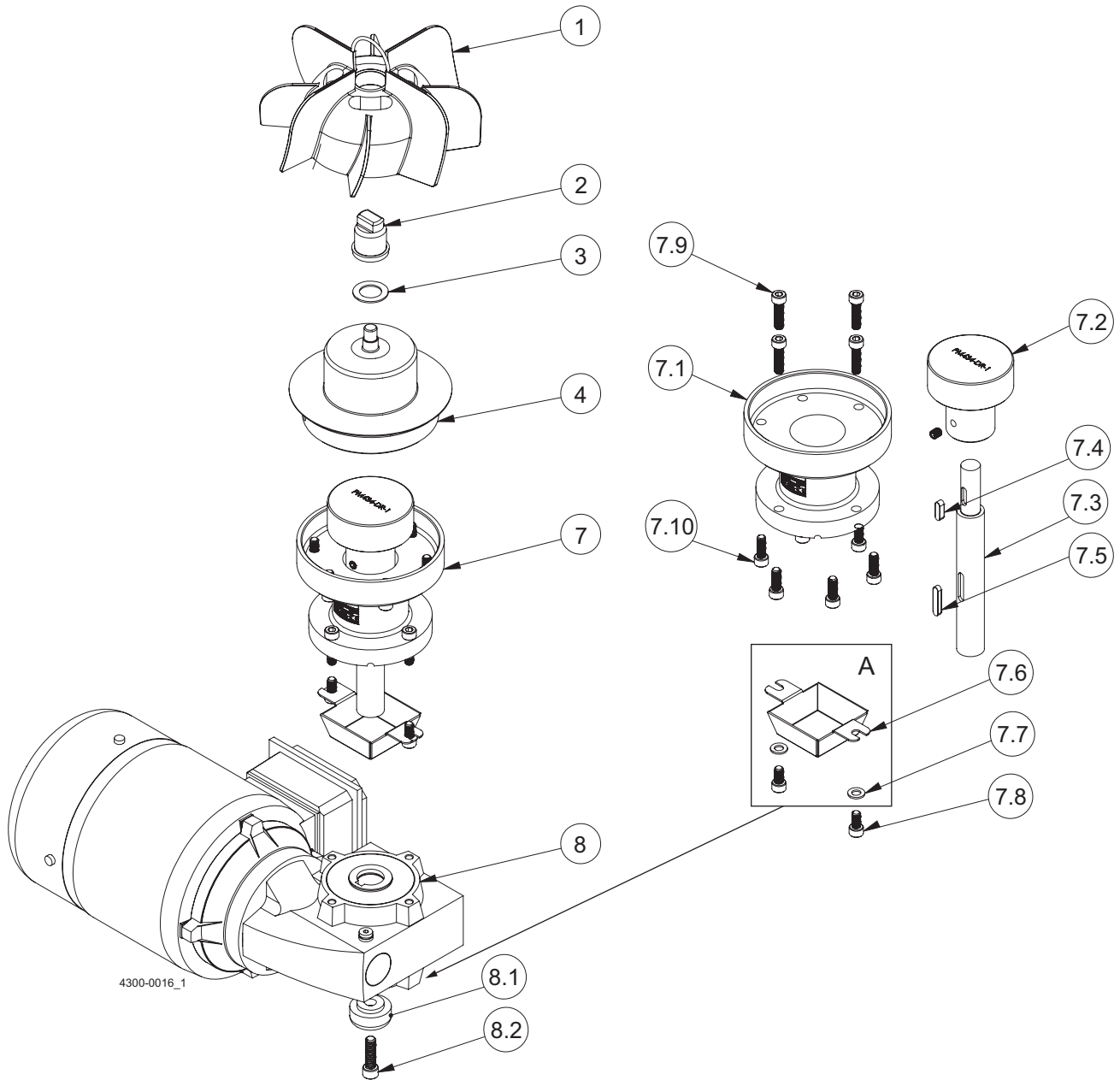
Conversion Kit to be used when upgrading the -2 or -3 Gear motor to the -7 Drive Unit:

9636000498 MM434-7-DU CONVERSION KIT

Note: Drive rotor from existing Drive Unit to be re-used.

-6 and -7 versions

4.4



Parts List, Magnetic Mixer MM434
-6 and -7 versions

Pos	Qty	Denomination	Item no.	Size
1	<input type="checkbox"/>	- IMP, PM4348"-HSA IMPELLER, new (20 Ra max)	9634086383	8
	<input type="checkbox"/>	- IMP, PM43410"-HSA IMPELLER, new (20 Ra max)	9634086384	10
	<input type="checkbox"/>	- IMP, PM4348"-HSA-EP, new (20 Ra max plus Electro polish)	9634086515	8
	<input type="checkbox"/>	- IMP, PM43410"-HSA-EP, new (20 Ra max plus Electro polish)	9634086516	10
1*	<input type="checkbox"/>	- MM434-IMPFB-REPAIR, Replacement of female bearing	9634086487	All
	<input type="checkbox"/>	- MM434-IMPFB-REPAIR-EP, Replacement of female bearing +EP	9634089580	All
2		- Male Bearing, YTZP (Zirconia Ceramic)	9634086143	
3		- Male Bearing Gasket, ISOLAST® PerFluoro elastomer	9634086145	
4		- Weld Plate, 316L Stainless Steel	9634086404	Accy**
7	<input type="checkbox"/>	- Drive Unit Kit, see table below		
7.1	<input type="checkbox"/>	- DU Flange, see table below		
7.2		- Drive Rotor	9634086129	
7.3	<input type="checkbox"/>	- Axle, see table below		
7.4		- Key	N/A	M6x20
7.5		- Key, supplied with gear motor	N/A	M8x7x65
7.6		- Fixing element cover, Stainless Steel	9634093421	
7.7		- Washer, Stainless Steel		M8
7.8		- SHCS, Stainless Steel		M8x16
7.9		- SHCS, Stainless Steel		M8x30
7.10		- SHCS, Stainless Steel		M8x22
8	<input type="checkbox"/>	- Gear Motor code A, 3 X 230/460 VAC 60Hz	9634093415	1.5Hp
	<input type="checkbox"/>	- Gear Motor code B, 3 X 332/575 VAC 60Hz	9634093417	1.5Hp
	<input type="checkbox"/>	- Gear Motor code D, 3 X 230/400 VAC 50Hz	9634093419	1.5Hp
8.1		- Fixing Element, supplied with gear motor	N/A	
8.2		- SHCS, supplied with gear motor	N/A	M10

Note*: Pos. 1 REPAIR: The impeller must be returned to Alfa Laval for repair. Please contact Customer Support.

Note**: Pos. 4: Accessory - not Spare part.

Version	Pos. 7 Drive unit kit	Pos. 7.1 DU flange	Pos. 7.3 Axle
-6, Stainless steel	9634093413	9634093282	9634093283
-7, extended version	9634093521	9634093284	9634093281

Identification of Magnetic Mixer version

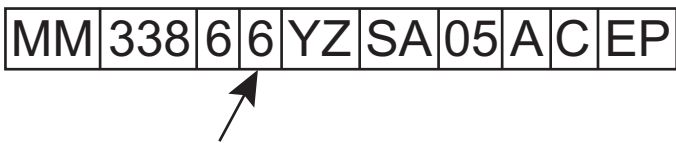
All versions

The version of the Magnetic Mixer can be identified from the article number of the complete mixer.

We refer to order acknowledgement or delivery note on which the article number is stated.

Version 6 and 7

In addition to the article number, the version can also be identified from the description code on the plaque (example version 6):



Article number overview

Version 2 & 3

Version 2 Article numbers, complete mixer	Version 3 Article numbers, complete mixer
9614063913	9614063949
9614063914	(Extended flange)
9614063919	
9614063920	
9614063925	
9614063926	
9614063931	
9614063932	
9614063937	
9614063938	
9614063943	
9614063944	

Note:

- Serial # is stated on the impeller

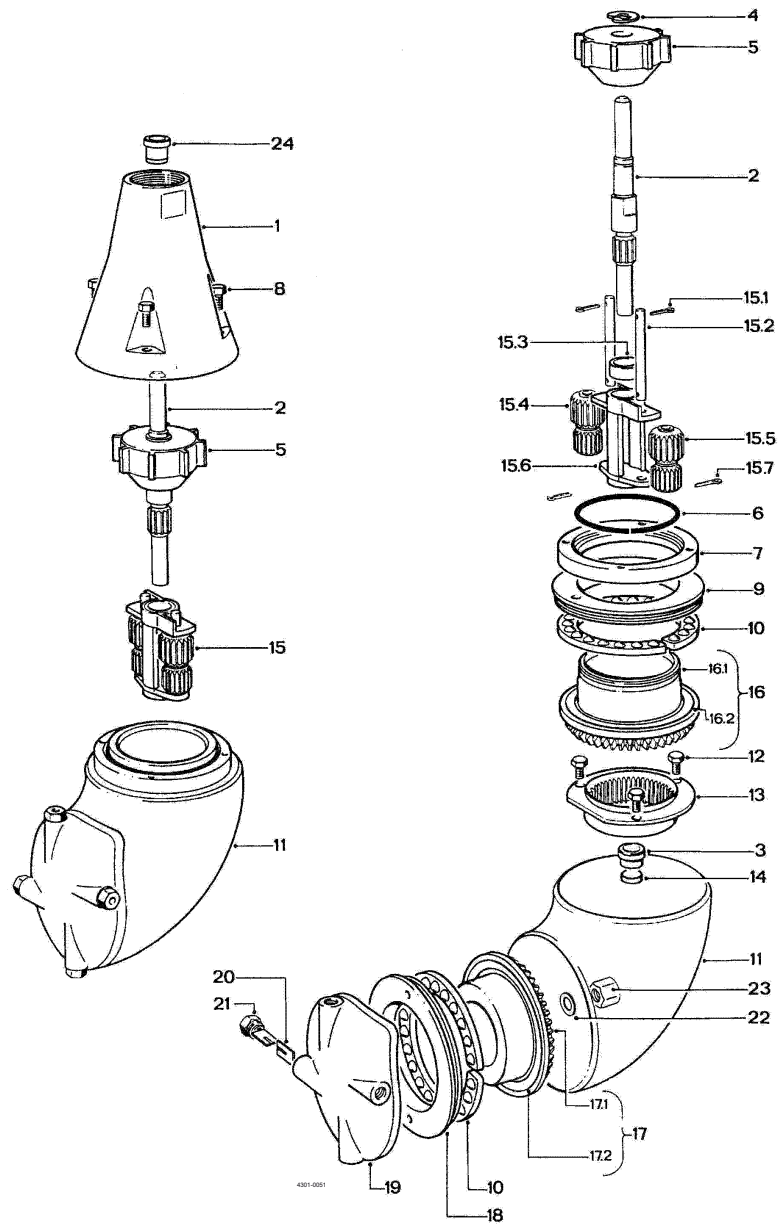
Version 6 & 7

Version 6 Article numbers, complete mixer	Version 7 Article numbers, complete mixer
9614303501	9614307801
9614303502	9614343901
9614303503	(Extended flange)
9614303504	
9614303505	
9614303506	
9614303507	
9614303508	
9614303509	
9614303510	
9614303511	
9614303512	

Note:

- Serial # is stated on the plaque

This page is intentionally left blank



Pos	Qty	Denomination	Article no.	Material	Remarks
1	1	Cone 1" BSP	TE20G508	Stainless steel	Spare part
2	1	Turbine shaft	TE30B511	Stainless steel	Spare part
3 ♦	1	Bearing for turbine shaft (body)	TE20G640	Polymer	Wear part
4	1	Circlip RS 10, DIN 6799	TE51C201	Stainless steel	Spare part
5 □	1	Impeller, (ø3.5/3.9 mm nozzle)	TE20G553	Polymer	Spare part
	1	Impeller, (ø4.5/4.6 mm nozzle)	TE20G554	Polymer	Spare part
	1	Impeller, (ø5,5 mm nozzle)	TE20G555	Polymer	Spare part
6	1	Retainer spring	TE20G565	Stainless steel	Spare part
7	1	Retaining ring	TE20G563	Stainless steel	Spare part
8	4	Screw	TE51A172	Stainless steel	Spare part
9 ♦	1	Stem nut with ball race	TE20G571	Stainless steel	Wear part
10 ♦	2	Ball retainer with balls	TE30B302	PFA/Stainless steel	Wear part
11	1	Body		Stainless steel	*Note
12	3	Screw	TE51A170	Stainless steel	Spare part
13	1	Internal gear	TE20G525	Stainless steel	Spare part
14 ♦	1	Slide bearing	TE20G641	Polymer	Wear part
15	1	Planet complete	TE30B307	Assembly	Spare part
15.1♦	2	Cotter pin	TE51C102	Stainless steel	Spare part
15.2	2	Shaft for Planet wheel	TE30B514	Stainless steel	Spare part
15.3♦	1	Bearing for Planet wheel carrier	TE20G642	Polymer	Wear part
15.4♦	1	Planet wheel I	TE20G643	Polymer	Wear part
15.5♦	1	Planet wheel II	TE20G644	Polymer	Wear part
15.6	1	Planet gear carrier	TE20G530	Stainless steel	Spare part
15.7	2	Cotter pin (=15.1)	TE51C102	Stainless steel	Spare part
16	1	Stem complete	TE20G319	Stainless steel	Spare part
16.1	1	Stem	TE20G624	Stainless steel	Spare part
16.2♦	1	Ball race	TE20G574	Stainless steel	Wear part
17	1	Hub complete	TE20G320	Stainless steel	Spare part
17.1	1	Hub	TE20G625	Stainless steel	Spare part
17.2	1	Ball race (= pos. 16.2)	TE20G574	Stainless steel	Wear part
18 ♦	1	Hub nut with ball race	TE20G573	Stainless steel	Wear part
19 □	1	Hub cover with pin		Stainless steel	**Note
	1	Hub cover with vanes and logo	TE20G620	Stainless steel	Spare part
20	8	Nozzle vane	TE20G594	Stainless steel	Spare part
21 □	4	Nozzle, ø3.9 mm	TE20G608	Stainless steel	Spare part
	4	Nozzle, ø4.6 mm	TE20G609	Stainless steel	Spare part
	4	Nozzle, ø5.5 mm	TE20G605	Stainless steel	Spare part
22 ♦	1	Washer, USIT	TE20G584	Stainless steel/elastomer	Spare part
23	1	Cap nut	TE51A521	Stainless steel	Spare part
24 ♦	1	Bearing for turbine shaft (cone)	TE20G548	Polymer	Wear part

**Note pos. 19: For machine maintenance/repair, please order item no. TE20G390.

*Note: Pos. 11 is not sold as single Spare part component but only as part of a machine maintenance/repair order. For further information please contact Alfa Laval Customer Support.

□ Configuration according to delivery note/order.

Service kit

♦ **Service kit for Alfa Laval IM 10** **TE30B292**

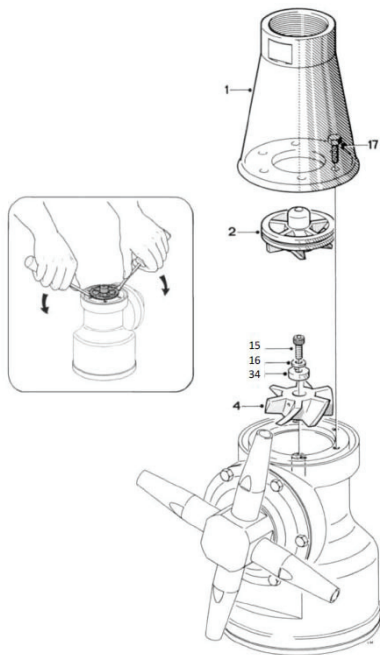
Parts marked with ♦ are included in the Service Kit for Alfa Laval IM 10: TE30B292

Pos	Qty	Denomination	Item no.
		Tools	
		Standard Tool Kit for Alfa Laval IM 10 Rotary Jet Mixer	TE81B085
		Consisting of:	
	-	5 mm caliper	TE369
	-	8 mm socket wrench with pin	TE462A
	-	Spanner, 36 mm	TE81B040
	-	Spanner, 12/13 mm	TE81B041
		Additional tool available on request	
		Fixture tool kit for body	TE20J386

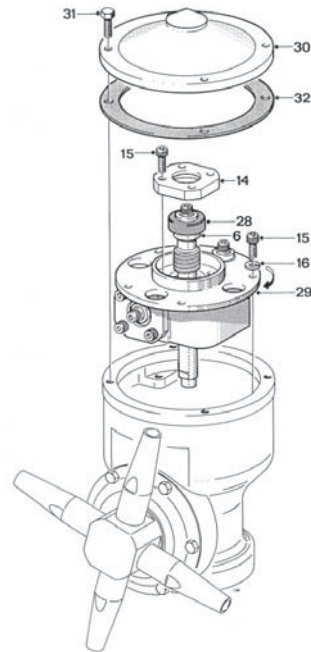
Depicted with 4 nozzles

4.4

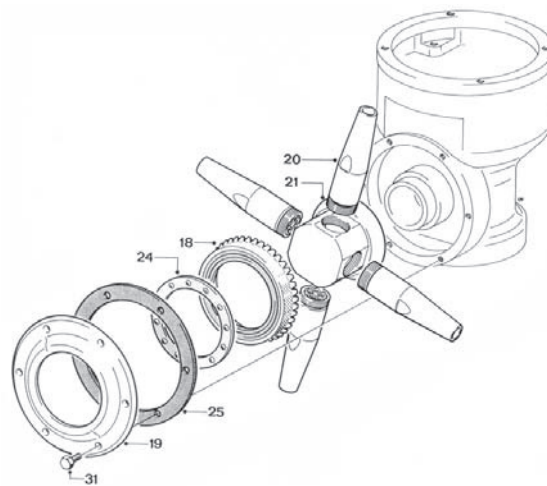
Top assembly



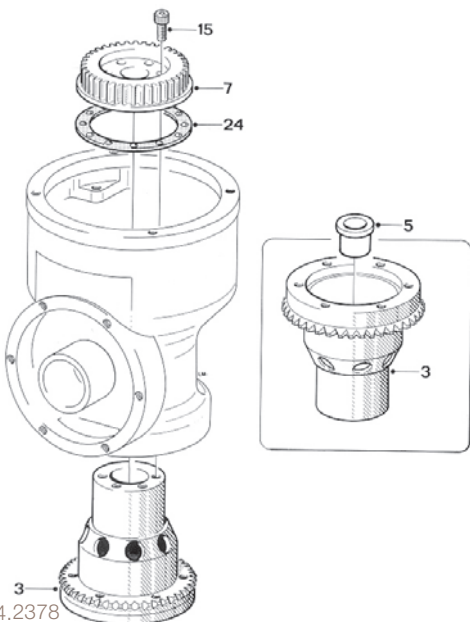
Bottom assembly



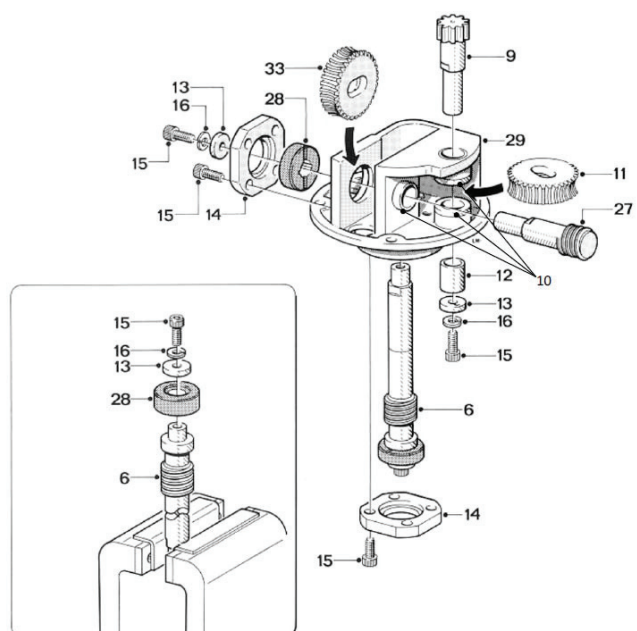
Hub subassembly



Stem subassembly



Gear subassembly



Reference list of parts, IM 15 Rotary Jet Head with 2 nozzles

Pos	Qty	Denomination	Article no.	Material	Remarks
1	<input type="checkbox"/>	1 Top Cone 1½" BSP	TE21D500	Stainless steel	Spare part
	<input type="checkbox"/>	1 Top Cone 1½" NPT	TE21D501	Stainless steel	Spare part
2	<input type="checkbox"/>	1 Guide 100%	TE703	Stainless steel	Spare part
	<input type="checkbox"/>	1 Guide ring 0%	TE8030	Stainless steel	Spare part
3	1	1 Stem	TE21B526	Stainless steel	Spare part
4	1	1 Impeller 100%	TE31B512	Stainless steel	Spare part
5	1	1 Main bush	TE21A526	Polymer	Wear part
6	1	1 Turbine shaft	TE31B511	Stainless steel	Wear part
7	1	1 Gear wheel w. ball race	TE31B304	Stainless steel	Spare part
7.1	(1)	1 Ball race	TE31B510	Stainless steel	Wear part
9	1	1 Pinion	TE814	Stainless steel	Spare part
10	3	3 Collar bush	TE21A586	Polymer	Wear part
11	<input type="checkbox"/>	1 Worm wheel w. reinforcement	TE21A367	Polymer	Wear part
	<input type="checkbox"/>	1 Worm wheel E-gear	TE21A364	Polymer	Wear part
12	1	1 Journal	TE817	Stainless steel	Spare part
13	3	3 Washer	TE719A	Stainless steel	Spare part
14	2	2 Bearing cover	TE731	Stainless steel	Spare part
15	22	22 Screw	TE118	Stainless steel	Spare part
16	8	8 Spring washer	TE156	Stainless steel	Spare part
17	6	6 Screw	TE402H	Stainless steel	Spare part
18	1	1 Bevel gear w. ball race	TE31B306	Stainless steel	Spare part
18.1	(1)	1 Ball race	TE31B510	Stainless steel	Wear part
19	1	1 Hub cover w. ball race	TE31B305	Stainless steel	Spare part
19.1	(1)	1 Ball race	TE31B510	Stainless steel	Wear part
20	<input type="checkbox"/>	2 Nozzle, ø8 mm	TE50B008	Stainless steel	Spare part
	<input type="checkbox"/>	2 Nozzle, ø9 mm	TE50B009	Stainless steel	Spare part
	<input type="checkbox"/>	2 Nozzle, ø10 mm	TE50B010	Stainless steel	Spare part
	<input type="checkbox"/>	2 Nozzle, ø11 mm	TE50B011	Stainless steel	Spare part
21	1	1 Hub for 2 nozzle	TE21B536	Stainless steel	Spare part
22	1	1 Split pin for 2 nozzle	TE448	Stainless steel	Spare part
23	1	1 Hub nozzle part for 2 nozzle	TE724215	Stainless steel	Spare part
24	2	2 Ball retainer w. balls	TE31B303	Polymer/ceram-ics	Wear part
25	1	1 Hub gasket	TE21D562	Polym./elastom.	Spare part
26	1	1 Body		Stainless steel	*Note
26.1	(1)	1 Main collar upper	TE21B520	Polymer	Wear part
26.2	(1)	1 Main collar lower	TE21B521	Polymer	Wear part
26.3	(1)	1 Ball race	TE31B510	Stainless steel	Wear part
26.4	(1)	1 Hub collar	TE21D522	Polymer	Wear part
27	<input type="checkbox"/>	1 Horizontal shaft	TE828Z	Stainless steel	Wear part
	<input type="checkbox"/>	1 Horizontal shaft E-gear	TE21A550	Stainless steel	Wear part
28	2	2 Slide bearing	TE21A571	Polymer	Wear part
29	1	1 Gear frame	TE730	Stainless steel	Spare part
30	1	1 Bottom cover compl.	TE21D350	Stainless steel	Spare part
31	10	10 Hex Screw	TE421H	Stainless steel	Spare part
32	1	1 Bottom gasket	TE21D563	Polym./elastom.	Spare part
33	1	1 Worm wheel w. reinforcement	TE21A367	Polymer	Wear part
34	1	1 Washer	TE31B515	Stainless steel	Spare part

*Note: Pos. 26 is not sold as single Spare part component but only as part of a machine maintenance/repair order. For further information please contact Alfa Laval Customer Support.

Configuration according to delivery note/order

Please note that some of the polymer parts are in PEEK. PEEK is not resistant to concentrated sulfuric acid

Reference List of Parts, IM 15 Rotary Jet Mixer with 4 nozzles

4.4

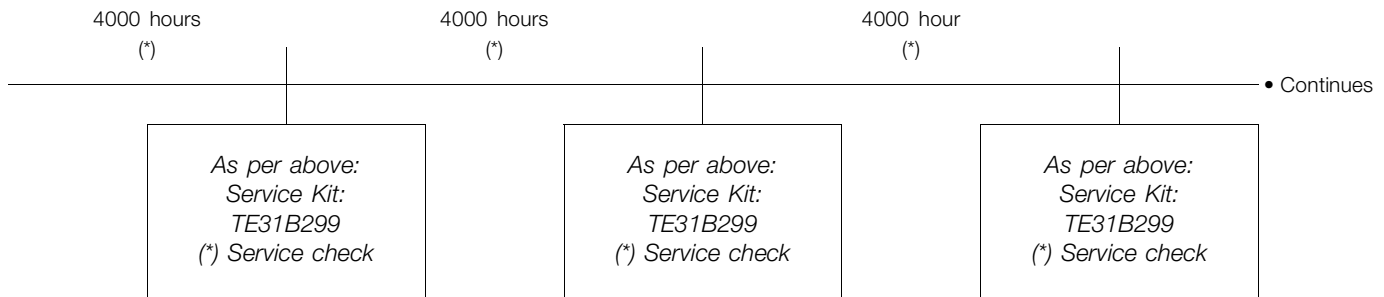
Pos	Qty	Denomination	Article no.	Material	Remarks
1	<input type="checkbox"/>	1 Top Cone 1½" BSP	TE21D500	Stainless steel	Spare part
	<input type="checkbox"/>	1 Top Cone 1½" NPT	TE21D501	Stainless steel	Spare part
2	<input type="checkbox"/>	1 Guide 100%	TE703	Stainless steel	Spare part
	<input type="checkbox"/>	1 Guide ring 0%	TE8030	Stainless steel	Spare part
3		1 Stem	TE21B526	Stainless steel	Spare part
4		1 Impeller 100%	TE31B512	Stainless steel	Spare part
5		1 Main bush	TE21A526	Polymer	Wear part
6		1 Turbine shaft	TE31B511	Stainless steel	Wear part
7		1 Gear wheel w. ball race	TE31B304	Stainless steel	Spare part
7.1	(1)	Ball race	TE31B510	Stainless steel	Wear part
9		1 Pinion	TE814	Stainless steel	Spare part
10		3 Collar bush	TE21A586	Polymer	Wear part
11	<input type="checkbox"/>	1 Worm wheel w. reinforcement	TE21A367	Polymer	Wear part
	<input type="checkbox"/>	1 Worm wheel E-gear	TE21A364	Polymer	Wear part
12		1 Journal	TE817	Stainless steel	Spare part
13		3 Washer	TE719A	Stainless steel	Spare part
14		2 Bearing cover	TE731	Stainless steel	Spare part
15	22	Screw	TE118	Stainless steel	Spare part
16	8	Spring washer	TE156	Stainless steel	Spare part
17	6	Screw	TE402H	Stainless steel	Spare part
18		1 Bevel gear w. ball race	TE31B306	Stainless steel	Spare part
18.1	(1)	Ball race	TE31B510	Stainless steel	Wear part
19		1 Hub cover w. ball race	TE31B305	Stainless steel	Spare part
19.1	(1)	Ball race	TE31B510	Stainless steel	Wear part
20	<input type="checkbox"/>	4 Nozzle, ø6 mm	TE50A006	Stainless steel	Spare part
	<input type="checkbox"/>	4 Nozzle, ø7 mm	TE50A007	Stainless steel	Spare part
	<input type="checkbox"/>	4 Nozzle, ø8 mm	TE50A008	Stainless steel	Spare part
21		1 Hub for 4 nozzle	TE21C536	Stainless steel	Spare part
24	2	Ball retainer w. balls	TE31B303	Polymer/ceram- ics	Wear part
25	1	Hub gasket	TE21D562	Polym./elastom.	Spare part
26	1	Body		Stainless steel	*Note
26.1	(1)	Main collar upper	TE21B520	Polymer	Wear part
26.2	(1)	Main collar lower	TE21B521	Polymer	Wear part
26.3	(1)	Ball race	TE31B510	Stainless steel	Wear part
26.4	(1)	Hub collar	TE21D522	Polymer	Wear part
27	1	Horizontal shaft	TE828Z	Stainless steel	Wear part
	1	Horizontal shaft E-gear	TE21A550	Stainless steel	Wear part
28	2	Slide bearing	TE21A571	Polymer	Wear part
29	1	Gear frame	TE730	Stainless steel	Spare part
30	1	Bottom cover compl.	TE21D350	Stainless steel	Spare part
31	10	Hex Screw	TE421H	Stainless steel	Spare part
32	1	Bottom gasket	TE21D563	Polym./elastom.	Spare part
33	1	Worm wheel w. reinforcement	TE21A367	Polymer	Wear part
34	1	Washer	TE31B515	Stainless steel	Spare part

*Note: Pos. 26 is not sold as single Spare part component but only as part of a machine maintenance/repair order. For further information please contact Alfa Laval Customer Support.

Configuration according to delivery note/order

Please note that some of the polymer parts are in PEEK. PEEK is not resistant to concentrated sulfuric acid

Service intervals



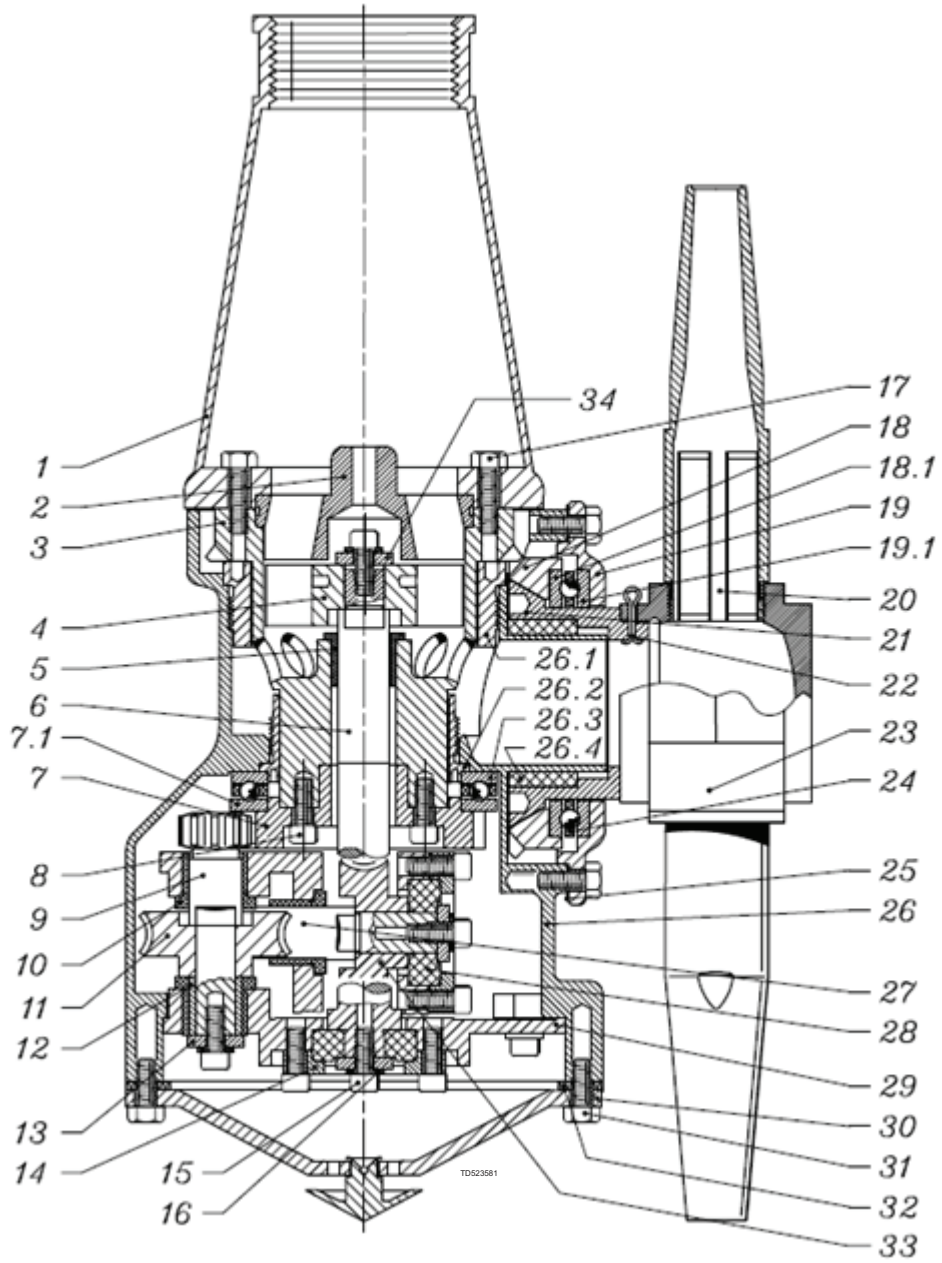
***Note:** The service intervals are recommended on the basis of pure liquids. When liquids contain particles and other kind of abrasives, we recommend shorter service intervals depending on the actual running conditions.

Pos	Qty	Denomination	item no.
		Standard Spare part Service Kit for IM 15 Rotary Jet Mixer	TE31B299
Consisting of:			
5	1	Main bush	TE21A526
6	1	Turbine shaft	TE31B511
7.1	1	Ball race	TE31B510
10	3	Collar bush	TE21A586
11	2	Worm wheel w. reinforcement	TE21A367
18.1	1	Ball race	TE31B510
19.1	1	Ball race	TE31B510
24	2	Ball retainer with balls	TE31B303
26.3	1	Ball race	TE31B510
27	1	Horizontal shaft	TE828Z
28	2	Slide bearing	TE21A571

Pos	Qty	Denomination	Item no.
		Standard Tool Kit for IM 15 Rotary Jet Mixer	TE81B055
Consisting of:			
-	1	Hex key for 3/16" screw	TE134
	2	Screw driver for 3/16" screw	TE134A
	1	8 mm Socket wrench w. pin	TE462A

Special Tools for IM 15 Rotary Jet Mixer
Available on request:

Pos	Qty	Denomination	Item no.
-	1	Pusher f. 1½" machines	TE81B033
	1	Tool f. Upper Collar (1½" TCM) Compl.	TE81B129
	1	Tool f. Lower Collar (1½" TCM) Compl.	TE81B130



Pos	Qty	Denomination	Item no.	Material	Remark
Part List - Alfa Laval Rotary Jet Mixer IM 20 with 2 nozzles					
1	<input type="checkbox"/>	1 Top cone, 2" BSP	TE22D500	Stainless steel	Spare part
	<input type="checkbox"/>	1 Top cone, 2" NPT	TE22D501	Stainless steel	Spare part
2		1 Guide ring, 0%	TE1030	Stainless steel	Spare part
3		1 Stem	TE32B526	Stainless steel	Spare part
4		1 Impeller, 100%	TE32B508	Stainless steel	Spare part
5	♦	1 Main bush	TE32B576	Polymer	Wear part
6	♦	1 Turbine shaft	TE32B511	Stainless steel	Wear part
7		1 Gear wheel w. ball race	TE32B303	Stainless steel	Spare part
7.1	♦	1 Ball race	TE32B510	Stainless steel	Wear part
8		6 Screw	TE120	Stainless steel	Spare part
9		1 Pinion	TE114	Stainless steel	Spare part
10	♦	3 Collar bush	TE22A586	Polymer	Wear part
11	<input type="checkbox"/>	1 Worm wheel	TE22A365	Polymer	Wear part
	<input type="checkbox"/>	1 Worm wheel, E-gear	TE22A364	Polymer	Wear part
12		1 Journal	TE117	Stainless steel	Spare part
13		9 Spring washer	TE156	Stainless steel	Spare part
14		2 Bearing cover	TE531	Stainless steel	Spare part
15	17	Screw	TE118	Stainless steel	Spare part
16	3	Washer	TE619A	Stainless steel	Spare part
17	8	Screw	TE902H	Stainless steel	Spare part
18		1 Bevel gear with ball race	TE32B307	Stainless steel	Spare part
18.1	♦	1 Ball race	TE32B510	Stainless steel	Wear part
19		1 Hub cover with ball race	TE32B306	Stainless steel	Spare part
19.1	♦	1 Ball race	TE32B510	Stainless steel	Wear part
20	<input type="checkbox"/>	2 Nozzle, Ø12	TE50C012	Stainless steel	Spare part
	<input type="checkbox"/>	2 Nozzle, Ø13	TE50C013	Stainless steel	Spare part
	<input type="checkbox"/>	2 Nozzle, Ø14	TE50C014	Stainless steel	Spare part
	<input type="checkbox"/>	2 Nozzle, Ø15	TE50C015	Stainless steel	Spare part
21		1 Hub conical part	TE32B534	Stainless steel	Spare part
22		1 Cotter pin	TE448	Stainless steel	Wear part
23		1 Hub nozzle part for 2 nozzle	TE624215	Stainless steel	Wear part
24	♦	2 Ball retainer with balls	TE32B302	Polymer/ceram-ics	Wear part
25		1 Hub gasket	TE22D553	Polymer/elastomer	Spare part
26		1 Body ¹⁾		Stainless steel	N/A
26.1		1 Main collar upper	TE32B577	Polymer	Wear part
26.2		1 Main collar lower	TE32B578	Polymer	Wear part
26.3	♦	1 Ball race	TE32B510	Stainless steel	Wear part
26.4		1 Hub collar	TE32B575	Polymer	Wear part
27	<input type="checkbox"/>	1 Horizontal shaft	TE128Z	Stainless steel	Wear part
	<input type="checkbox"/>	1 Horizontal shaft, E-gear	TE128E	Stainless steel	Wear part
28	♦	2 Slide bearing	TE22A571	Polymer	Wear part
29		1 Gear frame	TE630	Stainless steel	Spare part
30		1 Bottom cover, compl.	TE32B350	Stainless steel	Spare part
31	12	Screw	TE421H	Stainless steel	Spare part
32		1 Bottom gasket	TE22D554	Polymer/elastomer	Spare part
33	♦	1 Worm wheel	TE22A365	Polymer	Wear part
34		1 Washer	TE32B515	Stainless steel	Spare part

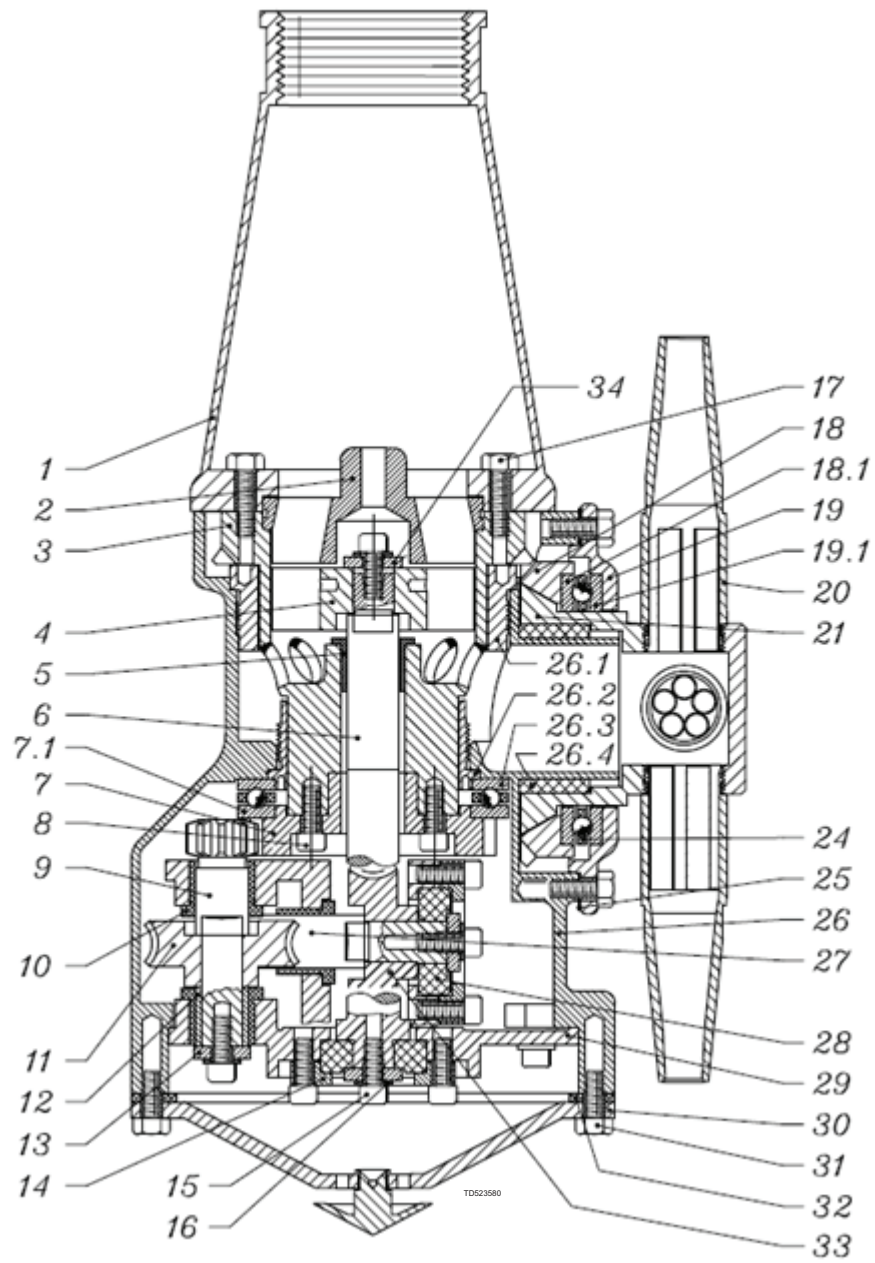
Service kits

- ♦ **Service Kit - machines delivered after December 27, 2010.**
From serial no. 1012-002 **TE32B299**

Parts marked with ♦ are included in the Service Kit TE32B299

¹⁾ Pos. 26 is not sold as single spare part component. Only sold as part of a machine maintenance/repair order. For further information please contact Alfa Laval Customer Support.

Configuration according to delivery note/order.



Pos	Qty	Denomination	Item no.	Material	Remark
Part List - Alfa Laval Rotary Jet Mixer IM 20 with 4 nozzles					
1	<input type="checkbox"/>	1 Top cone, 2" BSP	TE22D500	Stainless steel	Spare part
	<input type="checkbox"/>	1 Top cone, 2" NPT	TE22D501	Stainless steel	Spare part
2	<input type="checkbox"/>	1 Guide, 100%	TE603	Stainless steel	Spare part
	<input type="checkbox"/>	1 Guide ring, 0%	TE1030	Stainless steel	Spare part
3		1 Stem	TE32B526	Stainless steel	Spare part
4		1 Impeller, 100%	TE32B508	Stainless steel	Spare part
5	◆	1 Main bush	TE32B576	Polymer	Wear part
6	◆	1 Turbine shaft	TE32B511	Stainless steel	Wear part
7		1 Gear wheel w. ball race	TE32B303	Stainless steel	Spare part
7.1	◆	1 Ball race	TE32B510	Stainless steel	Wear part
8		6 Screw	TE120	Stainless steel	Spare part
9		1 Pinion	TE114	Stainless steel	Spare part
10	◆	3 Collar bush	TE22A586	Polymer	Wear part
11	<input type="checkbox"/>	1 Worm wheel, w. reinforcement	TE22A365	Polymer	Wear part
	<input type="checkbox"/>	1 Worm wheel, E-gear	TE22A364	Polymer	Wear part
12		1 Journal	TE117	Stainless steel	Spare part
13		3 Washer	TE619A	Stainless steel	Spare part
14		2 Bearing cover	TE531	Stainless steel	Spare part
15	17	Screw	TE118	Stainless steel	Spare part
16		9 Spring washer	TE156	Stainless steel	Spare part
17		8 Screw	TE902H	Stainless steel	Spare part
18		1 Bevel gear with ball race	TE32B307	Stainless steel	Spare part
18.1	◆	1 Ball race	TE32B510	Stainless steel	Wear part
19		1 Hub cover with ball race	TE32B306	Stainless steel	Spare part
19.1	◆	1 Ball race	TE32B510	Stainless steel	Wear part
20	<input type="checkbox"/>	4 Nozzle, ø8	TE50B008	Stainless steel	Spare part
	<input type="checkbox"/>	4 Nozzle, ø9	TE50B009	Stainless steel	Spare part
	<input type="checkbox"/>	4 Nozzle, ø10	TE50B010	Stainless steel	Spare part
	<input type="checkbox"/>	4 Nozzle, ø11	TE50B011	Stainless steel	Spare part
21		1 Hub for 4 nozzle	TE32B536	Stainless steel	Spare part
24	◆	2 Ball retainer with balls	TE32B302	Polymer/ceram-ics	Wear part
25		1 Hub gasket	TE22D553	Polymer/elastomer	Spare part
26		1 Body ¹⁾		Stainless steel	N/A
26.1		1 Main collar upper	TE32B577	Polymer	Wear part
26.2		1 Main collar lower	TE32B578	Polymer	Wear part
26.3	◆	1 Ball race	TE32B510	Stainless steel	Wear part
26.4		1 Hub collar	TE32B575	Polymer	Wear part
27	<input type="checkbox"/>	1 Horizontal shaft	TE128Z	Stainless steel	Wear part
	<input type="checkbox"/>	1 Horizontal shaft, E-gear	TE128E	Stainless steel	Wear part
28	◆	2 Slide bearing	TE22A571	Polymer	Wear part
29		1 Gear frame	TE630	Stainless steel	Spare part
30		1 Bottom cover, compl.	TE32B350	Stainless steel	Spare part
31	12	Screw	TE421H	Stainless steel	Spare part
32		1 Bottom gasket	TE22D554	Polymer/elastomer	Spare part
33	◆	1 Worm wheel, w. reinforcement	TE22A365	Polymer/Stainless steel	Wear part
34		1 Washer	TE32B515	Stainless steel	Spare part

Service kits

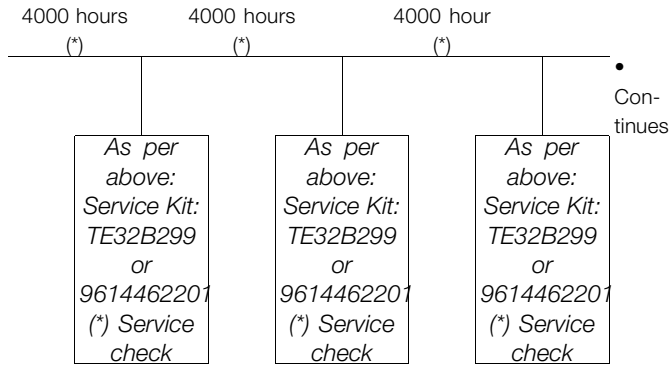
- ◆ **Service Kit - machines delivered after December 27, 2010.**
From serial no. 1012-002 **TE32B299**

Parts marked with ◆ are included in the Service Kit TE32B299

¹⁾ Pos. 26 is not sold as single spare part component. Only sold as part of a machine maintenance/repair order. For further information please contact Alfa Laval Customer Support.

Configuration according to delivery note/order.

Service intervals

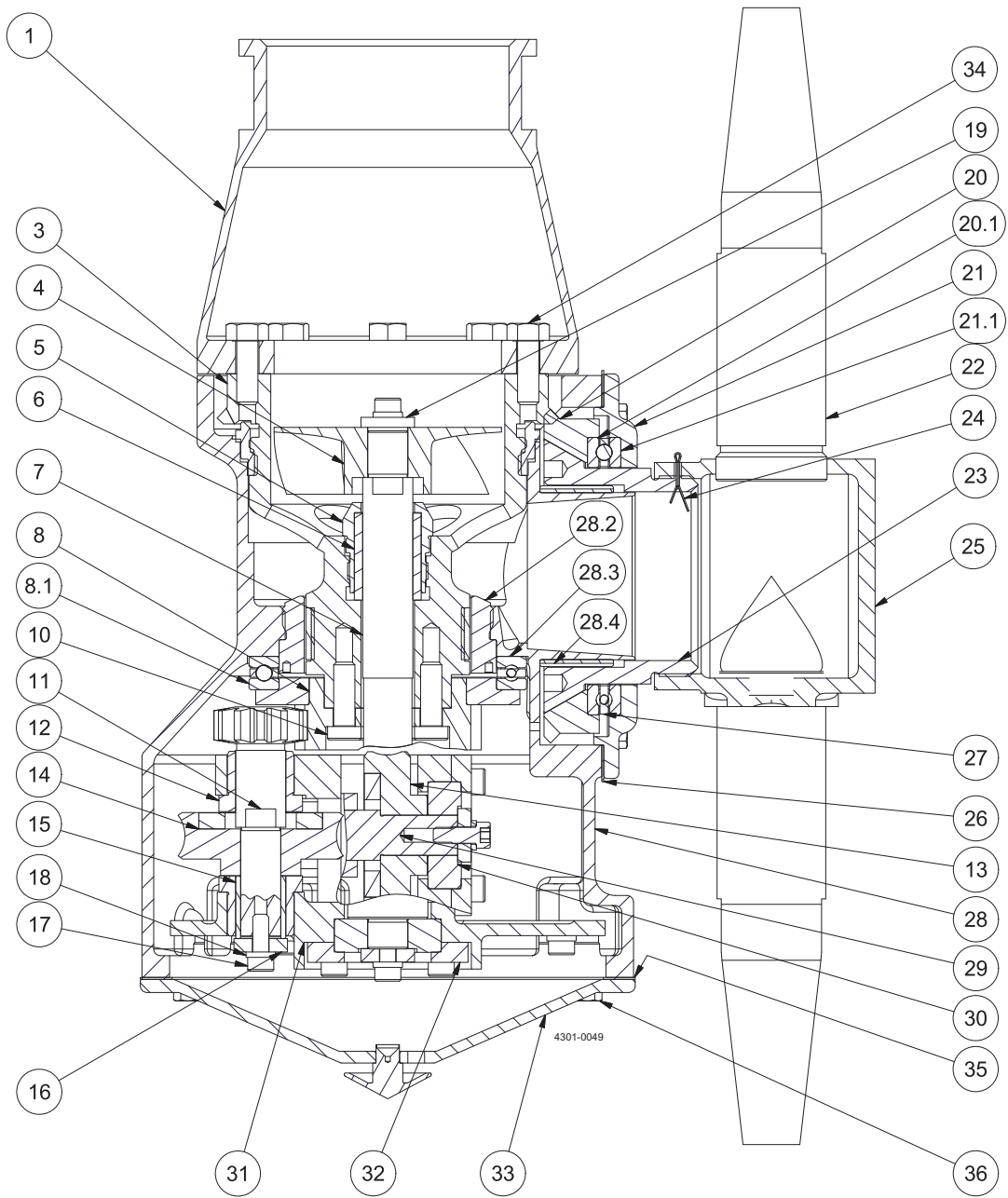


***Note:** The service intervals are recommended on the basis of pure liquids. When liquids contain particles and other kind of abrasives, we recommend shorter service intervals depending on the actual running conditions.

Tools

Pos	Qty Denomination	Tool no.
	Standard tool kit	TE81B075
Consisting of:		
1	Hex key	TE134
1	Hex screwdriver	TE134A
1	Hex key	TE135
1	Hex screwdriver	TE135A
1	Open-end spanner	TE462
Available on request:		
	Pusher for Gear frame	TE81B031
	Fixture set f. Gear frame	TE81B032

This page is intentionally left blank



Pos	Qty	Denomination	Item no.	Material 1	Material 2	Remark
1	1	Top Cone 2½" BSP	TE33B510	Stainless steel		Spare part
3	1	Stem with liners	TEB604Z	Polymer	Stainless steel	Spare part
4	1	Impeller 100%	TE33B508	Stainless steel		Spare part
5	1	Gland	TE608Z	Stainless steel		Spare part
6 ♦	1	Main Bush	TE609P	Polymer		Wear part
7	1	Turbine shaft	TE32B511	Stainless steel		Wear part
8	1	Gear wheel w. Ball race	TE32B303	Stainless steel		Spare part
8.1 ♦	1	Ball race	TE32B510	Stainless steel		Wear part
10	6	Screw	TE120	Stainless steel		Spare part
11	1	Pinion	TE114	Stainless steel		Spare part
12 ♦	3	Collar bush	TE22A586	Polymer		Wear part
13 ♦	1	Worm wheel w. reinforcem.	TE22A365	Polymer	Stainless steel	Wear part
14 ♦	1	Worm wheel w. reinforcem.	TE22A364	Polymer	Stainless steel	Wear part
15	1	Journal	TE117	Stainless steel		Spare part
16	3	Washer	TE619A	Stainless steel		Spare part
17	17	Screw	TE118	Stainless steel		Spare part
18	9	Spring washer	TE156	Stainless steel		Spare part
19	1	Washer	TE32B515	Stainless steel		Spare part
20	1	Bevel gear w. Ball race	TE32B307	Stainless steel		Spare part
20.1♦	1	Ball race	TE32B510	Stainless steel		Wear part
21	1	Hub cover w. Ball race	TE32B306	Stainless steel		Spare part
21.1♦	1	Ball race	TE32B510	Stainless steel		Wear part
22 □	2	Nozzle, ø15	TE50C015	Stainless steel		Spare part
□	2	Nozzle, ø16	TE50C016	Stainless steel		Spare part
□	2	Nozzle, ø17	TE50C017	Stainless steel		Spare part
□	2	Nozzle, ø18	TE50C018	Stainless steel		Spare part
□	2	Nozzle, ø19	TE50C019	Stainless steel		Spare part
□	2	Nozzle, ø20	TE50C020	Stainless steel		Spare part
□	2	Nozzle, ø21	TE50C021	Stainless steel		Spare part
23	1	Hub conical part	TE32B534	Stainless steel		Spare part
24	1	Cotter Pin	TE448	Stainless steel		Spare part
25	1	Hub nozzle part	TE624215	Stainless steel		Spare part
26	1	Hub gasket	TE22D553	Modified	Elastomer	Spare part
27 ♦	2	Ball retainer w. balls	TE32B302	polymer	Stainless steel	Wear part
28	1	Body		Polymer	Stainless steel	*Note
28.2	1	Main collar lower	TE22E516	Stainless steel		Wear part
28.3♦	1	Ball race	TE32B510	Stainless steel		Wear part
28.4	1	Hub collar	TE33B575	Polymer		Wear part
29	1	Horizontal shaft, E-gear	TE128E	Stainless steel		Wear part
30 ♦	2	Slide Bearing	TE22A571	Polymer		Wear part
31	1	Gear frame	TE630	Stainless steel		Spare part
32	2	Bearing cover	TE531	Stainless steel		Spare part
33	1	Bottom cover	TE32B350	Stainless steel		Spare part
34	8	Screw	TE902H	Stainless steel		Spare part
35	1	Bottom gasket	TE22D554	Modified	Elastomer	Spare part
36	12	Screw	TE421H	polymer	Stainless steel	Spare part

Parts marked with ♦ are included in the Standard Spare part Kit standard: TE33B299

The machine can be delivered with ATEX certification.

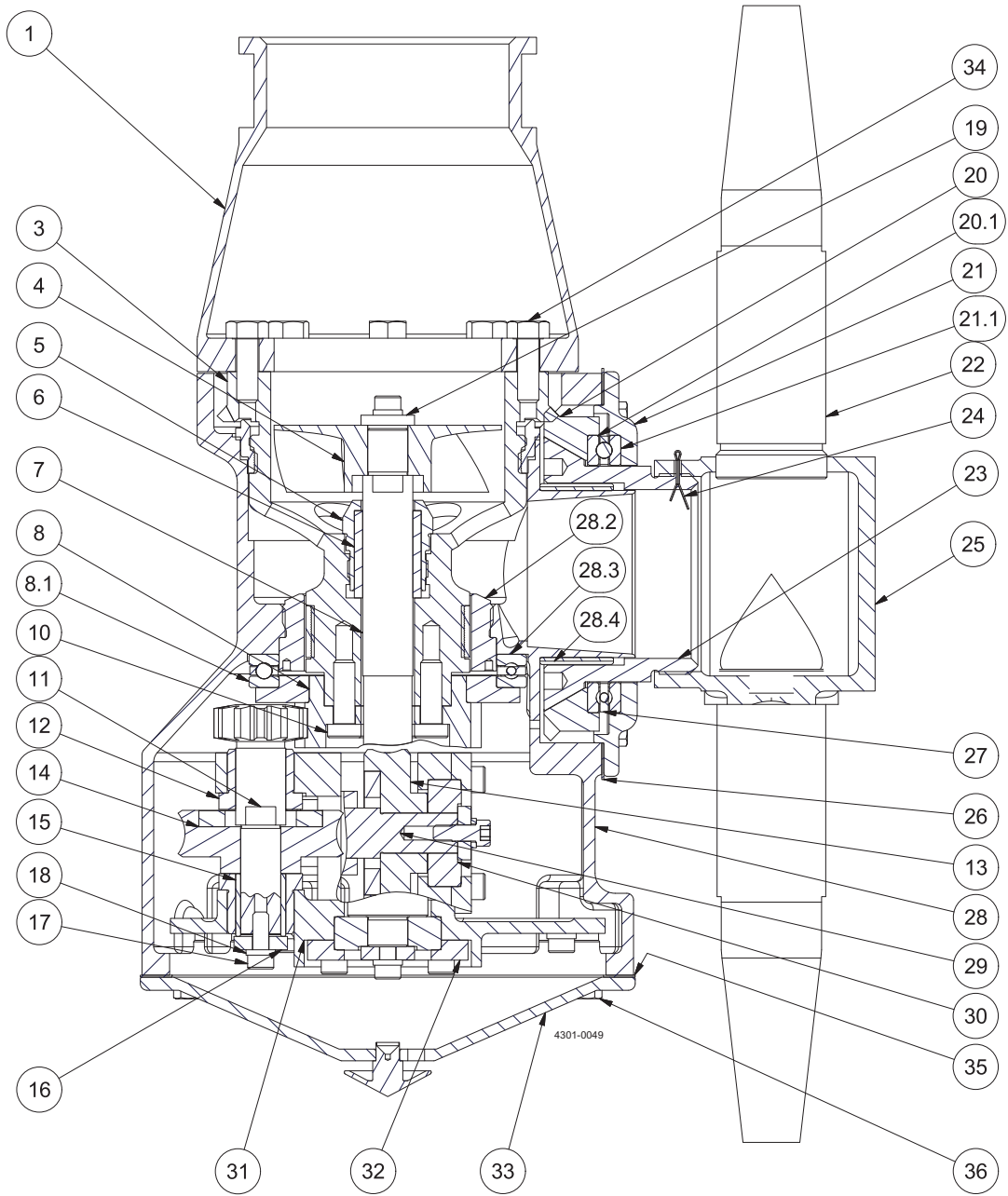
Configuration according to delivery note/order.

*Note: Position 28 is not sold as single Spare part component. Only sold as part of a machine maintenance/repair order. For further information please contact Alfa Laval Customer Support.

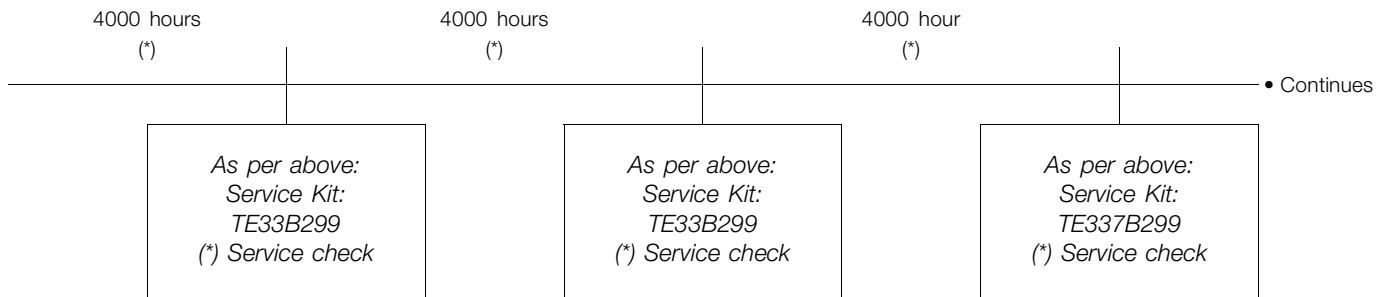
Service kits

Spare part kit standard TE33B299

4.4

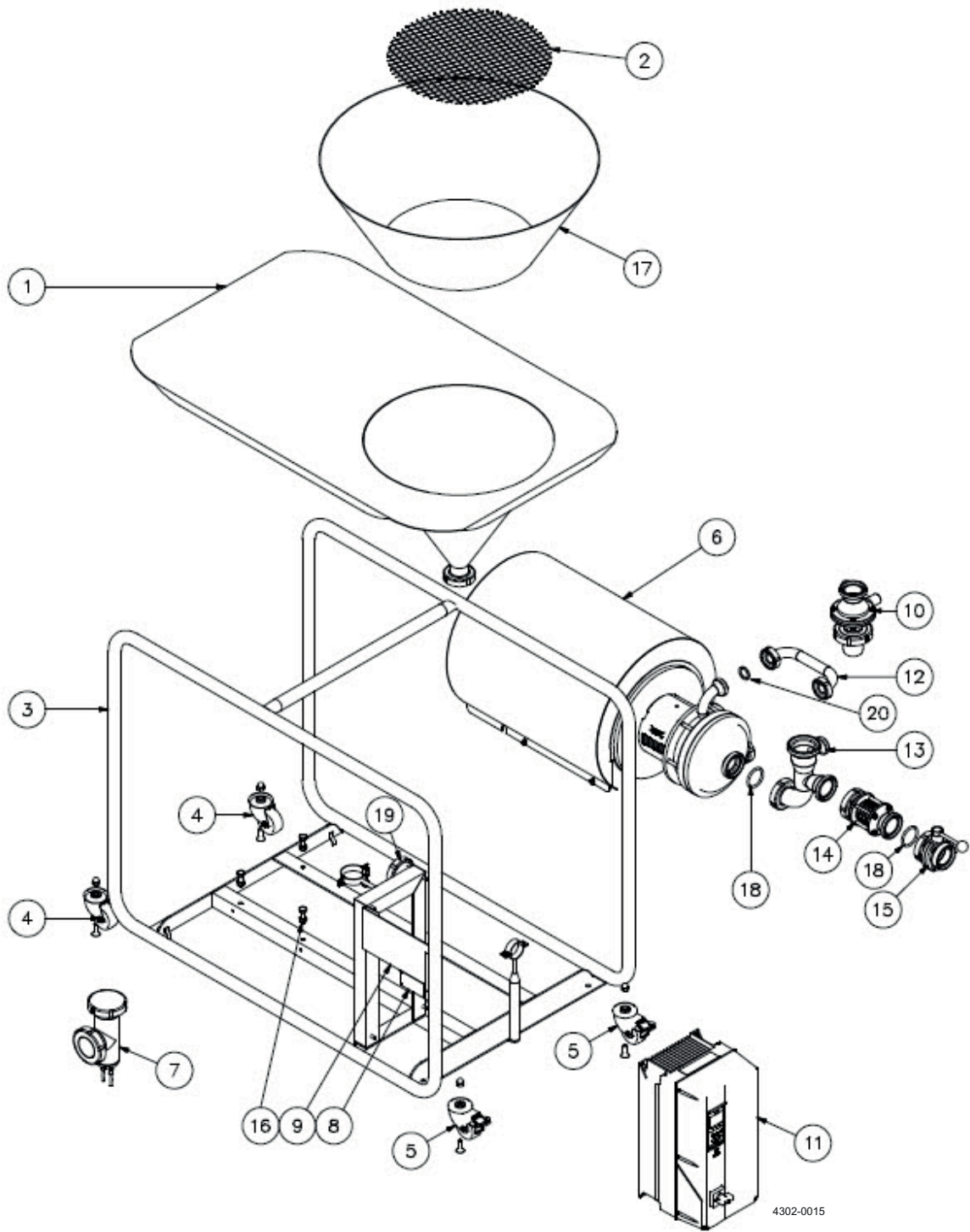


Service intervals



*Note: The service intervals are recommended on the basis of pure liquids. When liquids contain particles and other kind of abrasives, we recommend shorter service intervals depending on the actual running conditions.

Pos	Qty	Denomination	Tool item no.
		Standard Tool Kit	TE81B055
Consisting of:			
	1	Hex Key for 3/16" screw	TE134
	2	Hex Screwdriver unbraco for 5/32"	TE134A
	1	Hex Key for 1/4" screw	TE135
	1	Hex Screwdriver for 1/4" screw	TE135A
	1	Caliper	TE369

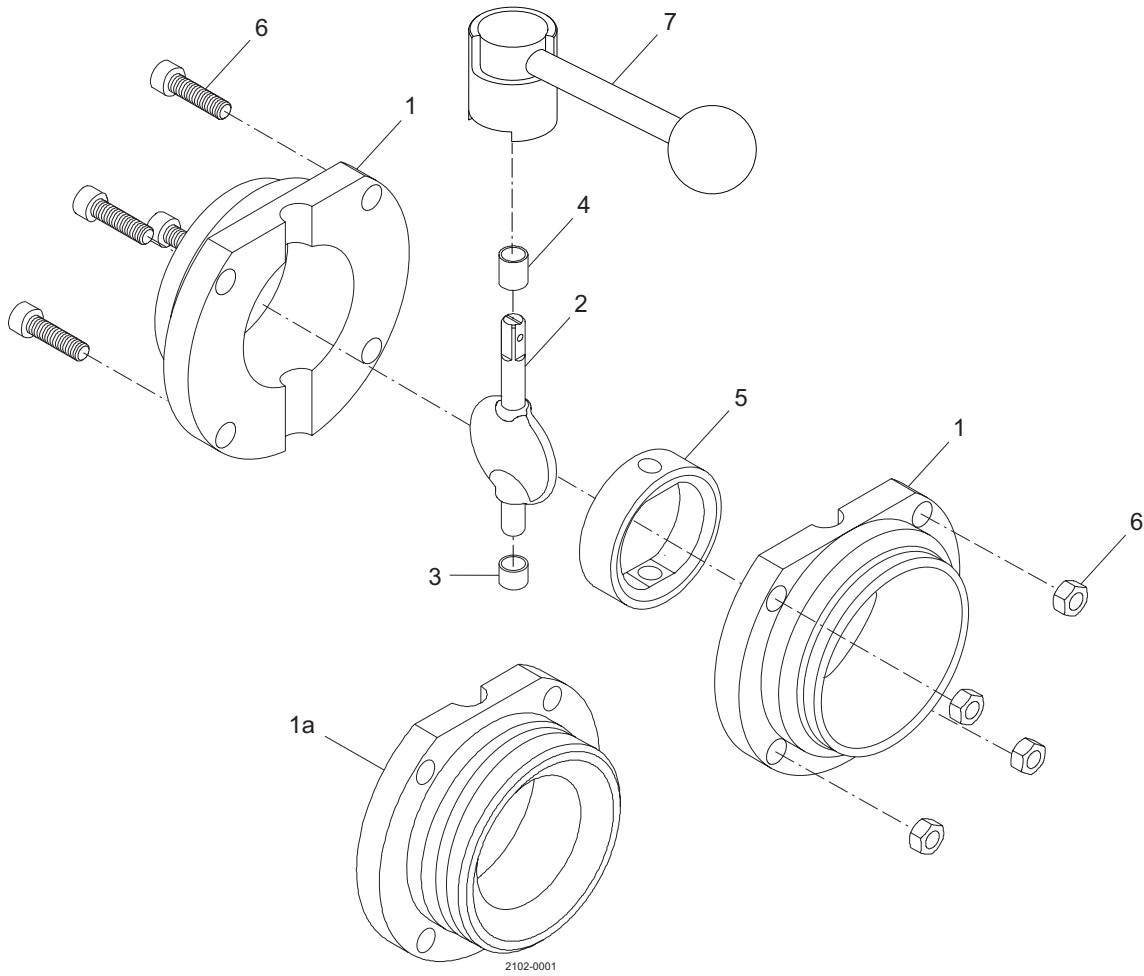


Pos	Qty	Denomination	item no.
1	1	Table plate/Funnel	On request
2	1	Safety mesh	On request
3	1	Base frame, complete	On request
4	2	Fixed wheels	9614452101
5	2	Brake wheels	9614452102
6	1	High shear and pump unit, complete	Note*
7	1	Flush container, complete	Note*
10	1	C-ball valve, complete	Note*
11	<input type="checkbox"/>	Frequency converter, ROW	9614232401
	<input type="checkbox"/>	Frequency converter, CANADA/US	9614232402
12	1	By-pass tube	On request
13	1	Inlet tube, complete	Note*
14	1	Sight glass, complete	Note*
15	1	Butterfly valve, complete	Note*
16	4	Screw and nut	
18	<input type="checkbox"/>	Seal ring, EPDM, DN50, DIN 11850	9611900259
	<input type="checkbox"/>	Seal ring, FPM, DN50, DIN 11850	9611995991
19	1	Blind cap, (for CIP), 14301	On request
20	1	Seal ring, EPDM, DN25, DIN 11850	9611900256
	1	Seal ring, FPM, DN25, DIN 11850	9611995990

Note*: See separate part lists in the next sections of this manual

Configuration according to delivery note/order.

4.4



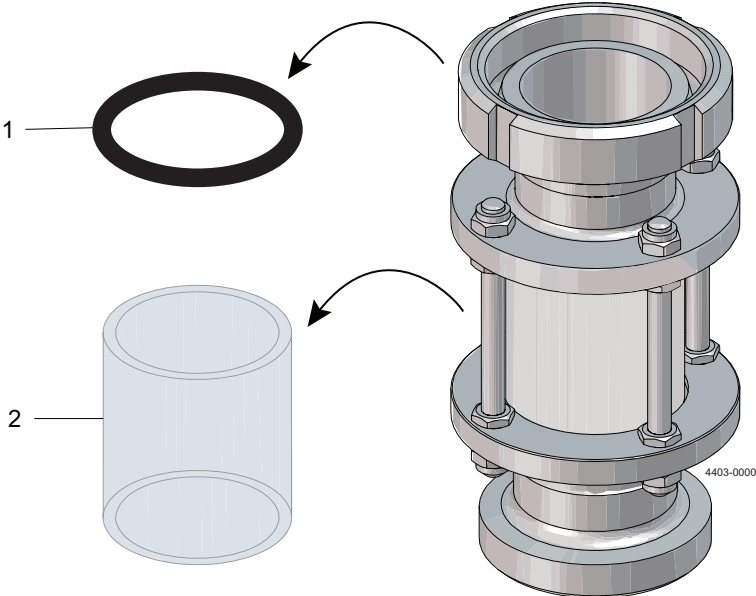
Pos	Qty	Denomination	Item no.	Material
1	<input type="checkbox"/>	2 Valve body half, welding		
1a	<input type="checkbox"/>	2 Valve body half, male part		
2		1 Disc	9612073904	AISI 316L
3	◆●	1 Bush	9611411890	
4	◆●	1 Bush	9611411890	
5	◆	1 Seal ring	9612070301	EPDM
	●	1 Seal ring	9612072101	FPM
6		1 Set screw, M8 + Nut M8	9611417350	
7		1 Handle	9612045001	

Service Kits for product wetted parts

Service kit, EPDM	9611923078
Service kit, FPM	9611923094

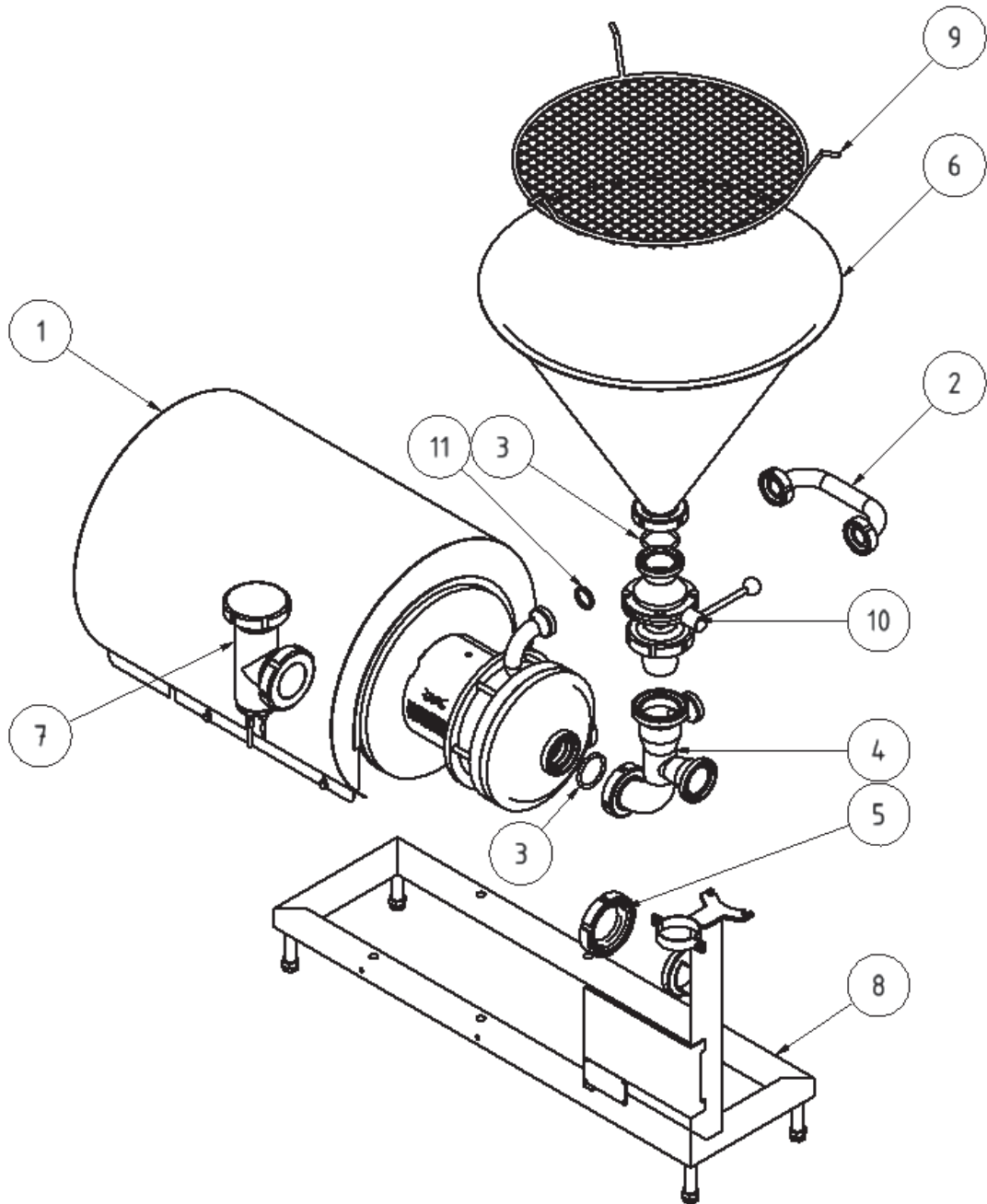
Parts marked with ◆ are included in the Service Kit, EPDM: 9611923078
 Parts marked with ● are included in the Service Kit, FPM: 9611923094

Configuration according to delivery note/order.



Pos	Qty	Denomination	Item no.
1	<input type="checkbox"/>	1 Seal ring, EPDM	9611995993
	<input type="checkbox"/>	1 Seal ring, FPM	9611995994
2		1 Glas tube, DN50	9611991438

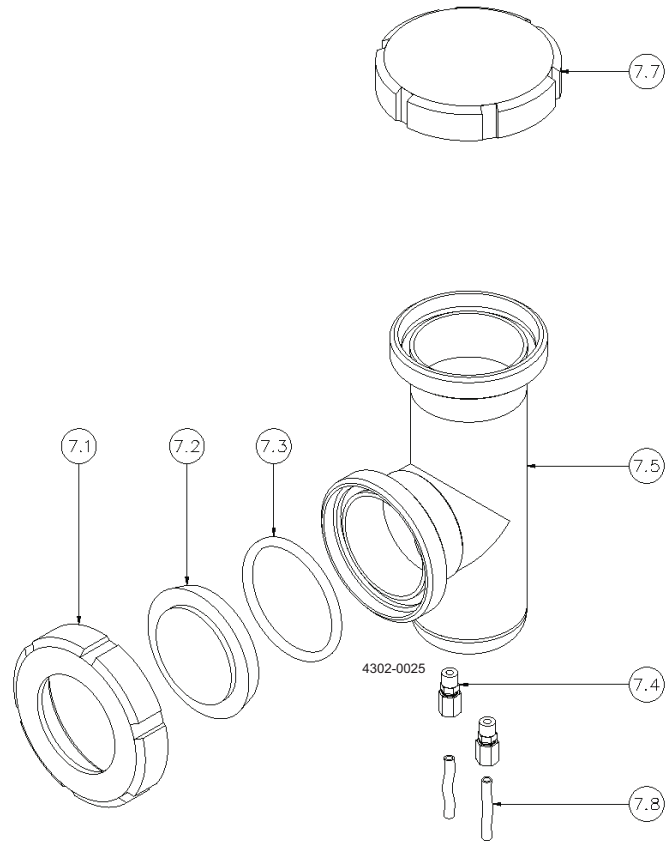
Configuration according to delivery note/order.



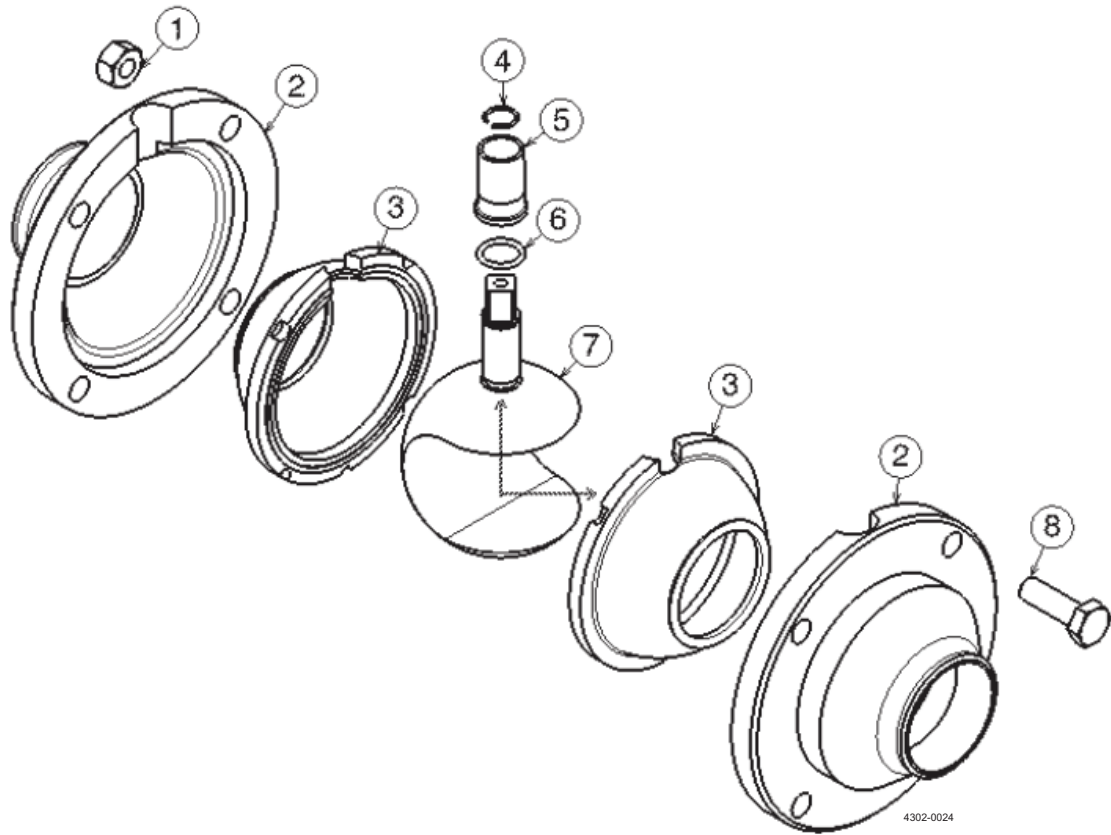
Pos	Qty	Denomination	Item no.	Material
1	1	High shear and pump unit	Note*	
2	1	By-pass tube	On request	
3	<input type="checkbox"/>	2 Seal ring, DN50, DIN 11850	9611900259	EPDM
	<input type="checkbox"/>	2 Seal ring, DN50, DIN 11850	9611995991	FPM
4	1	Inlet tube, complete	Note*	
5	1	Blind cap (for CIP)	On request	
6	1	Funnel	On request	
7	1	Flush container, complete	Note*	
8	1	Base frame, complete	On request	
9	1	Safety Mesh	On request	
10	1	C-ball valve, complete	Note*	
11	<input type="checkbox"/>	1 Seal ring, DN25, DIN 11850	9611900256	EPDM
	<input type="checkbox"/>	1 Seal ring, DN25, DIN 11850	9611995990	FPM

Note*: See separate part lists in the next sections of this manual

Configuration according to delivery note/order.



Pos	Qty	Denomination	Item no.	Material
7.1	1	Nut, union	On request	
7.2	1	Sight glass	9611993744	
7.3	1	Seal	9612906208	EPDM
7.4	2	Tube connection	On request	
7.5	1	Flush container house	On request	
7.7	1	Blind cap	9611291481	14301
7.8	2	Tube	On request	

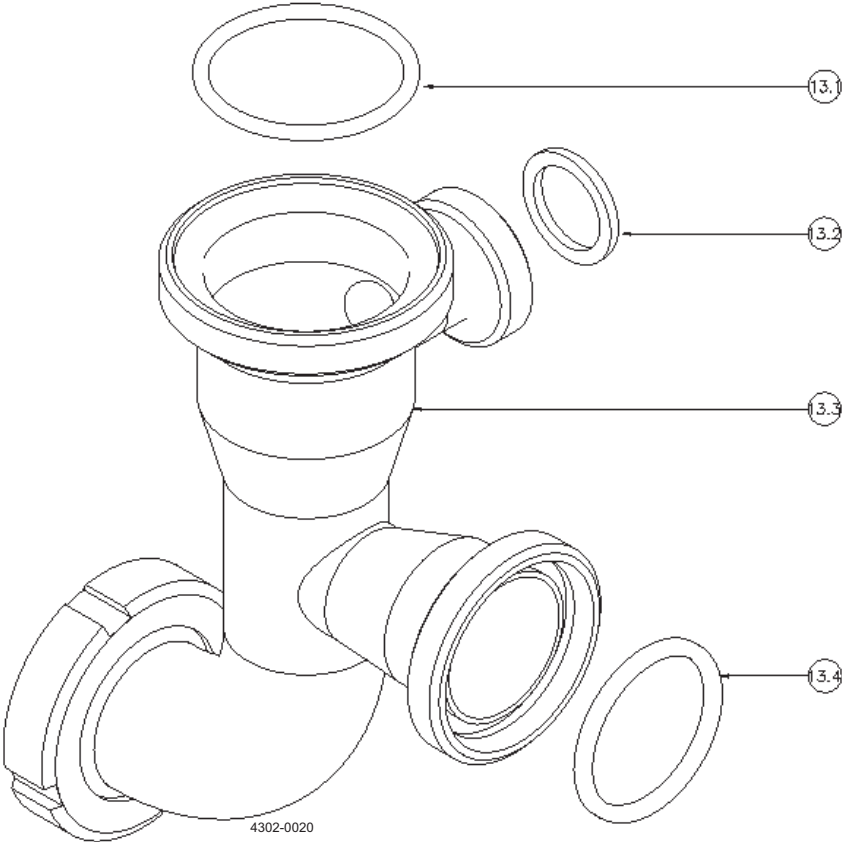


Pos	Qty	Denomination	Item no.
1	1	Nut, M8	
2	2	Housing	On request
3	♦ 2	Seal, FPM	
4	♦ 1	Snap ring	
5	♦ 1	Guide sleeve	
6	♦ 1	O-ring	
7	1	C-ball with shaft	9614451801
8	1	Bolt	
	1	Handle for C-Ball Valve	9614463701

Service kit **9614451701**

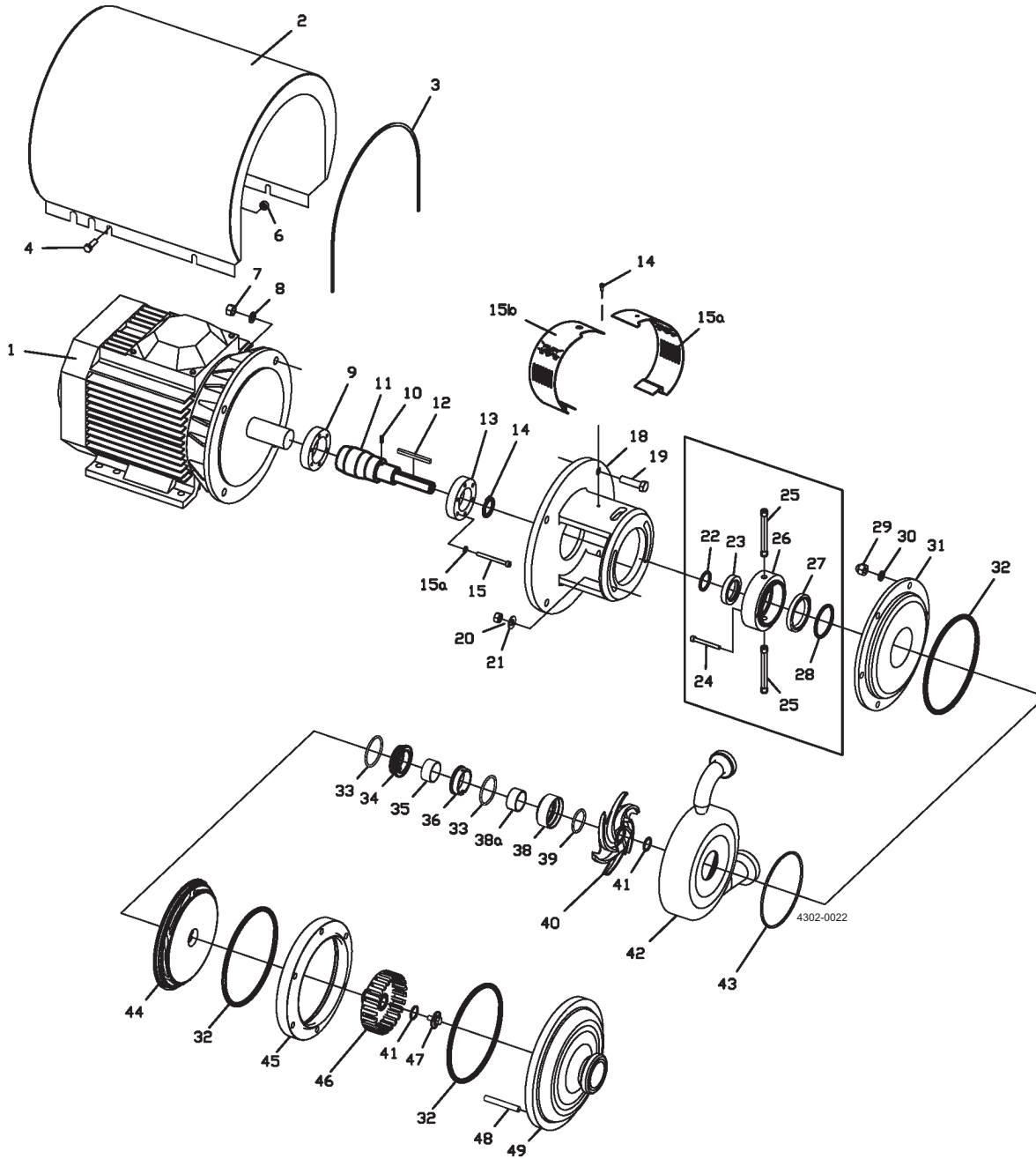
Parts marked with ♦ are included in the Service kit for C Ball valve: 9614451701

4.4



Pos	Qty	Denomination	Item no.	Material
13.1 <input type="checkbox"/>	1	O-ring seal	9612906208	EPDM
<input type="checkbox"/>	1	O-ring seal	9612906218	FPM
13.2 <input type="checkbox"/>	1	Seal	9611900256	EPDM
<input type="checkbox"/>	1	Seal	9611995990	FPM
13.3	1	Inlet tube	On request	
13.4 <input type="checkbox"/>	1	Seal	9611900259	EPDM
<input type="checkbox"/>	1	Seal	9611995991	FPM

Configuration according to delivery note/order.



NOTE

The drawing above is showing the ROW version - shroud pos. 2 is not included in the US/CANADA version since the motor is a Wash Down version.

NOTE

Position 14 is not included in both US/CANADA and ROW version of the Hybrid Powder Mixer.

Pos	Qty	Denomination	Item no.
32	1	O-ring, FPM	9611992746
	1	O-ring, EPDM	9611992744
42	1	Pump house	On request
45	1	Extension ring	On request
46	1	Rotor	9614458501
49	1	Front plate / Stator	9614458601

Please see parts list for LKH-112 in separate pump manual.

The parts above are either additional, revised or replaced by components of the LKH-112 pump except for the service kits.

Service Kits

- Service kit FPM LKH-112 SIC/SIC flushed shaft seal 9611922660¹⁾
- Service kit EPDM LKH-112 SIC/SIC flushed shaft seal 9611922658²⁾

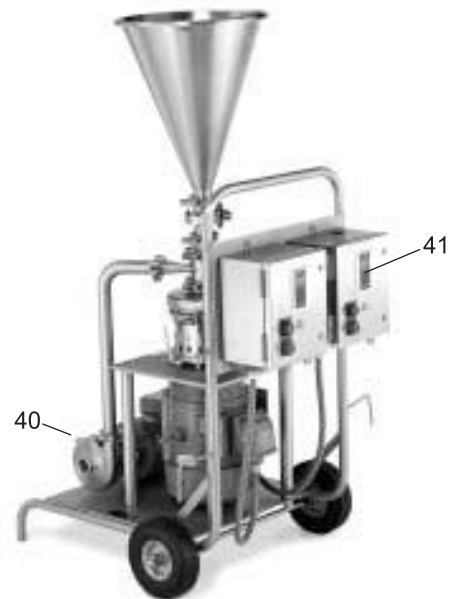
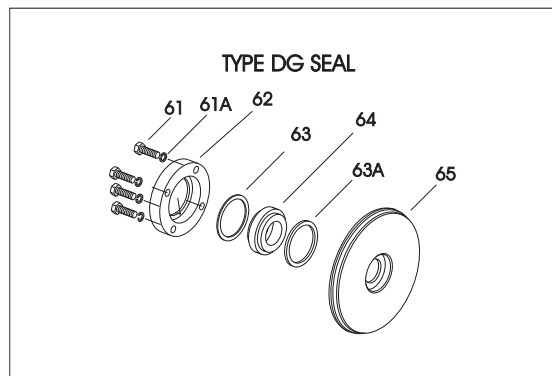
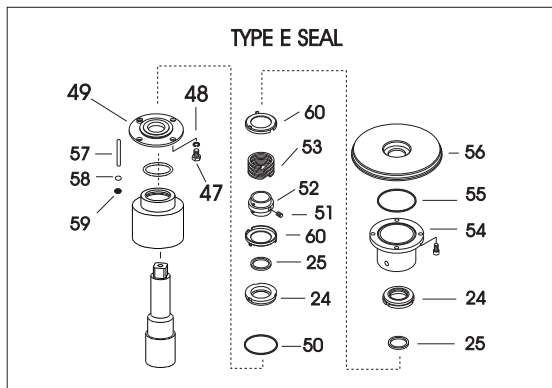
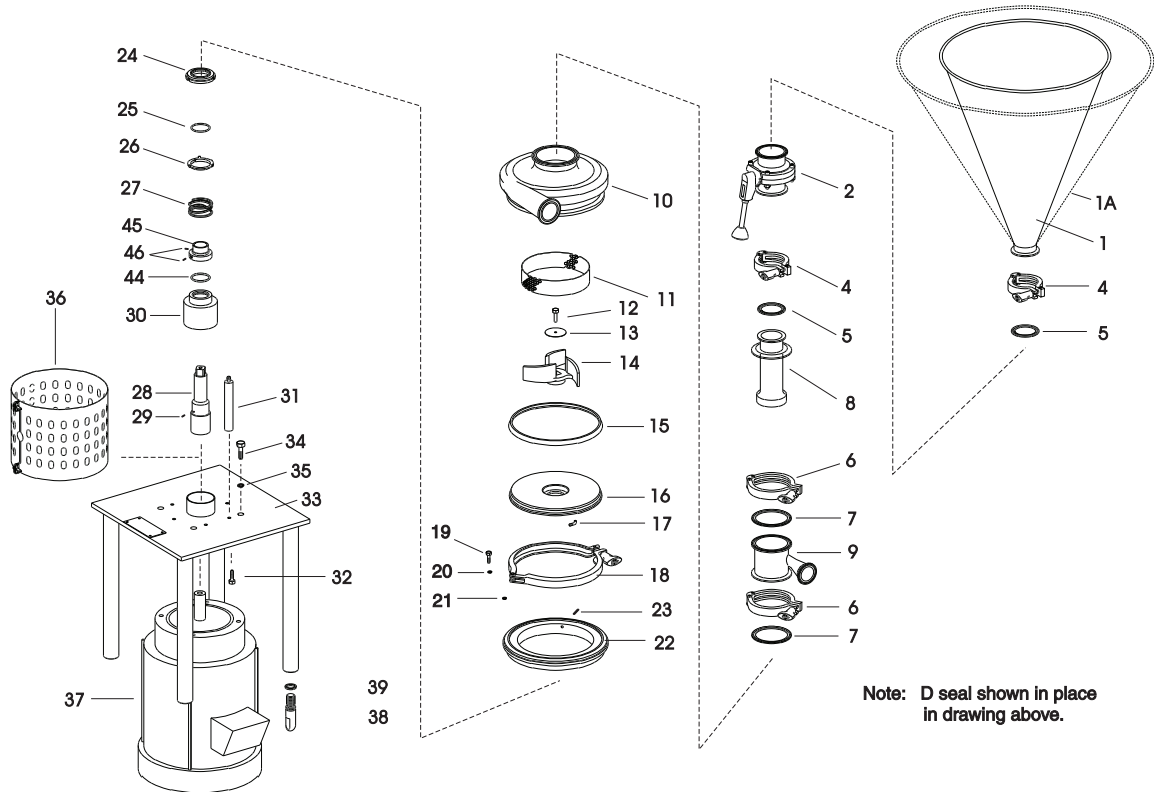
Parts marked with ✦ are included in the Service Kit, FPM: 9611922660

¹⁾ Please order 1 pcs item no. 9611992746 (pos. 32) extra for this kit

Parts marked with ● are included in the Service Kit, EPDM: 9611922658

²⁾ Please order 1 pcs item no. 9611992744 (pos. 32) extra for this kit

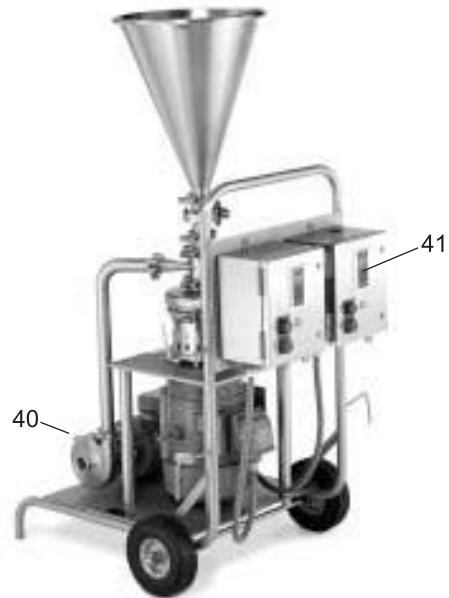
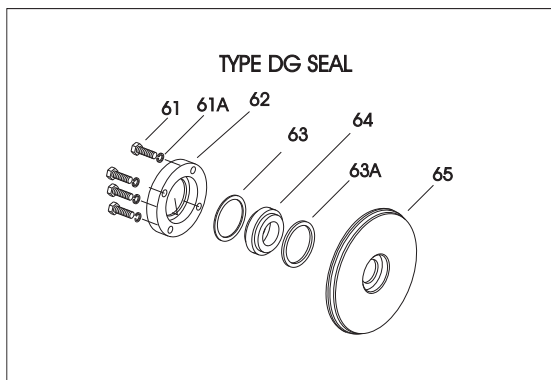
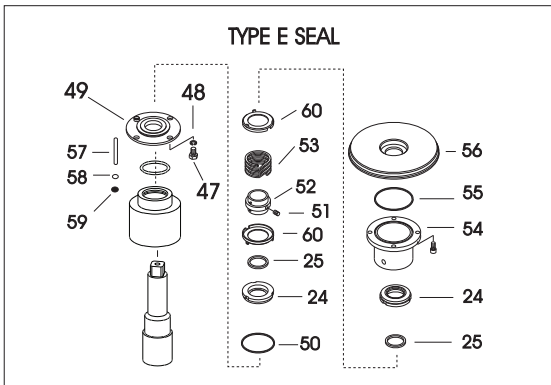
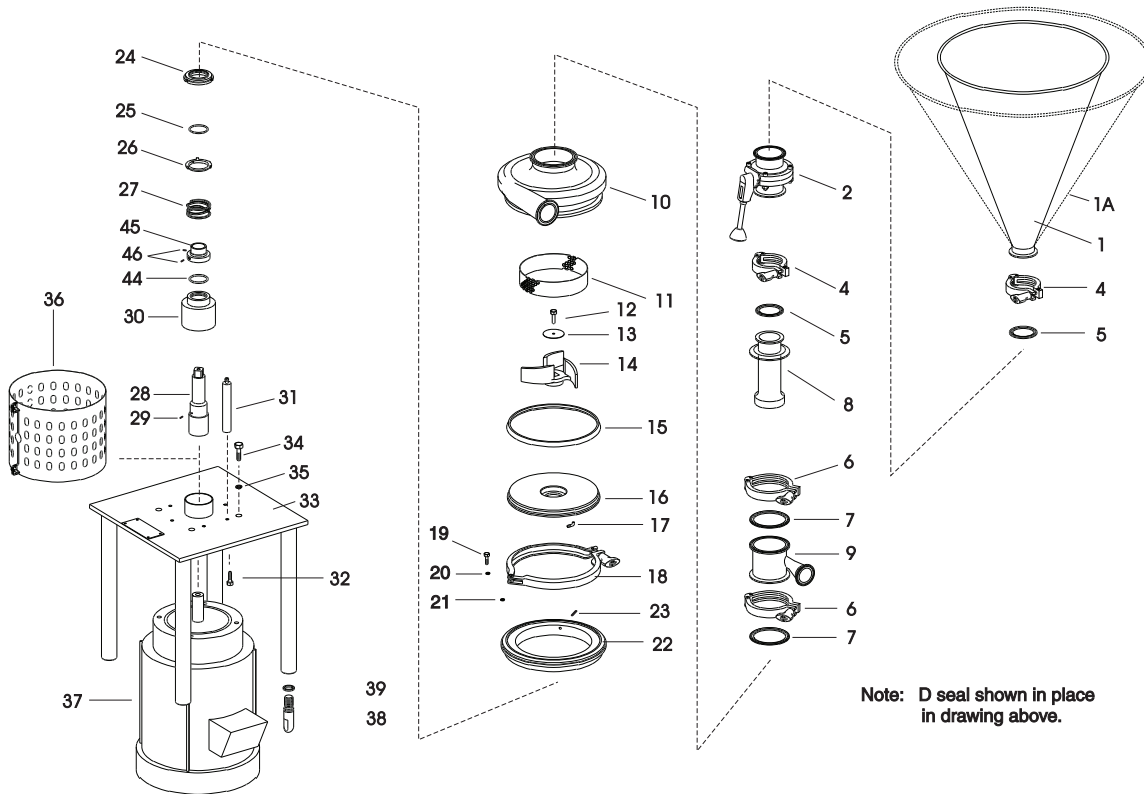
Configuration according to delivery note/order.



Pos	Qty	Denomination	
1	1	40 degree hopper	540025
1A	1	60 degree hopper	540026
2	1	Manual butterfly valve EPDM	330307
	1	Manual butterfly valve SFY	330297
4	2	Clamp	212196
5	2	Gasket BUNA	298453
	2	Gasket EPDM	290043
	2	Gasket SFY	290030
6	2	Clamp	212198
7	2	Gasket BUNA	298455
	2	Gasket EPDM	290036
	2	Gasket SFY	290049
8	1	Diffuser & suction tube	540015
9	1	Inlet adapter	540323
10	1	Casing	540126
11	1	Screen	540140
12	1	Capscrew	189753
13	1	Washer	540218
14	1	Impeller	542336
15	□♦	Gasket BUNA	483195
	□♦	Gasket EPDM	480096
	□♦	Gasket SFY	480201
16	1	Backplate	483133
17	2	Backplate pin	483263
18	1	Clamp	482258
22	1	Adapter	480348
23	1	Adapter pin	483396
24	□♦	Carbon seal	480510
25	□♦	Seal O-ring BUNA	300552
	□♦	Seal O-ring EPDM	300027
	□♦	Seal O-ring SFY	300064
26	□	Cup	483601
27	□	Spring	483602
28	1	Stubshaft	540159
29	2	Set-screw shaft	180330
30	1	Deflector	540160
31	6	Spacer	540162
32	6	Capscrew	189597
33	1	Base	Not available
34	4	Capscrew	189888
35	4	Lockwasher	189971
36	1	Seal guard	482732
37	1	Motor 184tc	9634084602
38	4	Adjustable leg	580022
39	4	O-ring	296257
40	1	Supply pump	See C Series
			Spares (C114)
41	2	Motor starters	760827
44	□♦	Seal O-ring BUNA	480479
	□♦	Seal O-ring EPDM	480226
	□♦	Seal O-ring SFY	480656
45	1	Drive collar	481628
46	2	Set screw drive collar D-seal	189840
47	4	Screw-follower	189800
48	4	Lockwasher-follower	189962
49	1	Follower	540163
50	♦	Follower O-ring BUNA	751064
	♦	Follower O-ring EPDM	751538
	♦	Follower O-ring SFY	751305
51	2	Set screw drive collar E-seal	189819
52	1	Drive collar E-seal	481271
53	♦	Seal spring E-seal	481334
54	1	Stuffing box E-seal	482276
55	♦	Stuffing box O-ring BUNA	755489
	♦	Stuffing box O-ring EPDM	750081
	♦	Stuffing box O-ring SFY	750740
56	1	Backplate e seal	482272
57	4	Stud E-seal	540164
58	4	Lockwasher E-seal	189985
59	4	Nut E-seal	189919
60	♦	Cup E-seal	481333
61	4	Screw gland ring-DG seal	189849
61A	4	Lockwasher DG seal	189962
62	1	Gland ring DG seal	480176
63	○	PTFE gasket-outboard DG seal	481521
63A	○	PTFE gasket-inboard DG seal	482808
64	○	Seal seat DG (cer)	480111
	○	Seal seat DG (sc)	481519
	○	Seal seat DG (tc)	480477
65	1	Backplate DG seal	480174

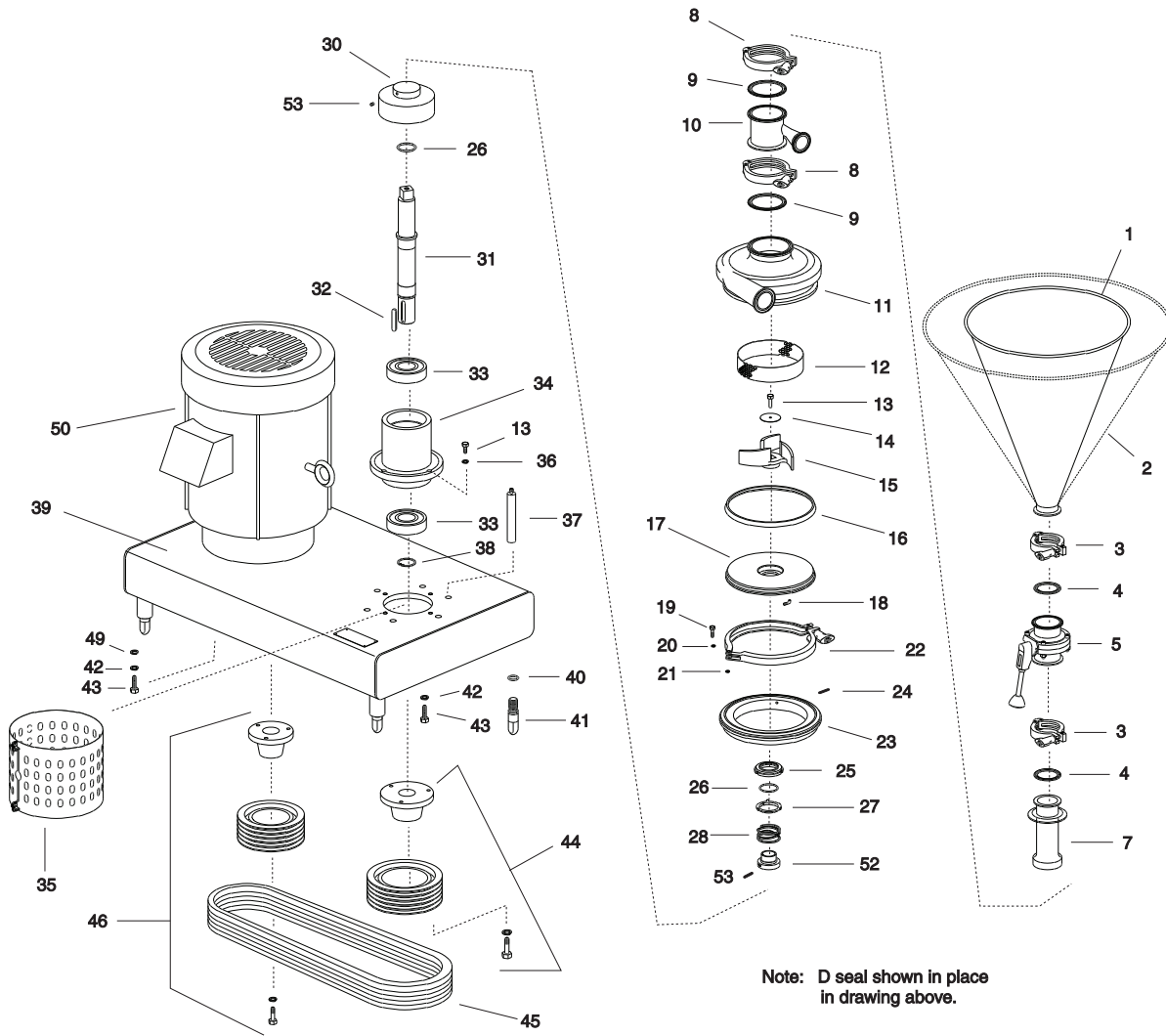
Parts marked with □♦○ are included in the service kits.

4.4

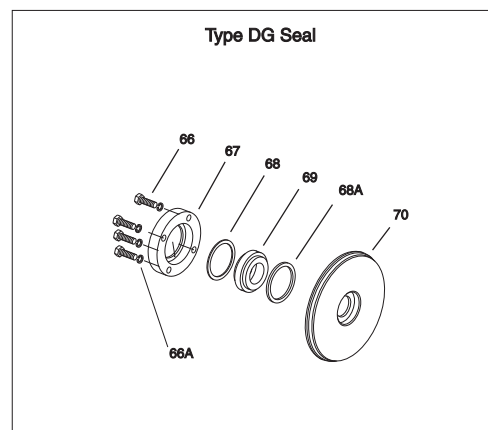
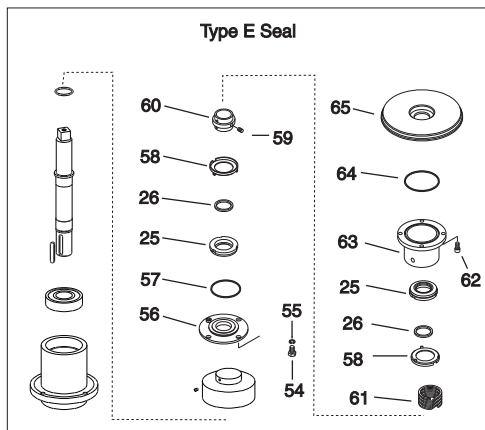


□	D seal service kits - BUNA	9613990402
□	D seal service kits - EPDM	9613990403
□	D seal service kits - SFY	9613990404
◆	E seal service kits - BUNA	9613990405
◆	E seal service kits - EPDM	9613990406
◆	E seal service kits - SFY	9613990407
○	DG seal service kits* - SC	9613990408
○	DG seal service kits* - CER	9613990409
○	DG seal service kits* - TC	9613990409

*does not include rotating seal parts or casing gasket

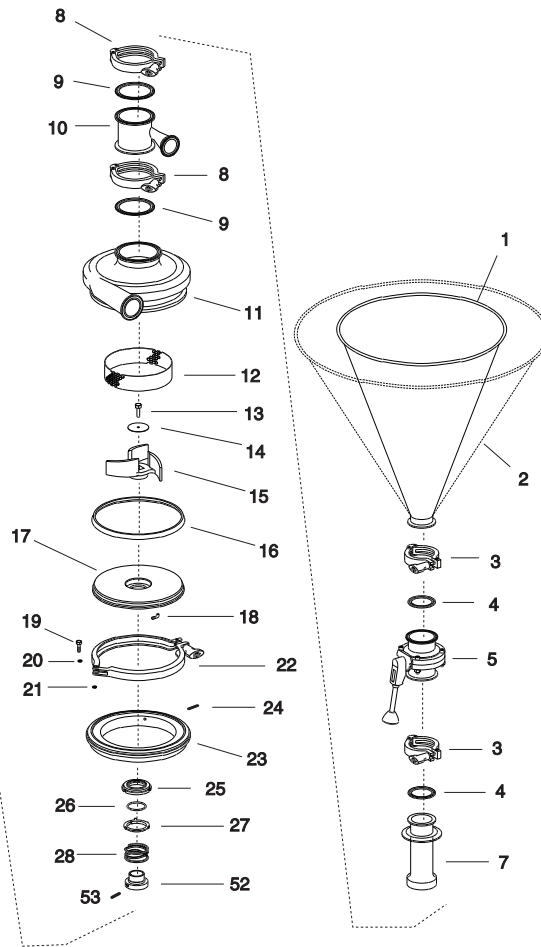
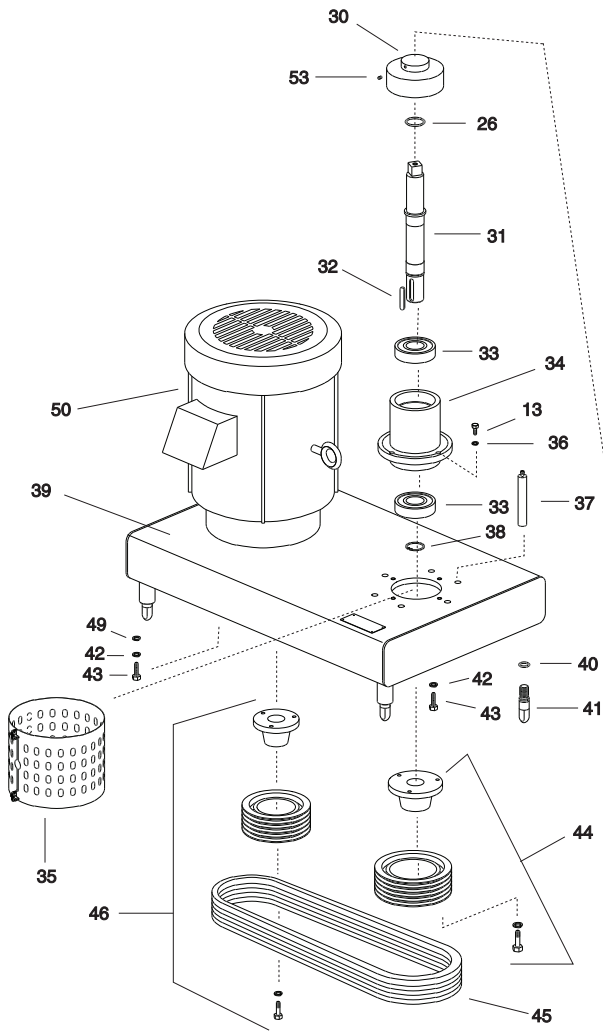


Note: D seal shown in place in drawing above.

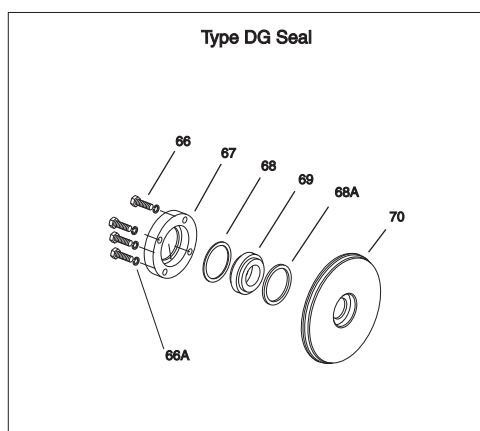
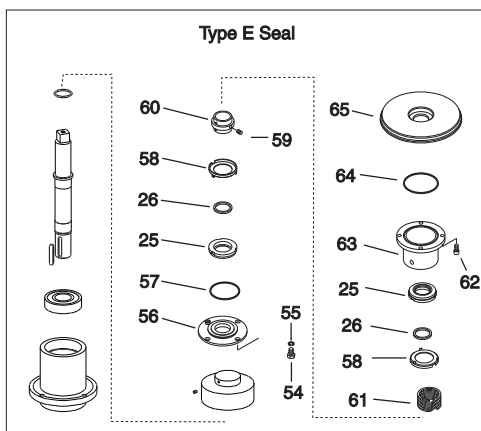


Pos	Qty	Denomination	
1	1	40 degree hopper	540049
2	1	60 degree hopper	540050
3	2	Clamp	212198
4	2	Gasket BUNA	298455
	2	Gasket EPDM	290036
	2	Gasket SFY	290049
5	1	Manual butterfly valve EPDM	330309
	1	Manual butterfly valve SFY	330299
7	1	Diffuser & suction tube	540063
8	2	Clamp	212199
9	2	Gasket BUNA	298456
	2	Gasket EPDM	290018
	2	Gasket SFY	290053
10	1	Inlet adapter	540071
11	1	Casing	540127
12	1	Screen	540143
13	1	Capscrew	189846
14	1	Washer	540067
15	1	Impeller	540101
16	□♦	Gasket BUNA	484083
	□♦	Gasket EPDM	480232
	□♦	Gasket SFY	480575
17	1	Backplate D-seal	480882
18	2	Backplate pin	483263
22	1	Clamp	480285
23	1	Adapter ring	480877
24	2	Adapter pin	483396
25	□♦	Carbon seal	480525
	□♦	Seal O-ring D-seal BUNA	480479
	□♦	Seal O-ring D-seal EPDM	480226
	□♦	Seal O-ring D-seal SFY	480656
27	□	Cup D-seal	484362
28	□	Spring D-seal	484363
30	1	Deflector	9634051465
31	1	Shaft	540156
32	1	Key-pulley	540048
33	2	Bearing-sealed	540034
34	1	Bearing housing	540119
35	1	Seal guard assembly	540263
36	4	Lockwasher	189968
37	6	Spacer	540051
38	1	Retainer ring	540059
39	1	Base	Not available
40	4	O-ring, leg	296257
41	4	Leg - adjustable	580022
42	10	Lockwasher-spacer	189971
43	10	Capscrew-spacer	189888
44	1	60 cycle blender sheave	540248
	1	50 cycle blender sheave	540250
45	3	Drive belt	540224
46	1	60 cycle motor sheave	540249
	1	50 cycle motor sheave	540251
49	4	Washer	189952
50	1	Motor 20 hp - 1800 256tc	Contact Alfa
			Laval
52	1	Drive collar D-seal	480864
53	2	Set screw D-seal drive collar	189840
54	4	Screw-follower	189773
55	4	Lockwasher-follower	189962
56	1	Follower	481211
57	♦	Follower O-ring BUNA	751297
	♦	Follower O-ring EPDM	751634
	♦	Follower O-ring SFY	751307
58	♦	Cup seal E-seal	480525
59	2	Set screw E-seal drive collar	189819
60	1	Drive collar E-seal	481212
61	♦	Spring E-seal	481210
62	4	Screw-stuffing box	180352
63	1	Stuffing box	540232
64	♦	Stuffing box O-ring BUNA	755528
	♦	Stuffing box O-ring EPDM	750575
	♦	Stuffing box O-ring SFY	751306
65	1	Backplate E-seal	482277
66	4	Screw - gland ring	189849
67	1	Gland ring	480050
68	○	PTFE gasket-outboard	481522
68A	○	PTFE gasket-inboard	481522
69	○	Seal seat DG seal (cer)	480238
	○	Seal seat DG seal (tc)	480466
	○	Seal seat DG seal (sc)	481470
70	1	Backplate	480043

Parts marked with □♦○ are included in the service kits.

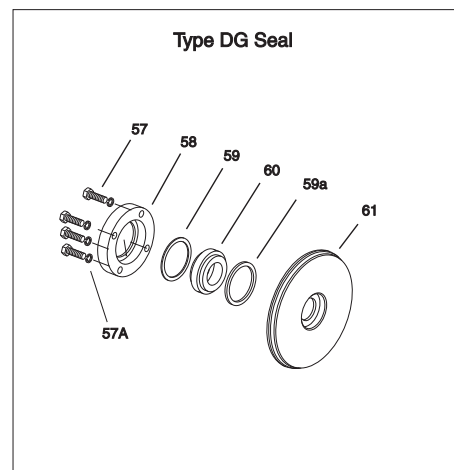
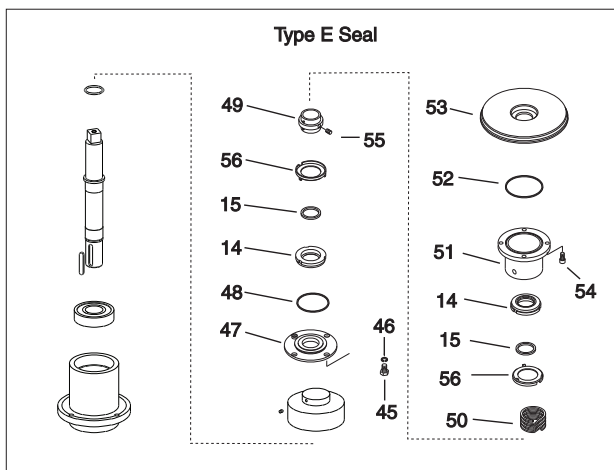
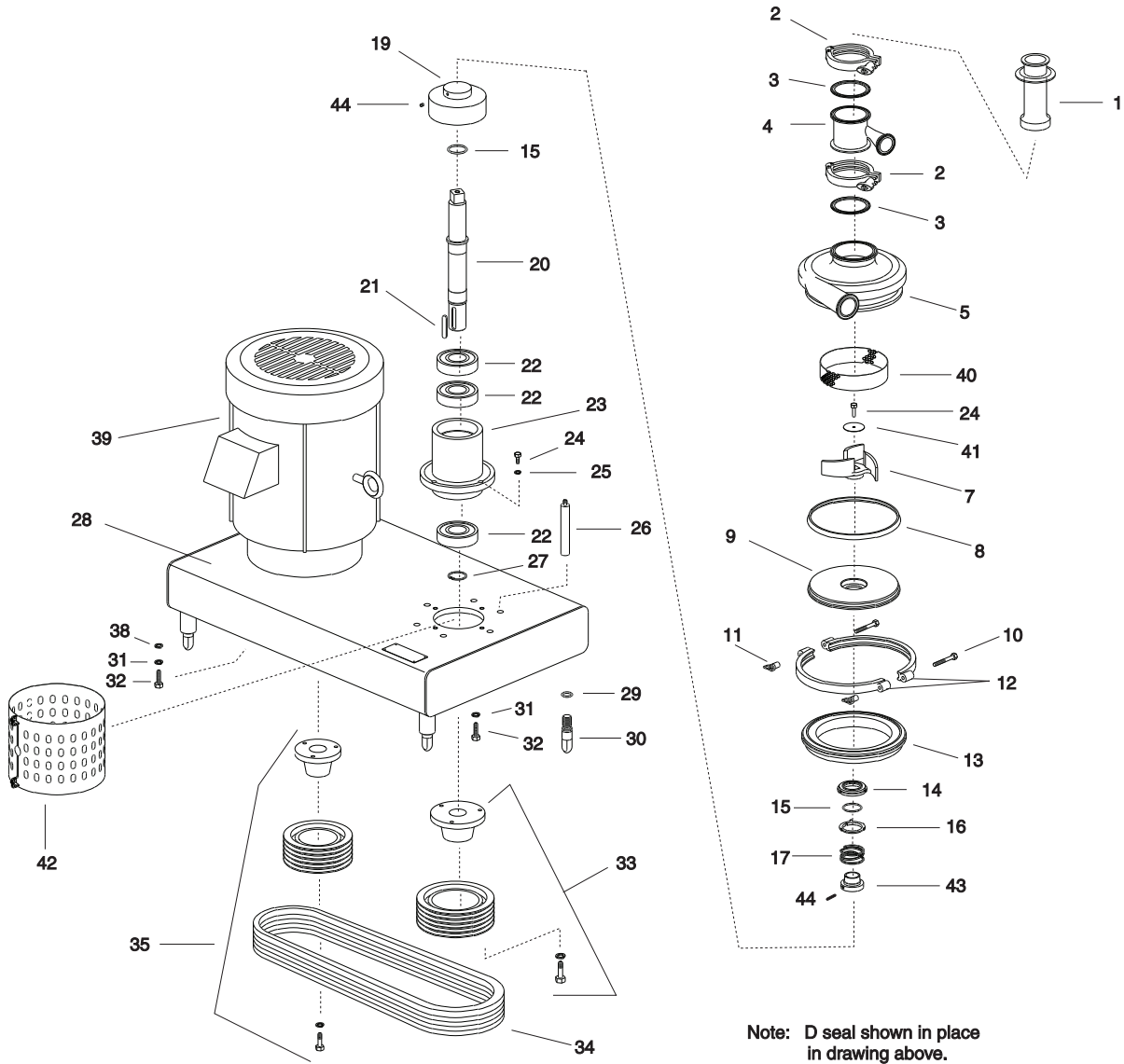


Note: D seal shown in place in drawing above.



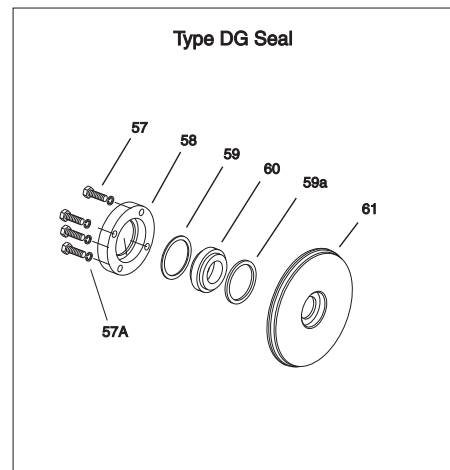
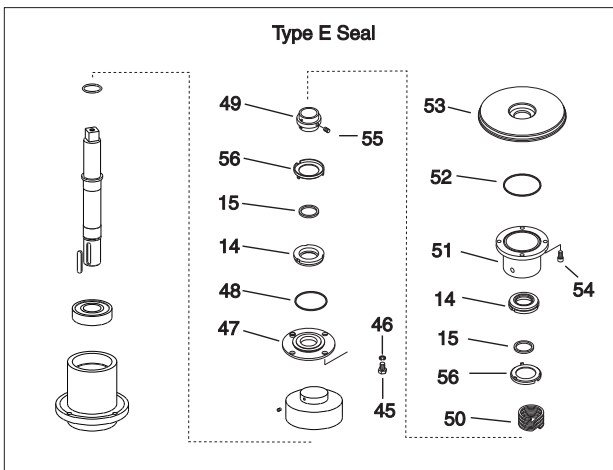
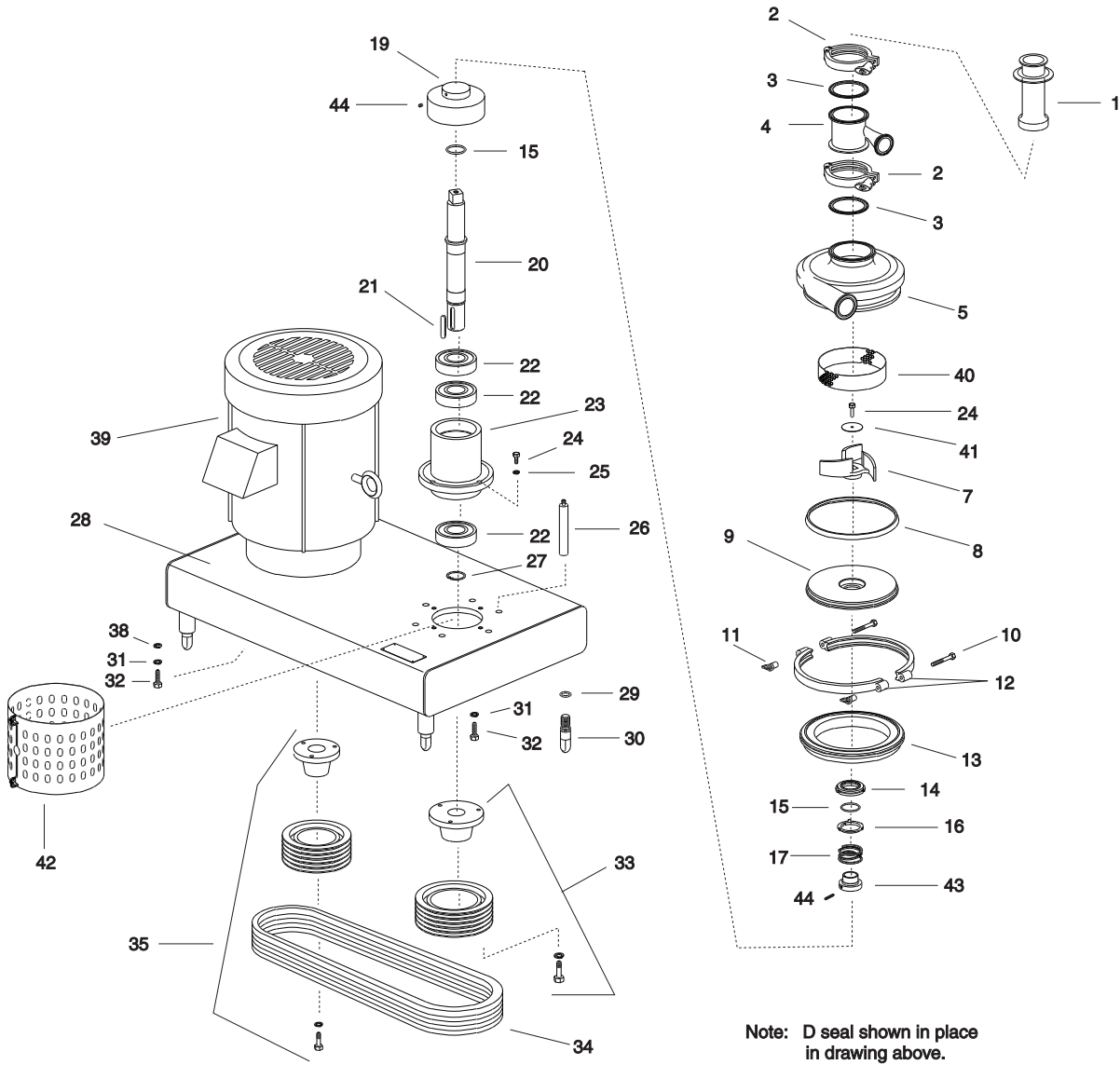
□	D seal service kits - BUNA	9613990411
□	D seal service kits - EPDM	9613990412
□	D seal service kits - SFY	9613990413
◆	E seal service kits - BUNA	9613990414
◆	E seal service kits - EPDM	9613990415
◆	E seal service kits - SFY	9613990416
○	DG seal service kits* - SC	9613990417
○	DG seal service kits* - CER	9613990418
○	DG seal service kits* - TC	9613990419

*does not include rotating seal parts or casing gasket



Pos	Qty	Denomination	
1	1	Diffuser & suction tube	540129
2	2	Clamp	212211
3	2	Gasket	298360
4	1	Inlet adapter	540130
5	1	Casing	540135
7	1	Impeller	540261
8	2	Gasket BUNA	488389
	2	Gasket EPDM	480729
	2	Gasket SFY	480861
9	1	Backplate D-seal	488103
12	1	Clamp	481624
13	1	Adapter ring	540115
14	1	Carbon seal	480525
15	1	Seal O-ring BUNA	480479
	1	Seal O-ring EPDM	480226
	1	Seal O-ring SFY	480656
16	1	Cup D-seal	484362
17	2	Spring D-seal	484363
19	1	Deflector	9634051465
20	1	Drive shaft	540262
21	1	Key-pulley	540048
23	1	Bearing housing	540119
24	5	Capscrew-housing	189846
25	4	Lockwasher-housing	189968
26	6	Spacer	540142
27	1	Retaining ring	540059
28	1	Base	NA
29	4	O-ring, leg	296257
30	4	Adjustable leg	580022
31	10	Lockwasher-spacer	189971
32	10	Capscrew-spacer	189888
33	1	60 cycle blender sheave	540280
	1	50 cycle blender sheave	540324
34	4	Drive belt	540221
35	1	60 cycle motor sheave	540281
	1	50 cycle motor sheave	540281
36	2	Capscrew	189842
37	2	Lockwasher	189942
38	4	Washer	189952
39	1	Motor 20 hp - 1800 256tc	Contact Alfa
			Laval
40	1	Screen	540144
41	1	Impeller washer	540216
42	1	Seal guard	540263
43	1	Drive collar D-seal	480864
44	1	Set screw D-seal drive collar	189840
45	4	Screw E-seal follower	189773
46	4	Lockwasher E-seal follower	189962
47	4	Follower	481211
48	1	Follower O-ring BUNA	751297
	1	Follower O-ring EPDM	751634
	1	Follower O-ring SFY	751307
49	1	Drive collar E-seal	481212
50	1	Spring E-seal	481210
51	1	Stuffing box E-seal	540232
52	1	Stuffing box O-ring BUNA	755528
	1	Stuffing box O-ring EPDM	750575
	1	Stuffing box O-ring SFY	751306
53	1	Backplate E-seal	482455
54	1	Screw stuffing box	180352
55	4	Set screw E-seal drive collar	189819
56	2	Cup E-seal	481209
57	4	Screw DG gland ring	189849
57A	4	Washer DG gland ring	189961
58	1	Gland ring	480050
59	1	PTFE gasket-outboard	481522
59A	1	PTFE gasket-inboard	482809
60	1	DG seal seat (cer)	480238
	1	DG seal seat (sc)	481470
	1	DG seal seat (tc)	480466
61	1	Backplate DG seal	480078

Parts marked with ◻♦◻ are included in the service kits.

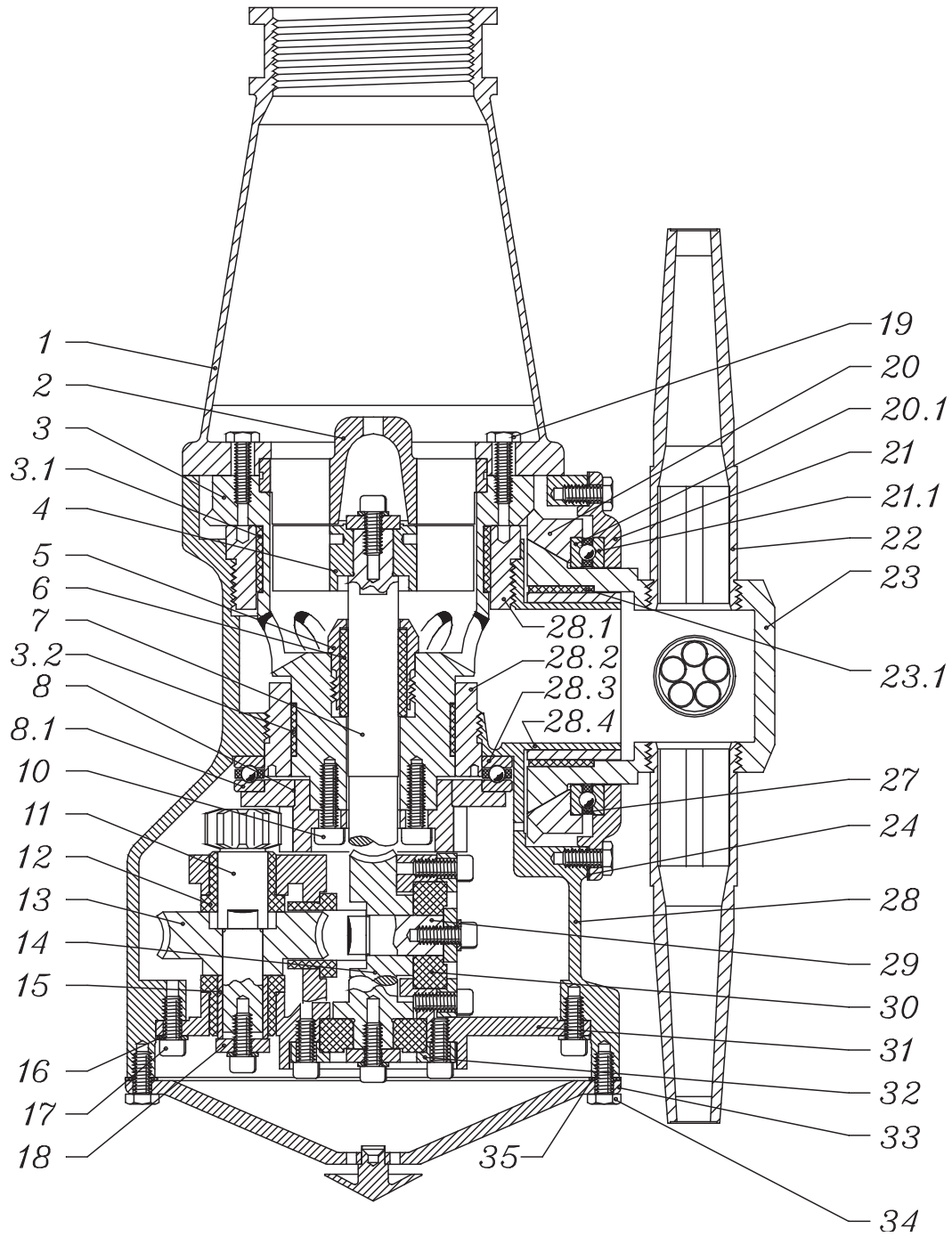


□	D seal service kits - BUNA	9613990420
□	D seal service kits - EPDM	9613990421
□	D seal service kits - SFY	9613990422
◆	E seal service kits - BUNA	9613990423
◆	E seal service kits - EPDM	9613990424
◆	E seal service kits - SFY	9613990425
○	DG seal service kits* - SC	9613990417
○	DG seal service kits* - CER	9613990418
○	DG seal service kits* - TC	9613990419

*does not include rotating seal parts or casing gasket

Not manufactured anymore

4.4



Pos	Qty	Denomination	Item no.	Material	Remark
Rotary Jet Mixer IM 20 with 4 nozzles					
Machine design obsolete December 29, 2010 - serial numbers below 1012-002					
1	<input type="checkbox"/>	1 Top cone, 2" BSP	TE22D500	Stainless steel	Spare part
	<input type="checkbox"/>	1 Top cone, 2" NPT	TE22D501	Stainless steel	Spare part
2	<input type="checkbox"/>	1 Guide, 100%	TE603	Stainless steel	Spare part
	<input type="checkbox"/>	1 Guide ring, 0%	TE1030	Stainless steel	Spare part
3		1 Stem w. liners	TE604Z	Stainless steel	Spare part
				/Polymer	
3.1	1	Top liner	TE9041 ²⁾	Polymer	Spare part
3.2	1	Bottom liner	TEB6042 ²⁾	Polymer	Spare part
4	1	Impeller, 100%	TE32B508	Stainless steel	Spare part
5	1	Gland	TE608Z	Stainless steel	Spare part
6	<input checked="" type="checkbox"/>	1 Main bush	TE22B576	Polymer	Wear part
7	<input checked="" type="checkbox"/>	1 Turbine shaft	TE32B511	Stainless steel	Wear part
8	1	1 Gear wheel w. ball race	TE32B303	Stainless steel	Spare part
8.1	<input checked="" type="checkbox"/>	1 Ball race	TE32B510	Stainless steel	Wear part
10	6	Screw	TE120	Stainless steel	Spare part
11	1	Pinion	TE114	Stainless steel	Spare part
12	<input checked="" type="checkbox"/>	3 Collar bush	TE22A586	Polymer	Wear part
13	<input checked="" type="checkbox"/>	1 Worm wheel w. reinforcement	TE22A365	Polymer/Stain- less steel	Wear part
14	<input checked="" type="checkbox"/>	1 Worm wheel w. reinforcement	TE22A365	Polymer/Stain- less steel	Wear part
15	1	Journal	TE117	Stainless steel	Spare part
16	9	Spring washer	TE156	Stainless steel	Spare part
17	17	Screw	TE118	Stainless steel	Spare part
18	4	Washer	TE619A	Stainless steel	Spare part
19	8	Screw	TE902H	Stainless steel	Spare part
20	1	Bevel gear with ball race	TE32B307	Stainless steel	Spare part
20.1	<input checked="" type="checkbox"/>	1 Ball race	TE32B510	Stainless steel	Wear part
21	1	Hub cover with ball race	TE32B306	Stainless steel	Spare part
21.1	<input checked="" type="checkbox"/>	1 Ball race	TE32B510	Stainless steel	Wear part
22	<input type="checkbox"/>	4 Nozzle, ø8	TE50B008	Stainless steel	Spare part
	<input type="checkbox"/>	4 Nozzle, ø9	TE50B009	Stainless steel	Spare part
	<input type="checkbox"/>	4 Nozzle, ø10	TE50B010	Stainless steel	Spare part
23	1	Hub w. liner	TE6244KZ	Stainless steel	Spare part
23.1	1	Hub liner	TE62411 ²⁾	Polymer	Wear part
24	1	Hub gasket	TE22D553	Polymer/elas- tomer	Spare part
27	<input checked="" type="checkbox"/>	2 Ball retainer with balls	TE32B302	Polymer/ceram- ics	Wear part
28	1	Body with bearings ¹⁾		Stainless steel	N/A
28.1	1	Main collar upper	TE127Z1	Stainless steel	Wear part
28.2	1	Main collar lower	TE127Z2	Stainless steel	Wear part
28.3	<input checked="" type="checkbox"/>	1 Ball race	TE32B510	Stainless steel	Wear part
28.4	1	Hub collar	TE1273	Stainless steel	Wear part
29	<input checked="" type="checkbox"/>	1 Horizontal shaft	TE128Z	Stainless steel	Wear part
30	<input checked="" type="checkbox"/>	2 Slide bearing	TE22A571	Polymer	Wear part
31	1	Gear frame	TE630	Stainless steel	Spare part
32	2	Bearing cover	TE531	Stainless steel	Spare part
33	1	Bottom cover, compl.	TE22D350	Stainless steel	Spare part
34	12	Screw	TE421H	Stainless steel	Spare part
35	1	Bottom gasket	TE22D554	Polymer/elas- tomer	Spare part

Service kits

Service Kit - machines delivered before December 29, 2010 9614462201

Parts marked with μ are included in the Service Kit 9614462201

1) Pos. 28 is not sold as single spare part component. Only sold as part of a machine maintenance/repair order. For further information please contact Alfa Laval Customer Support.

2) If blue liners on Stem or blue liner on Hub are extremely worn, they can be replaced. This part requires that a precise procedure is followed to accomplish installation. It is highly recommended that an Authorized Alfa Laval Service Partner perform the replacement when necessary. Alternatively, it is possible to buy both Stem with liner and Hub with liner mounted.

Configuration according to delivery note/order.

This page is intentionally left blank

4.5 Rotary jet heads

Alfa Laval's comprehensive range of cleaning devices guarantees impact, making the most economical use of energy, manpower and cleaning solutions.



Spare parts

Toftejorg TZ-89	4.5.2426
Toftejorg TZ-89LF	4.5.2430
Toftejorg SaniJet 20, media driven	4.5.2434
Toftejorg SaniJet 20, air driven	4.5.2444
Toftejorg TJ20G (item nos. TE20G010-014)	4.5.2456
Toftejorg TJ20G (item nos. TE20G000-024 + TE20G050-054)	4.5.2458
Toftejorg TJ20G (item nos. TE20G016-018)	4.5.2460
Toftejorg TJ20G (item nos. TE20G030-044)	4.5.2462
Toftejorg TJ20G (item nos. TE20HXXX)	4.5.2464
Toftejorg SaniJet 25	4.5.2466
Toftejorg TJ40G	4.5.2478
Toftejorg TJ40G-HD	4.5.2480
Toftejorg TZ-74	4.5.2484
Toftejorg TZ-74 brew kettle	4.5.2486
Toftejorg TZ-74 self cleaning version	4.5.2488
Toftejorg MultiJet 25	4.5.2490
Toftejorg MultiJet 40	4.5.2494
Toftejorg MultiJet 50	4.5.2500
Toftejorg MultiJet 65	4.5.2510
Toftejorg TZ-67	4.5.2520
Toftejorg TZ-79	4.5.2525
Toftejorg TZ-66	4.5.2532
Toftejorg TZ-750, portable	4.5.2536
Toftejorg TZ-750, fixed	4.5.2542

Service tools for obsolete spare parts

Tool set for ALjet Rotary Jet Head	4.5.2548
------------------------------------	----------