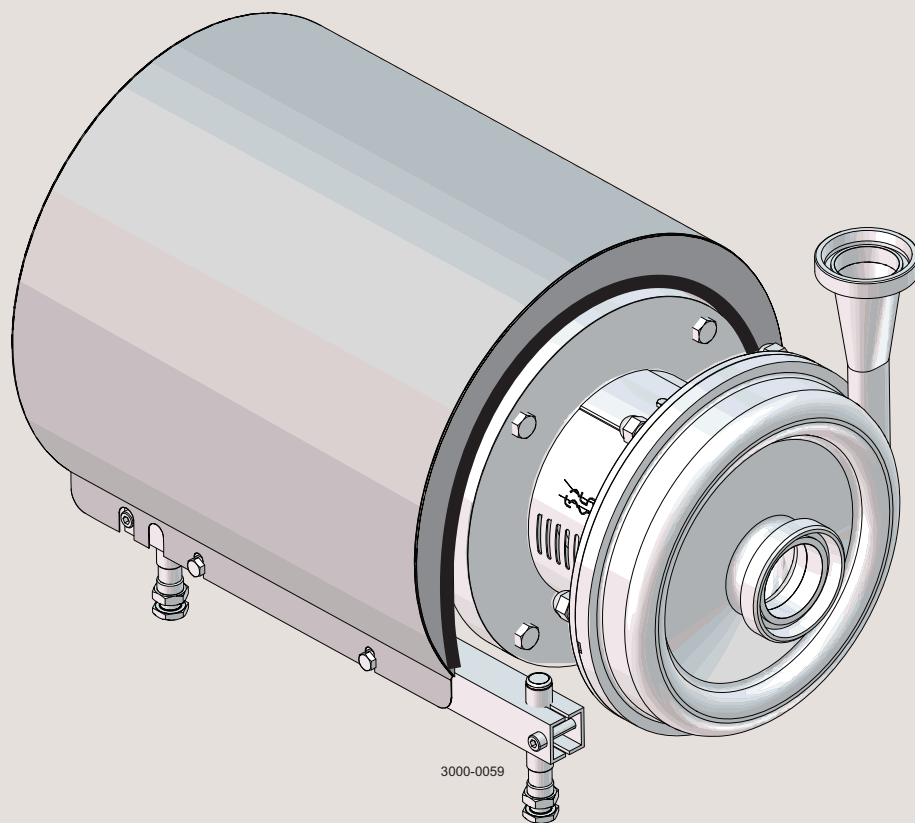




Instruction Manual

LKH Evap



ESE01861-EN5 2017-09

Original manual

The information herein is correct at the time of issue but may be subject to change without prior notice

| | |
|--|-----------|
| 1. EC Declaration of Conformity | 4 |
| 2. Safety | 5 |
| 2.1. Important information | 5 |
| 2.2. Warning signs | 5 |
| 2.3. Safety precautions | 6 |
| 3. Installation | 7 |
| 3.1. Unpacking/delivery | 7 |
| 3.2. Installation | 8 |
| 3.3. Pre-use check | 10 |
| 3.4. Recycling information | 11 |
| 4. Operation | 12 |
| 4.1. Operation/Control | 12 |
| 4.2. Trouble shooting | 14 |
| 4.3. Recommended cleaning | 15 |
| 5. Maintenance | 16 |
| 5.1. General maintenance | 16 |
| 5.2. Cleaning Procedure | 18 |
| 5.3. Dismantling of pump/shaft seals | 19 |
| 5.4. Assembly of pump/single shaft seal | 21 |
| 5.5. Assembly of pump/flushed shaft seal | 24 |
| 5.6. Assembly of pump/double mechanical shaft seal | 27 |
| 5.7. Adjustment of shaft | 30 |
| 6. Technical data | 33 |
| 6.1. Technical data | 33 |
| 6.2. Relubrication intervals | 34 |
| 6.3. Torque Specifications | 37 |
| 6.4. Weight (kg) | 37 |
| 6.5. Noise emission | 38 |
| 7. Parts list and service kits | 39 |
| 7.1. LKH Evap | 39 |
| 7.2. LKH Evap - Wet end | 40 |
| 7.3. LKH Evap - Motor dependent parts | 42 |
| 7.4. LKH Evap - Shaft seal | 44 |

1 EC Declaration of Conformity

Revision of Declaration of Conformity 2009-12-29

The Designated Company

Alfa Laval Kolding A/S

Company Name

Albuen 31, DK-6000 Kolding, Denmark

Address

+45 79 32 22 00

Phone No.

hereby declare that

Pump

Designation

LKHevap-10, LKHevap-15, LKHevap-20, LKHevap-25, LKHevap-35, LKHevap-40, LKHevap-45, LKHevap-50, LKHevap-60, LKHevap-70, LKHevap-75

Type

From serial number 10.000 to 1.000.000

is in conformity with the following directive with amendments:

- Machinery Directive 2006/42/EC

The person authorised to compile the technical file is the signer of this document

Global Product Quality Manager
Pump, Valves, Fittings and Tank Equipment

Title

Lars Kruse Andersen

Name

Kolding
Place

2013-12-03
Date

Signature



*Unsafe practices and other important information are emphasised in this manual.
Warnings are emphasised by means of special signs.
Always read the manual before using the pump!*

2.1 Important information

WARNING

Indicates that special procedures must be followed to avoid serious personal injury.

CAUTION

Indicates that special procedures must be followed to avoid damage to the pump.

NOTE

Indicates important information to simplify or clarify procedures.

2.2 Warning signs

General warning:



Dangerous electrical voltage:



Caustic agents:



2 Safety

All warnings in the manual are summarised on this page.

Pay special attention to the instructions below so that severe personal injury and/or damage to the pump are avoided.

2.3 Safety precautions

Installation:

Always read the technical data thoroughly. (See chapter 6 Technical data)

Always use a lifting crane when handling the pump.



Pump with Impeller screw:

Never start in the wrong direction of rotation with liquid in the pump.

Always have the pump electrically connected by authorised personnel. (See the motor instruction)



Operation:

Always read the technical data thoroughly. (See chapter 6 Technical data)

Never touch the pump or the pipelines when pumping hot liquids or when sterilising.

Never run the pump with both the suction side and the pressure side blocked.

Never run the pump when partially installed or not completely assembled.

Necessary precautions must be taken if leakage occurs as this can lead to hazardous situations.



Always handle lye and acid with great care.

Never use the pump for products not mentioned in Alfa Laval pump selection program.



Alfa Laval pump selection program can be acquired from your local Alfa Laval sales company.

Maintenance:

Always read the technical data thoroughly. (See chapter 6 Technical data)

Never service the pump when it is hot.

Never service the pump if pressurized.



Motors with grease nipples:

Remember lubrication according to information plate/label on the motor.

Always disconnect the power supply when servicing the pump.



Always use Alfa Laval genuine spare parts.

Transportation:

Transportation of the pump or the pump unit:

Never lift or elevate in any way other than described in this manual

Always drain the pump head and accessories of any liquid

Always ensure that no leakage of lubricants can occur

Always transport the pump in it's upright position

Always ensure that the unit is securely fixed during transportation

Always use original packaging or similar during transportation

3.1 Unpacking/delivery

Step 1

Always use a lifting crane when handling the pump (See technical data).

CAUTION

Alfa Laval cannot be held responsible for incorrect unpacking.

WARNING:

Be aware that certain pump configurations can tilt, and thereby cause injuries to feet or fingers. The pump should be supported underneath the adaptor, when not installed in the process line.

Check the delivery for:

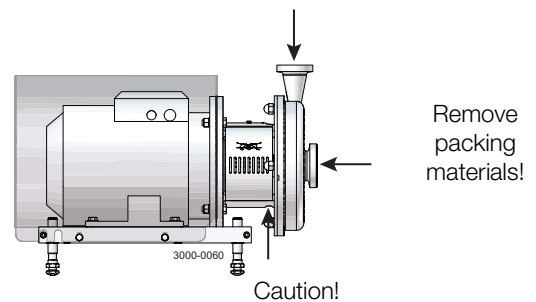
1. Complete pump.
2. Delivery note.
3. Motor instructions.

Step 2

Remove any possible packing materials from the inlet and the outlet.

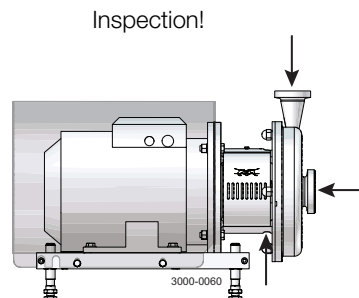
Avoid damaging the inlet and the outlet.

Avoid damaging the connections for flushing liquid, if supplied.



Step 3

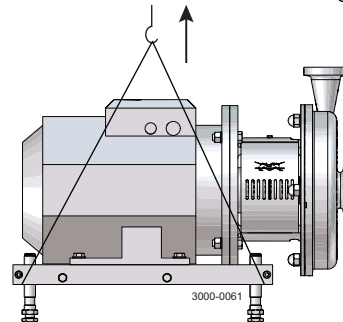
Inspect the pump for visible transport damages.



Step 4

Always remove the shroud, if fitted, before lifting the pump.

Remove the shroud before lifting!



3 Installation

Study the instructions carefully and pay special attention to the warnings! Always check the pump before operation.
- See pre-use check in section 3.3 Pre-use check.
The large pump sizes are very heavy. Alfa Laval therefore recommends the use of a lifting crane when handling the pump.

3.2 Installation

Step 1



Always read the technical data thoroughly. (See chapter 6 Technical data)



Always use a lifting crane when handling the pump. (See chapter 6 Technical data)



Always have the pump electrically connected by authorised personnel. (See the motor instructions).

CAUTION

Alfa Laval cannot be held responsible for incorrect installation.

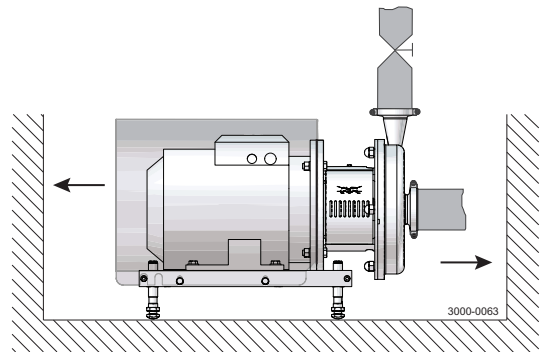
WARNING:

Alfa Laval recommend the installation of lockable repair breaker. If the repair breaker is to be used as an emergency stop the colors of the repair breaker must be red and yellow.

Caution:
The pump does not prevent back flow when intentionally or unintentionally stopped. If back flow can cause any hazardous situations precautions must be taken e.g. check valve to be installed in the system preventing above described.

Step 2

Ensure at least 0.5 m (1.6 ft) clearance around the pump.

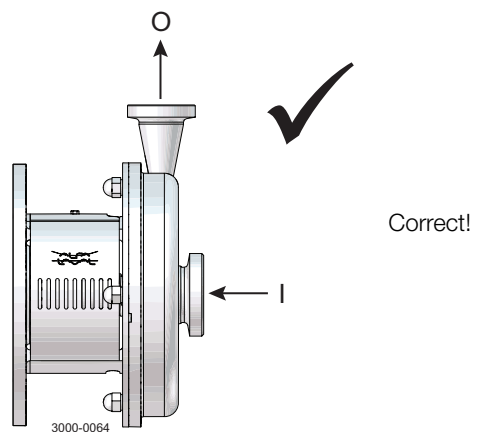


Step 3

Check that the flow direction is correct.

O: Outlet

I: Inlet



3 Installation

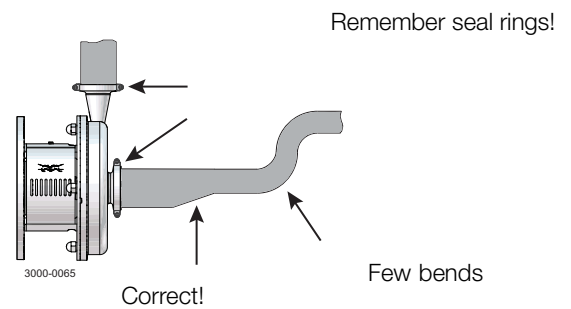
Study the instructions carefully and pay special attention to the warnings! Always check the pump before operation.

- See pre-use check in section 3.3 Pre-use check.

The large pump sizes are very heavy. Alfa Laval therefore recommends the use of a lifting crane when handling the pump.

Step 4

1. Ensure that the pipelines are routed correctly.
2. Ensure that the connections are tight.

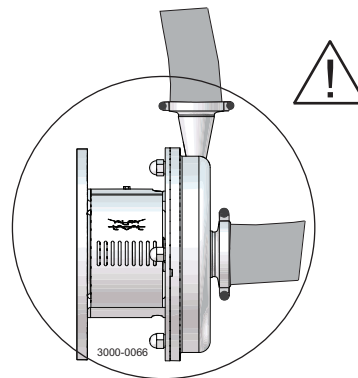


Step 5

Avoid stressing the pump.

Pay special attention to:

- Vibrations.
- Thermal expansion of the tubes.
- Excessive welding.
- Overloading of the pipelines.



Note

In case of shaft seal leakage, the media will drip from the slot in the bottom of the adaptor. In case of shaft seal leakage, Alfa Laval recommends to put a drip tray underneath the slot for collecting the leakage.

3 Installation

Study the instructions carefully and pay special attention to the warnings!
Check the direction of rotation of the impeller before operation.
- See the indication label on the pump.

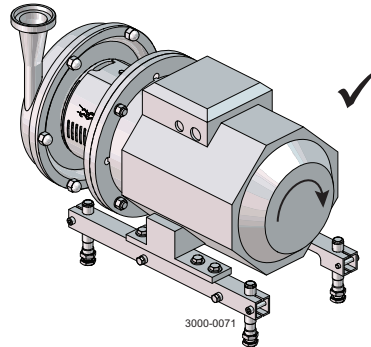
3.3 Pre-use check

Check direction of rotation



Never start in the wrong direction of rotation with liquid in the pump.

1. Start and stop the motor momentarily.
2. Ensure that the direction of rotation of the motor fan is clockwise as viewed from the rear end of the motor.



Correct

View from rear end of motor

3.4 Recycling information

- **Unpacking**

- Packing material consists of wood, plastics, cardboard boxes and in some cases metal straps.
- Wood and cardboard boxes can be reused, recycled or used for energy recovery.
- Plastics should be recycled or burnt at a licensed waste incineration plant.
- Metal straps should be sent for material recycling.

- **Maintenance**

- During maintenance oil and wear parts in the machine are replaced.
- All metal parts should be sent for material recycling.
- Worn out or defective electronic parts should be sent to a licensed handler for material recycling.
- Oil and all non metal wear parts must be taken care of in agreement with local regulations.

- **Scrapping**

- At end of use, the equipment shall be recycled according to relevant, local regulations. Beside the equipment itself, any hazardous residues from the process liquid must be considered and dealt with in a proper manner. When in doubt, or in the absence of local regulations, please contact the local Alfa Laval sales company.
-

4 Operation

Study the instructions carefully and pay special attention to the warnings!

4.1 Operation/Control

Step 1



Always read the technical data thoroughly. See chapter 6 Technical data

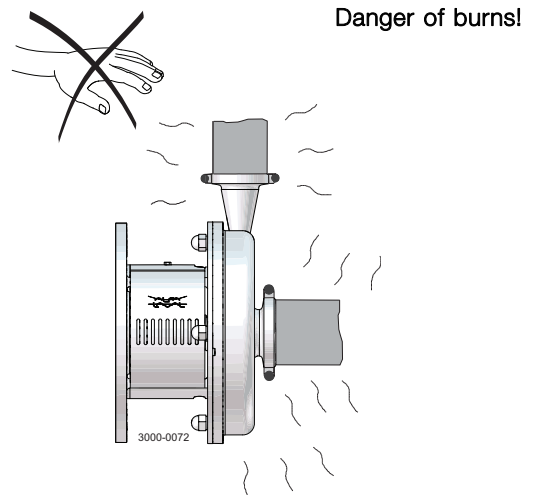
CAUTION

Alfa Laval cannot be held responsible for incorrect operation/control.

Step 2



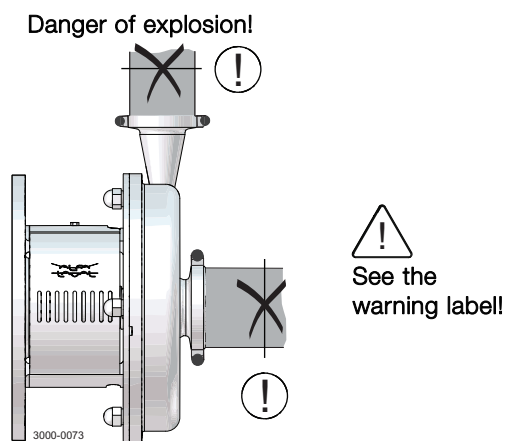
Never touch the pump or the pipelines when pumping hot liquids or when sterilising.



Step 3



Never run the pump with both the suction side and the pressure side blocked.



Study the instructions carefully and pay special attention to the warnings!

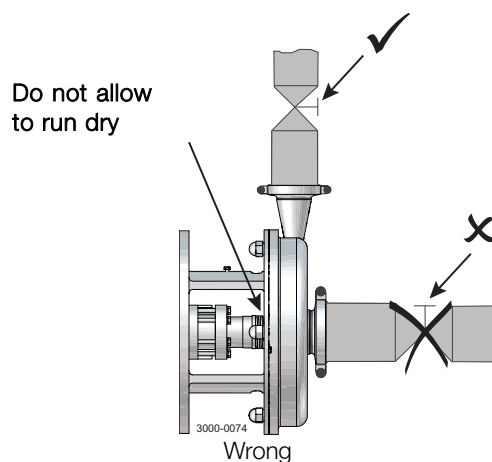
Step 4

CAUTION

The shaft seal must not run dry.

CAUTION

Never throttle the inlet side.



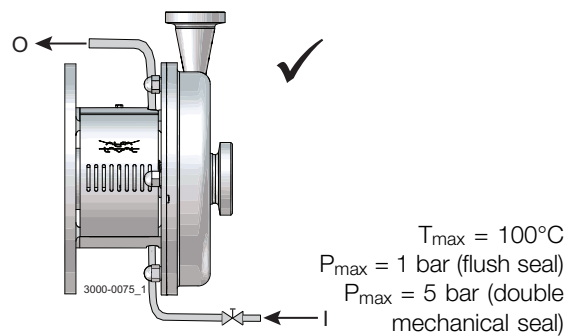
Step 5

Flushed shaft seal:

1. Connect the inlet of the flushing liquid correctly.
2. Regulate the water supply correctly.
3. Observe the steam data.

O: Free outlet

I: Inlet

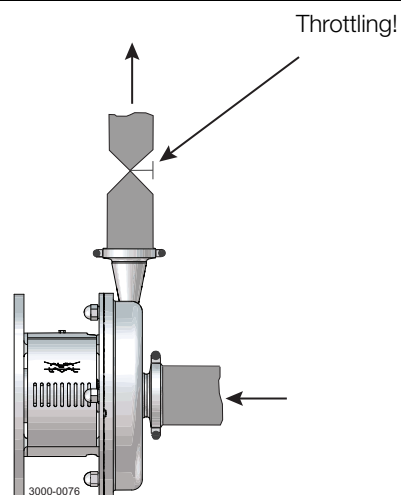


Step 6

Control:

Reduce the capacity and the power consumption by means of:

- Throttling the pressure side of the pump.
- Reducing the impeller diameter.
- Reducing the speed of the motor.



4 Operation

*Pay attention to possible faults.
Study the instructions carefully.*

4.2 Trouble shooting

NOTE!

Study the maintenance instructions carefully before replacing worn parts.

| Problem | Cause/result | Remedy |
|---|---|--|
| Overloaded motor | <ul style="list-style-type: none">- Pumping of viscous liquids- Pumping of liquids with high density- Low outlet pressure (counter pressure)- Lamination of precipitates from the liquid | <ul style="list-style-type: none">- Larger motor or smaller impeller- Higher counter pressure (throttling)- Frequent cleaning |
| Cavitation: <ul style="list-style-type: none">- Damage- Pressure reduction (sometimes to zero)- Increasing of the noise level | <ul style="list-style-type: none">- Low inlet pressure- High liquid temperature | <ul style="list-style-type: none">- Increase the inlet pressure- Reduce the liquid temperature- Reduce the pressure drop before the pump- Reduce speed |
| Leaking shaft seal | <ul style="list-style-type: none">- Dry run- Incorrect rubber grade- Abrasive particles in the liquid | Replace: All wearing parts If necessary: <ul style="list-style-type: none">- Change rubber grade- Select stationary and rotating seal ring in silicon carbide/silicon carbide |
| Leaking O-ring seals | Incorrect rubber grade | Change rubber grade |

The pump is designed for cleaning in place (CIP). CIP = Cleaning In Place.
Study the instructions carefully and pay special attention to the warnings!
NaOH = Caustic Soda.
HNO₃ = Nitric acid.

4.3 Recommended cleaning

Step 1



Always handle lye and acid with great care.

Caustic danger!



Always use rubber gloves!



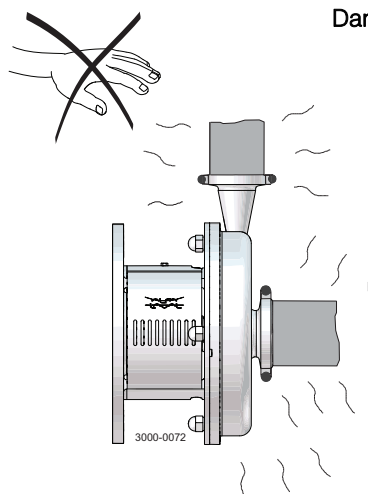
Always use protective goggles!

Step 2



Never touch the pump or the pipelines when sterilising.

Danger of burns!



Step 3

Examples of cleaning agents: Use clean water, free from chlorides.

1. 1% by weight NaOH at 70°C (158°F).

| | | |
|-----------------------|-----------------------------|-------------------|
| 1 kg (2.2 lb) NaOH | + 100 l (26.4 gal) water | = Cleaning agent. |
|-----------------------|-----------------------------|-------------------|

| | | |
|-----------------------------|-----------------------------|-------------------|
| 2.2 l (0.6 gal) 33% NaOH | + 100 l (26.4 gal) water | = Cleaning agent. |
|-----------------------------|-----------------------------|-------------------|

2. 0.5% by weight HNO₃ at 70°C (158°F).

| | | |
|---|-----------------------------|-------------------|
| 0.7 l (0.2 gal) 53% HNO ₃ | + 100 l (26.4 gal) water | = Cleaning agent. |
|---|-----------------------------|-------------------|

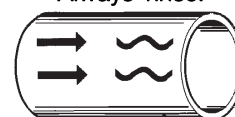
1. Avoid excessive concentration of the cleaning agent
⇒ Dose gradually!
2. Adjust the cleaning flow to the process.
Sterilization of milk/viscous liquids
⇒ Increase the cleaning flow!

Step 4



Always rinse well with clean water after using a cleaning agent.

Always rinse!



Clean water Cleaning agent

NOTE

The cleaning agents must be stored/disposed of in accordance with current regulations/directives.

5 Maintenance

Maintain the pump carefully. Study the instructions carefully and pay special attention to the warnings!
Always keep spare shaft seals and rubber seals in stock.
See separate motor instructions.
Check the pump for smooth operation after service.

5.1 General maintenance

Step 1



Always read the technical data thoroughly. (See chapter 6 Technical data)



Always disconnect the power supply when servicing the pump.

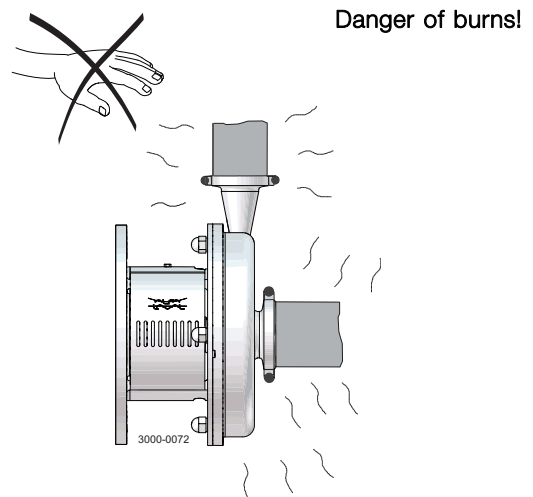
NOTE

All scrap must be stored/discharged in accordance with current rules/directives.

Step 2



Never service the pump when it is hot.



Step 3



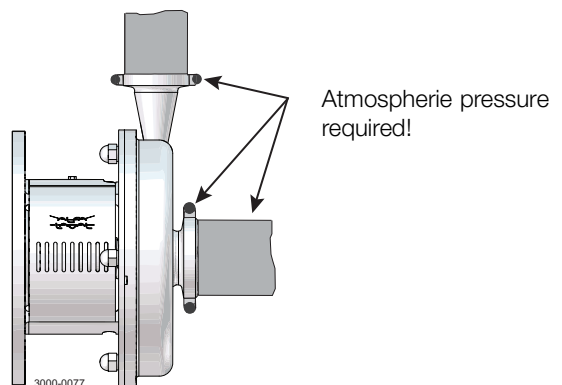
Never service the pump with pump and pipelines under pressure.

CAUTION

Fit the electrical connections correctly if they have been removed from the motor during service. (See 3.3 Pre-use check)

CAUTION

Pay special attention to the warnings!



Step 4

Recommended spare parts:

Order Service Kits from Service kits list
(See chapter 7 Parts list and service kits).

Ordering spare parts

Contact your local Alfa Laval sales company.

Note:

If pump is supplied with FEP O-rings. Alfa Laval recommend the casing O-ring is replaced when the pump is maintained.

Maintain the pump carefully. Study the instructions carefully and pay special attention to the warnings!
 Always keep spare shaft seals and rubber seals in stock.
 See separate motor instructions.
 Check the pump for smooth operation after service.

| | Shaft seal | Rubber seals | Motor bearings |
|---|---|--|---|
| Preventive maintenance | Replace after 12 months: (one-shift) Complete shaft seal | Replace when replacing the shaft seal | |
| Maintenance after leakage (leakage normally starts slowly) | Replace at the end of the day: Complete shaft seal | Replace when replacing the shaft seal | |
| Planned maintenance | <ul style="list-style-type: none"> - Regular inspection for leakage and smooth operation - Keep a record of the pump - Use the statistics for planning of inspections Replace after leakage: Complete shaft seal | Replace when replacing the shaft seal | Yearly inspection is recommended <ul style="list-style-type: none"> - Replace complete bearing if worn - Ensure that the bearing is axially locked (See motor instructions) |
| Lubrication | Before fitting Lubricate the O-rings with silicone grease or silicone oil | Before fitting Silicone grease or silicone oil | See section 6.2 Relubrication intervals |

Pre-use check

CAUTION!

Fit the electrical connections correctly if they have been removed from the motor during service.
 (See 3.3 Pre-use check).

Pay special attention to warnings!

1. Start and stop the motor momentarily
2. Ensure that the pump operates smoothly.

5 Maintenance

5.2 Cleaning Procedure

Cleaning Procedure for Soiled Impeller Screw Tapped Hole:

1. Remove stub shaft (7) per section 4 of Service manual.
2. Submerge and soak Stub Shaft for 5 minutes in COP tank with 2% caustic wash
3. Scrub the blind tapped impeller screw hole vigorously by plunging a clean 1/2" diameter sanitary bristle pipe brush in and out of the hole for two minutes while submerged.
4. Soak Stub Shaft (7) in acid sanitizer for 5 minutes, then scrub blind tapped hole as described in step 3 above.
5. Rinse well with clean water and blow-dry blind tapped hole with clean air.
6. Swab test the inside of the tapped hole to determine cleanliness.
7. Should the swab test fail, repeat steps 2 thru 6 above until swab test is passed.

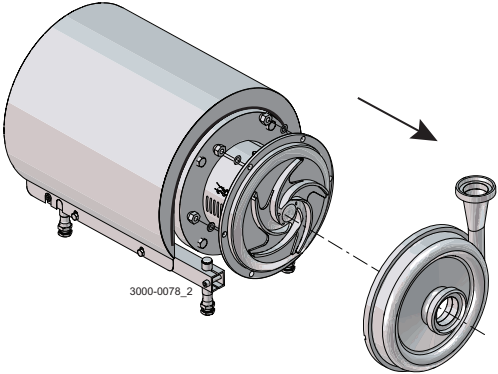
Should swab testing continue to fail, or time is of the essence, install a new (spare) Stub Shaft (7).

Study the instructions carefully. The items refer to the parts list and service kits section.
Handle scrap correctly.
* : Relates to the shaft seal.

5.3 Dismantling of pump/shaft seals

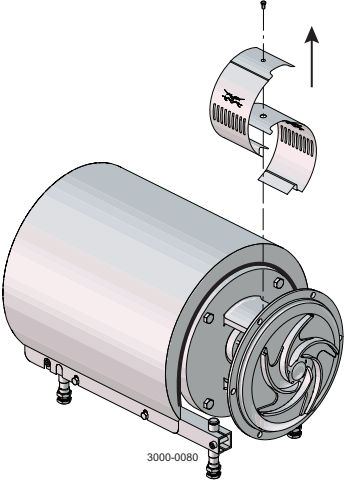
Step 1

- 1. Unscrew cap nuts (24) and remove washers (24a) and pump casing (29).



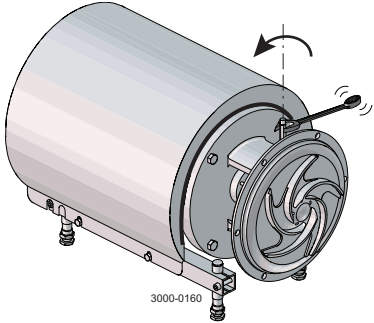
Step 2

- Remove screw (23) and safety guard (22).



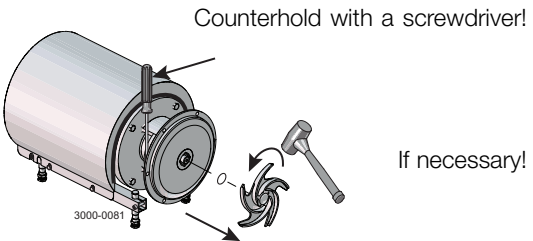
Step 3

- Flushed / Double Mechanical shaft seal:
Unscrew fittings (42) using a spanner.



Step 4

- 1. Remove impeller screw (39).
- 2. Remove impeller (36/37). If necessary, loosen the impeller by knocking gently on the impeller vanes.
- 3. Remove the O-ring (38) from the impeller.



5 Maintenance

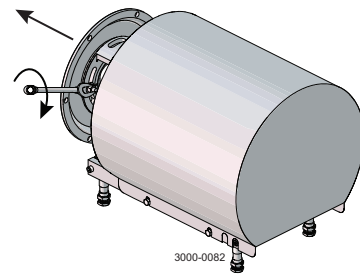
Study the instructions carefully. The items refer to the parts list and service kits section.

Handle scrap correctly.

* : Relates to the shaft seal.

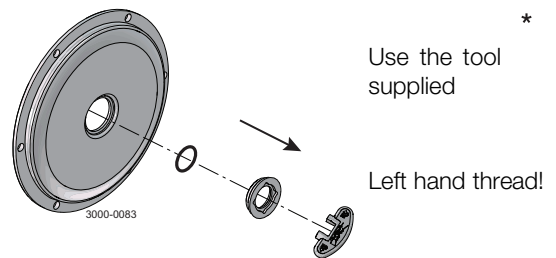
Step 5

1. Pull off the O-ring (26) from back plate (25).
2. Unscrew nuts (20) and remove washers (21) and the back plate.



Step 6

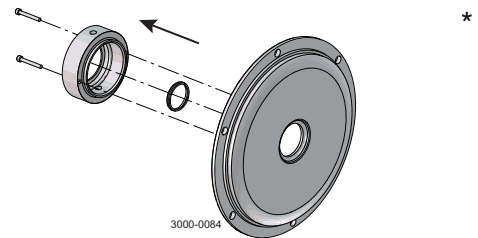
1. Remove the stationary seal ring (11).
2. Remove the O-ring (12) from back plate (25).



Step 7

Flushed shaft seal:

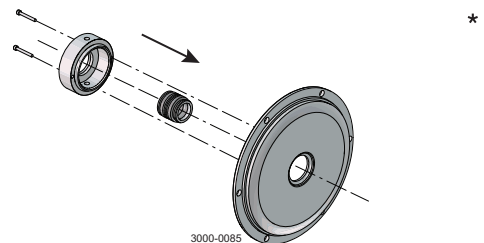
1. Remove screws (41) and seal housing (40).
2. Pull out lip seal (43) from the seal housing.



Step 8

Double mechanical shaft seal:

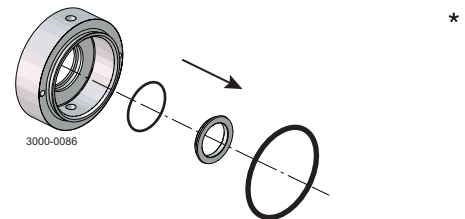
1. Remove screws (41) and seal housing (40a).
2. Remove rotating seal rings (14) and drive ring (52) from spring (13).
3. Remove O-rings (15) from rotating seal rings (14).
4. LKH Evap-70 to 75: Remove cups (54) from rotating seal rings.



Step 9

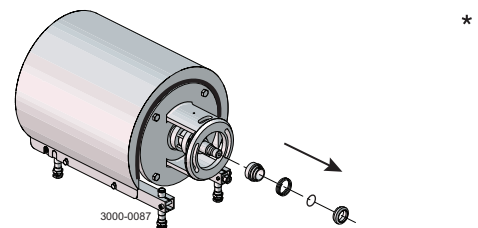
Double mechanical shaft seal:

1. Remove stationary seal ring (51) from seal housing (40a).
2. Remove O-ring (50) from stationary seal ring (51).
3. Remove O-ring (44) from seal housing (40a).



Step 10

1. Remove the complete shaft seal from stub shaft (7).
2. Remove spring (13) and rotating seal ring (14) from the drive ring (10).



Study the instructions carefully. The items refer to the parts list and service kits section.

Handle scrap correctly.

* : Relates to the shaft seal.

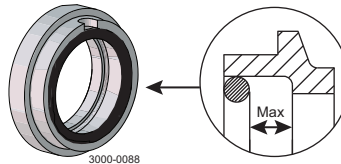
5.4 Assembly of pump/single shaft seal

Step 1

1. Remove spring (13).

NOTE!

Make sure that O-ring (15) has max. clearance from the sealing surface.



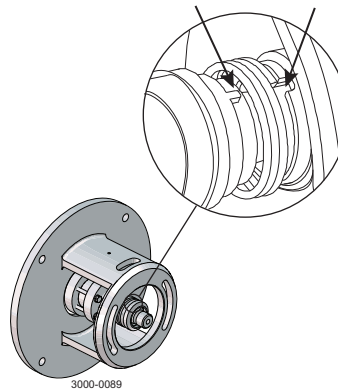
*

Step 2

1. Refit spring (13) on rotating seal ring (14).
2. Fit the spring and the rotating seal ring on drive ring (10).

CAUTION

Ensure that the driver on the drive ring enters the notch in the rotating seal ring.



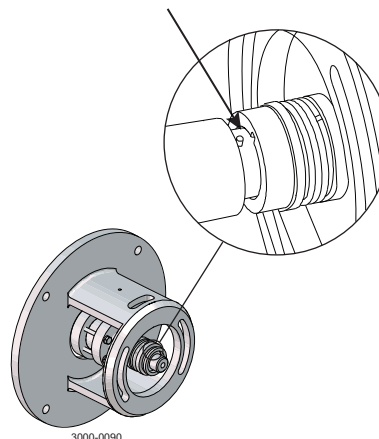
*

Step 3

- Fit the complete shaft seal on stub shaft (7).

NOTE!

Make sure that connex pin (8) on the stub shaft enters the notch in drive ring (10).



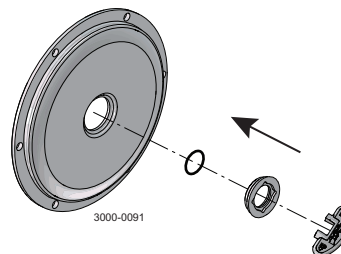
*

Step 4

1. Fit O-ring (12) on stationary seal ring (11) and lubricate.
2. Screw the stationary seal ring into back plate (25).

CAUTION

Only tighten by hand to avoid deforming the stationary seal ring.
(Max 7Nm/5 lbf-ft)



Use the tool
supplied

Left hand thread!

*

5 Maintenance

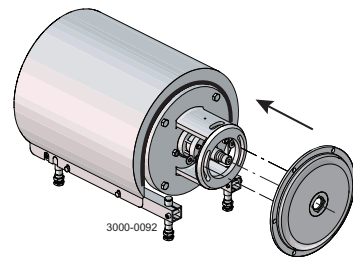
Study the instructions carefully. The items refer to the parts list and service kits section.

Handle scrap correctly.

* : Relates to the shaft seal.

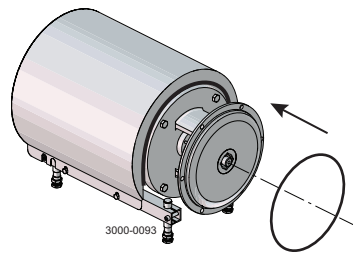
Step 5

1. Clean the sealing surfaces with contact cleaner before fitting back plate (25).
2. Carefully guide the back plate onto adaptor (16).
3. Fit washers (21) and nuts (20).



Step 6

Lubricate O-ring (26) and slide it onto back plate (25).

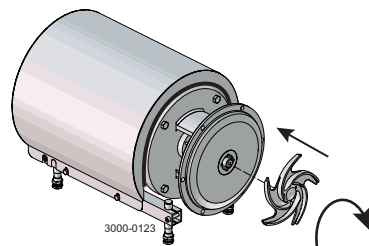


Step 7

1. Lubricate O-ring (38) and fit it in impeller (37).
2. Lubricate impeller hub with silicone grease or oil.
3. Screw the impeller onto stub shaft (7).
4. Fit impeller screw (39) and tighten.

Torque - 10-60 = 20 Nm (7.4 lbf-ft)

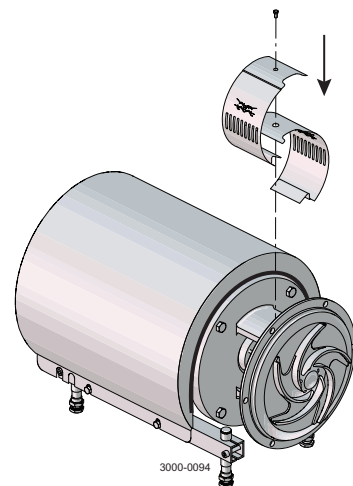
Torque - 70-75 = 50 Nm (37 lbf-ft)



Step 8

Fit safety guards (22) and screw (23) and tighten.

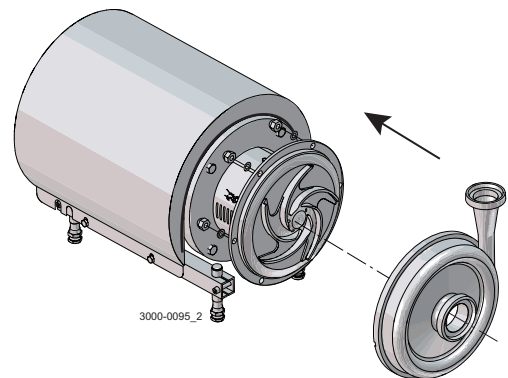
If pump is not supplied with flush connections the holes in the adaptor shall be covered by the guard.



Study the instructions carefully. The items refer to the parts list and service kits section.
Handle scrap correctly.
* : Relates to the shaft seal.

Step 9

1. Fit pump casing (29), washers (24a) and cap nuts (24).
2. Adjust pump casing to the right position.
3. Tighten nuts (20) for back plate (25) and tighten cap nuts (24), according to torque values in chapter 6 Technical data.



5 Maintenance

Study the instructions carefully. The items refer to the parts list and service kits section.

Lubricate the rubber seals before fitting them.

* : Relates to the shaft seal.

5.5 Assembly of pump/flushed shaft seal

Step 1

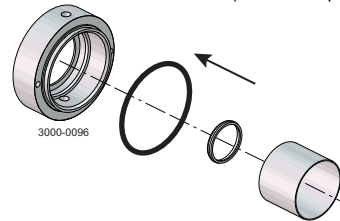
Flushed shaft seal :

LKH Evap-10 to -60 use $\varnothing 63$ mm tube

LKH Evap-70 to -75 press in lip seal by hand

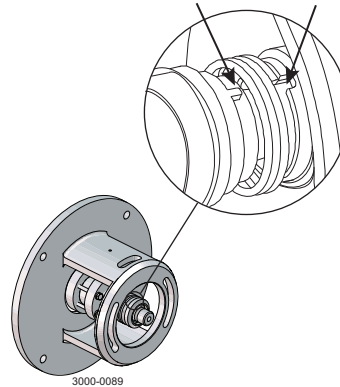
1. Fit lip seal (43) in seal housing (40).
2. Lubricate O-ring (44) and slide onto the seal housing (40).
3. Fit the seal housing on back plate (25) and tighten screws (41).

Use $\varnothing 63$ mm tube! (LKH Evap 10-60) *



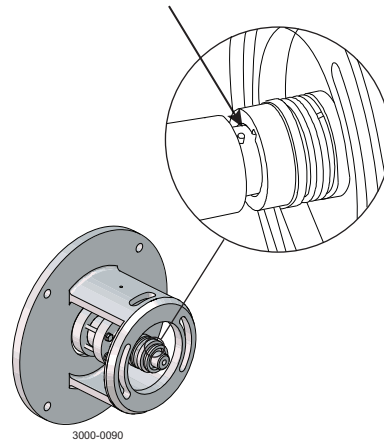
Step 2

1. Clean the sealing surfaces with contact cleaner.
2. Fit seal housing (40a) on the back plate (25) and tighten screws (41).



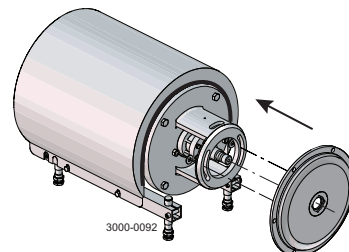
Step 3

1. Carefully guide back plate (25) onto adaptor (16).
2. Fit washers (21) and nuts (20).



Step 4

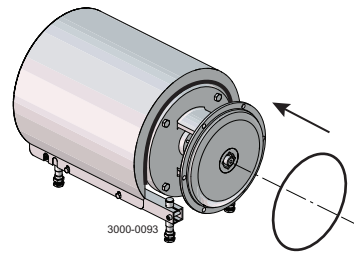
1. Carefully guide back plate (25) onto adaptor (16).
2. Fit washers (21) and nuts (20).



Study the instructions carefully. The items refer to the parts list and service kits section.
Lubricate the rubber seals before fitting them.
* : Relates to the shaft seal.

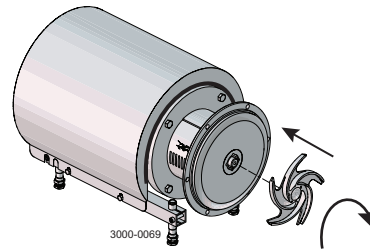
Step 5

Lubricate O-ring (26) and slide it onto back plate (25).



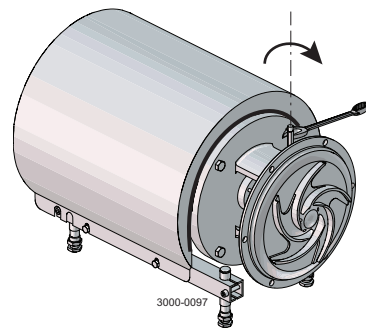
Step 6

1. Lubricate O-ring (38) and fit it in impeller (37).
 2. Lubricate the impeller hub with silicone grease or oil.
 3. Screw impeller (36/37) onto stub shaft (7).
 4. Fit impeller screw (39) and tighten.
- Torque - 10-60: 20 Nm (7.4 lbf-ft)
Torque - 70-75: 50 Nm (37 lbf-ft)



Step 7

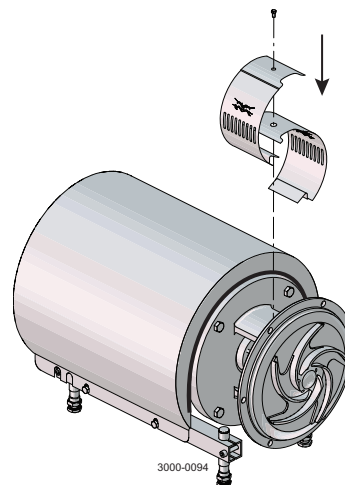
1. Screw fittings (42) into seal housing (40).
2. Tighten with a spanner.



*

Step 8

Fit safety guard (22) and screw (23) and tighten.

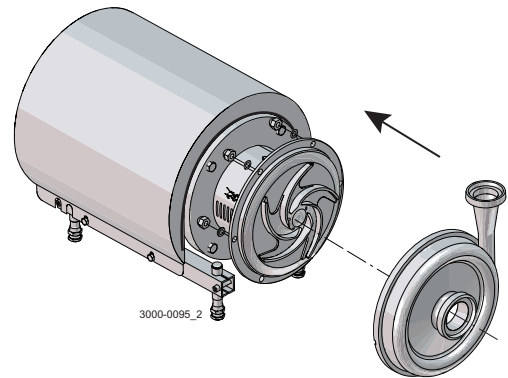


5 Maintenance

Study the instructions carefully. The items refer to the parts list and service kits section.
Lubricate the rubber seals before fitting them.
* : Relates to the shaft seal.

Step 9

1. Fit pump casing (29).
2. Tighten nuts (20) for back plate (25).
3. Fit washers (24a) and cap nuts (24) and tighten, according to torque values in chapter 6 Technical data.



Study the instructions carefully. The items refer to the parts list and service kits section.
Lubricate the rubber seals before fitting them.
* : Relates to the shaft seal.

5.6 Assembly of pump/double mechanical shaft seal

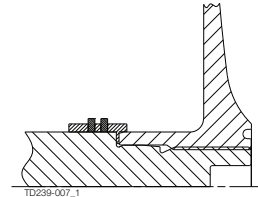
Step 1

1. Fit O-rings (15) in rotating seal rings (14). *
2. LKH Evap-70 to -75: Fit cups (54) on rotating seal rings (14).
3. Fit spring (13) on one of the rotating seal rings (14) and place the drive ring (52) in between.

Step 2

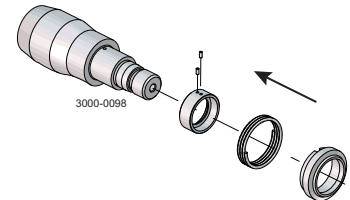
1. LKH Evap-70 to -75: Turn the drive ring (52) in order to place it correctly on the pump shaft (7).
2. Fit the second rotating ring (14) on the other end of the spring.
3. Place the parts on the stationary seal ring fitted in back plate (25).

Only LKH Evap-70 to -75 *



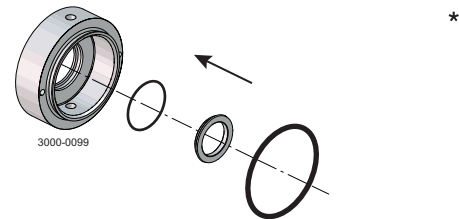
NOTE

Ensure that both drive pins on the drive ring enters the notches in rotating seal rings.



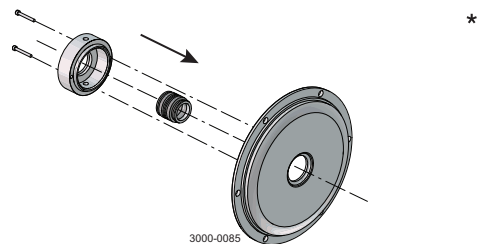
Step 3

1. Lubricate O-ring (44) and slide onto seal housing (40a).
2. Lubricate O-ring (50) and fit on stationary seal ring (51) and fit this in the seal housing.



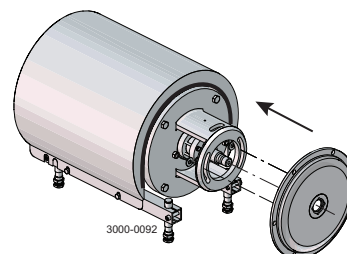
Step 4

1. Clean the sealing surfaces with contact cleaner.
2. Fit seal housing (40a) on the back plate (25) and tighten screws (41).



Step 5

1. To enable fitting back plate (25) with the shaft seal remove connex pin (8) from stub shaft (7) (if fitted).
2. Carefully guide the back plate onto adaptor (16).
3. Fit washers (21) and nuts (20).



5 Maintenance

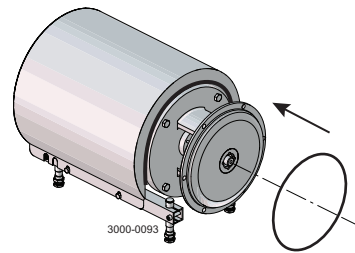
Study the instructions carefully. The items refer to the parts list and service kits section.

Lubricate the rubber seals before fitting them.

* : Relates to the shaft seal.

Step 6

Lubricate O-ring (26) and slide it onto back plate (25).

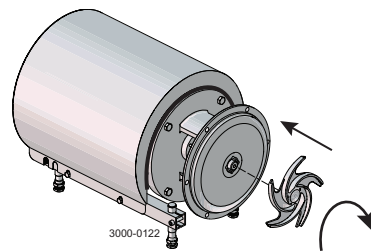


Step 7

1. Lubricate O-ring (38) and fit it in impeller (36/37).
2. Lubricate the impeller hub with silicone grease or oil.
3. Screw impeller (36/37) onto stub shaft (7).
4. Fit impeller screw (39) and tighten.

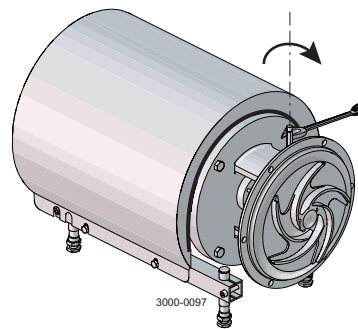
Torque - 10-60: 20 Nm (7.4 lbf-ft)

Torque - 70-75: 50 Nm (37 lbf-ft)



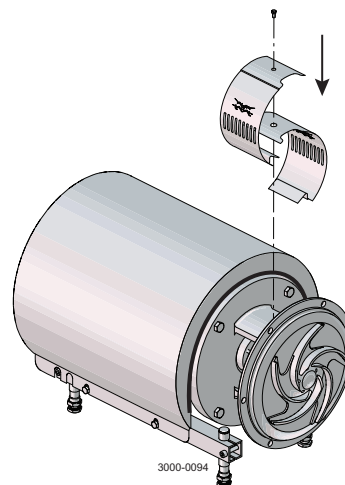
Step 8

1. Screw fittings (42) into seal housing (40a).
2. Tighten with a spanner.



Step 9

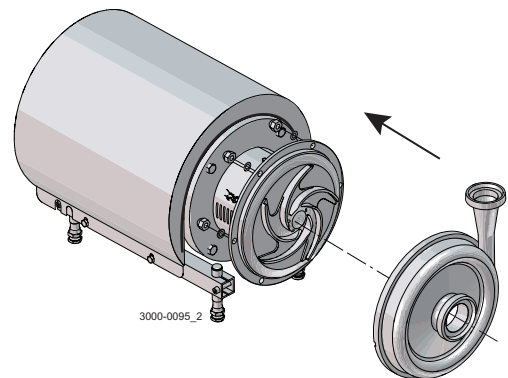
Fit safety guard (22) and screw (23) and tighten.



Study the instructions carefully. The items refer to the parts list and service kits section.
Lubricate the rubber seals before fitting them.
* : Relates to the shaft seal.

Step 10

1. Fit pump casing (29).
2. Tighten nuts (20) for back plate (25).
3. Fit washers (24a) and cap nuts (24) and tighten, according to torque values in chapter 6 Technical data.



5 Maintenance

Study the instructions carefully. The items refer to the parts list and service kits section.

Lubricate the rubber seals before fitting them.

* : Relates to the shaft seal.

5.7 Adjustment of shaft

LKH Evap -70 to -75

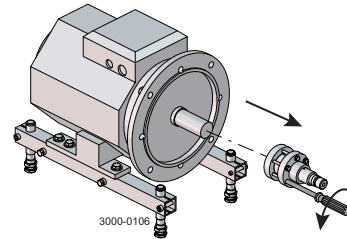
For securing the best fixture to the motor shaft ensure the following:

- Conical surfaces on pump shaft and compression rings are applied with grease.
- No grease on the motor shaft.
- No grease on the inside diameter of the pump shaft.
- Screws for the compression rings are applied with grease.

Step 1

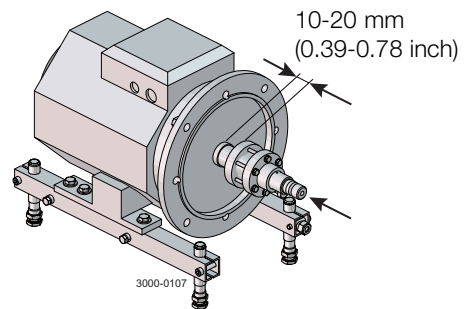
1. Loosen screws (6).
2. Pull off stub shaft (7) together with compression rings (5a,5b).

See special cleaning procedure for tapped hole in stub shaft page 18.



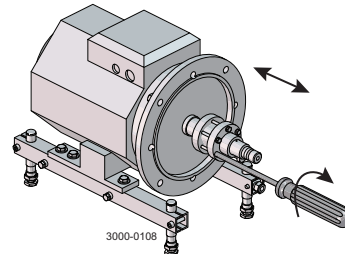
Step 2

1. Push stub shaft (7) together with compression rings (5a, 5b) onto the motor shaft.
2. Check that the clearance between the end of the stub shaft and the motor flange is 10-20 mm (0.39 - 0.78 inch).



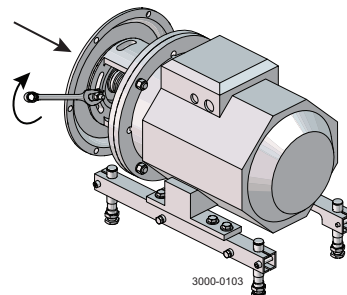
Step 3

1. Tighten screws (6) lightly and evenly.
2. Ensure that stub shaft (7) can be moved on the motor shaft.



Step 4

1. For double mechanical shaft seal:
Fit drive ring (52) on stub shaft (7).
2. Fit back plate (25), washers (21) and nuts (20) and tighten.

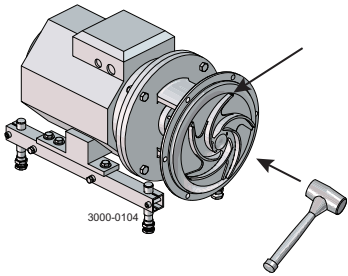


5 Maintenance

Study the instructions carefully. The items refer to the parts list and service kits section.
Lubricate the rubber seals before fitting them.
* : Relates to the shaft seal.

Step 5

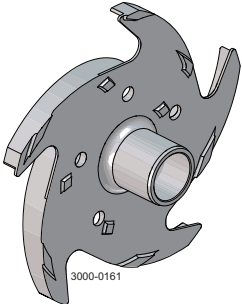
- 1. Fit impeller (36/37) on stub shaft (7).
- 2. Ensure that the clearance between the impeller and back plate (25) is correct: 0.5 mm (0.02 inch) for LKH Evap-10 to 60 and 1.0 mm (0.039 inch) for LKH Evap-70 to -75.



LKH Evap-10 to -60 = 0.5 mm (0.02 inch)
LKH Evap-70 to -75 = 1.0 mm (0.039 inch)

Step 6

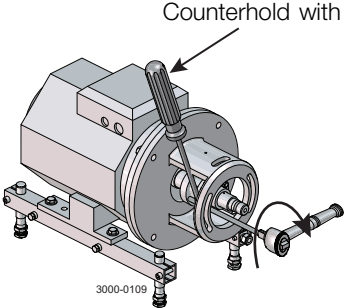
Clear Flow impeller



NOTE! If pump is mounted with “ClearFlow” impeller the clearance must be adjusted from the knobs to backplate.

Step 7

- 1. Remove impeller (36/37), back plate (25) and drive ring (52).
- 2. Tighten screws (6) evenly to 15 Nm (11 lbf-ft).



Counterhold with a screwdriver *

15Nm
(11 lbf-ft)

*It is important to observe the technical data during installation, operation and maintenance.
Inform personnel about the technical data.*

6.1 Technical data

The LKH Evap pump is highly efficient and economical centrifugal pump, which meets the requirements of sanitary and gently product treatment and chemical resistance. LKH Evap is available in the following sizes LKH Evap -10, -15, -20, -25, -35, -40, -50, -60, -70 and -75. The instruction manual is part of the delivery. Study the instructions carefully. The large pump sizes are very heavy. Alfa Laval therefore recommends the use of a lifting crane when handling the pump.

| Data | |
|--|--|
| Max. inlet pressure | LKH Evap-10 to -70 (50 Hz): 1000 kPa (10 bar) (145 psi) LKH Evap-10 to -60 (60 Hz): 1000 kPa (10 bar) (145 psi) LKH Evap-70 to -75 (60 Hz): 500 kPa (5 bar) (72.5 psi) |
| Temperature range | -10°C to +140°C (EPDM) (14 to 284°F) |
| Max. speed: | 4000 rpm |
| Materials | |
| Product wetted steel parts | AISI 316L |
| Other steel parts | Stainless steel |
| Finish | Standard blasted |
| Product wetted seals | EPDM (standard) |
| Other O-rings | EPDM |
| Alternative seals | Nitrile (NBR), Fluorinated rubber (FPM) and FEP |
| Shaft seal | |
| Seal types | External single, flushed or double mechanical seal |
| Max. temperature flush media | 70°C |
| Max. water pressure (flushed seal) | Normally atmospheric (max. 1 bar) (max. 14.5 psi) |
| Water consumption (flushed seal) | 0.25 - 0.5 l/min. (0.07-0.13 gal) |
| Max. water pressure LKH Evap-10 to -60 (DMS) | Normally atmospheric (max. 5 bar) (max. 72.5 psi) |
| Max. water pressure LKH Evap-70 to -75 (DMS) | Normally atmospheric (max. 3 bar) (max. 43.5 psi) |
| Water consumption (double mechanical seal) | 0.25-0.5 l/min. (0.07-0.13 gal) |
| Material, stationary seal ring | Acid resistant steel with sealing surface of silicon carbide |
| Material, rotating seal ring | Carbon (standard) or silicon carbide |
| Material, O-rings | EPDM (standard) |
| Alternative material, O-rings | Nitrile (NBR), fluorinated rubber (FPM) and FEP |
| Motor | |
| IEC LKH Evap-10 to -70 | |
| Standard foot-flanged motor acc. to IEC metric standard 2 poles = 3000/3600 rpm. at 50/60 Hz IP55 (drain hole with labyrinth plug), insulation class F | |
| Motor sizes (kW), 50 Hz | 1.5 - 75 kW |
| Motor sizes (kW), 60 Hz | 1.75 - 86 kW |
| Nema LKH Evap | |
| For LKH Evap-10 to -70: Standard foot-flanged motor acc. to NEMA standard. 2 pol = 3600 rpm. at 60 Hz. | |
| For LKH Evap-75: Standard foot-flanged motor acc. to NEMA standard. 4 pol = 1800 rpm. at 60 Hz. | |
| Motor sizes (Hp), 60 Hz | 1.5 - 2.0 - 3.0 - 5.0 - 7.5 - 10.0 - 15.0 - 20.0 - 25.0 - 30.0 - 40.0 - 50.0 - 60.0 - 75.0 - 100.0 Hp |

For further information - see PD sheet.

6 Technical data

It is important to observe the technical data during installation, operation and maintenance.
Inform the personnel about the technical data.

6.2 Relubrication intervals

The table is for an internal bearing temperature of 100°C. An increase in temperature of 15°C (ambient or internal in bearings), will reduce the greasing interval and bearing lifetime by 50%. The lubrication interval for vertically mounted pumps is half the value stated in the table.

ABB IEC motors, IE3

| Motor power (kW) | LKH5 -90 LKH110 -60* LKH-110* LKHSP LKH UltraPure 50/60 Hz | LKHPF-10 -60 LKH1-10 -60 LKH-110 3300 Bearing 50/60 Hz | LKHPF-70 LKH-120 7200 Bearing 50/60 Hz | LKH-85 7300 Bearing 50/60 Hz |
|------------------|---|--|---|------------------------------------|
| 0.75 | Permanently lubricated | | | |
| 1.1 | Permanently lubricated | | | |
| 1.5 | Permanently lubricated | Not available | | |
| 2.2 | Permanently lubricated | Permanently lubricated | | |
| 3.0 | Permanently lubricated | Not available | | |
| 4.0 | Permanently lubricated | Permanently lubricated | | |
| 5.5 | Permanently lubricated | 3600h/3000h - DE/NDE:15g* | | |
| 7.5 | Permanently lubricated | 3600h/3000h - DE/NDE:15g* | | |
| 11 | Permanently lubricated | 3100h/2300h - DE/NDE:25g | | |
| 15 | Permanently lubricated | 3100h/2300h - DE/NDE:25g | | |
| 18.5 | Permanently lubricated | 3100h/2300h - DE/NDE:25g | | |
| 22 | Permanently lubricated | 2600h/2000h - DE/NDE:42g | 4000h/2200h - DE/NDE:42g | |
| 30 | Permanently lubricated | | 4000h/2800h - DE/NDE:55g | 8000h/ - - DE/NDE:40g |
| 37 | Permanently lubricated | | 4000h/2800h - DE/NDE:55g | 8000h/ - - DE/NDE:40g |
| 45 | Permanently lubricated | | 2500h/1000h - DE/NDE:55g | 8000h/ - - DE/NDE:40g |
| 55 | Permanently lubricated | | 2500h/1000h - DE/NDE:73g | 8000h/3000h - DE/NDE:60g |
| 75 | Permanently lubricated | | 1500h/500h - DE/NDE:73g | 4000h/1500h - DE/NDE:60g |
| 90 | | | | 4000h/2800h - DE/NDE:45g |
| 110 | | | | 4000h/2800h - DE/NDE:45g |

* inlet pressure less than 10 bar (145 psi)

Recommended grease types:

LKHPF-10/-70 – LKH-110 - LKH-120:

Esso: Unirex N2 or N3 (Lithium complex base)
 Mobil: Mobilith SHC 100 (Lithium complex base)
 Shell: Shell Gadus S5 V100 2 (Lithium complex base)
 Klüber: Klüberplex BEM 41-132 (Special Lithium base)
 FAG: Arcanol TEMP110 (Lithium complex base)
 Lubcon: Turmogrease L 802 EP PLUS (Lithium complex base)

*LKHPF-10/-60 – LKH-110

Klüber: Klüber Asonic HQ72-102 (Polyurea base)

LKH-85:

Klüber: Klüberplex Quiet BQH 72-102 (Polyurea base)
 Lubcon: Turmogrease PU703 (Polyurea base)

WARNING: Polyurea-based grease must not be mixed with Lithium complex base grease and vice versa.

*It is important to observe the technical data during installation, operation and maintenance.
Inform the personnel about the technical data.*

WEG IEC Motors, IE3

| Motor power (kW) | LKH-5 -70 LKHI-10 -60* LKH-110* LKHSP, LKH Evap LKH UltraPure 50/60 HZ |
|------------------|---|
| 0.75 | Permanently lubricated |
| 1.1 | Permanently lubricated |
| 1.5 | Permanently lubricated |
| 2.2 | Permanently lubricated |
| 3.0 | Permanently lubricated |
| 4.0 | Permanently lubricated |
| 5.5 | Permanently lubricated |
| 7.5 | Permanently lubricated |
| 11 | Permanently lubricated |
| 15 | Permanently lubricated |
| 18.5 | Permanently lubricated |
| 22 | 10000/10000h - DE/NDE: 18g |
| 30 | 10000/10000h - DE/NDE: 21g |
| 37 | 10000/10000h - DE/NDE: 21g |
| 45 | Not available |
| 55 | 5000/5000h - DE/NDE: 27g |
| 75 | 5000/5000h - DE/NDE: 27g |

* inlet pressure < 10 bar (145 psi)

Recommended grease types:

Mobil POLYREX EM 103

6 Technical data

*It is important to observe the technical data during installation, operation and maintenance.
Inform the personnel about the technical data.*

Table 1. Sterling Nema motors

| Motor RPM | Frame VS. HP | Type of service Standard 8 hrs/day | Heavy duty 24 hrs/day |
|-----------|---------------------------|--|--------------------------|
| 3600 | 143T - 286TS 1.5 - 30 | * | * |
| | 324TS - 455TS 40 - 150 | 6 Months | 2 Months |
| 1800 | 143T - 256T 1 - 20 | * | * |
| | 284T - 326T 25 - 50 | 4 Months | 18 Months |
| | 364T - 445T 60 - 150 | 9 Months | 3 Months |
| 1200 | 143T - 256T 0.75 - 10 | * | * |
| | 284T - 326T 15 - 30 | 4 Years | 18 Months |
| | 364T - 445T 40 - 125 | 1 Year | 4 Months |

* Motor of this size normally do not have bearings that can be re-lubricated.
These bearings should be replaced at least every 5 years for 8 hr/day service, or every 2 years for 24 hr/day service.

Warning: Bearing grease is Klüber NBU-15 - DO NOT SUBSTITUTE!

*It is important to observe the technical data during installation, operation and maintenance.
Inform the personnel about the technical data.*

6.3 Torque Specifications

Below table specifies the tightening torques for the screws, bolts and nuts in this pump.
Always use below torques if no other values are stated. This can be a matter of personal safety.

| Size | Tightening torque | |
|------|-------------------|--------|
| | Nm | lbf-ft |
| M8 | 20 | 14.8 |
| M10 | 40 | 29.5 |
| M12 | 67 | 49.0 |
| M14 | 110 | 81.0 |

6.4 Weight (kg)

Pump Type: LKHevap

| Size | 90 | | 100 | | 112 | | 132 | | 160 | | 180 | | 200 | | 250 | |
|------|-------|-------|-----|-----|-------|-------|------|------|--------|------|------|------|------|------|------|--|
| | 1.5kW | 2.2kW | 3kW | 4kW | 5.5kW | 7.5kW | 11kW | 15kW | 18.5kW | 22kW | 30kW | 37kW | 45kW | 55kW | 75kW | |
| 10 | 53 | 55 | 70 | 75 | | | | | | | | | | | | |
| 15 | | | 73 | 78 | 95 | | | | | | | | | | | |
| 20 | 55 | 57 | 72 | 77 | 94 | 108 | | | | | | | | | | |
| 25 | | | | 81 | 98 | 112 | 171 | 185 | | | | | | | | |
| 35 | | | | 81 | 98 | 112 | 171 | 185 | | | | | | | | |
| 40 | | | | | | 115 | 174 | 188 | 206 | 225 | | | | | | |
| 45 | | | | 82 | 99 | 113 | 172 | 186 | | | | | | | | |
| 50 | | | | | 101 | 115 | 174 | 188 | 206 | 225 | | | | | | |
| 60 | | | | | 102 | 116 | 175 | 189 | 207 | 226 | 334 | | | | | |
| 70 | | | | | 138 | 152 | 196 | 210 | 228 | 259 | 365 | 380 | 396 | 522 | 557 | |

Weight can vary depending of configuration. Weight is only to be seen as a reference value during handling, transporting and packaging.

6 Technical data

*It is important to observe the technical data during installation, operation and maintenance.
Inform the personnel about the technical data.*

6.5 Noise emission

| Pump Type | Sound pressure level (dBA) |
|-----------|----------------------------|
| LKH-5 | 60 |
| LKH-10 | 69 |
| LKH-15 | 72 |
| LKH-20 | 70 |
| LKH-25 | 74 |
| LKH-35 | 71 |
| LKH-40 | 75 |
| LKH-45 | 70 |
| LKH-50 | 75 |
| LKH-60 | 77 |
| LKH-70 | 88 |
| LKH-75 | 79 |
| LKH-85 | 86 |
| LKH-90 | 75 |
| LKH-112 | 70 |
| LKH-113 | 69 |
| LKH-114 | 68 |
| LKH-122 | 75 |
| LKH-123 | 77 |
| LKH-124 | 80 |
| SolidC-1 | 68 |
| SolidC-2 | 72 |
| SolidC-3 | 73 |
| SolidC-4 | 72 |
| MR-166 | 76 |
| MR-185 | 82 |
| MR-200 | 81 |
| MR-300 | 82 |
| GM | 54 |
| FM-OS | 61 |

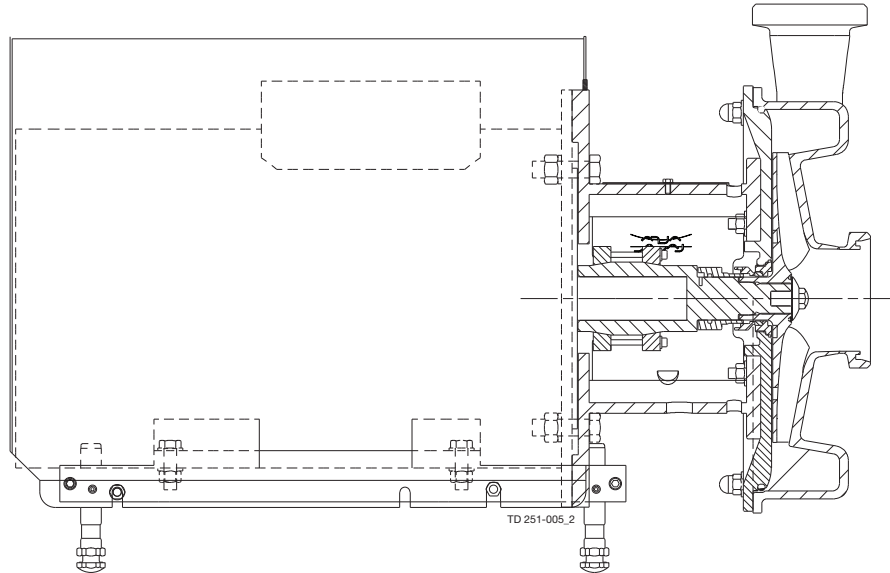
The above LKH noise levels are the same for LKHPPF, LKHl, LKH UltraPure, LKH Evap, LKHHex.
The above SolidC noise levels are the same for SolidC UltraPure.

The noise measurements have been carried out with original motor and shroud, approximately at the Best Efficiency Point (BEP) with water at ambient temperature and at 50 Hz.

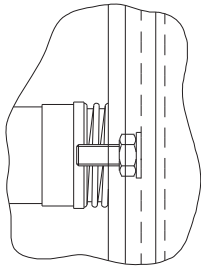
Very often the noise level generated by the flow through the process system (eg. valves, pipes, tanks etc.) is much higher than what is generated by the pump itself. Therefore it is important to consider the noise level from the total system and take the necessary precautions with regards to personal safety if required.

The drawing shows LKH Evap pump.
The items refer to the parts lists in the following sections to

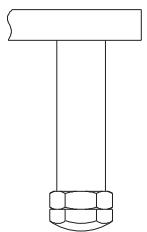
7.1 LKH Evap



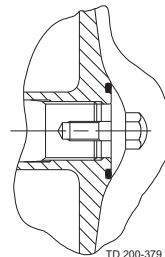
US legs are different to the ones shown. For further information see US Spare Part.
LKH-75: USA version only, no shroud, US leg set



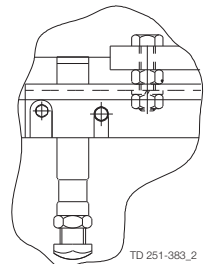
Fitting of back plate



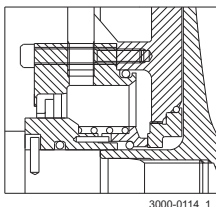
55-75 kW
Fitting of legs



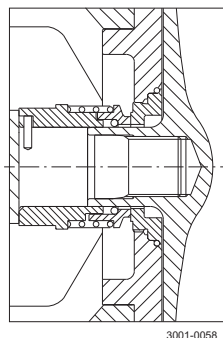
Impeller screw



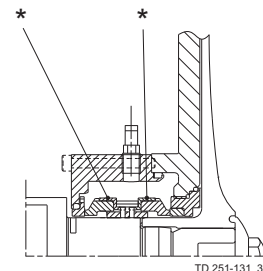
Only used for 3 kW
Fitting of legs



Flushed shaft seal



Single shaft seal



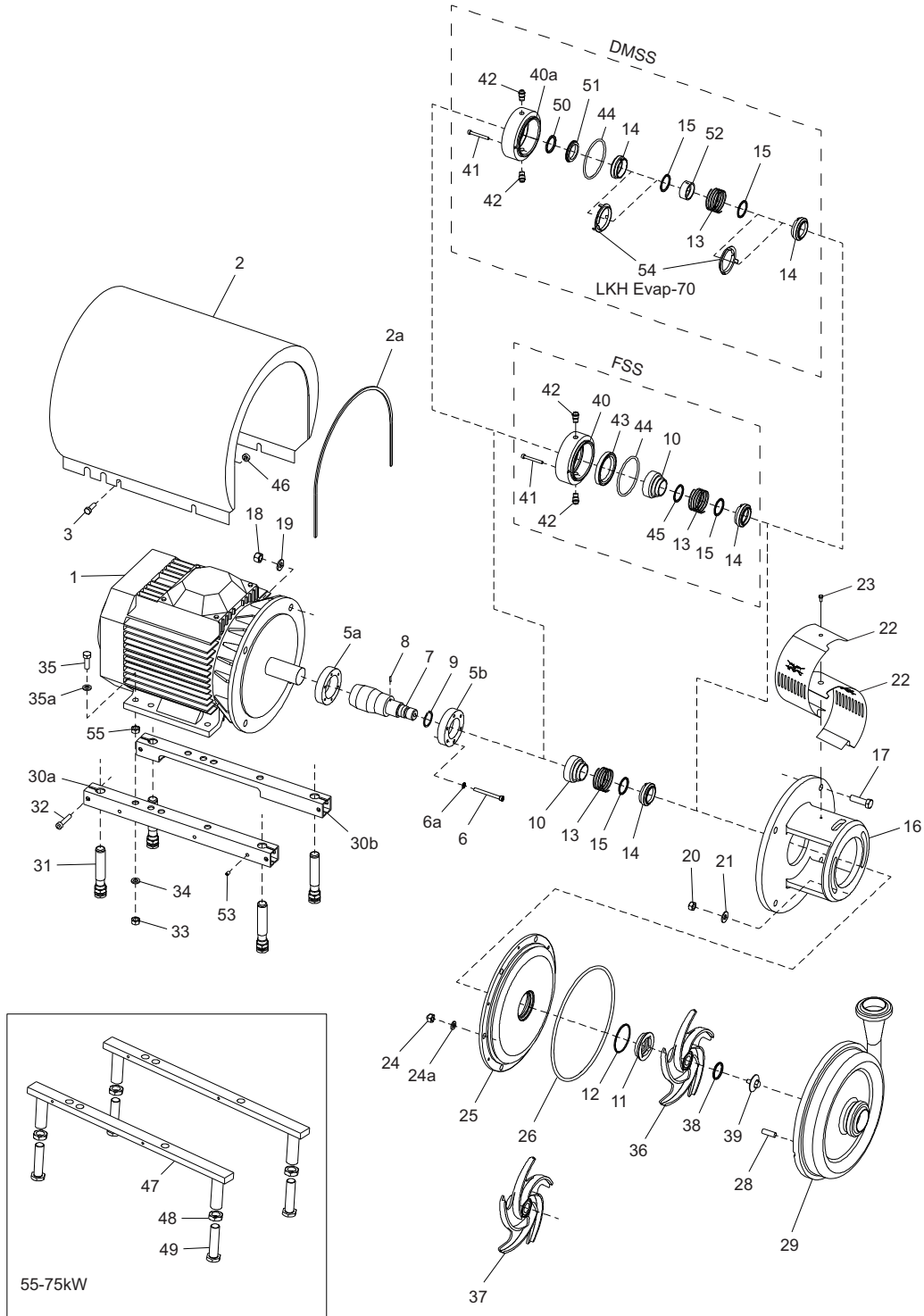
* Double mechanical shaft seal
for LKH-70

7 Parts list and service kits

The drawing shows LKH Evap pump.
The items refer to the parts lists in the following sections to

7.2 LKH Evap - Wet end

DMSS = Double Mechanical Shaft Seal. FSS = Flushed Shaft Seal



7 Parts list and service kits

The drawing shows LKH Evap pump.

The items refer to the parts lists in the following sections to

Parts list

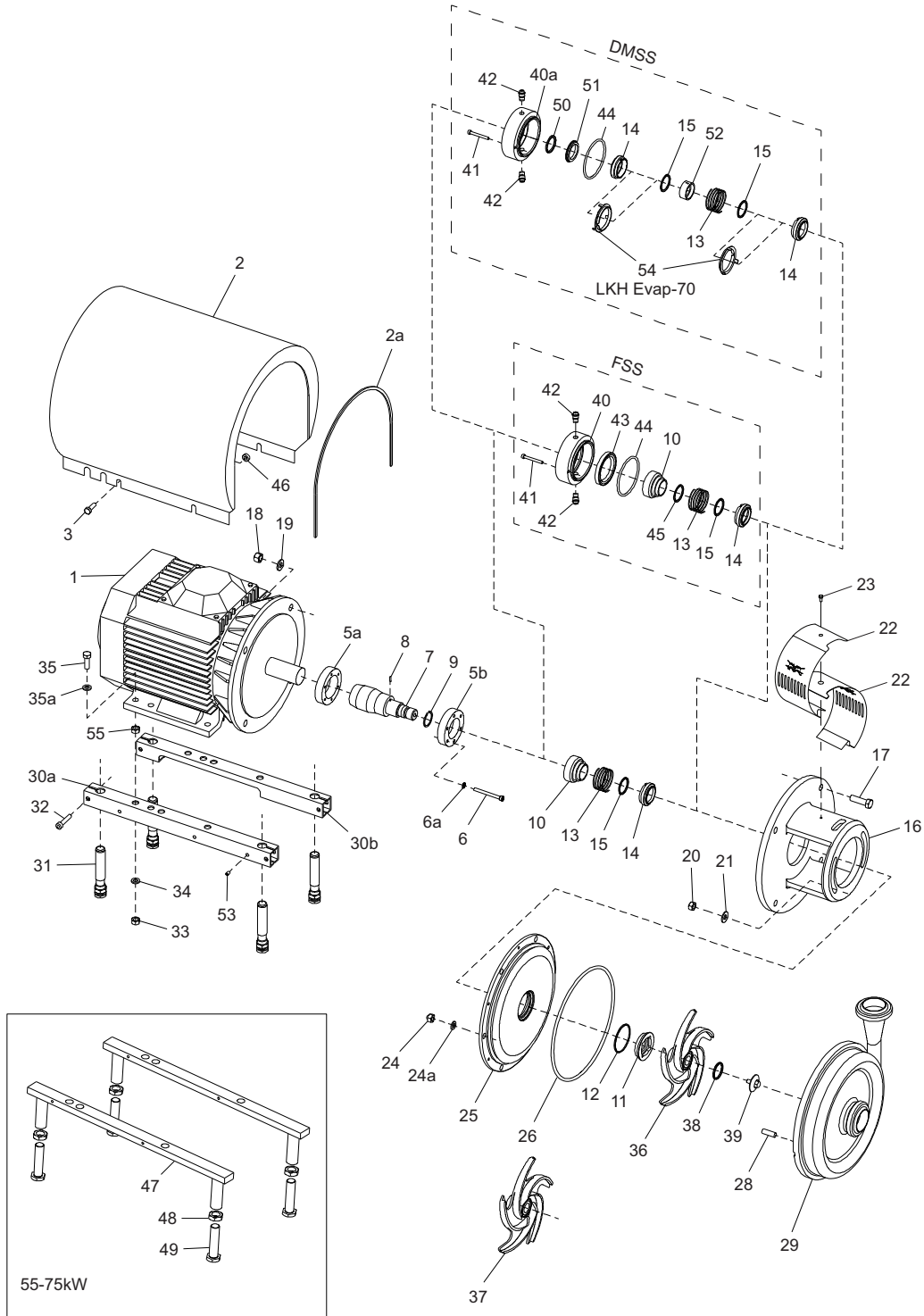
| Pos. | Qty | Denomination |
|-----------|-----|---------------------|
| 20 | 2 | Nut |
| 21 | 2 | Washer |
| 24 | 6 | Cap nut |
| 24a | 6 | Washer |
| 25 | 1 | Back plate |
| 26 □♦○★▲▲ | 1 | O-ring |
| 28 | 6 | Bolt |
| 29 | 1 | Pump casing |
| 36 | 1 | Impeller |
| 37 | 1 | Impeller, ClearFlow |
| 38 □♦○★▲▲ | 1 | O-ring |
| 39 | 1 | Impeller screw |

7 Parts list and service kits

The drawing shows LKH Evap pump.
 The items refer to the parts lists in the following sections to

7.3 LKH Evap - Motor dependent parts

DMSS = Double Mechanical Shaft Seal. FSS = Flushed Shaft Seal



7 Parts list and service kits

The drawing shows LKH Evap pump.

The items refer to the parts lists in the following sections to

Parts list

| Pos. | Qty | Denomination |
|------|-----|---------------------------------|
| 1 | 1 | Motor ABB |
| 2 | 1 | Shroud |
| 2a | 1 | Edge list (Included in pos. 2) |
| 3 | 4 | Screw |
| 5a | 1 | Compression ring with thread |
| 5b | 1 | Compression ring without thread |
| 6 | 6 | Screw |
| 6a | 6 | Washer |
| 7 | 1 | Shaft incl. pin |
| 8 | 1 | Connex pin |
| 9 | 1 | Retaining ring |
| 16 | 1 | Adaptor |
| 17 | 4 | Screw for adaptor |
| 18 | 4 | Nut for adaptor |
| 19 | 4 | Washer for adaptor |
| 22 | 1 | Safety guard set |
| 23 | 1 | Screw for safety guard |
| 30a | 1 | Support bar, right |
| 30b | 1 | Support bar, left |
| 31 | 4 | Leg |
| 32 | 4 | Screw |
| 33 | 4 | Nut |
| 34 | 4 | Spring washer |
| 35 | 4 | Screw |
| 35a | 4 | Washer |
| 46 | 4 | Distance sleeve |
| 47 | 2 | Leg bracket |
| 48 | 4 | Nut for leg |
| 49 | 4 | Screw for leg |
| 53 | 4 | Pivot screw |
| 55 | 4 | Nut |

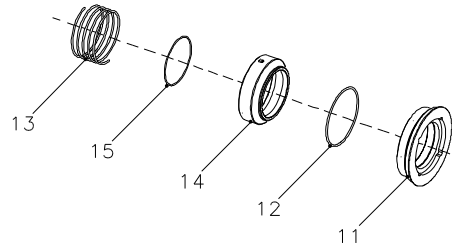
7 Parts list and service kits

The drawing shows LKH Evap pump.

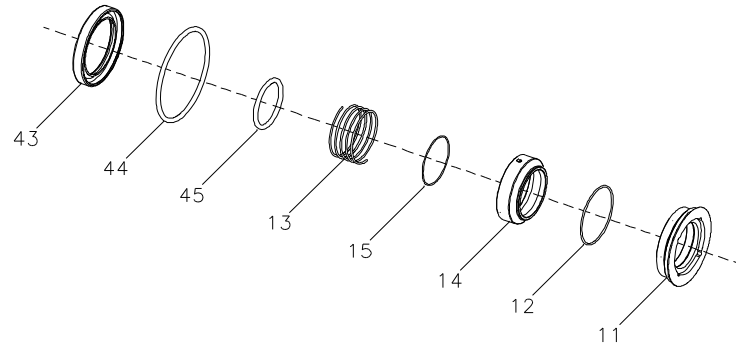
The items refer to the parts lists in the following sections to

7.4 LKH Evap - Shaft seal

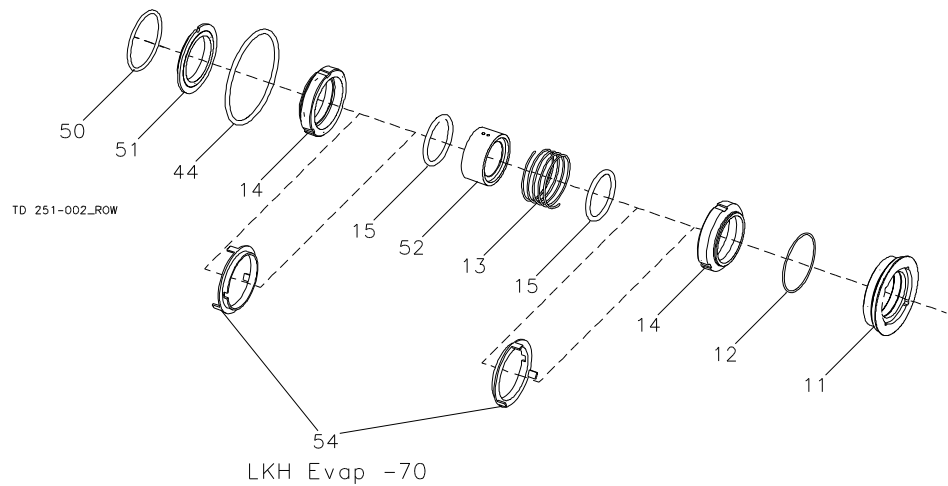
Single Shaft Seal



Flushed Shaft Seal



Double Mechanical Shaft Seal



7 Parts list and service kits

The drawing shows LKH Evap pump.

The items refer to the parts lists in the following sections to

Parts list

| Pos. | Qty | Denomination |
|------|-----|---------------------------|
| □ | | Complete shaft seal |
| ★ | | Complete shaft seal |
| ◆ | | Complete shaft seal |
| △ | | Complete shaft seal |
| ○ | | Complete shaft seal |
| ▲ | | Complete shaft seal |
| 10 | 1 | Drive ring |
| 11 | 1 | Stationary seal ring |
| 12 | 1 | O-ring |
| 13 | 1 | Spring |
| 14 | 1 | Rotating seal ring |
| 15 | 1 | O-ring |
| 40 | 1 | Seal housing |
| 40a | 1 | Seal housing |
| 41 | 2 | Screw for seal housing |
| 42 | 2 | Fittings |
| 43 | 1 | Lip seal |
| 44 | 1 | O-ring for seal housing |
| 45 | 1 | O-ring for drive ring |
| 50 | 1 | O-ring |
| 51 | 1 | Sec. stationary seal ring |
| 52 | 1 | Drive ring |
| 54 | 2 | Cup |

Service kits

| Denomination | EPDM | NBR | FPM | FEP |
|---|------------|------------|------------|------------|
| Service kit for single shaft seal C/SiC | | | | |
| ◆ Service kit, C/SiC (LKH Evap-10/15) | 9611922114 | 9611922115 | 9611922116 | 9611922117 |
| ◆ Service kit, C/SiC (LKH Evap-20) | 9611922122 | 9611922123 | 9611922124 | 9611922125 |
| ◆ Service kit, C/SiC (LKH Evap-25/35/45) | 9611922182 | 9611922183 | 9611922184 | 9611922185 |
| ◆ Service kit, C/SiC (LKH Evap-40/50/60) | 9611922130 | 9611922131 | 9611922132 | 9611922133 |
| ◆ Service kit, C/SiC (LKH Evap-70) | 9611922238 | 9611922239 | 9611922240 | 9611922241 |
| ◆ Service kit, C/SiC (LKH Evap-75) | 9611922976 | 9611922977 | 9611922978 | |
| Service kit for single shaft seal SiC/SiC | | | | |
| ◇ Service kit, SiC/SiC (LKH Evap-10/15) | 9611922550 | 9611922551 | 9611922552 | 9611922553 |
| ◇ Service kit, SiC/SiC (LKH Evap-20) | 9611922574 | 9611922575 | 9611922576 | 9611922577 |
| ◇ Service kit, SiC/SiC (LKH Evap-25/35/45) | 9611922598 | 9611922599 | 9611922600 | 9611922601 |
| ◇ Service kit, SiC/SiC (LKH Evap-40/50/60) | 9611922623 | 9611922624 | 9611922625 | 9611922626 |
| ◇ Service kit, SiC/SiC (LKH Evap-70) | 9611922643 | 9611922644 | 9611922645 | 9611922646 |
| ◇ Service kit, SiC/SiC (LKH Evap-75) | 9611922985 | 9611922986 | 9611922987 | |
| Service kit for flushed shaft seal C/SiC | | | | |
| ★ Service kit, C/SiC (LKH Evap-10/15) | 9611922118 | 9611922119 | 9611922120 | 9611922121 |
| ★ Service kit, C/SiC (LKH Evap-20) | 9611922126 | 9611922127 | 9611922128 | 9611922129 |
| ★ Service kit, C/SiC (LKH Evap-25/35/45) | 9611922190 | 9611922191 | 9611922192 | 9611922193 |
| ★ Service kit, C/SiC (LKH Evap-40/50/60) | 9611922134 | 9611922135 | 9611922136 | 9611922137 |
| ★ Service kit, C/SiC (LKH Evap-70) | 9611922242 | 9611922243 | 9611922244 | 9611922245 |
| ★ Service kit, C/SiC (LKH Evap-75) | 9611922979 | 9611922980 | 9611922981 | |
| Service kit for flushed shaft seal SiC/SiC | | | | |
| ◇ Service kit, SiC/SiC (LKH Evap-10/15) | 9611922558 | 9611922559 | 9611922560 | 9611922561 |
| ◇ Service kit, SiC/SiC (LKH Evap-20) | 9611922582 | 9611922583 | 9611922584 | 9611922585 |

7 Parts list and service kits

The drawing shows LKH Evap pump.

The items refer to the parts lists in the following sections to

| | Denomination | EPDM | NBR | FPM | FEP |
|---|--|------------|------------|------------|------------|
| ⊙ | Service kit, SiC/SiC (LKH Evap-25/35/45) | 9611922606 | 9611922607 | 9611922608 | 9611922609 |
| ⊙ | Service kit, SiC/SiC (LKH Evap-40/50/60) | 9611922631 | 9611922632 | 9611922633 | 9611922634 |
| ⊙ | Service kit, SiC/SiC (LKH Evap-70) | 9611922647 | 9611922648 | 9611922649 | 9611922650 |
| ⊙ | Service kit, SiC/SiC (LKH Evap-75) | 9611922988 | 9611922989 | 9611922990 | |
| Service kit for double mechanical shaft seal C/SiC | | | | | |
| Δ | Service kit, C/SiC (LKH Evap-10/15) | 9611922210 | 9611922211 | 9611922212 | 9611922213 |
| Δ | Service kit, C/SiC (LKH Evap-20) | 9611922218 | 9611922219 | 9611922220 | 9611922221 |
| Δ | Service kit, C/SiC (LKH Evap-25/35/45) | 9611922226 | 9611922227 | 9611922228 | 9611922229 |
| Δ | Service kit, C/SiC (LKH Evap-40/50/60) | 9611922234 | 9611922235 | 9611922236 | 9611922237 |
| Δ | Service kit, C/SiC (LKH Evap-70) | 9611922416 | 9611922417 | 9611922418 | 9611922419 |
| Δ | Service kit, C/SiC (LKH Evap-75) | 9611922982 | 9611922983 | 9611922984 | |
| Service kit for double mechanical shaft seal SiC/SiC | | | | | |
| • | Service kit, SiC/SiC (LKH Evap-10/15) | 9611922566 | 9611922567 | 9611922568 | 9611922569 |
| • | Service kit, SiC/SiC (LKH Evap-20) | 9611922590 | 9611922591 | 9611922592 | 9611922593 |
| • | Service kit, SiC/SiC (LKH Evap-25/35/45) | 9611922614 | 9611922615 | 9611922616 | 9611922617 |
| • | Service kit, SiC/SiC (LKH Evap-40/50/60) | 9611922639 | 9611922640 | 9611922641 | 9611922642 |
| • | Service kit, SiC/SiC (LKH Evap-70) | 9611922651 | 9611922652 | 9611922653 | 9611922654 |
| • | Service kit, SiC/SiC (LKH Evap-75) | 9611922991 | 9611922992 | 9611922993 | |

How to contact Alfa Laval

Contact details for all countries are continually updated on our website.

Please visit www.alfalaval.com to access the information directly.

© Alfa Laval Corporate AB

This document and its contents is owned by Alfa Laval Corporate AB and protected by laws governing intellectual property and thereto related rights. It is the responsibility of the user of this document to comply with all applicable intellectual property laws. Without limiting any rights related to this document, no part of this document may be copied, reproduced or transmitted in any form or by any means (electronic, mechanical, photocopying, recording, or otherwise), or for any purpose, without the expressed permission of Alfa Laval Corporate AB. Alfa Laval Corporate AB will enforce its rights related to this document to the fullest extent of the law, including the seeking of criminal prosecution.