

Pos	Qty	Denomination	DN/OD 51	DN/OD 63.5	#2	#1	DN 125
			DN 50	DN/OD 76.1	DN/OD 101.6	DN/OD 101.6	DN 150
			Seat ø53.3	Seat ø81.3	Seat ø100.3	Seat ø115.3	Seat ø115.3
<b>Spindle liner</b>							
15	1	Plug	9613414101	9613414101	9613414101	9613414101	9613414101
42	1	Spindle liner	9613011601	9613009001	9613009001	9613009001	9613009001
43	2	Clamp	9613011801	9613009201	9613009201	9613009201	9613009201
44	1	Lock	9613011701	9613009101	9613009101	9613009101	9613009101
<b>Extra parts if SpiralClean in vent cavity</b>							
39	2	O-ring, EPDM	9611993492	9611993493	9611993493	9611993493	9611993493
40	1	O-ring, EPDM	9611993119	9611993119	9611993119	9611993119	9611993119
41	1	Flushing tube	3135710172	3135710172	3135710172	3135710172	3135710172
58	1	Spray nozzle, PVDF	9613008801	9613014801	9613014801	9613014801	9613014801
<b>Upper sealing element</b>							
45	1	Guide ring, PTFE	9613008416	9613008417	9613008417	9613008417	9613008417
47	♦	O-ring, EPDM	9611993632	9611993636	9611993640	9611993640	9611993644
	♦	O-ring, NBR	9611993633	9611993637	9611993641	9611993641	9611993645
	♦	O-ring, FPM	9611993634	9611993638	9611993642	9611993642	9611993646
	♦	O-ring, HNBR	9611993635	9611993639	9611993643	9611993643	9611993647
48	1	Upper sealing element	9613014201	9613006401	9613018801	9613018801	9613017001
49	♦	Lip seal, EPDM	9613008501	9613008511	9613008511	9613008511	9613008511
	♦	Lip seal, NBR	9613008502	9613008512	9613008512	9613008512	9613008512
	♦	Lip seal, FPM	9613008503	9613008513	9613008513	9613008513	9613008513
	♦	Lip seal, HNBR	9613008504	9613008514	9613008514	9613008514	9613008514
<b>Upper plug</b>							
54	1	Guide ring, PTFE	9613008401	9613008402	9613008402	9613008402	9613008402
55	1	Upper plug	9613016201	9613008201	9613091401	9613017201	9613017203
56	♦	Seal ring, EPDM	9613095106	9613095109	9613095119	9613095112	9613095112
	♦	Seal ring, NBR	9613095114	9613095115	9613095120	9613095116	9613095116
	♦	Seal ring, FPM	9613095105	9613095108	9613095118	9613095111	9613095111
	♦	Seal ring, HNBR	9613095104	9613095107	9613095117	9613095110	9613095110
57	♦	Lip seal, EPDM	9613008706	9613008711	9613008711	9613008711	9613008711
	♦	Lip seal, NBR	9613008707	9613008712	9613008712	9613008712	9613008712
	♦	Lip seal, FPM	9613008708	9613008713	9613008713	9613008713	9613008713
	♦	Lip seal, HNBR	9613008709	9613008714	9613008714	9613008714	9613008714
<b>Lower plug</b>							
38	♦	O-ring, EPDM	9611993555	9611993572	9611993572	9611993572	9611993572
74	♦	Seal ring, EPDM	9613095206	9613095209	9613095219	9613095212	9613095212
	♦	Seal ring, NBR	9613095214	9613095215	9613095220	9613095216	9613095216
	♦	Seal ring, FPM Alfa Laval recommends EPDM	9613095205	9613095208	9613095218	9613095211	9613095211
	♦	Seal ring, HNBR	9613095204	9613095207	9613095217	9613095210	9613095210
75	1	Lower plug	9613016502	9613009402	9613091102	9613017502	9613017504
<b>Lower sealing element</b>							
70	2	Flushing tube	9613007902	9613007903	9613007904	9613007904	9613007905
71	2	O-ring, EPDM	9611993119	9611993119	9611993119	9611993119	9611993119
72	1	Drain	9613008001	9613008001	9613008001	9613008001	9613008001
73	1	Nozzle	9613008002	9613008002	9613008002	9613008002	9613008002
76	♦	O-ring, EPDM	9611993632	9611993636	9611993640	9611993640	9611993644
	♦	O-ring, NBR	9611993633	9611993637	9611993641	9611993641	9611993645
	♦	O-ring, FPM	9611993634	9611993638	9611993642	9611993642	9611993646
	♦	O-ring, HNBR	9611993635	9611993639	9611993643	9611993643	9611993647
77	♦	Lip seal, EPDM	9613008521	9613008526	9613008548	9613008531	9613008531
	♦	Lip seal, NBR	9613008522	9613008527	9613008549	9613008532	9613008532
	♦	Lip seal, FPM	9613008523	9613008528	9613008550	9613008533	9613008533
	♦	Lip seal, HNBR	9613008524	9613008529	9613008551	9613008534	9613008534
78	♦	O-ring, EPDM	9611993650	9611993651	9611994407	9611993652	9611993652
79	1	Lower sealing element	9613049501	9613049601	9613066101	9613049701	9613049801
80	1	Guide ring, PTFE	9613008413	9613008414	9613008420	9613008415	9613008415
81	1	Cover	9613049005	9613049006	9613049015	9613049007	9613049007
<b>Extra parts if clamped valve body</b>							
52	1	O-ring, EPDM	9611993632	9611993636	9611993640	9611993640	9611993644
	1	O-ring, NBR	9611993633	9611993637	9611993641	9611993641	9611993645
	1	O-ring, FPM	9611993634	9611993638	9611993642	9611993642	9611993646
	1	O-ring, HNBR	9611993635	9611993639	9611993643	9611993643	9611993647

1.8

Pos. 37, see section  
See note below service kits.

Pos	Qty	Denomination	1½"	2"	2½"	3"	4"	6"
<b>Lower plug</b>								
38	♦	1 O-ring, EPDM . . . . .	9611993555	9611993555	9611993572	9611993572	9611993572	9611993572
74	♦	1 Seal ring, EPDM . . . . .	9613095206	9613095206	9613095209	9613095209	9613095219	9613095212
	♦	1 Seal ring, NBR . . . . .	9613095214	9613095214	9613095215	9613095215	9613095220	9613095216
	♦	1 Seal ring, FPM - Alfa Laval recommends EPDM . . . . .	9613095205	9613095205	9613095208	9613095208	9613095218	9613095211
	♦	1 Seal ring, HNBR . . . . .	9613095204	9613095204	9613095207	9613095207	9613095217	9613095210
75	♦	1 Lower plug . . . . .	9614202902	9614202938	9614201602	9614201602	9614217822	9614284802
<b>Lower sealing element</b>								
70		2 Flushing tube . . . . .	9614205801	9614205802	9614205803	9614205803	9614205804	9614205805
71	♦	2 O-ring, EPDM . . . . .	9611995523	9611995523	9611995523	9611995523	9611995523	9611995523
72		1 Drain . . . . .	9614205701	9614205701	9614205701	9614205701	9614205701	9614205701
73		1 Nozzle . . . . .	9614205601	9614205601	9614205601	9614205601	9614205601	9614205601
145	♦	2 O-ring, EPDM . . . . .	9611995522	9611995522	9611995522	9611995522	9611995522	9611995522
76	♦	1 O-ring, EPDM . . . . .	9611993628	9611993632	9611993636	9611993636	9611993640	9611993644
	♦	1 O-ring, NBR . . . . .	9611993629	9611993633	9611993637	9611993637	9611993641	9611993645
	♦	1 O-ring, FPM . . . . .	9611993630	9611993634	9611993638	9611993638	9611993642	9611993646
	♦	1 O-ring, HNBR . . . . .	9611993631	9611993635	9611993639	9611993639	9611993643	9611993647
77	♦	1 Lip seal, EPDM . . . . .	9613008516	9613008521	9613008526	9613008526	9613008548	9613008531
	♦	1 Lip seal, NBR . . . . .	9613008544	9613008545	9613008546	9613008546	9613008553	9613008547
	♦	1 Lip seal, FPM . . . . .	9613008518	9613008523	9613008528	9613008528	9613008550	9613008533
	♦	1 Lip seal, HNBR . . . . .	9613008519	9613008524	9613008529	9613008529	9613008551	9613008534
78	♦	1 O-ring, EPDM . . . . .	9611993655	9611993650	9611993651	9611993651	9611994407	9611993652
79		1 Lower sealing element, (blasted/Ra1.6) . . . . .	9614220501	9614220701	9614220801	9614220801	9614220901	9614221001
		1 Lower sealing element, (polished/Ra0.8) . . . . .	9614220502	9614220702	9614220802	9614220802	9614220902	9614221002
80		1 Guide ring, PTFE . . . . .	9613008412	9613008413	9613008414	9613008414	9613008420	9613008415
81		1 Cover . . . . .	9613049001	9613049005	9613049006	9613049006	9613049015	9613049007
<b>Extra parts if clamped valve body</b>								
52		1 O-ring, EPDM . . . . .	9611993628	9611993632	9611993636	9611993636	9611993640	9611993644
		1 O-ring, NBR . . . . .	9611993629	9611993633	9611993637	9611993637	9611993641	9611993645
		1 O-ring, FPM . . . . .	9611993630	9611993634	9611993638	9611993638	9611993642	9611993646
		1 O-ring, HNBR . . . . .	9611993631	9611993635	9611993639	9611993639	9611993643	9611993647

1.8

**NOTE!**

If clamped valve body an extra O-ring (pos. 52) is required.  
 If SpiralClean in leakage chamber, extra O-rings (2x pos. 39 and 1x pos. 40) is required.  
 Δ Sensor service kit for valves delivered prior to October 2015 - 9611928351  
 Spare parts for mix size please refer to configurator in Alfa Laval Anytime

**NOTE!**

All FPM service kits are supplied with EPDM seal ring, pos. 74.

**Service kits**

		1½"	2"	2½"	3"	4"	6"
		Seat ø53.3	Seat ø53.3	Seat ø81.3	Seat ø81.3	Seat ø100.3	Seat ø115.3
♦	Service kit, EPDM . . . . .	9611928017	9611928021	9611928025	9611928025	9611928029	9611928033
♦	Service kit, NBR . . . . .	9611928018	9611928022	9611928026	9611928026	9611928030	9611928034
♦	Service kit, FPM . . . . .	9611928019	9611928023	9611928027	9611928027	9611928031	9611928035
♦	Service kit, HNBR . . . . .	9611928020	9611928024	9611928028	9611928028	9611928032	9611928036

For mixed size housings, the service kit is determined by the smallest size connection on the valve.

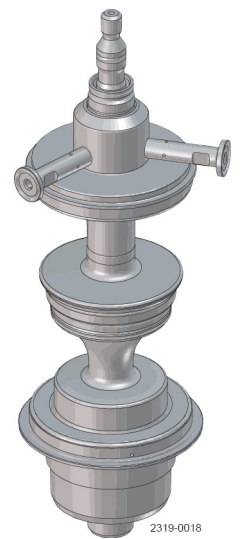
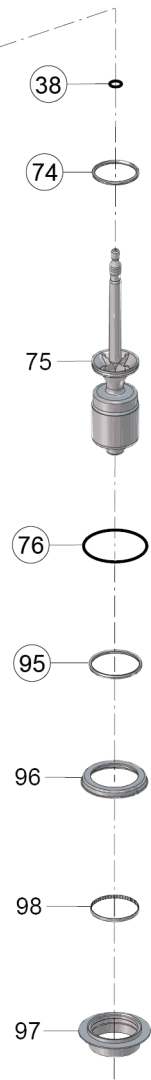
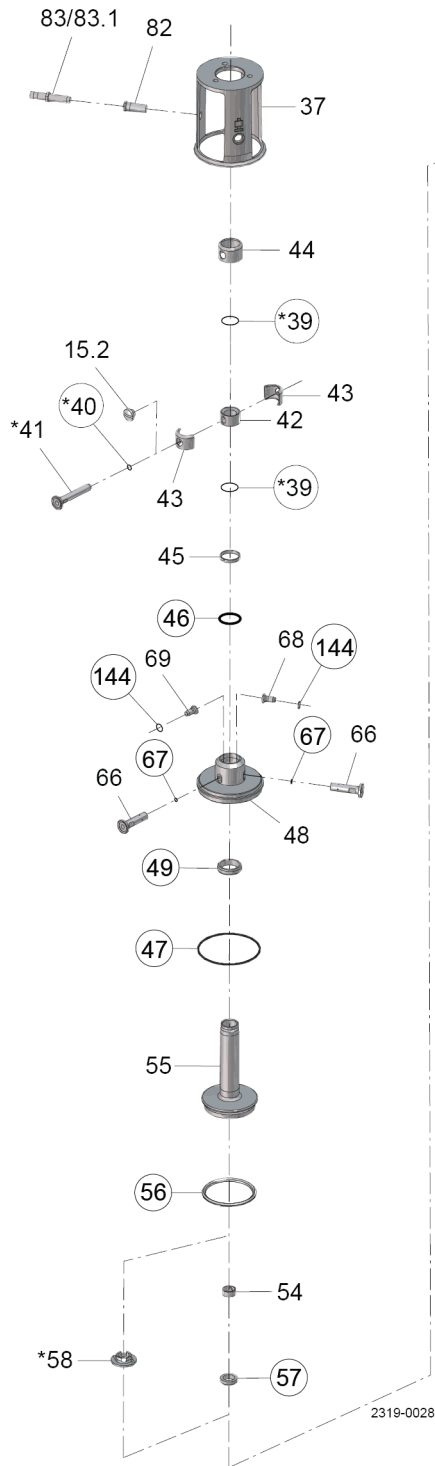
One exception is any housing with 6" connections will always refer to the 6" service kits listed below:

♦	Service kit, EPDM . . . . .	9611928137	9611928141	9611928145	9611928145	9611928149
♦	Service kit, NBR . . . . .	9611928138	9611928142	9611928146	9611928146	9611928150
♦	Service kit, FPM . . . . .	9611928139	9611928143	9611928147	9611928147	9611928151
♦	Service kit, HNBR . . . . .	9611928140	9611928144	9611928148	9611928148	9611928152

**NOTE!**

All FPM service kits are supplied with EPDM seal ring, pos. 74.

1.8



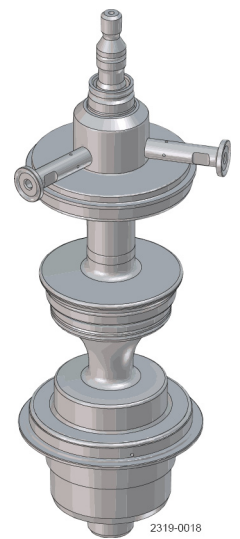
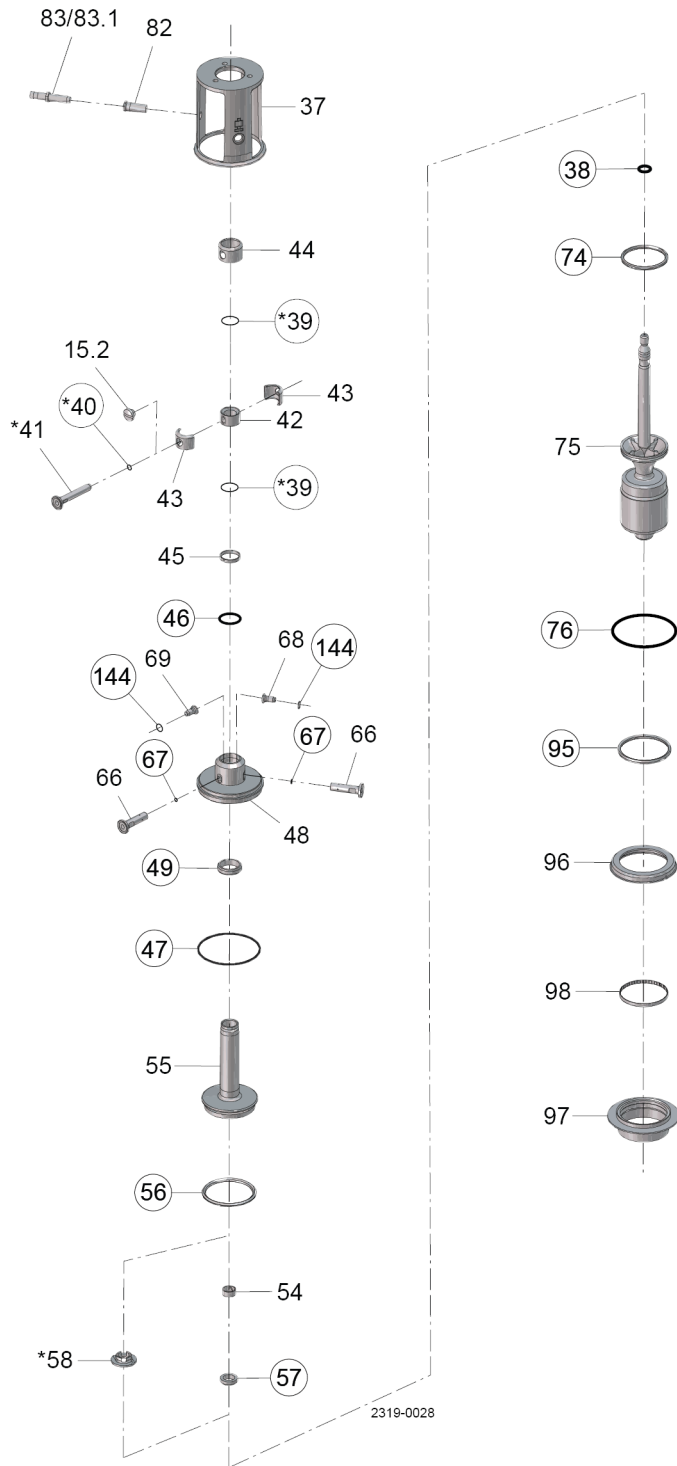
○ = wear parts

★ = with SpiralClean in leakage chamber

Pos	Qty	Denomination	2"	2½"	3"	4"	6"
<b>Intermediate parts</b>							
37	1	Intermediate piece	9614255902	9614256302	9614256304	9614256702	9614257102
82	1	Bolt for indication	9614257508	9614257508	9614257508	9614257508	9614257508
83	1	Sensor for indication	9611995199	9611995199	9611995199	9611995199	9611995199
83.1	1	Cable for sensor for indication	9611994915	9611994915	9611994915	9611994915	9611994915
<b>Spindle liner</b>							
15.2	1	Plug	9615331901	9615331901	9615331901	9615331901	9615331901
42	1	Spindle liner	9614221101	9614205301	9614205301	9614205301	9614205301
43	2	Clamp	9613011801	9613009201	9613009201	9613009201	9613009201
44	1	Lock	9613011701	9613009101	9613009101	9613009101	9613009101
<b>Extra parts if SpiralClean in leakage chamber</b>							
39	2	O-ring, EPDM	9611993492	9611993493	9611993493	9611993493	9611993493
40	1	O-ring, EPDM	9611995521	9611995521	9611995521	9611995521	9611995521
41	1	Flushing tube	9613205401	9613205401	9613205401	9613205401	9613205401
58	1	Spray nozzle, PVDF	9613221301	9614221201	9614221201	9614221201	9614221201
<b>Upper sealing element</b>							
45	1	Guide ring, PTFE	9613008416	9613008417	9613008417	9613008417	9613008417
46	♦	O-ring, EPDM	9611993653	9611993654	9611993654	9611993654	9611993654
47	♦	O-ring, EPDM	9611993632	9611993636	9611993636	9611993640	9611993644
	♦	O-ring, NBR	9611993633	9611993637	9611993637	9611993641	9611993645
	♦	O-ring, FPM	9611993634	9611993638	9611993638	9611993642	9611993646
	♦	O-ring, HNBR	9611993635	9611993639	9611993639	9611993643	9611993647
48	1	Upper sealing element, (blasted/Ra1.6)	9614220201	9614220301	9614220301	9614220401	9614220601
	1	Upper sealing element, (polished/Ra0.8)	9614220202	9614220302	9614220302	9614220402	9614220602
49	♦	Lip seal, EPDM	9613008501	9613008511	9613008511	9613008511	9613008511
	♦	Lip seal, NBR	9613008541	9613008543	9613008543	9613008543	9613008543
	♦	Lip seal, FPM	9613008503	9613008513	9613008513	9613008513	9613008513
	♦	Lip seal, HNBR	9613008504	9613008514	9613008514	9613008514	9613008514
66	2	Flushing tube	9614205802	9614205803	9614205803	9614205804	9614205805
67	♦	O-ring, EPDM	9611995523	9611995523	9611995523	9611995523	9611995523
68	1	Drain	9614205701	9614205701	9614205701	9614205701	9614205701
69	1	Nozzle	9614205601	9614205601	9614205601	9614205601	9614205601
144	♦	O-ring, EPDM	9611995522	9611995522	9611995522	9611995522	9611995522
<b>Upper plug</b>							
54	1	Guide ring, PTFE	9613008401	9613008402	9613008402	9613008402	9613008402
55	1	Upper plug	9614233102	9614234002	9614234002	9614234502	9614235002
56	♦	Seal ring, EPDM	9613095106	9613095109	9613095109	9613095119	9613095112
	♦	Seal ring, NBR	9613095114	9613095115	9613095115	9613095120	9613095116
	♦	Seal ring, FPM	9613095105	9613095108	9613095108	9613095118	9613095111
	♦	Seal ring, HNBR	9613095104	9613095107	9613095107	9613095117	9613095110
57	♦	Lip seal, EPDM	9613008706	9613008711	9613008711	9613008711	9613008711
	♦	Lip seal, NBR	9613008717	9613008718	9613008718	9613008718	9613008718
	♦	Lip seal, FPM	9613008708	9613008713	9613008713	9613008713	9613008713
	♦	Lip seal, HNBR	9613008709	9613008714	9613008714	9613008714	9613008714

1.8

1.8



○ = wear parts

★ = with SpiralClean in leakage chamber

Pos	Qty	Denomination	2"	2½"	3"	4"	6"
<b>Lower plug</b>							
38	♦	1 O-ring, EPDM	9611993555	9611993572	9611993572	9611993572	9611993572
74	♦	1 Seal ring, EPDM	9613095206	9613095209	9613095209	9613095219	9613095212
	♦	1 Seal ring, NBR	9613095214	9613095215	9613095215	9613095220	9613095216
	♦	1 Seal ring, FPM - Alfa Laval recommends					
	♦	1 EPDM	9613095205	9613095208	9613095208	9613095218	9613095211
	♦	1 Seal ring, HNBR	9613095204	9613095207	9613095207	9613095217	9613095210
75	♦	1 Lower plug	9614204822	9614201622	9614201634	9614217802	9614284808
<b>Lower sealing element</b>							
76	♦	1 O-ring, EPDM	9611993632	9611993636	9611993636	9611993640	9611993644
	♦	1 O-ring, NBR	9611993633	9611993637	9611993637	9611993641	9611993645
	♦	1 O-ring, FPM	9611993634	9611993638	9611993638	9611993642	9611993646
	♦	1 O-ring, HNBR	9611993635	9611993639	9611993639	9611993643	9611993647
95	♦	1 Special lip seal, EPDM	9613464215	9613464203	9613464203	9613464219	9613464207
	♦	1 Special lip seal, NBR	9613464216	9613464204	9613464204	9613464220	9613464208
	♦	1 Special lip seal, HNBR	9613464213	9613464201	9613464201	9613464217	9613464205
	♦	1 Special lip seal, FPM	9613464214	9613464202	9613464202	9613464218	9613464206
96	♦	1 Lower sealing element, upper part	9613475801	9613465201	9613465201	9613476001	9613465401
97	♦	1 Lower sealing element, lower part	9613475901	9613465301	9613465301	9613476101	9613465501
98	♦	1 Guide ring, Turcite	9613466104	9613466101	9613466101	9613466105	9613466102
<b>Extra parts if clamped valve body</b>							
52	♦	1 O-ring, EPDM	9611993632	9611993636	9611993636	9611993640	9611993644
	♦	1 O-ring, NBR	9611993633	9611993637	9611993637	9611993641	9611993645
	♦	1 O-ring, FPM	9611993634	9611993638	9611993638	9611993642	9611993646
	♦	1 O-ring, HNBR	9611993635	9611993639	9611993639	9611993643	9611993647

1.8

**NOTE!**

If clamped valve body an extra O-ring (pos. 52) is required.  
 If SpiralClean in leakage chamber, extra O-rings (2x pos. 39 and 1x pos. 40) is required.  
 Spare parts for mix size please refer to configurator in Alfa Laval Anytime

**NOTE!**

All FPM service kits are supplied with EPDM seal ring, pos. 74.

**Service kits**

		2"	2½"	3"	4"	6"
		Seat ø53.3	Seat ø81.3	Seat ø81.3	Seat ø100.3	Seat ø115.3
♦	Service kit, EPDM	9611928221	9611928225	9611928225	9611928229	9611928233
♦	Service kit, NBR	9611928222	9611928226	9611928226	9611928230	9611928234
♦	Service kit, FPM	9611928223	9611928227	9611928227	9611928231	9611928235
♦	Service kit, HNBR	9611928224	9611928228	9611928228	9611928232	9611928236

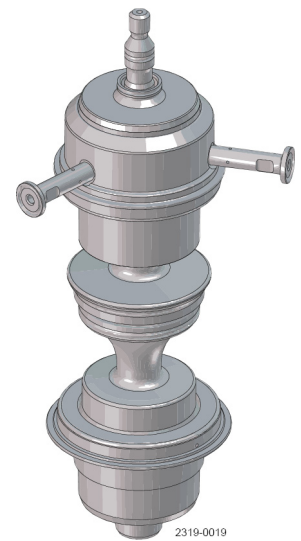
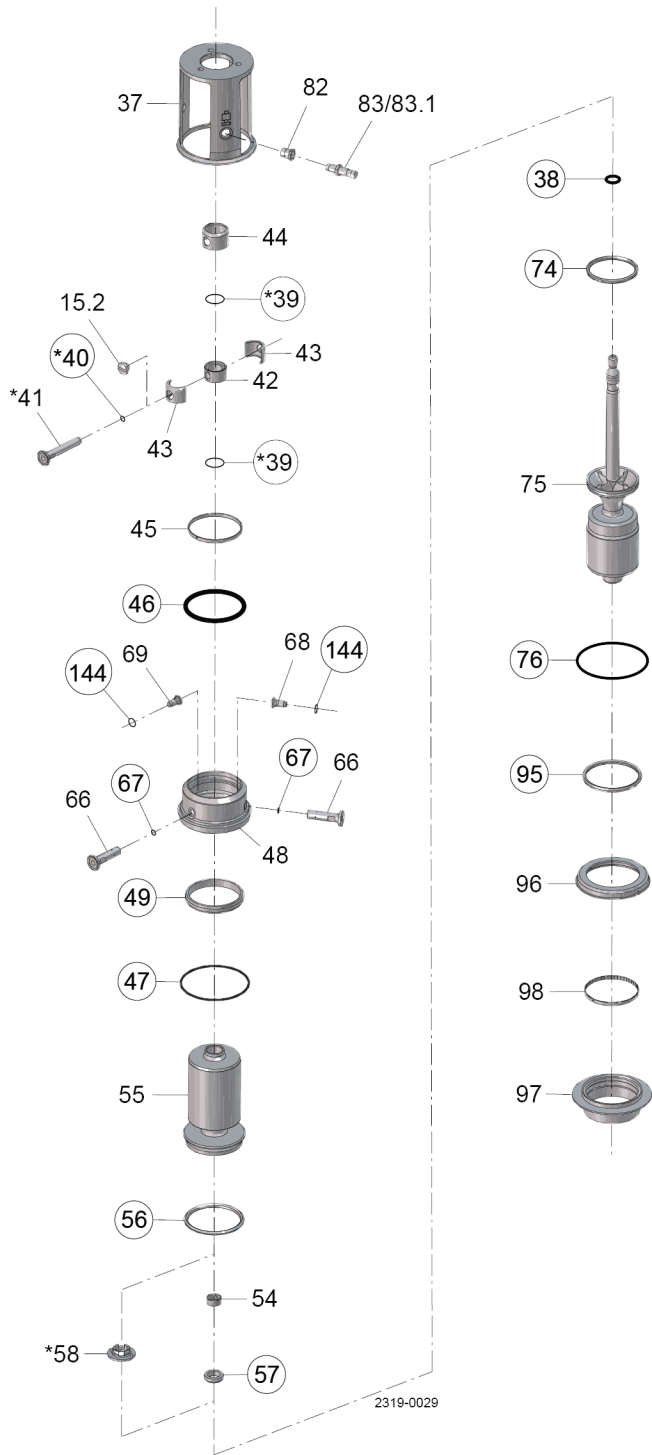
For mixed size housings, the service kit is determined by the smallest size connection on the valve.  
 One exception is any housing with 6" connections will always refer to the 6" service kits listed below:

♦	Service kit, EPDM	9611928293	9611928297	9611928297	9611928301	
♦	Service kit, NBR	9611928294	9611928298	9611928298	9611928302	
♦	Service kit, FPM	9611928295	9611928299	9611928299	9611928303	
♦	Service kit, HNBR	9611928296	9611928300	9611928300	9611928304	

**NOTE!**

All FPM service kits are supplied with EPDM seal ring, pos. 74.

1.8



○ = wear parts

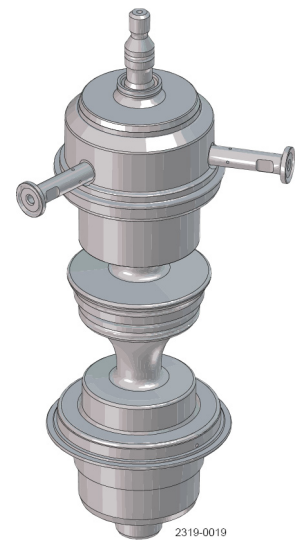
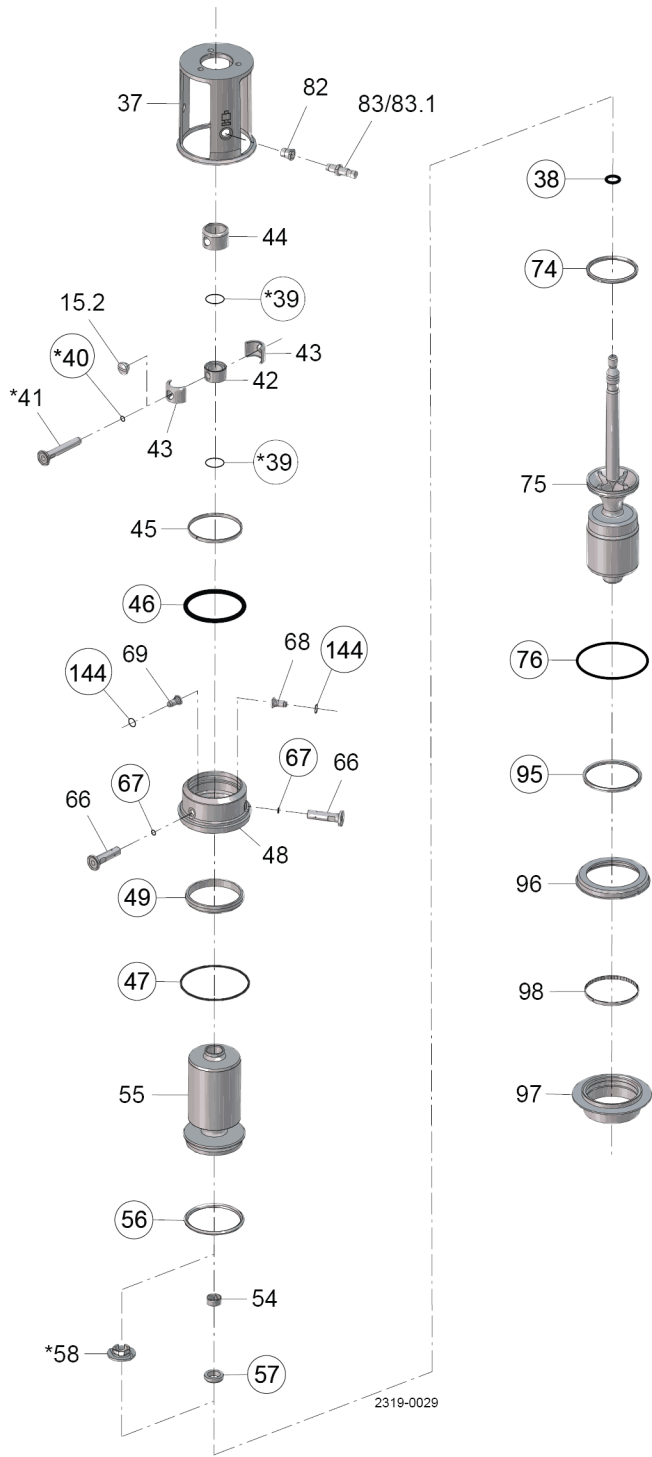
★ = with SpiralClean in leakage chamber

Pos	Qty	Denomination	1½"	2"	2½"	3"	4"	6"
<b>Intermediate parts</b>								
37	1	Intermediate piece . . . . .	9614255502	9614255902	9614256302	9614256304	9614256702	9614257102
82 Δ	1	Bolt for indication . . . . .	9614257508	9614257508	9614257508	9614257508	9614257508	9614257508
83 Δ	1	Sensor for indication . . . . .	9611995770	9611995770	9611995770	9611995770	9611995770	9611995770
83.1	1	Cable for sensor for indication . . . . .	9611994915	9611994915	9611994915	9611994915	9611994915	9611994915
<b>Spindle liner</b>								
15.2	1	Plug . . . . .	9615331901	9615331901	9615331901	9615331901	9615331901	9615331901
42	1	Spindle liner . . . . .	9614221101	9614221101	9614205301	9614205301	9614205301	9614205301
43	2	Clamp . . . . .	9613011801	9613011801	9613009201	9613009201	9613009201	9613009201
44	1	Lock . . . . .	9613011701	9613011701	9613009101	9613009101	9613009101	9613009101
<b>Extra parts if SpiralClean in leakage chamber</b>								
39	2	O-ring, EPDM . . . . .	9611993492	9611993492	9611993493	9611993493	9611993493	9611993493
40	1	O-ring, EPDM . . . . .	9611995521	9611995521	9611995521	9611995521	9611995521	9611995521
41	1	Flushing tube . . . . .	9613205401	9613205401	9613205401	9613205401	9613205401	9613205401
58	1	Spray nozzle, PVDF . . . . .	9613221301	9613221301	9614221201	9614221201	9614221201	9614221201
<b>Upper sealing element</b>								
45	1	Guide ring, PTFE . . . . .	9613008412	9613008413	9613008414	9613008414	9613008420	9613008415
46 ♦	1	O-ring, EPDM . . . . .	9611993655	9611993653	9611993654	9611993654	9611993654	9611993654
47 ♦	1	O-ring, EPDM . . . . .	9611993628	9611993632	9611993636	9611993636	9611993640	9611993644
♦	1	O-ring, NBR . . . . .	9611993629	9611993633	9611993637	9611993637	9611993641	9611993645
♦	1	O-ring, FPM . . . . .	9611993630	9611993634	9611993638	9611993638	9611993642	9611993646
♦	1	O-ring, HNBR . . . . .	9611993631	9611993635	9611993639	9611993639	9611993643	9611993647
48	1	Upper sealing element, (blasted/Ra1.6) . . . . .	9614220101	9614219801	9614205901	9614205901	9614219901	9614220001
	1	Upper sealing element, (polished/Ra0.8) . . . . .	9614220102	9614219802	9614205902	9614205902	9614219902	9614220002
49 ♦	1	Lip seal, EPDM . . . . .	9613008516	9613008521	9613008526	9613008526	9613008548	9613008531
♦	1	Lip seal, NBR . . . . .	9613008544	9613008545	9613008546	9613008546	9613008553	9613008547
♦	1	Lip seal, FPM . . . . .	9613008518	9613008523	9613008528	9613008528	9613008550	9613008533
♦	1	Lip seal, HNBR . . . . .	9613008519	9613008524	9613008529	9613008529	9613008551	9613008534
66	2	Flushing tube . . . . .	9614205801	9614205802	9614205803	9614205803	9614205804	9614205805
67 ♦	2	O-ring, EPDM . . . . .	9611995523	9611995523	9611995523	9611995523	9611995523	9611995523
68	1	Drain . . . . .	9614205701	9614205701	9614205701	9614205701	9614205701	9614205701
69	1	Nozzle . . . . .	9614205601	9614205601	9614205601	9614205601	9614205601	9614205601
144 ♦	2	O-ring, EPDM . . . . .	9611995522	9611995522	9611995522	9611995522	9611995522	9611995522
<b>Upper plug</b>								
54	1	Guide ring, PTFE . . . . .	9613008401	9613008401	9613008402	9613008402	9613008402	9613008402
55	1	Upper plug . . . . .	9614232502	9614233110	9614234008	9614234008	9614234506	9614235004
56 ♦	1	Seal ring, EPDM . . . . .	9613095106	9613095106	9613095109	9613095109	9613095119	9613095112
♦	1	Seal ring, NBR . . . . .	9613095114	9613095114	9613095115	9613095115	9613095120	9613095116
♦	1	Seal ring, FPM . . . . .	9613095105	9613095105	9613095108	9613095108	9613095118	9613095111
♦	1	Seal ring, HNBR . . . . .	9613095104	9613095104	9613095107	9613095107	9613095117	9613095110
57 ♦	1	Lip seal, EPDM . . . . .	9613008706	9613008706	9613008711	9613008711	9613008711	9613008711
♦	1	Lip seal, NBR . . . . .	9613008717	9613008717	9613008718	9613008718	9613008718	9613008718
♦	1	Lip seal, FPM . . . . .	9613008708	9613008708	9613008713	9613008713	9613008713	9613008713
♦	1	Lip seal, HNBR . . . . .	9613008709	9613008709	9613008714	9613008714	9613008714	9613008714

1.8



1.8



○ = wear parts

★ = with SpiralClean in leakage chamber

Pos	Qty	Denomination	1½"	2"	2½"	3"	4"	6"
<b>Lower plug</b>								
38	♦	1 O-ring, EPDM . . . . .	9611993555	9611993555	9611993572	9611993572	9611993572	9611993572
74	♦	1 Seal ring, EPDM . . . . .	9613095206	9613095206	9613095209	9613095209	9613095219	9613095212
	♦	1 Seal ring, NBR . . . . .	9613095214	9613095214	9613095215	9613095215	9613095220	9613095216
	♦	1 Seal ring, FPM - Alfa Laval recommends EPDM . . . . .	9613095205	9613095205	9613095208	9613095208	9613095218	9613095211
	♦	1 Seal ring, HNBR . . . . .	9613095204	9613095204	9613095207	9613095207	9613095217	9613095210
75	1	Lower plug . . . . .	9614202966	9614204822	9614201622	9614201634	9614217802	9614284808
<b>Lower sealing element</b>								
76	♦	1 O-ring, EPDM . . . . .	9611993628	9611993632	9611993636	9611993636	9611993640	9611993644
	♦	1 O-ring, NBR . . . . .	9611993629	9611993633	9611993637	9611993637	9611993641	9611993645
	♦	1 O-ring, FPM . . . . .	9611993630	9611993634	9611993638	9611993638	9611993642	9611993646
	♦	1 O-ring, HNBR . . . . .	9611993631	9611993635	9611993639	9611993639	9611993643	9611993647
95	♦	1 Special lip seal, EPDM . . . . .	9613464259	9613464215	9613464203	9613464203	9613464219	9613464207
	♦	1 Special lip seal, NBR . . . . .	9613464260	9613464216	9613464204	9613464204	9613464220	9613464208
	♦	1 Special lip seal, HNBR . . . . .	9613464257	9613464213	9613464201	9613464201	9613464217	9613464205
	♦	1 Special lip seal, FPM . . . . .	9613464258	9613464214	9613464202	9613464202	9613464218	9613464206
96	1	Lower sealing element, upper part . . . . .	9614257701	9613475801	9613465201	9613465201	9613476001	9613465401
97	1	Lower sealing element, lower part . . . . .	9614257801	9613475901	9613465301	9613465301	9613476101	9613465501
98	1	Guide ring, Turcite . . . . .	9613466111	9613466104	9613466101	9613466101	9613466105	9613466102
<b>Extra parts if clamped valve body</b>								
52	1	O-ring, EPDM . . . . .	9611993628	9611993632	9611993636	9611993636	9611993640	9611993644
	1	O-ring, NBR . . . . .	9611993629	9611993633	9611993637	9611993637	9611993641	9611993645
	1	O-ring, FPM . . . . .	9611993630	9611993634	9611993638	9611993638	9611993642	9611993646
	1	O-ring, HNBR . . . . .	9611993631	9611993635	9611993639	9611993639	9611993643	9611993647

NOTE!  
 If clamped valve body an extra O-ring (pos. 52) is required.  
 If SpiralClean in leakage chamber extra O-rings (2x pos. 39 and 1x pos. 40) is required.  
 Δ Sensor service kit for valves delivered prior to October 2015 - 9611928351  
 Spare parts for mix size please refer to configurator in Alfa Laval Anytime

NOTE!  
 All FPM service kits are supplied with EPDM seal ring, pos. 74.

**Service kits**

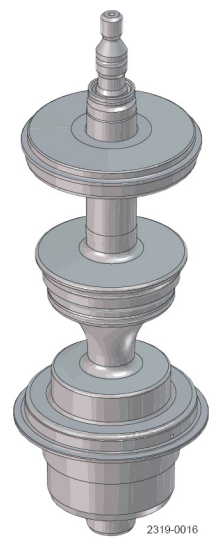
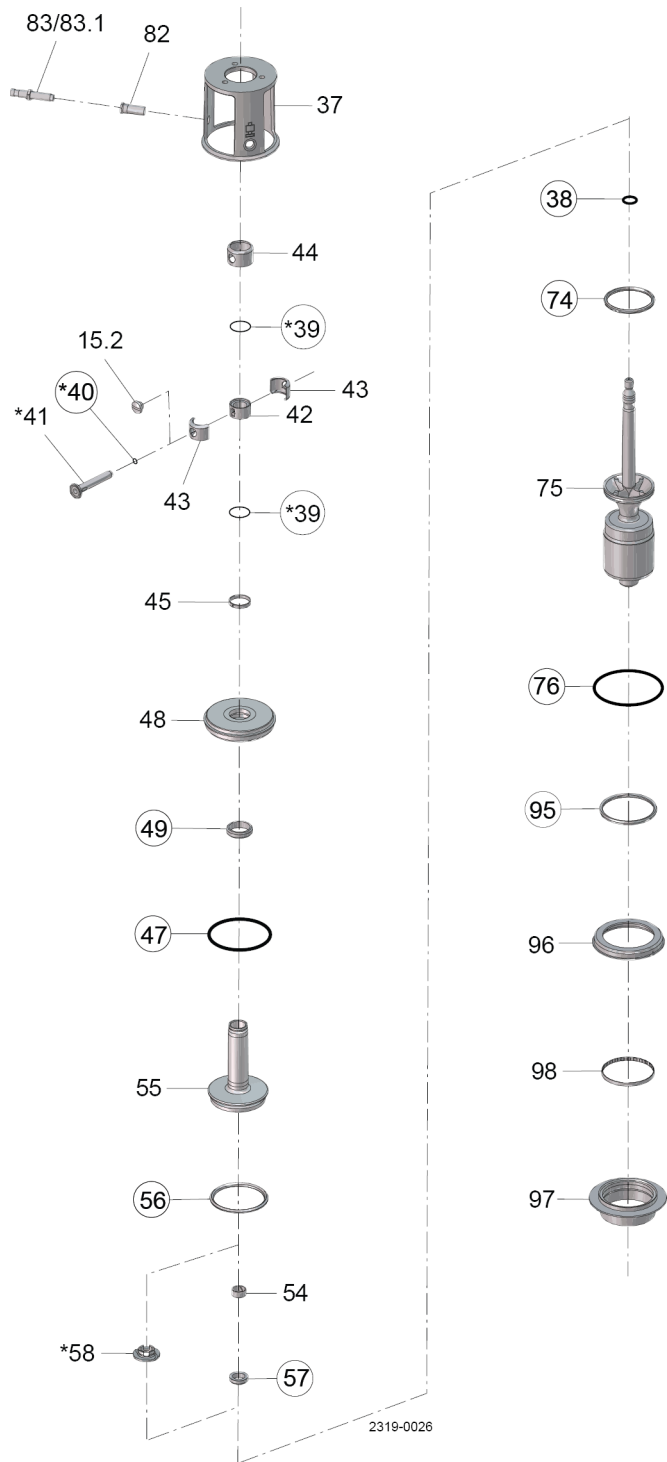
		1½"	2"	2½"	3"	4"	6"
		Seat ø53.3	Seat ø53.3	Seat ø81.3	Seat ø81.3	Seat ø100.3	Seat ø115.3
♦	Service kit, EPDM . . . . .	9611928237	9611928241	9611928245	9611928245	9611928249	9611928253
♦	Service kit, NBR . . . . .	9611928238	9611928242	9611928246	9611928246	9611928250	9611928254
♦	Service kit, FPM . . . . .	9611928239	9611928243	9611928247	9611928247	9611928251	9611928255
♦	Service kit, HNBR . . . . .	9611928240	9611928244	9611928248	9611928248	9611928252	9611928256

For mixed size housings, the service kit is determined by the smallest size connection on the valve.  
 One exception is any housing with 6" connections will always refer to the 6" service kits listed below:

♦	Service kit, EPDM . . . . .	9611928305	9611928309	9611928313	9611928313	9611928317
♦	Service kit, NBR . . . . .	9611928306	9611928310	9611928314	9611928314	9611928318
♦	Service kit, FPM . . . . .	9611928307	9611928311	9611928315	9611928315	9611928319
♦	Service kit, HNBR . . . . .	9611928308	9611928312	9611928316	9611928316	9611928320

NOTE!  
 All FPM service kits are supplied with EPDM seal ring, pos. 74.

1.8



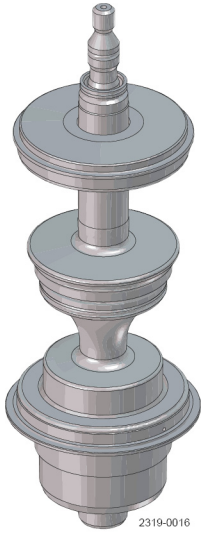
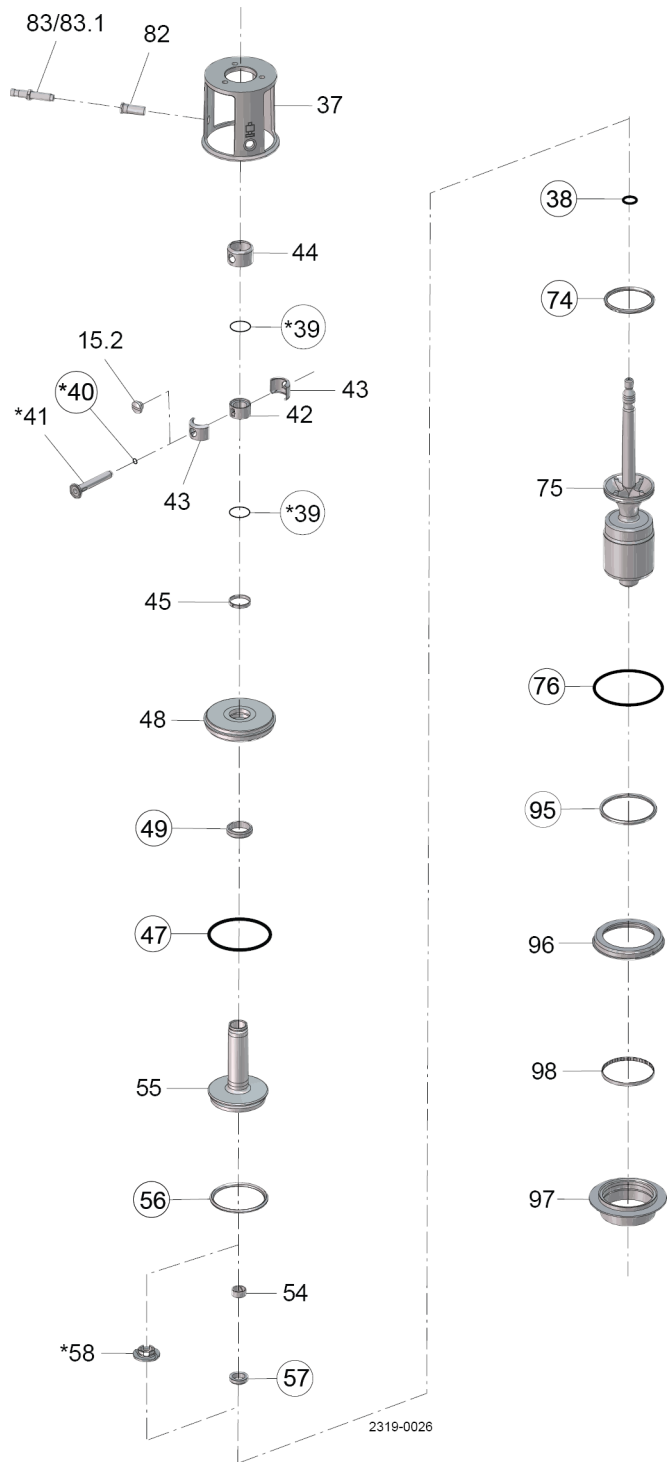
○ = wear parts

★ = with SpiralClean in leakage chamber

Pos	Qty	Denomination	2"	2½"	3"	4"	6"
<b>Intermediate parts</b>							
37	1	Intermediate piece	9614255901	9614256301	9614256303	9614256701	9614257101
82	1	Bolt for indication	9614257508	9614257508	9614257508	9614257508	9614257508
83	1	Sensor for indication	9611995199	9611995199	9611995199	9611995199	9611995199
83.1	1	Cable for sensor for indication	9611994915	9611994915	9611994915	9611994915	9611994915
<b>Spindle liner</b>							
15.2	1	Plug	9615331901	9615331901	9615331901	9615331901	9615331901
42	1	Spindle liner	9614221101	9614205301	9614205301	9614205301	9614205301
43	2	Clamp	9613011801	9613009201	9613009201	9613009201	9613009201
44	1	Lock	9613011701	9613009101	9613009101	9613009101	9613009101
<b>Extra parts if SpiralClean in leakage chamber</b>							
39	2	O-ring, EPDM	9611993492	9611993493	9611993493	9611993493	9611993493
40	1	O-ring, EPDM	9611995521	9611995521	9611995521	9611995521	9611995521
41	1	Flushing tube	9613205401	9613205401	9613205401	9613205401	9613205401
58	1	Spray nozzle, PVDF	9613221301	9614221201	9614221201	9614221201	9614221201
<b>Upper sealing element</b>							
45	1	Guide ring, PTFE	9613008416	9613008417	9613008417	9613008417	9613008417
47	♦	O-ring, EPDM	9611993632	9611993636	9611993636	9611993640	9611993644
	♦	O-ring, NBR	9611993633	9611993637	9611993637	9611993641	9611993645
	♦	O-ring, FPM	9611993634	9611993638	9611993638	9611993642	9611993646
	♦	O-ring, HNBR	9611993635	9611993639	9611993639	9611993643	9611993647
48	1	Upper sealing element, (blasted/Ra1.6)	9613014201	9613006401	9613006401	9613018801	9613017001
	1	Upper sealing element, (polished/Ra0.8)	9613014203	9613006403	9613006403	9613018803	9613017003
49	♦	Lip seal, EPDM	9613008501	9613008511	9613008511	9613008511	9613008511
	♦	Lip seal, NBR	9613008541	9613008543	9613008543	9613008543	9613008543
	♦	Lip seal, FPM	9613008503	9613008513	9613008513	9613008513	9613008513
	♦	Lip seal, HNBR	9613008504	9613008514	9613008514	9613008514	9613008514
<b>Upper plug</b>							
54	1	Guide ring, PTFE	9613008401	9613008402	9613008402	9613008402	9613008402
55	1	Upper plug	9614233101	9614234001	9614234001	9614234501	9614235001
56	♦	Seal ring, EPDM	9613095106	9613095109	9613095109	9613095119	9613095112
	♦	Seal ring, NBR	9613095114	9613095115	9613095115	9613095120	9613095116
	♦	Seal ring, FPM	9613095105	9613095108	9613095108	9613095118	9613095111
	♦	Seal ring, HNBR	9613095104	9613095107	9613095107	9613095117	9613095110
57	♦	Lip seal, EPDM	9613008706	9613008711	9613008711	9613008711	9613008711
	♦	Lip seal, NBR	9613008717	9613008718	9613008718	9613008718	9613008718
	♦	Lip seal, FPM	9613008708	9613008713	9613008713	9613008713	9613008713
	♦	Lip seal, HNBR	9613008709	9613008714	9613008714	9613008714	9613008714

1.8

1.8



○ = wear parts

★ = with SpiralClean in leakage chamber

Pos	Qty	Denomination	2"	2½"	3"	4"	6"
<b>Lower plug</b>							
38	♦	1 O-ring, EPDM	9611993555	9611993572	9611993572	9611993572	9611993572
74	♦	1 Seal ring, EPDM	9613095206	9613095209	9613095209	9613095219	9613095212
	♦	1 Seal ring, NBR	9613095214	9613095215	9613095215	9613095220	9613095216
	♦	1 Seal ring, FPM, Alfa Laval recommends EPDM	9613095205	9613095208	9613095208	9613095218	9613095211
	♦	1 Seal ring, HNBR	9613095204	9613095207	9613095207	9613095217	9613095210
75	♦	1 Lower plug	9614204821	9614201621	9614201633	9614217801	9614284807
<b>Lower sealing element</b>							
76	♦	1 O-ring, EPDM	9611993632	9611993636	9611993636	9611993640	9611993644
	♦	1 O-ring, NBR	9611993633	9611993637	9611993637	9611993641	9611993645
	♦	1 O-ring, FPM	9611993634	9611993638	9611993638	9611993642	9611993646
	♦	1 O-ring, HNBR	9611993635	9611993639	9611993639	9611993643	9611993647
95	♦	1 Special lip seal, EPDM	9613464215	9613464203	9613464203	9613464219	9613464207
	♦	1 Special lip seal, NBR	9613464216	9613464204	9613464204	9613464220	9613464208
	♦	1 Special lip seal, HNBR	9613464213	9613464201	9613464201	9613464217	9613464205
	♦	1 Special lip seal, FPM	9613464214	9613464202	9613464202	9613464218	9613464206
96	♦	1 Lower sealing element, upper part	9613475801	9613465201	9613465201	9613476001	9613465401
97	♦	1 Lower sealing element, lower part	9613475901	9613465301	9613465301	9613476101	9613465501
98	♦	1 Guide ring, Turcite	9613466104	9613466101	9613466101	9613466105	9613466102
<b>Extra parts if clamped valve body</b>							
52	♦	1 O-ring, EPDM	9611993632	9611993636	9611993636	9611993640	9611993644
	♦	1 O-ring, NBR	9611993633	9611993637	9611993637	9611993641	9611993645
	♦	1 O-ring, FPM	9611993634	9611993638	9611993638	9611993642	9611993646
	♦	1 O-ring, HNBR	9611993635	9611993639	9611993639	9611993643	9611993647

1.8

**NOTE!**

If clamped valve body an extra O-ring (pos. 52) is required.  
 If SpiralClean in leakage chamber, extra O-rings (2x pos. 39 and 1x pos. 40) is required.  
 Spare parts for mix size please refer to configurator in Alfa Laval Anytime

**NOTE!**

All FPM service kits are supplied with EPDM seal ring, pos. 74.

**Service kits**

		2"	2½"	3"	4"	6"
		Seat ø53.3	Seat ø81.3	Seat ø81.3	Seat ø100.3	Seat ø115.3
♦	Service kit, EPDM	9611928257	9611928261	9611928261	9611928265	9611928269
♦	Service kit, NBR	9611928258	9611928262	9611928262	9611928266	9611928270
♦	Service kit, FPM	9611928259	9611928263	9611928263	9611928267	9611928271
♦	Service kit, HNBR	9611928260	9611928264	9611928264	9611928268	9611928272

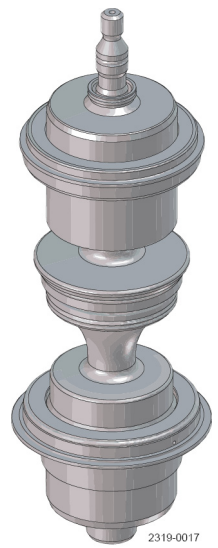
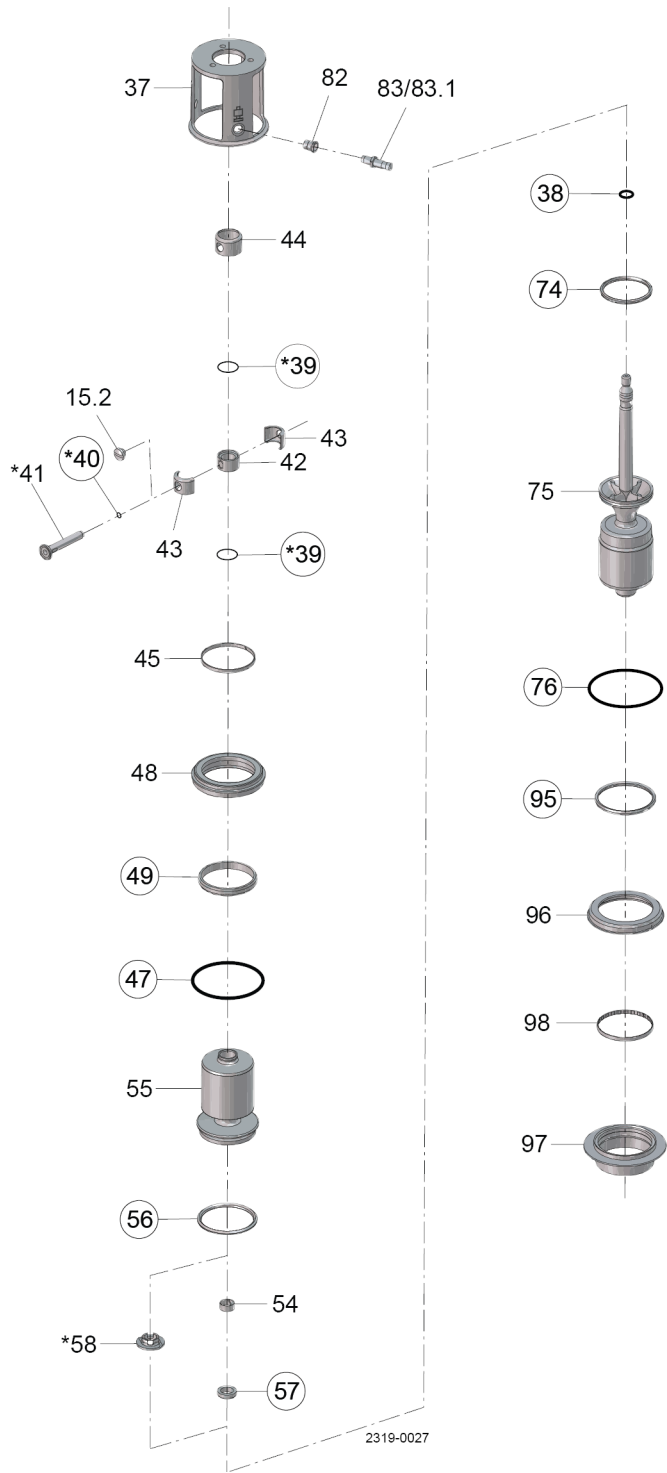
For mixed size housings, the service kit is determined by the smallest size connection on the valve.  
 One exception is any housing with 6" connections will always refer to the 6" service kits listed below:

♦	Service kit, EPDM	9611928321	9611928325	9611928325	9611928329
♦	Service kit, NBR	9611928322	9611928326	9611928326	9611928330
♦	Service kit, FPM	9611928323	9611928327	9611928327	9611928331
♦	Service kit, HNBR	9611928324	9611928328	9611928328	9611928332

**NOTE!**

All FPM service kits are supplied with EPDM seal ring, pos. 74.

1.8

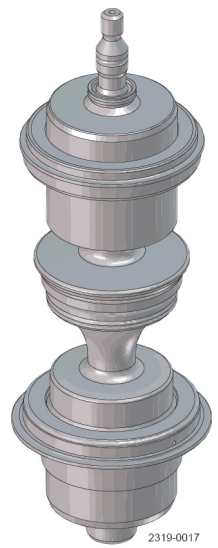
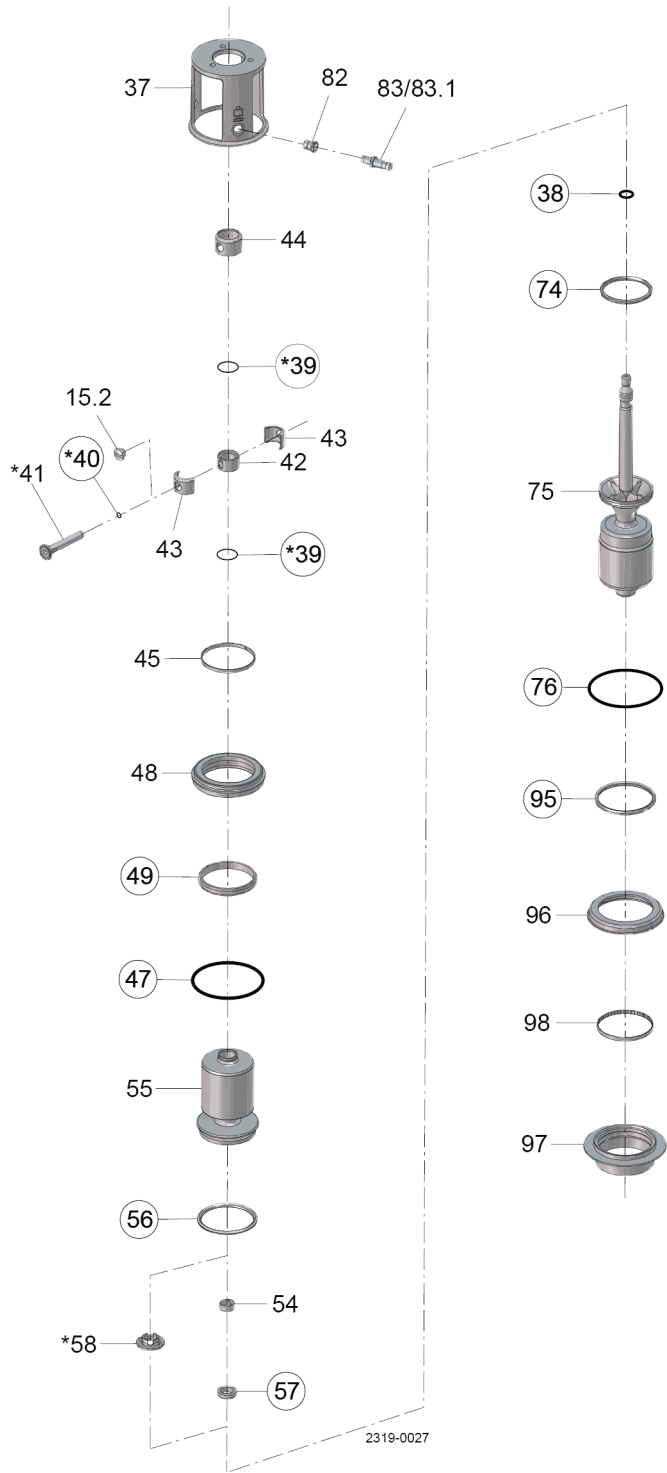


Pos	Qty	Denomination	1½"	2"	2½"	3"	4"	6"
<b>Intermediate parts</b>								
37	1	Intermediate piece . . . . .	9614255501	9614255901	9614256301	9614256303	9614256701	9614257101
82 Δ	1	Bolt for indication . . . . .	9614257508	9614257508	9614257508	9614257508	9614257508	9614257508
83 Δ	1	Sensor for indication . . . . .	9611995770	9611995770	9611995770	9611995770	9611995770	9611995770
83.1	1	Cable for sensor for indication . . . . .	9611994915	9611994915	9611994915	9611994915	9611994915	9611994915
<b>Spindle liner</b>								
15.2	1	Plug . . . . .	9615331901	9615331901	9615331901	9615331901	9615331901	9615331901
42	1	Spindle liner . . . . .	9614221101	9614221101	9614205301	9614205301	9614205301	9614205301
43	2	Clamp . . . . .	9613011801	9613011801	9613009201	9613009201	9613009201	9613009201
44	1	Lock . . . . .	9613011701	9613011701	9613009101	9613009101	9613009101	9613009101
<b>Extra parts if SpiralClean in leakage chamber</b>								
39	2	O-ring, EPDM . . . . .	9611993492	9611993492	9611993493	9611993493	9611993493	9611993493
40	1	O-ring, EPDM . . . . .	9611995521	9611995521	9611995521	9611995521	9611995521	9611995521
41	1	Flushing tube . . . . .	9613205401	9613205401	9613205401	9613205401	9613205401	9613205401
58	1	Spray nozzle, PVDF . . . . .	9613221301	9613221301	9614221201	9614221201	9614221201	9614221201
<b>Upper sealing element</b>								
45	1	Guide ring, PTFE . . . . .	9613008412	9613008413	9613008414	9613008414	9613008420	9613008415
47 ♦	1	O-ring, EPDM . . . . .	9611993628	9611993632	9611993636	9611993636	9611993640	9611993644
♦	1	O-ring, NBR . . . . .	9611993629	9611993633	9611993637	9611993637	9611993641	9611993645
♦	1	O-ring, FPM . . . . .	9611993630	9611993634	9611993638	9611993638	9611993642	9611993646
♦	1	O-ring, HNBR . . . . .	9611993631	9611993635	9611993639	9611993639	9611993643	9611993647
48	1	Upper sealing element, (blasted/Ra1.6) . . . . .	9613015701	9613014202	9613006402	9613006402	9613066001	9613017002
	1	Upper sealing element, (polished/Ra0.8) . . . . .	9613015702	9613014204	9613006404	9613006404	9613066002	9613017004
49 ♦	1	Lip seal, EPDM . . . . .	9613008516	9613008521	9613008526	9613008526	9613008548	9613008531
♦	1	Lip seal, NBR . . . . .	9613008544	9613008545	9613008546	9613008546	9613008553	9613008547
♦	1	Lip seal, FPM . . . . .	9613008518	9613008523	9613008528	9613008528	9613008550	9613008533
♦	1	Lip seal, HNBR . . . . .	9613008519	9613008524	9613008529	9613008529	9613008551	9613008534
<b>Upper plug</b>								
54	1	Guide ring, PTFE . . . . .	9613008401	9613008401	9613008402	9613008402	9613008402	9613008402
55	1	Upper plug . . . . .	9614232501	9614233109	9614234007	9614234007	9614234505	9614235003
56 ♦	1	Seal ring, EPDM . . . . .	9613095106	9613095106	9613095109	9613095109	9613095119	9613095112
♦	1	Seal ring, NBR . . . . .	9613095114	9613095114	9613095115	9613095115	9613095120	9613095116
♦	1	Seal ring, FPM . . . . .	9613095105	9613095105	9613095108	9613095108	9613095118	9613095111
♦	1	Seal ring, HNBR . . . . .	9613095104	9613095104	9613095107	9613095107	9613095117	9613095110
57 ♦	1	Lip seal, EPDM . . . . .	9613008706	9613008706	9613008711	9613008711	9613008711	9613008711
♦	1	Lip seal, NBR . . . . .	9613008717	9613008717	9613008718	9613008718	9613008718	9613008718
♦	1	Lip seal, FPM . . . . .	9613008708	9613008708	9613008713	9613008713	9613008713	9613008713
♦	1	Lip seal, HNBR . . . . .	9613008709	9613008709	9613008714	9613008714	9613008714	9613008714

1.8



1.8



Pos	Qty	Denomination	1½"	2"	2½"	3"	4"	6"
<b>Lower plug</b>								
38	♦	1 O-ring, EPDM . . . . .	9611993555	9611993555	9611993572	9611993572	9611993572	9611993572
74	♦	1 Seal ring, EPDM . . . . .	9613095206	9613095206	9613095209	9613095209	9613095219	9613095212
	♦	1 Seal ring, NBR . . . . .	9613095214	9613095214	9613095215	9613095215	9613095220	9613095216
	♦	1 Seal ring, FPM - Alfa Laval recommends EPDM . . . . .	9613095205	9613095205	9613095208	9613095208	9613095218	9613095211
	♦	1 Seal ring, HNBR . . . . .	9613095204	9613095204	9613095207	9613095207	9613095217	9613095210
75	♦	1 Lower plug . . . . .	9614202965	9614204821	9614201621	9614201633	9614217801	9614284807
<b>Lower sealing element</b>								
76	♦	1 O-ring, EPDM . . . . .	9611993628	9611993632	9611993636	9611993636	9611993640	9611993644
	♦	1 O-ring, NBR . . . . .	9611993629	9611993633	9611993637	9611993637	9611993641	9611993645
	♦	1 O-ring, FPM . . . . .	9611993630	9611993634	9611993638	9611993638	9611993642	9611993646
	♦	1 O-ring, HNBR . . . . .	9611993631	9611993635	9611993639	9611993639	9611993643	9611993647
95	♦	1 Special lip seal, EPDM . . . . .	9613464259	9613464215	9613464203	9613464203	9613464219	9613464207
	♦	1 Special lip seal, NBR . . . . .	9613464260	9613464216	9613464204	9613464204	9613464220	9613464208
	♦	1 Special lip seal, HNBR . . . . .	9613464257	9613464213	9613464201	9613464201	9613464217	9613464205
	♦	1 Special lip seal, FPM . . . . .	9613464258	9613464214	9613464202	9613464202	9613464218	9613464206
96	♦	1 Lower sealing element, upper part . . . . .	9614257701	9613475801	9613465201	9613465201	9613476001	9613465401
97	♦	1 Lower sealing element, lower part . . . . .	9614257801	9613475901	9613465301	9613465301	9613476101	9613465501
98	♦	1 Guide ring, Turcite . . . . .	9613466111	9613466104	9613466101	9613466101	9613466105	9613466102
<b>Extra parts if clamped valve body</b>								
52	♦	1 O-ring, EPDM . . . . .	9611993628	9611993632	9611993636	9611993636	9611993640	9611993644
	♦	1 O-ring, NBR . . . . .	9611993629	9611993633	9611993637	9611993637	9611993641	9611993645
	♦	1 O-ring, FPM . . . . .	9611993630	9611993634	9611993638	9611993638	9611993642	9611993646
	♦	1 O-ring, HNBR . . . . .	9611993631	9611993635	9611993639	9611993639	9611993643	9611993647

**NOTE!**

If clamped valve body an extra O-ring (pos. 52) is required.  
 If SpiralClean in leakage chamber, extra O-rings (2x pos. 39 and 1x pos. 40) is required.  
 Δ Sensor service kit for valves delivered prior to October 2015 - 9611928351  
 Spare parts for mix size please refer to configurator in Alfa Laval Anytime

**NOTE!**

All FPM service kits are supplied with EPDM seal ring, pos. 74.

**Service kits**

		1½"	2"	2½"	3"	4"	6"
		Seat ø53.3	Seat ø53.3	Seat ø81.3	Seat ø81.3	Seat ø100.3	Seat ø115.3
♦	Service kit, EPDM . . . . .	9611928273	9611928277	9611928281	9611928281	9611928285	9611928289
♦	Service kit, NBR . . . . .	9611928274	9611928278	9611928282	9611928282	9611928286	9611928290
♦	Service kit, FPM . . . . .	9611928275	9611928279	9611928283	9611928283	9611928287	9611928291
♦	Service kit, HNBR . . . . .	9611928276	9611928280	9611928284	9611928284	9611928288	9611928292

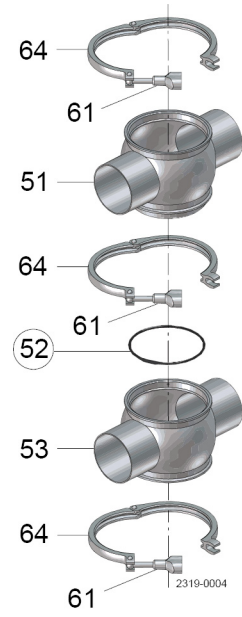
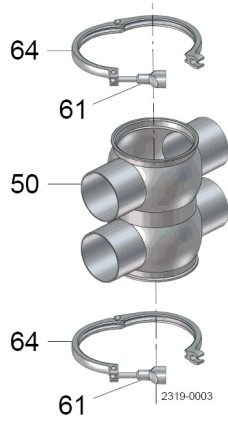
For mixed size housings, the service kit is determined by the smallest size connection on the valve.  
 One exception is any housing with 6" connections will always refer to the 6" service kits listed below:

♦	Service kit, EPDM . . . . .	9611928333	9611928337	9611928341	9611928341	9611928345
♦	Service kit, NBR . . . . .	9611928334	9611928338	9611928342	9611928342	9611928346
♦	Service kit, FPM . . . . .	9611928335	9611928339	9611928343	9611928343	9611928347
♦	Service kit, HNBR . . . . .	9611928336	9611928340	9611928344	9611928344	9611928348

**NOTE!**

All FPM service kits are supplied with EPDM seal ring, pos. 74.

1.8



Body combination - welded bodies

11-00



11-90



11-180



11-270



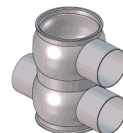
12-00



12-90



21-00



21-90



22-00



22-90



2319-0103

## Valve body and clamps

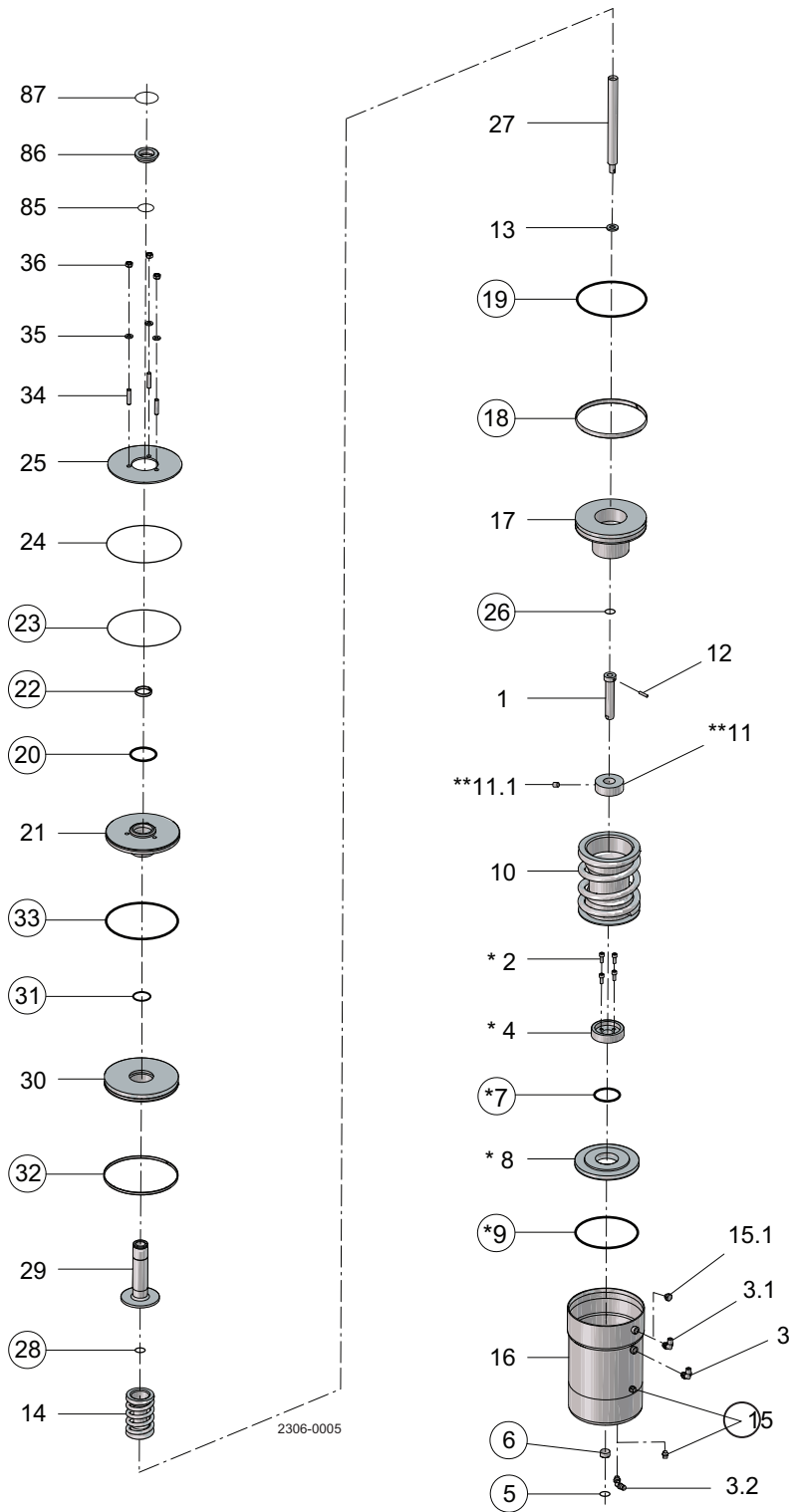
Pos	Qty	Denomination	1½"	2"	2½"	3"	4"	6"
61	2	Wingnut .....	9612558001	9612558001	9612558001	9612558001	9612558001	9612558001
64	2	Clamp without nut .....	9613021401	9613021501	9613021601	9613021601	9613021701	9613021801
<b>External blasted / internal polished</b>								
50	1	Valve body, 11-00 .....	9613057121	9615423501	9615423601	9615423701	9615423801	9614295411
	1	Valve body, 12-00 .....	9613057125	9615423505	9615423605	9615423705	9615423805	9614295415
	1	Valve body, 21-00 .....	9613057127	9615423507	9615423607	9615423707	9615423807	9614295417
	1	Valve body, 22-00 .....	9613057129	9615423509	9615423609	9615423709	9615423809	9614295419
	1	Valve body, 11-90 .....	9613057122	9615423502	9615423602	9615423702	9615423802	9614295412
	1	Valve body, 12-90 .....	9613057126	9615423506	9615423606	9615423706	9615423806	9614295416
	1	Valve body, 21-90 .....	9613057128	9615423508	9615423608	9615423708	9615423808	9614295418
	1	Valve body, 22-90 .....	9613057130	9615423510	9615423610	9615423710	9615423810	9614295420
	1	Valve body, 11-180 .....	9613057123	9615423503	9615423603	9615423703	9615423803	9614295413
	1	Valve body, 11-270 .....	9613057124	9615423504	9615423604	9615423704	9615423804	9614295414
<b>External and internal polished</b>								
	1	Valve body, 11-00 .....	9613057141	9615423521	9615423621	9615423721	9615423821	9614295421
	1	Valve body, 12-00 .....	9613057145	9615423525	9615423625	9615423725	9615423825	9614295425
	1	Valve body, 21-00 .....	9613057147	9615423527	9615423627	9615423727	9615423827	9614295427
	1	Valve body, 22-00 .....	9613057149	9615423529	9615423629	9615423729	9615423829	9614295429
	1	Valve body, 11-90 .....	9613057142	9615423522	9615423622	9615423722	9615423822	9614295422
	1	Valve body, 12-90 .....	9613057146	9615423526	9615423626	9615423726	9615423826	9614295426
	1	Valve body, 21-90 .....	9613057148	9615423528	9615423628	9615423728	9615423828	9614295428
	1	Valve body, 22-90 .....	9613057150	9615423530	9615423630	9615423730	9615423830	9614295430
	1	Valve body, 11-180 .....	9613057143	9615423523	9615423623	9615423723	9615423823	9614295423
	1	Valve body, 11-270 .....	9613057144	9615423524	9615423624	9615423724	9615423824	9614295424
<b>Clamped valve body</b>								
Pos	Qty	Denomination	1½"	2"	2½"	3"	4"	6"
<b>External blasted / internal polished</b>								
51	1	Valve body, upper, 1 port ...	9613058015	9613058017	9613058019	9613058021	9613058039	9613058045
	1	Valve body, upper, 2 ports ..	9613058016	9613058018	9613058020	9613058022	9613058040	9613058046
53	1	Valve body, lower, 1 port ....	9613058315	9613058317	9613058319	9613058321	9613058323	9613058339
	1	Valve body, lower, 2 ports ..	9613058316	9613058318	9613058320	9613058322	9613058324	9613058340
<b>External and internal polished</b>								
51	1	Valve body, upper, 1 port ...	9613058027	9613058029	9613058031	9613058033	9613058041	9613058047
	1	Valve body, upper, 2 ports ..	9613058028	9613058030	9613058032	9613058034	9613058042	9613058048
53	1	Valve body, lower, 1 port ....	9613058327	9613058329	9613058331	9613058333	9613058335	9613058341
	1	Valve body, lower, 2 ports ..	9613058328	9613058330	9613058332	9613058334	9613058336	9613058342
<b>Extra parts if clamped valve body</b>								
52	1	O-ring, EPDM .....	9611993628	9611993632	9611993636	9611993636	9611993640	9611993644
	1	O-ring, NBR .....	9611993629	9611993633	9611993637	9611993637	9611993641	9611993645
	1	O-ring, FPM .....	9611993630	9611993634	9611993638	9611993638	9611993642	9611993646
	1	O-ring, HNBR .....	9611993631	9611993635	9611993639	9611993639	9611993643	9611993647

### NOTE!

If different connection size on upper and lower body, except for size 6", it is always the smallest body that determines the service kit.

**If clamped valve body an extra O-ring (pos. 52) is required.**

1.8



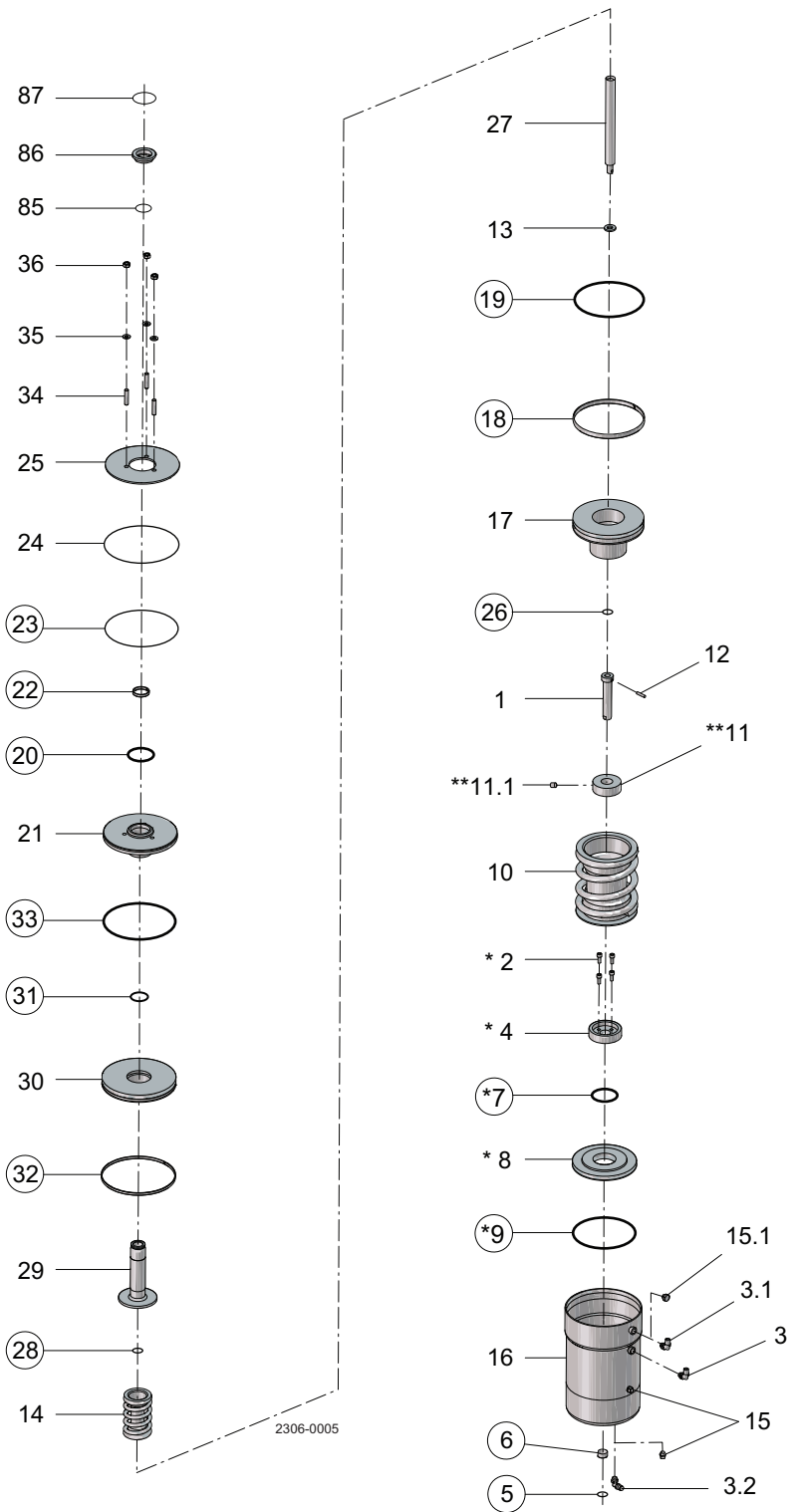
= actuator kit  
 \* = Not used in actuator 1½"-2"  
 \*\* = Not used in actuator 2½", 3", 4" and 6",

Pos	Qty	Denomination	LongStroke					
			DN/OD 51	DN/OD 63.5	DN/OD 76.1	DN/OD 101.6	DN 125	
			DN 50	DN 65	DN 80	DN 100	DN 150	
1	1	Upper stem	9613010102	9613007401	9613007402	9613007402	9613007402	9613007402
2	4	Screw		9611993342	9611993342	9611993342	9611993342	9611993342
3	1	Air fitting	9611991988	9611991988	9611991988	9611991988	9611991988	9611991988
3.1	1	Air fitting	9611991988	9611991988	9611991988	9611991988	9611991988	9611991988
3.2	1	Air fitting	9611991988	9611991988	9611991988	9611991988	9611991988	9611991988
4	1	Stop for upper piston		9613005301	9613005302	9613005302	9613005302	9613005302
5	□	O-ring, NBR	9611993499	9611993499	9611993499	9611993499	9611993499	9611993499
6	□	Guide ring, Turcite	9613008408	9613008408	9613008408	9613008408	9613008408	9613008408
7	□	O-ring, NBR	9611993514	9611993514	9611993514	9611993514	9611993514	9611993514
8	1	Upper piston		9613005601	9613005602	9613005602	9613005602	9613005602
9	□	O-ring, NBR		9611993512	9611993513	9611993513	9611993513	9611993513
10	1	Spring assembly	9613012501					
11	1	Distance spacer	9613010202					
11.1	1	Screw	9611991763					
12	1	Pin	9611994197	9611994198	9611994199	9611994199	9611994199	9611994199
13	1	Washer	9611993594	9611993595	9611993596	9611993596	9611993596	9611993596
14	1	Spring assembly	9613013101	9613009502	9613009502	9613009502	9613009502	9613009502
15	1	Plug	9613414101	9613414101	9613414101	9613414101	9613414101	9613414101
15.1	1	Plug	9611993709	9611993709	9611993709	9611993709	9611993709	9611993709
17	1	Main piston	9613013201	9613005701	9613015901	9613015901	9613015901	9613015901
18	□	Guide ring, Turcite	9613008409	9613008410	9613008411	9613008411	9613008411	9613008411
19	□	O-ring, NBR	9611993505	9611993507	9611993509	9611993509	9611993509	9611993509
20	□	O-ring, NBR	9611993503	9611993607	9611993607	9611993607	9611993607	9611993607
21	1	Bottom	9613014001	9613005401	9613016801	9613016801	9613016801	9613016801
22	□	Guide ring, Turcite	9613008403	9613008404	9613008404	9613008404	9613008404	9613008404
23	□	O-ring, NBR	9611992228	9611991489	22340675	22340675	22340675	22340675
24	1	Retaining ring	9613024802	9613024803	9613024804	9613024804	9613024804	9613024804
25	1	Cover disk	9613005802	9613005803	9613005804	9613005804	9613005804	9613005804
26	□	O-ring, NBR	9611993528	9611993495	9611993530	9611993530	9611993530	9611993530
27	1	Inner stem	9613010602	9613007301	9613007302	9613007302	9613007302	9613007302
28	□	O-ring	9611993495	9611990030	9611990030	9611990030	9611990030	9611990030
29	1	Piston rod	9613013401	9613006001	9613006002	9613006002	9613006002	9613006002
30	1	Lower piston	9613013801	9613005501	9613016601	9613016601	9613016601	9613016601
31	□	O-ring, NBR	42153	42153	42153	42153	42153	42153
32	□	Guide ring, Turcite	9613008405	9613008406	9613008407	9613008407	9613008407	9613008407
33	□	O-ring, NBR	22341275	9611993508	9611993510	9611993510	9611993510	9611993510
34	3	Bolt	9611993618	9611993618	9611993618	9611993618	9611993618	9611993618
35	3	Washer	9611993594	9611993594	9611993594	9611993594	9611993594	9611993594
36	3	Nut	9611990360	9611990360	9611990360	9611990360	9611990360	9611990360
85	1	O-ring, NBR	9611994604	9611990092	9611990092	9611990092	9611990092	9611990092
86	1	Prop	9613099001	9613099002	9613099002	9613099002	9613099002	9613099002
87	1	O-ring, NBR	9611994599	9611994599	9611994599	9611994599	9611994599	9611994599
				DN/OD 63.5	DN/OD 63.5			
				DN 65	DN 65			
			DN/OD 51	DN/OD 76.1	DN/OD 76.1	DN/OD 101.6	DN 125	
			DN 50	DN 80	DN 80	DN 100	DN 150	
□		Service kits, actuator	9611926414	9611926415	9611926416	9611926416	9611926416	9611926416

1.8

Parts marked with □ are included in the service kits.

1.8



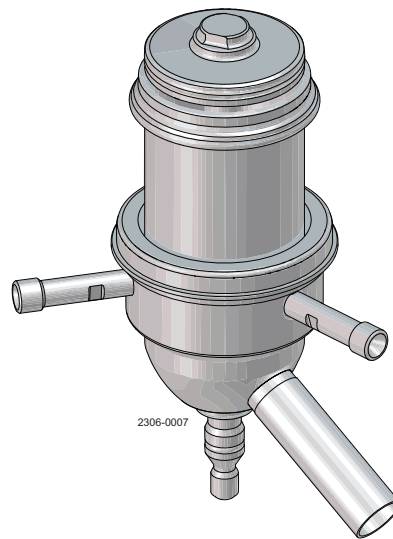
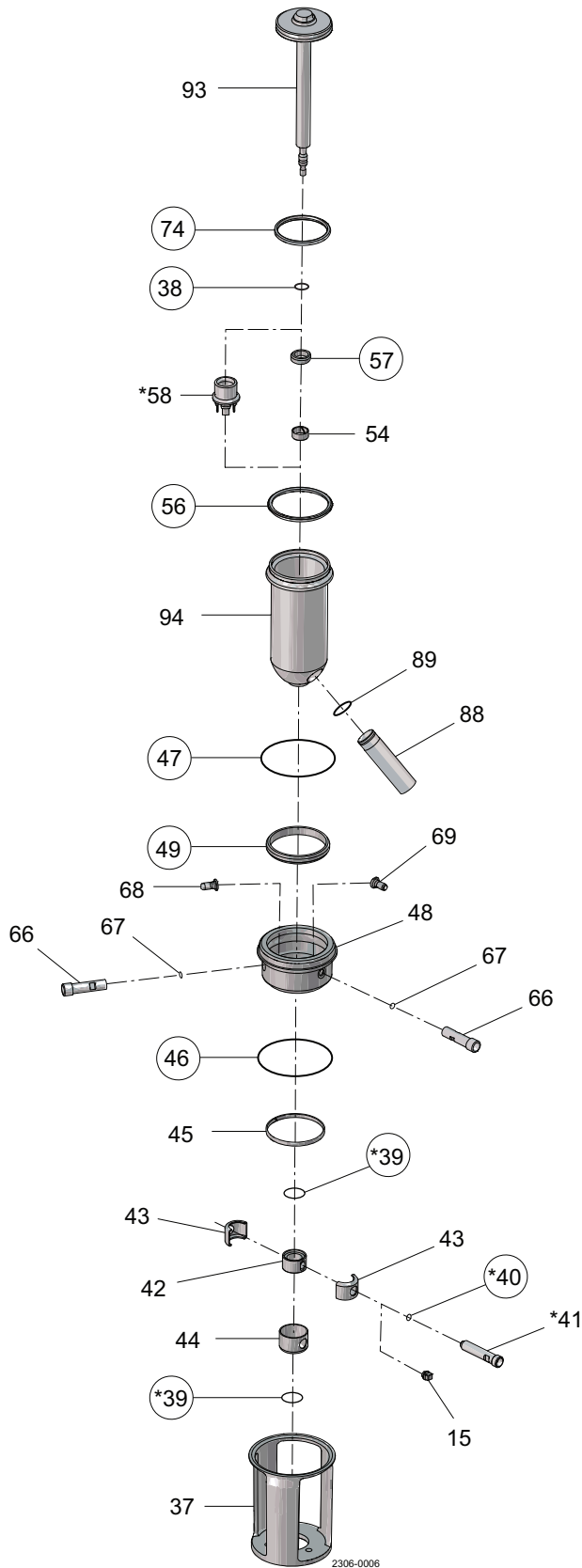
- = Actuator kit
- \* = Not used in actuator 2"
- \*\* = Not used in actuator 2½", 3", 4"

Pos	Qty	Denomination	Long stroke			
			2"	2½" & 3"	2½" & 3"	4"
1	1	Upper stem	9613010102	9613007401	9613007402	9613007402
2	4	Screw		9611993342	9611993342	9611993342
3	1	Air fitting, blue	9611993780	9611993780	9611993780	9611993780
3.1	1	Air fitting, red	9611994172	9611994172	9611994172	9611994172
3.2	1	Air fitting, yellow	9611994171	9611994171	9611994171	9611994171
4	1	Stop for upper piston		9613005301	9613005302	9613005302
5 ●	1	O-ring, NBR	9611993499	9611993499	9611993499	9611993499
6 ●	1	Guide ring, Turcite	9613008408	9613008408	9613008408	9613008408
7 ●	1	O-ring, NBR		9611993514	9611993514	9611993514
8	1	Upper piston		9613005601	9613005602	9613005602
9 ●	1	O-ring, NBR	9611993512	9611993513	9611993513	
10	1	Spring assembly	9613012501	9613007502	9613025604	9613025604
11	1	Distance spacer	9613010202			
11.1	1	Screw	9611991763			
12	1	Pin	9611994197	9611994198	9611994199	9611994199
13	1	Washer	9611993594	9611993595	9611993596	9611993596
14	1	Spring assembly	9613013101	9613009502	9613009502	9613009502
15	1	Plug	9613414101	9613414101	9613414101	9613414101
15.1	1	Plug	9611993709	9611993709	9611993709	9611993709
17	1	Main piston	9613013201	9613005701	9613015901	9613015901
18 ●	1	Guide ring, Turcite	9613008409	9613008410	9613008411	9613008411
19 ●	1	O-ring, NBR	9611993505	9611993507	9611993509	9611993509
20 ●	1	O-ring, NBR	9611993503	9611993607	9611993607	9611993607
21	1	Bottom	9613014001	9613005401	9613016801	9613016801
22 ●	1	Guide ring, Turcite	9613008403	9613008404	9613008404	9613008404
23 ●	1	O-ring, NBR	9611992228	9611991489	22340675	22340675
24	1	Retaining ring	9613024802	9613024803	9613024804	9613024804
25	1	Cover disk	9613005802	9613005803	9613005804	9613005804
26 ●	1	O-ring, NBR	9611993528	9611993495	9611993530	9611993530
27	1	Inner stem	9613010602	9613007301	9613007302	9613007302
28 ●	1	O-ring	9611993495	9611990030	9611990030	9611990030
29	1	Piston rod	9613013401	9613006001	9613006002	9613006002
30	1	Lower piston	9613013801	9613005501	9613016601	9613016601
31 ●	1	O-ring, NBR	42153	42153	42153	42153
32 ●	1	Guide ring, Turcite	9613008405	9613008406	9613008407	9613008407
33 ●	1	O-ring, NBR	22341275	9611993508	9611993510	9611993510
34	3	Bolt	9611993618	9611993618	9611993618	9611993618
35	3	Washer	9611993594	9611993594	9611993594	9611993594
36	3	Nut	9611990360	9611990360	9611990360	9611990360
85	1	O-ring, NBR	9611994604	9611990092	9611990092	9611990092
86	1	Prop	9613099001	9613099002	9613099002	9613099002
87	1	O-ring, NBR	9611994599	9611994599	9611994599	9611994599
			<b>2"</b>	<b>2½" &amp; 3"</b>	<b>2½" &amp; 3"</b>	<b>4"</b>
●	<b>Actuator service kit</b>		<b>9611926414</b>	<b>9611926415</b>	<b>9611926416</b>	<b>9611926416</b>

1.8

Parts marked with ● are included in the service kits.





○ = wear parts

\* = with SpiralClean in leakage chamber

Pos	Qty	Denomination	LongStroke				
			DN/OD 51 DN50 Seat ø53.3	DN/OD 63.5 DN/OD 76.1 DN65/DN80 Seat ø81.3	DN/OD 76.1 DN/OD 76.1 DN65/DN80 Seat ø81.3	DN/OD 101.6 DN 100 Seat ø100.3	DN 125 Seat ø115.3
<b>Spindle liner</b>							
15	1	Plug	9613414101	9613414101	9613414101	9613414101	9613414101
42	1	Spindle liner	9613011601	9613009001	9613009001	9613009001	9613009001
43	2	Clamp	9613011801	9613009201	9613009201	9613009201	9613009201
44	1	Lock	9613011701	9613009101	9613009101	9613009101	9613009101
<b>Extra parts if SpiralClean in vent cavity</b>							
39	2	O-ring, EPDM	9611993492	9611993493	9611993493	9611993493	9611993493
40	1	O-ring, EPDM	9611993119	9611993119	9611993119	9611993119	9611993119
41	1	Flushing tube	3135710172	3135710172	3135710172	3135710172	3135710172
58	1	Spray nozzle, PVDF	9613098801	9613098901	9613098901	9613098901	9613098901
<b>Sealing element</b>							
45	1	Guide ring	9613008413	9613008414	9613008414	9613008420	9613008415
46	•	O-ring, EPDM	9611993650	9611993651	9611993651	9611994407	9611993652
47	•	O-ring, EPDM	9611993632	9611993636	9611993636	9611993640	9611993644
	•	O-ring, NBR	9611993633	9611993637	9611993637	9611993641	9611993645
	•	O-ring, FPM	9611993634	9611993638	9611993638	9611993642	9611993646
	•	O-ring, HNBR	9611993635	9611993639	9611993639	9611993643	9611993647
48	1	Sealing element	9613049101	9613049201	9613049201	9613065901	9613049401
49	•	Lip seal, EPDM	9613008521	9613008526	9613008526	9613008548	9613008531
	•	Lip seal, NBR	9613008522	9613008527	9613008527	9613008549	9613008532
	•	Lip seal, FPM	9613008523	9613008528	9613008528	9613008550	9613008533
	•	Lip seal, HNBR	9613008524	9613008529	9613008529	9613008551	9613008534
66	2	Flushing tube	9613007902	9613007903	9613007903	9613007904	9613007905
67	•	O-ring, EPDM	9611993119	9611993119	9611993119	9611993119	9611993119
68	1	Drain	9613008001	9613008001	9613008001	9613008001	9613008001
69	1	Nozzle	9613008002	9613008002	9613008002	9613008002	9613008002
<b>Upper plug</b>							
54	1	Guide ring, PTFE	9613008401	9613008402	9613008402	9613008402	9613008402
56	•	Seal ring, EPDM	9613095106	9613095109	9613095109	9613095119	9613095112
	•	Seal ring, NBR	9613095114	9613095115	9613095115	9613095120	9613095116
	•	Seal ring, FPM	9613095105	9613095108	9613095108	9613095118	9613095111
	•	Seal ring, HNBR	9613095104	9613095107	9613095107	9613095117	9613095110
57	•	Lip seal, EPDM	9613008706	9613008711	9613008711	9613008711	9613008711
	•	Lip seal, NBR	9613008707	9613008712	9613008712	9613008712	9613008712
	•	Lip seal, FPM	9613008708	9613008713	9613008713	9613008713	9613008713
	•	Lip seal, HNBR	9613008709	9613008714	9613008714	9613008714	9613008714
88	Δ	Pipe for balance plug, *	9615248501	9615248502	9615248502	9615248502	9615248502
	•	Pipe for balance plug, **	9613098101	9613098102	9613098102	9613098102	9613098102
89	Δ•	O-ring, EPDM, *	9611995937	9611995938	9611995938	9611995938	9611995938
	•	O-ring, EPDM, **	9611994603	9611994600	9611994600	9611994600	9611994600
94	Δ	Balance plug, *	9615248702	9615248802	9615248802	9615248902	9615249002
	•	Balance plug, **	9613096302	9613096402	9613096402	9613096502	9613096602
<b>Lower plug</b>							
38	•	O-ring, EPDM	9611993555	9611993572	9611993572	9611993572	9611993572
74	•	Seal ring, EPDM	9613095206	9613095209	9613095209	9613095219	9613095212
	•	Seal ring, NBR	9613095214	9613095215	9613095215	9613095220	9613095216
	•	Seal ring, FPM - Alfa Laval recommends					
	•	EPDM	9613095205	9613095208	9613095208	9613095218	9613095211
	•	Seal ring, HNBR	9613095204	9613095207	9613095207	9613095217	9613095210
93	1	Tank plug	9613096702	9613096802	9613096802	9613096902	9613097002

1.8

\* = (period 1702 - )

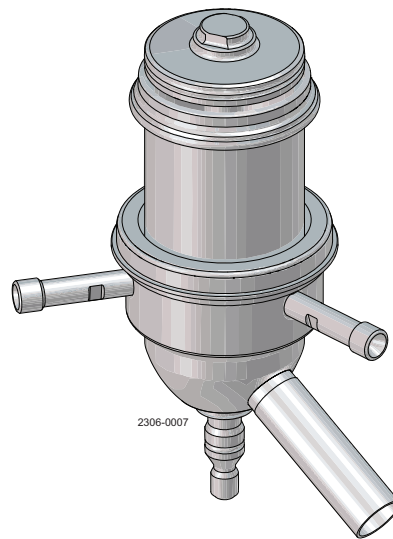
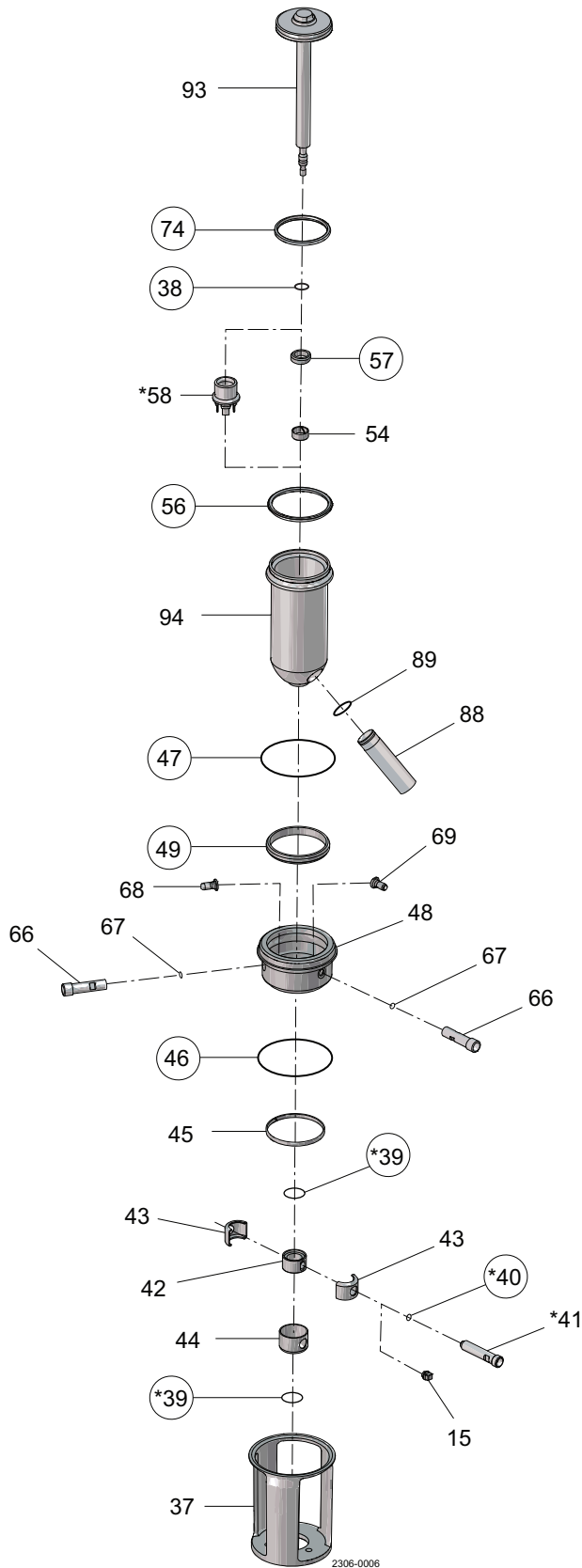
\*\* = (period -1702)

Δ = Upgrade kit - please buy pos. 88, 89 and 94.

Pos. 37, please see section

See note below service kits.

1.8



○ = wear parts

\* = with SpiralClean in leakage chamber

		DN/OD 51 DN50 Seat ø53.3	DN/OD 63.5 DN/OD 76.1 DN65/DN80 Seat ø81.3	LongStroke DN/OD 63.5 DN/OD 76.1 DN65/DN80 Seat ø81.3	DN/OD 101.6 DN 100 Seat ø100.3	DN 125 Seat ø115.3
•	Service kit, EPDM	9611926449	9611926453	9611926453	9611926457	9611926461
•	Service kit, NBR	9611926450	9611926454	9611926454	9611926458	9611926462
•	Service kit, FPM	9611926451	9611926455	9611926455	9611926459	9611926463
•	Service kit, HNBR	9611926452	9611926456	9611926456	9611926460	9611926464

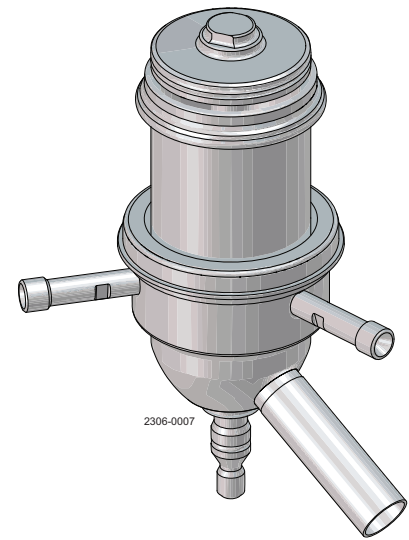
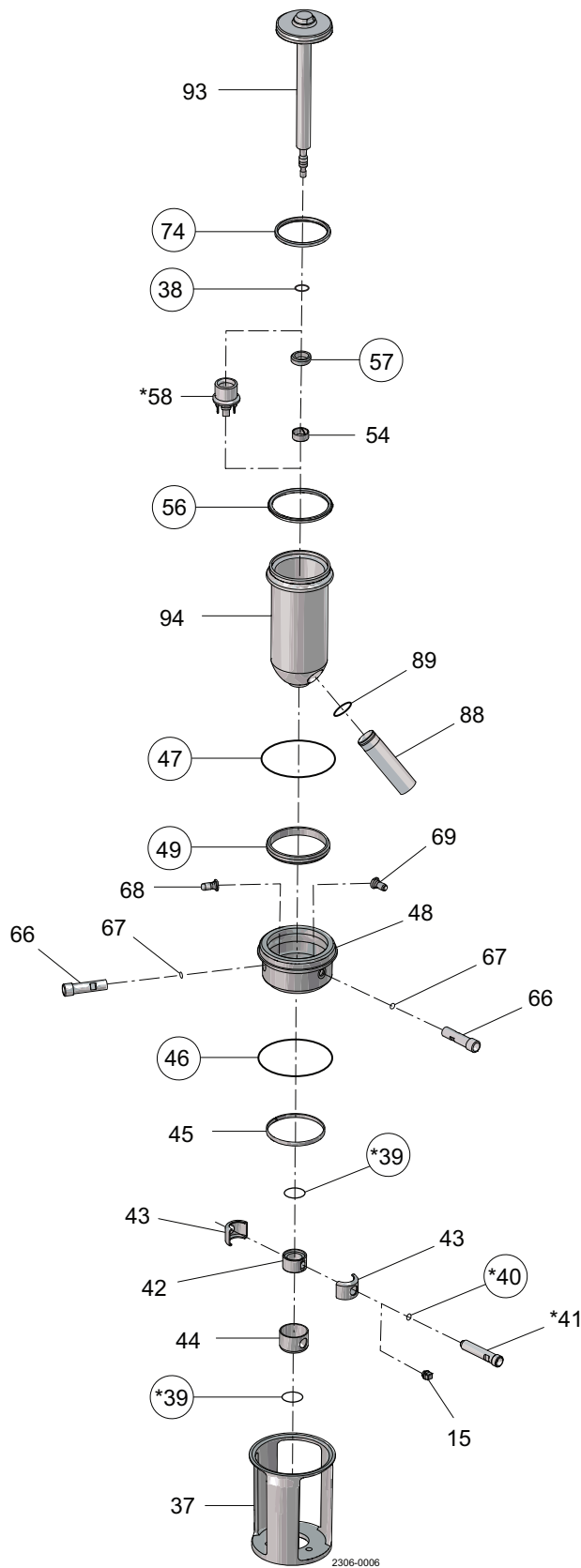
1.8

Parts marked with • are included in the service kits.  
 Δ = Upgrade kit - please buy pos. 88, 89 and 94.

NOTE!  
 If SpiralClean in leakage chamber extra O-rings (2x pos. 39 and 1x pos. 40) is required.  
 All FPM service kits are supplied with EPDM seal ring, pos. 74.

900698/1

1.8



○ = wear parts  
★ = with SpiralClean in leakage chamber

Pos	Qty	Denomination	Long stroke			
			2" Seat ø53.3	2½" + 3" Seat ø81.3	2½" & 3" Seat ø81.3	4" Seat ø100.3
<b>Spindle liner</b>						
15	1	Plug	9613414101	9613414101	9613414101	9613414101
42	1	Spindle liner	9613011601	9613009001	9613009001	9613009001
43	2	Clamp	9613011801	9613009201	9613009201	9613009201
44	1	Lock	9613011701	9613009101	9613009101	9613009101
<b>Extra parts if SpiralClean in vent cavity</b>						
39	2	O-ring, EPDM	9611993492	9611993493	9611993493	9611993493
40	1	O-ring, EPDM	9611993119	9611993119	9611993119	9611993119
41	1	Flushing tube	3135710172	3135710172	3135710172	3135710172
58	1	Spray nozzle, PVDF	9613098801	9613098901	9613098901	9613098901
<b>Sealing element</b>						
45	1	Guide ring	9613008413	9613008414	9613008414	9613008420
46	•	O-ring, EPDM	9611993650	9611993651	9611993651	9611994407
47	•	O-ring, EPDM	9611993632	9611993636	9611993636	9611993640
	•	O-ring, NBR	9611993633	9611993637	9611993637	9611993641
	•	O-ring, FPM	9611993634	9611993638	9611993638	9611993642
	•	O-ring, HNBR	9611993635	9611993639	9611993639	9611993643
48	1	Sealing element, blasted	9613049101	9613049201	9613049201	9613065901
	1	Sealing element, polished	9613049102	9613049202	9613049202	9613065902
49	•	Lip seal, EPDM	9613008521	9613008526	9613008526	9613008548
	•	Lip seal, NBR	9613008522	9613008527	9613008527	9613008549
	•	Lip seal, FPM	9613008523	9613008528	9613008528	9613008550
	•	Lip seal, HNBR	9613008524	9613008529	9613008529	9613008551
66	2	Flushing tube	9613007902	9613007903	9613007903	9613007904
67	•	O-ring, EPDM	9611993119	9611993119	9611993119	9611993119
68	1	Drain	9613008001	9613008001	9613008001	9613008001
69	1	Nozzle	9613008002	9613008002	9613008002	9613008002
<b>Upper plug</b>						
54	1	Guide ring, PTFE	9613008401	9613008402	9613008402	9613008402
56	•	Seal ring, EPDM	9613095106	9613095109	9613095109	9613095119
	•	Seal ring, NBR	9613095114	9613095115	9613095115	9613095120
	•	Seal ring, FPM	9613095105	9613095108	9613095108	9613095118
	•	Seal ring, HNBR	9613095104	9613095107	9613095107	9613095117
57	1	Lip seal, EPDM	9613008706	9613008711	9613008711	9613008711
	•	Lip seal, NBR	9613008707	9613008712	9613008712	9613008712
	•	Lip seal, FPM	9613008708	9613008713	9613008713	9613008713
	•	Lip seal, HNBR	9613008709	9613008714	9613008714	9613008714
88	Δ	Pipe for balance plug, *	9615248501	9615248502	9615248502	9615248502
	1	Pipe for balance plug, **	9613098101	9613098102	9613098102	9613098102
89	Δ•	O-ring, EPDM, *	9611995937	9611995938	9611995938	9611995938
	•	O-ring, EPDM, **	9611994603	9611994600	9611994600	9611994600
94	Δ	Balance plug, *	9615248702	9615248802	9615248802	9615248902
	1	Balance plug, **	9613096302	9613096402	9613096402	9613096502
<b>Lower plug</b>						
38	•	O-ring, EPDM	9611993555	9611993572	9611993572	9611993572
74	•	Seal ring, EPDM	9613095206	9613095209	9613095209	9613095219
	•	Seal ring, NBR	9613095214	9613095215	9613095215	9613095220
	•	Seal ring, FPM, Alfa Laval recommends EPDM	9613095205	9613095208	9613095208	9613095218
	•	Seal ring, HNBR	9613095204	9613095207	9613095207	9613095217
93	1	Tank plug	9613096702	9613096802	9613096802	9613096902
<b>Tank flange</b>						
76	•	O-ring, EPDM	9611993632	9611993636	9611993636	9611993640
	•	O-ring, NBR	9611993633	9611993637	9611993637	9611993641
	•	O-ring, FPM	9611993634	9611993638	9611993638	9611993642
	•	O-ring, HNBR	9611993635	9611993639	9611993639	9611993643

1.8

\* = (period 1702 - )

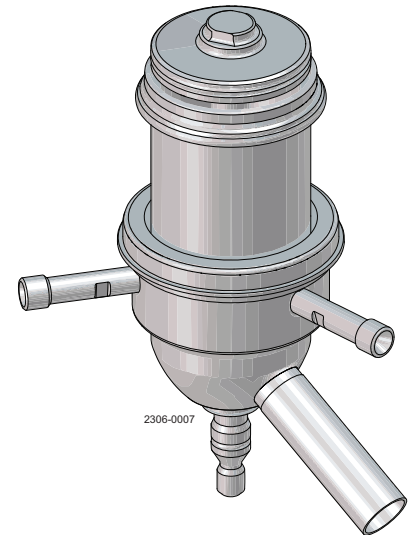
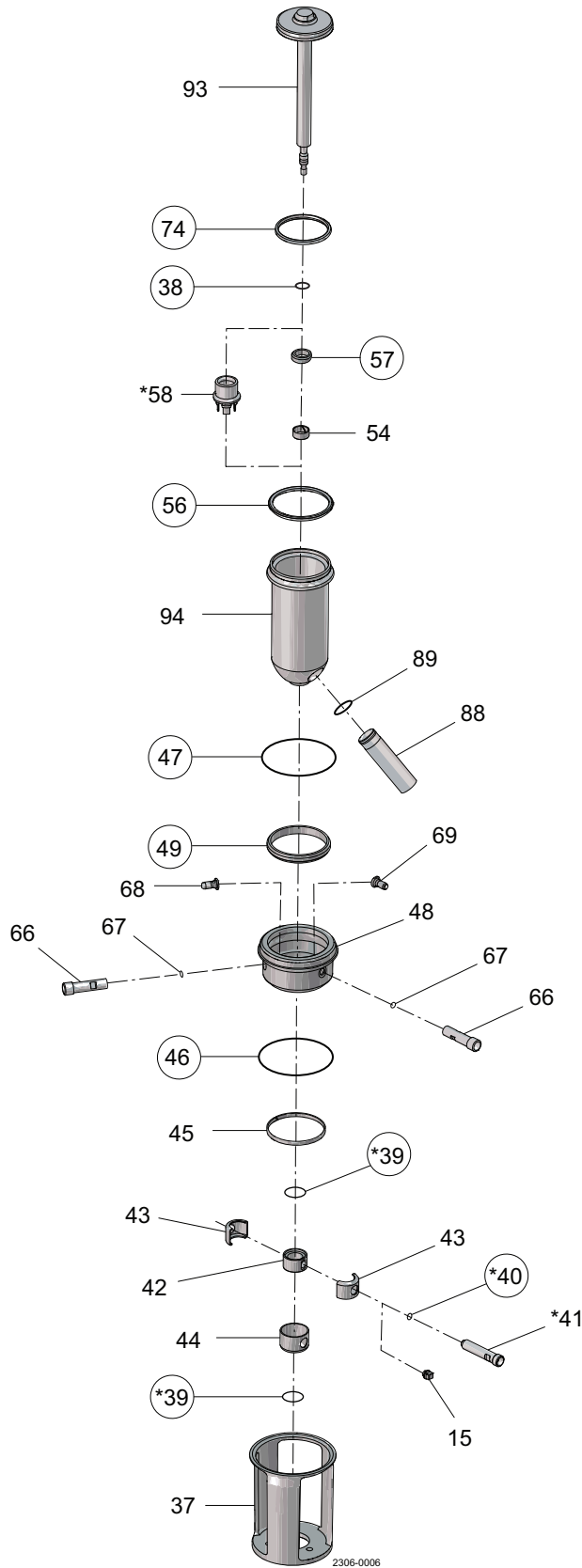
\*\* = (period -1702)

Δ = Upgrade kit - please buy pos. 88, 89 and 94.

Pos. 37, please see section

See note below service kits.

1.8



○ = wear parts

★ = with SpiralClean in leakage chamber

		2"	2½" + 3"	Long stroke 2½" & 3"	4"
		Seat ø53.3	Seat ø81.3	Seat ø81.3	Seat ø100.3
<b>Service kits</b>					
•	Service kit, EPDM	9611926449	9611926453	9611926453	9611926457
•	Service kit, NBR	9611926450	9611926454	9611926454	9611926458
•	Service kit, FPM	9611926451	9611926455	9611926455	9611926459
•	Service kit, HNBR	9611926452	9611926456	9611926456	9611926460

1.8

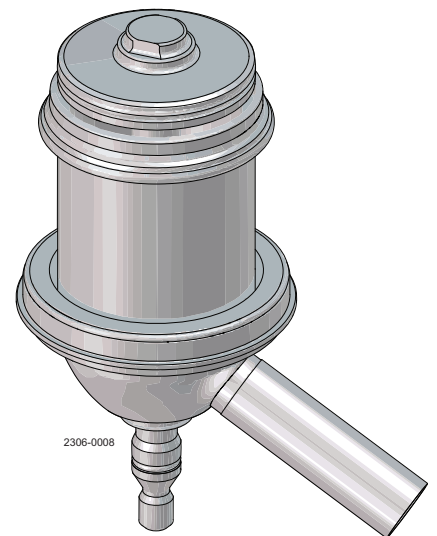
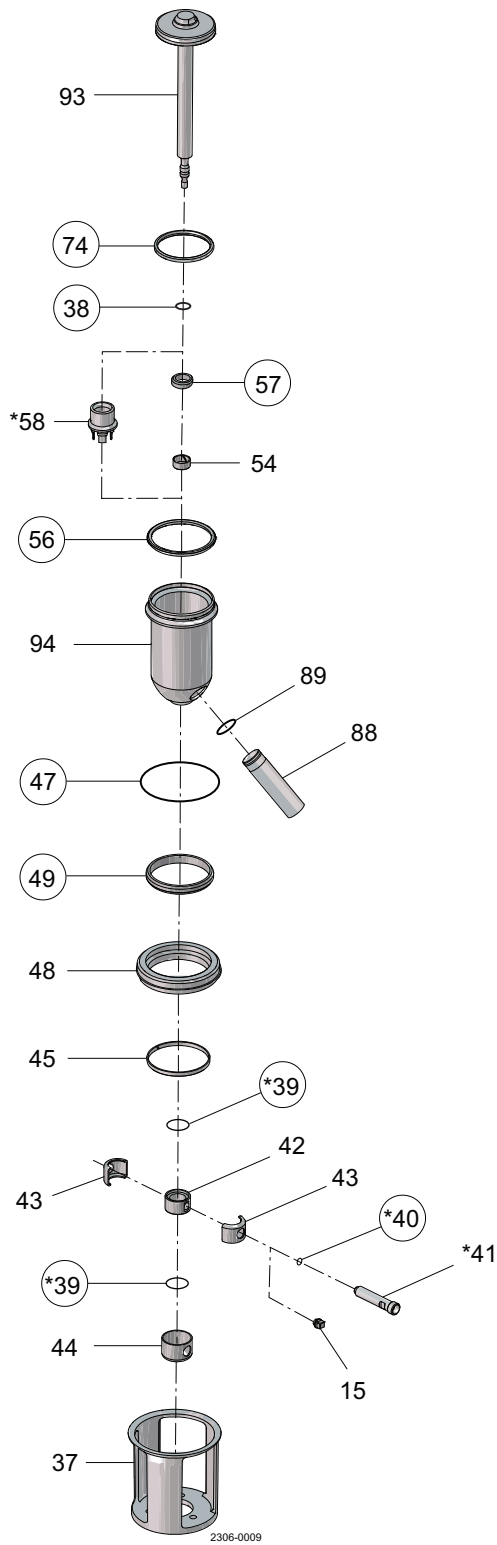
Parts marked with • are included in the service kits.

Note!

If SpiralClean in leakage chamber extra O-rings (2x pos. 39 and 1x pos. 40) is required.  
All FPM service kits are supplied with EPDM seal ring, pos. 74.

900699/1





○ = wear parts

★ = with SpiralClean in leakage chamber

Pos	Qty	Denomination	LongStroke					
			DN/OD 51 DN50 Seat ø53.3	DN/OD 63.5 DN76.1 DN65/DN80 Seat ø81.3	DN/OD 76.1 DN65/DN80 Seat ø81.3	DN/OD 101.6 DN 100 Seat ø100.3	DN 125 Seat ø115.3	DN 150 Seat ø115.3
<b>Spindle liner</b>								
15	1	Plug	9613414101	9613414101	9613414101	9613414101	9613414101	9613414101
42	1	Spindle liner	9613011601	9613009001	9613009001	9613009001	9613009001	9613009001
43	2	Clamp	9613011801	9613009201	9613009201	9613009201	9613009201	9613009201
44	1	Lock	9613011701	9613009101	9613009101	9613009101	9613009101	9613009101
<b>Extra parts if SpiralClean in vent cavity</b>								
39	2	O-ring, EPDM	9611993492	9611993493	9611993493	9611993493	9611993493	9611993493
40	1	O-ring, EPDM	9611993119	9611993119	9611993119	9611993119	9611993119	9611993119
41	1	Flushing tube	3135710172	3135710172	3135710172	3135710172	3135710172	3135710172
58	1	Spray nozzle, PVDF	9613098801	9613098901	9613098901	9613098901	9613098901	9613098901
<b>Sealing element</b>								
45	1	Guide ring	9613008413	9613008414	9613008414	9613008420	9613008415	9613008415
47	•	O-ring, EPDM	9611993632	9611993636	9611993636	9611993640	9611993644	9611993644
	•	O-ring, NBR	9611993633	9611993637	9611993637	9611993641	9611993645	9611993645
	•	O-ring, FPM	9611993634	9611993638	9611993638	9611993642	9611993646	9611993646
	•	O-ring, HNBR	9611993635	9611993639	9611993639	9611993643	9611993647	9611993647
48	1	Sealing element	9613014202	9613006402	9613006402	9613066001	9613017002	9613017002
49	•	Lip seal, EPDM	9613008521	9613008526	9613008526	9613008548	9613008531	9613008531
	•	Lip seal, NBR	9613008522	9613008527	9613008527	9613008549	9613008532	9613008532
	•	Lip seal, FPM	9613008523	9613008528	9613008528	9613008550	9613008533	9613008533
	•	Lip seal, HNBR	9613008524	9613008529	9613008529	9613008551	9613008534	9613008534
<b>Upper plug</b>								
54	1	Guide ring, PTFE	9613008401	9613008402	9613008402	9613008402	9613008402	9613008402
56	•	Seal ring, EPDM	9613095106	9613095109	9613095109	9613095119	9613095112	9613095112
	•	Seal ring, NBR	9613095114	9613095115	9613095115	9613095120	9613095116	9613095116
	•	Seal ring, FPM	9613095105	9613095108	9613095108	9613095118	9613095111	9613095111
	•	Seal ring, HNBR	9613095104	9613095107	9613095107	9613095117	9613095110	9613095110
57	•	Lip seal, EPDM	9613008706	9613008711	9613008711	9613008711	9613008711	9613008711
	•	Lip seal, NBR	9613008707	9613008712	9613008712	9613008712	9613008712	9613008712
	•	Lip seal, FPM	9613008708	9613008713	9613008713	9613008713	9613008713	9613008713
	•	Lip seal, HNBR	9613008709	9613008714	9613008714	9613008714	9613008714	9613008714
88	Δ	Pipe for balance plug, *	9615248501	9615248502	9615248502	9615248502	9615248502	9615248502
		Pipe for balance plug, **	9613098101	9613098102	9613098102	9613098102	9613098102	9613098102
89	Δ•	O-ring, EPDM, *	9611995937	9611995938	9611995938	9611995938	9611995938	9611995938
	•	O-ring, EPDM, **	9611994603	9611994600	9611994600	9611994600	9611994600	9611994600
94	Δ	Balance plug, *	9615248701	9615248801	9615248801	9615248901	9615249001	9615249002
		Balance plug, **	9613096301	9613096401	9613096401	9613096501	9613096601	9613096602
<b>Lower plug</b>								
38	•	O-ring, EPDM	9611993555	9611993572	9611993572	9611993572	9611993572	9611993572
74	•	Seal ring, EPDM	9613095206	9613095209	9613095209	9613095219	9613095212	9613095212
	•	Seal ring, NBR	9613095214	9613095215	9613095215	9613095220	9613095216	9613095216
	•	Seal ring, FPM - Alfa Laval recommends EPDM	9613095205	9613095208	9613095208	9613095218	9613095211	9613095211
	•	Seal ring, HNBR	9613095204	9613095207	9613095207	9613095217	9613095210	9613095210
93	1	Tank plug	9613096701	9613096801	9613096801	9613096901	9613097001	9613097002

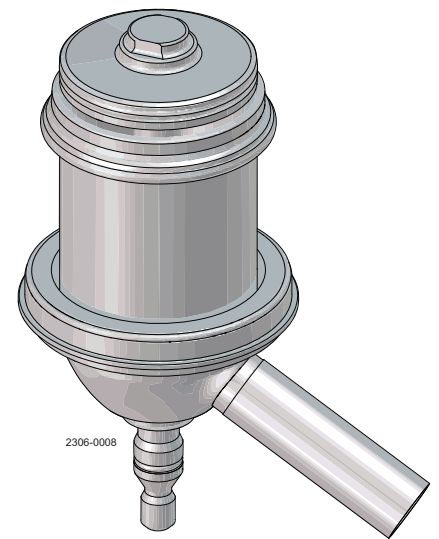
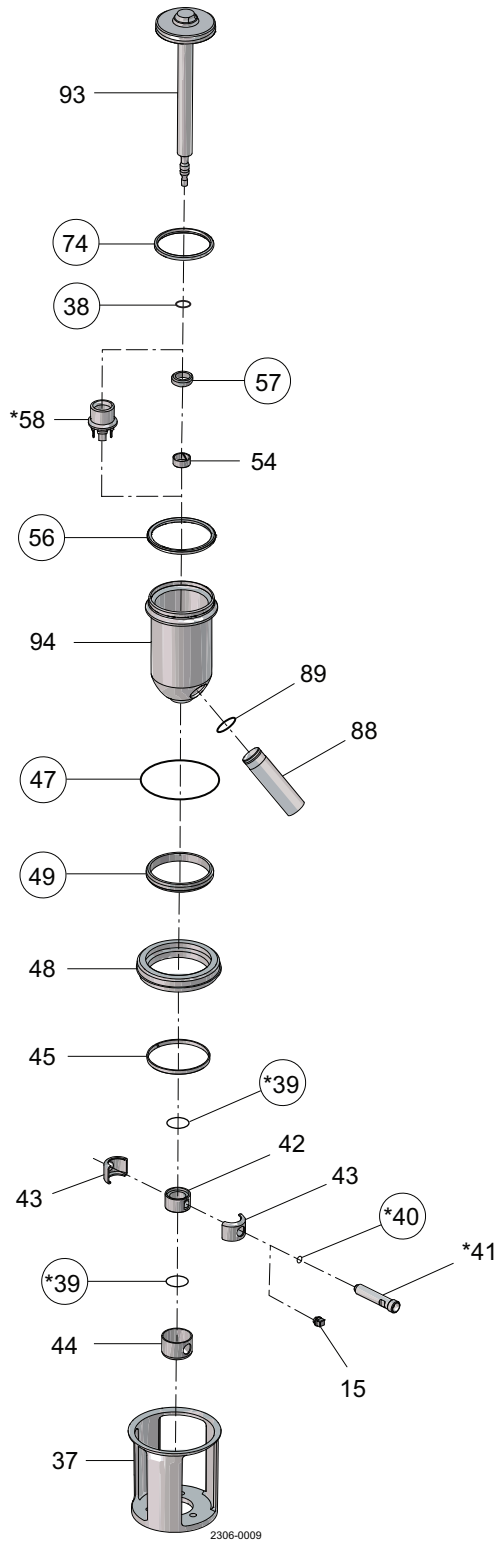
\* = (period 1702 - )

\*\* = (period -1702)

Δ = Upgrade kit - please buy pos. 88, 89 and 94.

Pos. 37, please see section

See note below service kits.



○ = wear parts

★ = with SpiralClean in leakage chamber

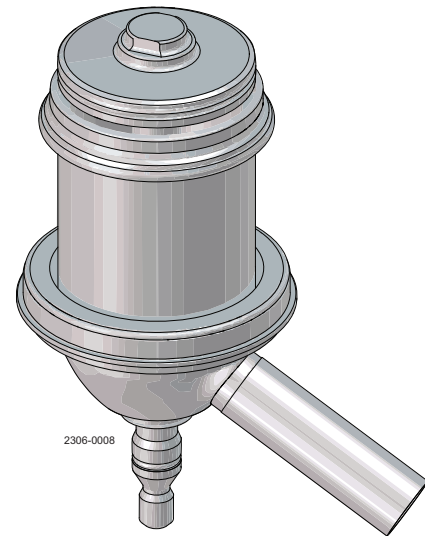
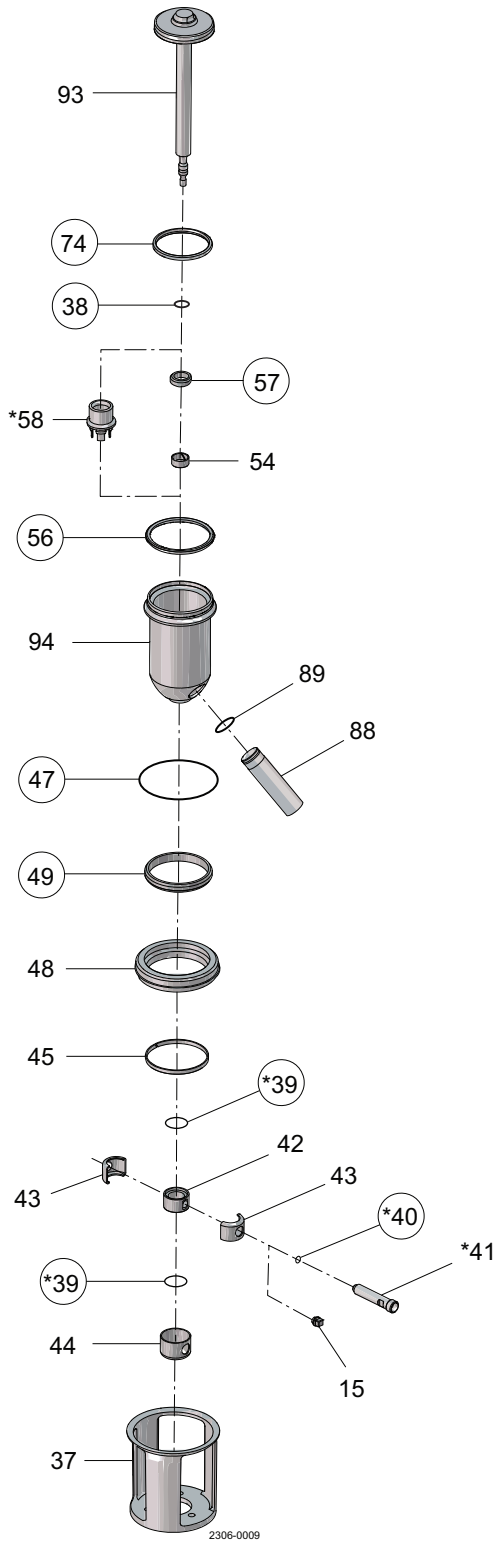
		DN/OD 51 DN50 Seat ø53.3	DN/OD 63.5 DN/OD 76.1 DN65/DN80 Seat ø81.3	LongStroke DN/OD 63.5 DN/OD 76.1 DN65/DN80 Seat ø81.3	DN/OD 101.6 DN 100 Seat ø100.3	DN 125 Seat ø115.3	DN 150 Seat ø115.3
•	Service kit, EPDM . . . . .	9611926433	9611926437	9611926437	9611926441	9611926445	9611926445
•	Service kit, NBR . . . . .	9611926434	9611926438	9611926438	9611926442	9611926446	9611926446
•	Service kit, FPM . . . . .	9611926435	9611926439	9611926439	9611926443	9611926447	9611926447
•	Service kit, HNBR . . . . .	9611926436	9611926440	9611926440	9611926444	9611926448	9611926448

1.8

Parts marked with • are included in the service kits.  
 Δ = Upgrade kit - please buy pos. 88, 89 and 94.

NOTE!  
 If SpiralClean in leakage chamber extra O-rings (2x pos. 39 and 1x pos. 40) is required.  
 All FPM service kits are supplied with EPDM seal ring, pos. 74.

1.8



○ = wear parts  
 ★ = with SpiralClean in leakage chamber

Pos	Qty	Denomination	Long stroke			
			2" Seat ø53.3	2½" + 3" Seat ø81.3	2½" & 3" Seat ø81.3	4" Seat ø100.3
<b>Spindle liner</b>						
15	1	Plug	9613414101	9613414101	9613414101	9613414101
42	1	Spindle liner	9613011601	9613009001	9613009001	9613009001
43	2	Clamp	9613011801	9613009201	9613009201	9613009201
44	1	Lock	9613011701	9613009101	9613009101	9613009101
<b>Extra parts if SpiralClean in vent cavity</b>						
39	2	O-ring, EPDM	9611993492	9611993493	9611993493	9611993493
40	1	O-ring, EPDM	9611993119	9611993119	9611993119	9611993119
41	1	Flushing tube	3135710172	3135710172	3135710172	3135710172
58	1	Spray nozzle, PVDF	9613098801	9613098901	9613098901	9613098901
<b>Sealing element</b>						
45	1	Guide ring	9613008413	9613008414	9613008414	9613008420
47	•	O-ring, EPDM	9611993632	9611993636	9611993636	9611993640
	•	O-ring, NBR	9611993633	9611993637	9611993637	9611993641
	•	O-ring, FPM	9611993634	9611993638	9611993638	9611993642
	•	O-ring, HNBR	9611993635	9611993639	9611993639	9611993643
48	1	Sealing element, blasted	9613014202	9613006402	9613006402	9613066001
	1	Sealing element, polished	9613014204	9613006404	9613006404	9613066002
49	•	Lip seal, EPDM	9613008521	9613008526	9613008526	9613008548
	•	Lip seal, NBR	9613008522	9613008527	9613008527	9613008549
	•	Lip seal, FPM	9613008523	9613008528	9613008528	9613008550
	•	Lip seal, HNBR	9613008524	9613008529	9613008529	9613008551
<b>Upper plug</b>						
54	1	Guide ring, PTFE	9613008401	9613008402	9613008402	9613008402
56	•	Seal ring, EPDM	9613095106	9613095109	9613095109	9613095119
	•	Seal ring, NBR	9613095114	9613095115	9613095115	9613095120
	•	Seal ring, FPM	9613095105	9613095108	9613095108	9613095118
	•	Seal ring, HNBR	9613095104	9613095107	9613095107	9613095117
57	•	Lip seal, EPDM	9613008706	9613008711	9613008711	9613008711
	•	Lip seal, NBR	9613008707	9613008712	9613008712	9613008712
	•	Lip seal, FPM	9613008708	9613008713	9613008713	9613008713
	•	Lip seal, HNBR	9613008709	9613008714	9613008714	9613008714
88	Δ	Pipe for balance plug, *	9615248501	9615248502	9615248502	9615248502
	1	Pipe for balance plug, **	9613098101	9613098102	9613098102	9613098102
89	Δ•	O-ring, EPDM, *	9611995937	9611995938	9611995938	9611995938
	•	O-ring, EPDM, **	9611994603	9611994600	9611994600	9611994600
94	Δ	Balance plug, *	9615248701	9615248801	9615248801	9615248901
	1	Balance plug, **	9613096301	9613096401	9613096401	9613096501
<b>Lower plug</b>						
38	•	O-ring, EPDM	9611993555	9611993572	9611993572	9611993572
74	•	Seal ring, EPDM	9613095206	9613095209	9613095209	9613095219
	•	Seal ring, NBR	9613095214	9613095215	9613095215	9613095220
	•	Seal ring, FPM, Alfa Laval recommends EPDM	9613095205	9613095208	9613095208	9613095218
	•	Seal ring, HNBR	9613095204	9613095207	9613095207	9613095217
93	1	Tank plug	9613096701	9613096801	9613096801	9613096901
<b>Tank flange</b>						
76	•	O-ring, EPDM	9611993632	9611993636	9611993636	9611993640
	•	O-ring, NBR	9611993633	9611993637	9611993637	9611993641
	•	O-ring, FPM	9611993634	9611993638	9611993638	9611993642
	•	O-ring, HNBR	9611993635	9611993639	9611993639	9611993643

\* = (period 1702 - )

\*\* = (period -1702)

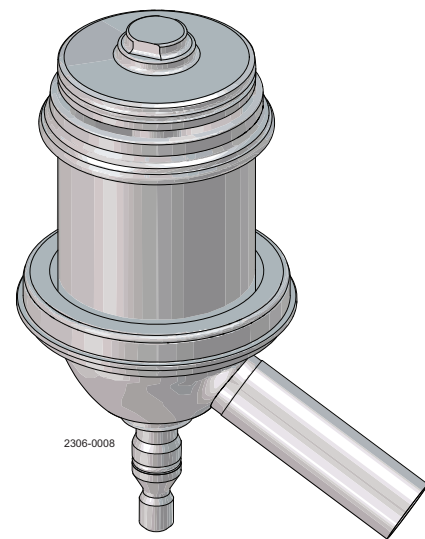
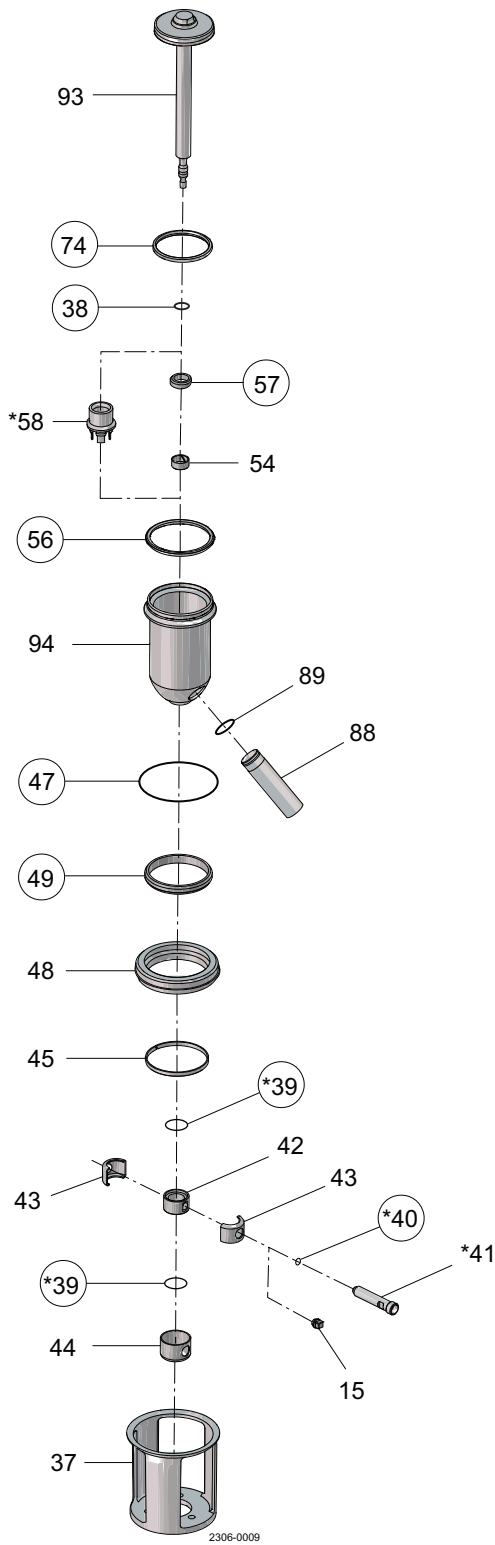
Δ = Upgrade kit - please buy pos. 88, 89 and 94.

Pos. 37, please see section

See note below service kits.

1.8

1.8



○ = wear parts

★ = with SpiralClean in leakage chamber

		2"	2½" + 3"	Long stroke 2½" & 3"	4"
		Seat ø53.3	Seat ø81.3	Seat ø81.3	Seat ø100.3
<b>Service kits</b>					
•	Service kit, EPDM	9611926433	9611926437	9611926437	9611926441
•	Service kit, NBR	9611926434	9611926438	9611926438	9611926442
•	Service kit, FPM	9611926435	9611926439	9611926439	9611926443
•	Service kit, HNBR	9611926436	9611926440	9611926440	9611926444

1.8

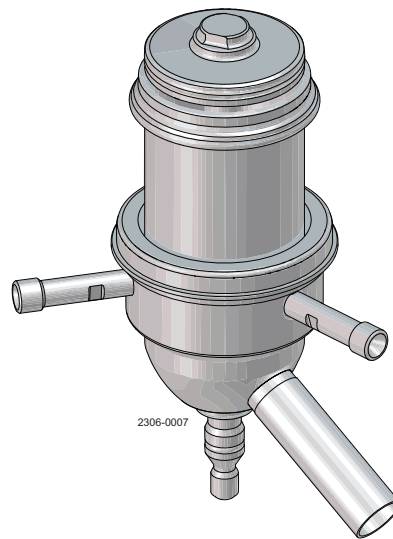
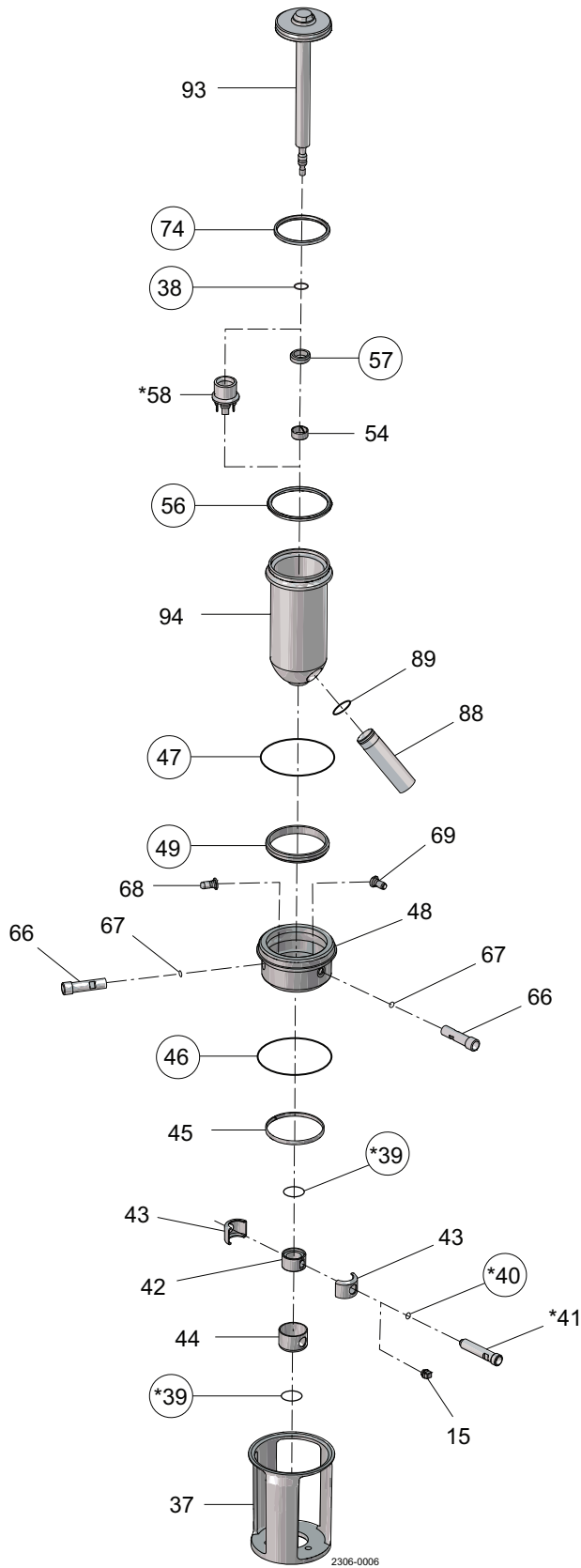
Parts marked with • are included in the service kits.

**NOTE!**

If SpiralClean in leakage chamber extra O-rings (2x pos. 39 and 1x pos. 40) is required.  
 All FPM service kits are supplied with EPDM seal ring, pos. 74.



1.8



○ = wear parts

\* = with SpiralClean in leakage chamber

Pos	Qty	Denomination	LongStroke				
			DN/OD 51 DN50 Seat ø53.3	DN/OD 63.5 DN/OD 76.1 DN65/DN80 Seat ø81.3	DN/OD 76.1 DN/OD 76.1 DN65/DN80 Seat ø81.3	DN/OD 101.6 DN 100 Seat ø100.3	DN 125 Seat ø115.3
<b>Spindle liner</b>							
15	1	Plug	9613414101	9613414101	9613414101	9613414101	9613414101
42	1	Spindle liner	9613011601	9613009001	9613009001	9613009001	9613009001
43	2	Clamp	9613011801	9613009201	9613009201	9613009201	9613009201
44	1	Lock	9613011701	9613009101	9613009101	9613009101	9613009101
<b>Extra parts if SpiralClean in vent cavity</b>							
39	2	O-ring, EPDM	9611993492	9611993493	9611993493	9611993493	9611993493
40	1	O-ring, EPDM	9611993119	9611993119	9611993119	9611993119	9611993119
41	1	Flushing tube	3135710172	3135710172	3135710172	3135710172	3135710172
58	1	Spray nozzle, PVDF	9613098801	9613098901	9613098901	9613098901	9613098901
<b>Sealing element</b>							
45	1	Guide ring	9613008413	9613008414	9613008414	9613008420	9613008415
46	•	O-ring, EPDM	9611993650	9611993651	9611993651	9611994407	9611993652
47	•	O-ring, EPDM	9611993632	9611993636	9611993636	9611993640	9611993644
	•	O-ring, NBR	9611993633	9611993637	9611993637	9611993641	9611993645
	•	O-ring, FPM	9611993634	9611993638	9611993638	9611993642	9611993646
	•	O-ring, HNBR	9611993635	9611993639	9611993639	9611993643	9611993647
48	1	Sealing element	9613049101	9613049201	9613049201	9613065901	9613049401
49	•	Lip seal, EPDM	9613008521	9613008526	9613008526	9613008548	9613008531
	♦	Lip seal, NBR	9613008522	9613008527	9613008527	9613008549	9613008532
	•	Lip seal, FPM	9613008523	9613008528	9613008528	9613008550	9613008533
	•	Lip seal, HNBR	9613008524	9613008529	9613008529	9613008551	9613008534
66	2	Flushing tube	9613007902	9613007903	9613007903	9613007904	9613007905
67	•	O-ring, EPDM	9611993119	9611993119	9611993119	9611993119	9611993119
68	1	Drain	9613008001	9613008001	9613008001	9613008001	9613008001
69	1	Nozzle	9613008002	9613008002	9613008002	9613008002	9613008002
<b>Upper plug</b>							
54	1	Guide ring, PTFE	9613008401	9613008402	9613008402	9613008402	9613008402
56	•	Seal ring, EPDM	9613095106	9613095109	9613095109	9613095119	9613095112
	•	Seal ring, NBR	9613095114	9613095115	9613095115	9613095120	9613095116
	•	Seal ring, FPM	9613095105	9613095108	9613095108	9613095118	9613095111
	•	Seal ring, HNBR	9613095104	9613095107	9613095107	9613095117	9613095110
57	•	Lip seal, EPDM	9613008706	9613008711	9613008711	9613008711	9613008711
	•	Lip seal, NBR	9613008707	9613008712	9613008712	9613008712	9613008712
	•	Lip seal, FPM	9613008708	9613008713	9613008713	9613008713	9613008713
	•	Lip seal, HNBR	9613008709	9613008714	9613008714	9613008714	9613008714
88	Δ	Pipe for balance plug, *	9615248501	9615248502	9615248502	9615248502	9615248502
	•	Pipe for balance plug, **	9613098101	9613098102	9613098102	9613098102	9613098102
89	Δ•	O-ring, EPDM, *	9611995937	9611995938	9611995938	9611995938	9611995938
	•	O-ring, EPDM, **	9611994603	9611994600	9611994600	9611994600	9611994600
94	Δ	Balance plug, *	9615248702	9615248802	9615248802	9615248902	9615249002
	•	Balance plug, **	9613096302	9613096402	9613096402	9613096502	9613096602
<b>Lower plug</b>							
38	•	O-ring, EPDM	9611993555	9611993572	9611993572	9611993572	9611993572
74	•	Seal ring, EPDM	9613095206	9613095209	9613095209	9613095219	9613095212
	•	Seal ring, NBR	9613095214	9613095215	9613095215	9613095220	9613095216
	•	Seal ring, FPM - Alfa Laval recommends					
	•	EPDM	9613095205	9613095208	9613095208	9613095218	9613095211
	•	Seal ring, HNBR	9613095204	9613095207	9613095207	9613095217	9613095210
93	1	Tank plug	9613096702	9613096802	9613096802	9613096902	9613097002

1.8

\* = (period 1702 -)

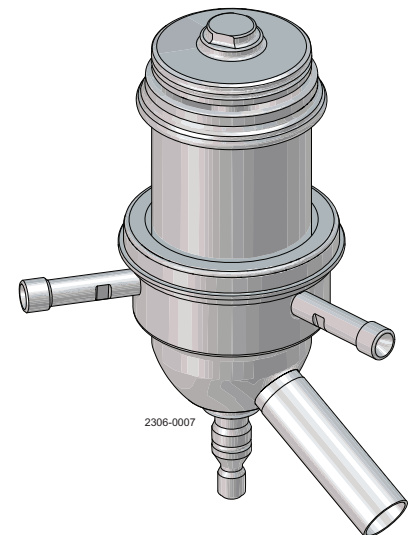
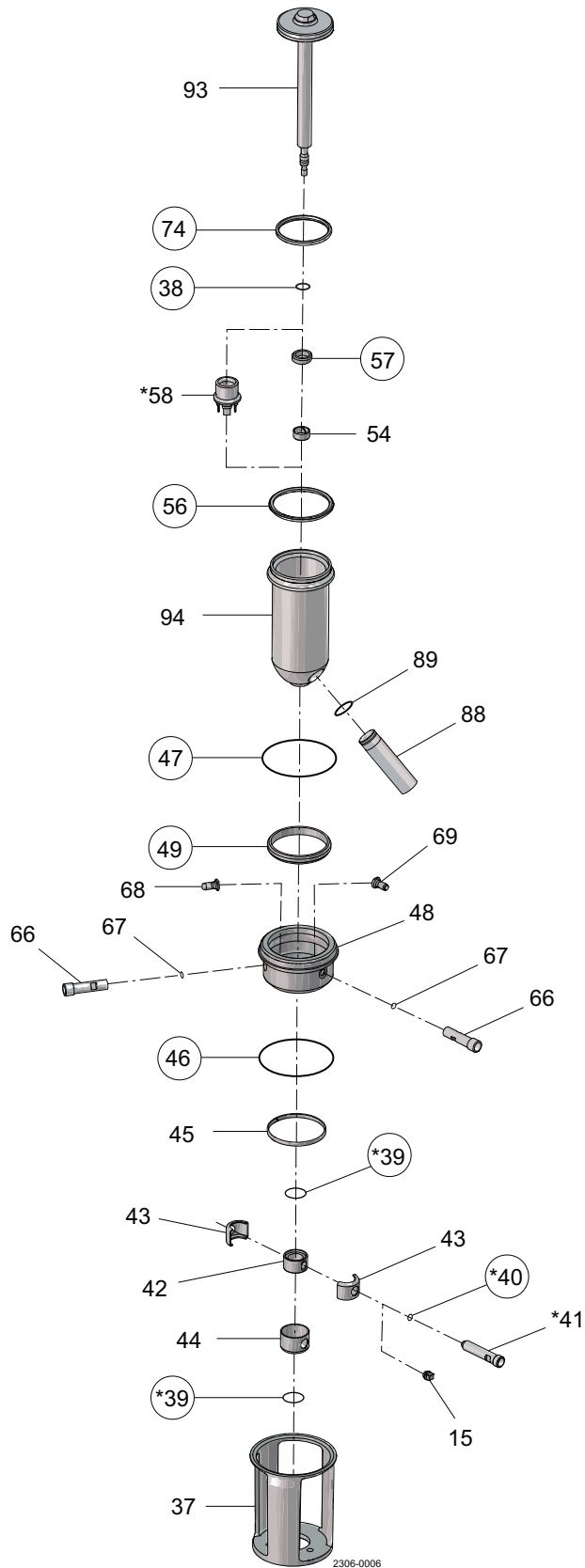
\*\* = (period -1702)

Δ = Upgrade kit - please buy pos. 88, 89 and 94.

Pos. 37, please see section

See note below service kits.

1.8



○ = wear parts

★ = with SpiralClean in leakage chamber

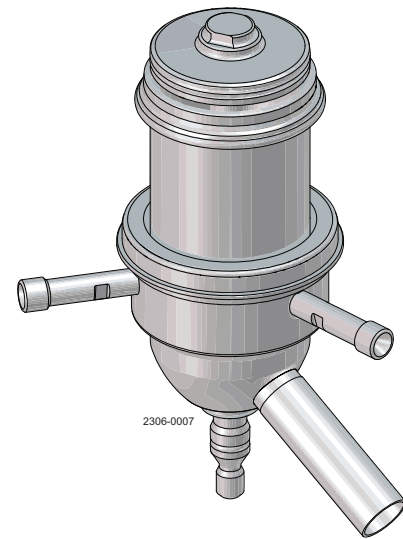
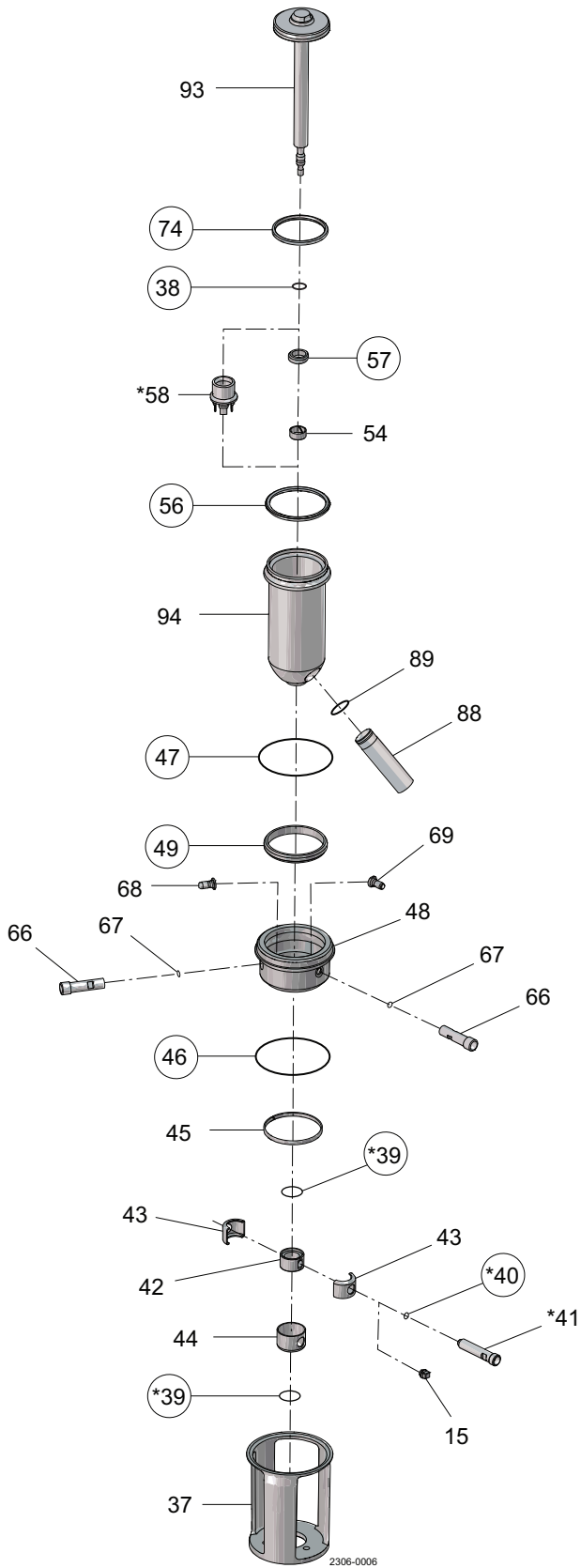
		DN/OD 51 DN50 Seat ø53.3	DN/OD 63.5 DN/OD 76.1 DN65/DN80 Seat ø81.3	LongStroke DN/OD 63.5 DN/OD 76.1 DN65/DN80 Seat ø81.3	DN/OD 101.6 DN 100 Seat ø100.3	DN 125 Seat ø115.3
•	Service kit, EPDM	9611926481	9611926485	9611926485	9611926489	9611926493
•	Service kit, NBR	9611926482	9611926486	9611926486	9611926490	9611926494
•	Service kit, FPM	9611926483	9611926487	9611926487	9611926491	9611926495
•	Service kit, HNBR	9611926484	9611926488	9611926488	9611926492	9611926496

1.8

Parts marked with • are included in the service kits.  
 Δ = Upgrade kit - please buy pos. 88, 89 and 94.

NOTE!  
 If SpiralClean in leakage chamber extra O-rings (2x pos. 39 and 1x pos. 40) is required.  
 All FPM service kits are supplied with EPDM seal ring, pos. 74.

1.8



○ = wear parts

★ = with SpiralClean in leakage chamber

Pos	Qty	Denomination	Long stroke			
			2" Seat ø53.3	2½" + 3" Seat ø81.3	2½" & 3" Seat ø81.3	4" Seat ø100.3
<b>Spindle liner</b>						
15	1	Plug	9613414101	9613414101	9613414101	9613414101
42	1	Spindle liner	9613011601	9613009001	9613009001	9613009001
43	2	Clamp	9613011801	9613009201	9613009201	9613009201
44	1	Lock	9613011701	9613009101	9613009101	9613009101
<b>Extra parts if SpiralClean in vent cavity</b>						
39	2	O-ring, EPDM	9611993492	9611993493	9611993493	9611993493
40	1	O-ring, EPDM	9611993119	9611993119	9611993119	9611993119
41	1	Flushing tube	3135710172	3135710172	3135710172	3135710172
58	1	Spray nozzle, PVDF	9613098801	9613098901	9613098901	9613098901
<b>Sealing element</b>						
45	1	Guide ring	9613008413	9613008414	9613008414	9613008420
46	•	O-ring, EPDM	9611993650	9611993651	9611993651	9611994407
47	•	O-ring, EPDM	9611993632	9611993636	9611993636	9611993640
•	•	O-ring, NBR	9611993633	9611993637	9611993637	9611993641
•	•	O-ring, FPM	9611993634	9611993638	9611993638	9611993642
•	•	O-ring, HNBR	9611993635	9611993639	9611993639	9611993643
48	1	Sealing element, blasted	9613049101	9613049201	9613049201	9613065901
•	1	Sealing element, polished	9613049102	9613049202	9613049202	9613065902
49	•	Lip seal, EPDM	9613008521	9613008526	9613008526	9613008548
•	•	Lip seal, NBR	9613008522	9613008527	9613008527	9613008549
•	•	Lip seal, FPM	9613008523	9613008528	9613008528	9613008550
•	•	Lip seal, HNBR	9613008524	9613008529	9613008529	9613008551
66	2	Flushing tube	9613007902	9613007903	9613007903	9613007904
67	•	O-ring, EPDM	9611993119	9611993119	9611993119	9611993119
68	1	Drain	9613008001	9613008001	9613008001	9613008001
69	1	Nozzle	9613008002	9613008002	9613008002	9613008002
<b>Upper plug</b>						
54	1	Guide ring, PTFE	9613008401	9613008402	9613008402	9613008402
56	•	Seal ring, EPDM	9613095106	9613095109	9613095109	9613095119
•	•	Seal ring, NBR	9613095114	9613095115	9613095115	9613095120
•	•	Seal ring, FPM	9613095105	9613095108	9613095108	9613095118
•	•	Seal ring, HNBR	9613095104	9613095107	9613095107	9613095117
57	•	Lip seal, EPDM	9613008706	9613008711	9613008711	9613008711
•	•	Lip seal, NBR	9613008707	9613008712	9613008712	9613008712
•	•	Lip seal, FPM	9613008708	9613008713	9613008713	9613008713
•	•	Lip seal, HNBR	9613008709	9613008714	9613008714	9613008714
88	Δ	Pipe for balance plug, *	9615248501	9615248502	9615248502	9615248502
•	1	Pipe for balance plug, **	9613098101	9613098102	9613098102	9613098102
89	Δ•	O-ring, EPDM, *	9611995937	9611995938	9611995938	9611995938
•	•	O-ring, EPDM, **	9611994603	9611994600	9611994600	9611994600
94	Δ	Balance plug, *	9615248702	9615248802	9615248802	9615248902
•	1	Balance plug, **	9613096302	9613096402	9613096402	9613096502
<b>Lower plug</b>						
38	•	O-ring, EPDM	9611993555	9611993572	9611993572	9611993572
74	•	Seal ring, EPDM	9613095206	9613095209	9613095209	9613095219
•	•	Seal ring, NBR	9613095214	9613095215	9613095215	9613095220
•	•	Seal ring, FPM, Alfa Laval recommends EPDM	9613095205	9613095208	9613095208	9613095218
•	•	Seal ring, HNBR	9613095204	9613095207	9613095207	9613095217
93	1	Tank plug	9613096702	9613096802	9613096802	9613096902
<b>Stub flange</b>						
91	•	O-ring, EPDM	9611994606	9611994610	9611994610	9611994614
•	•	O-ring, NBR	9611994607	9611994611	9611994611	9611994615
•	•	O-ring, FPM	9611994608	9611994612	9611994612	9611994616
•	•	O-ring, HNBR	9611994609	9611994613	9611994613	9611994617

\* = (period 1702 - )

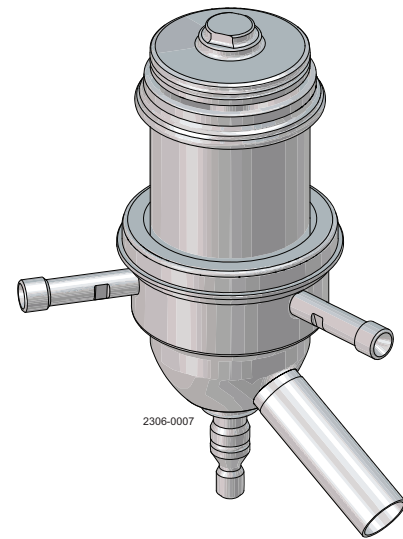
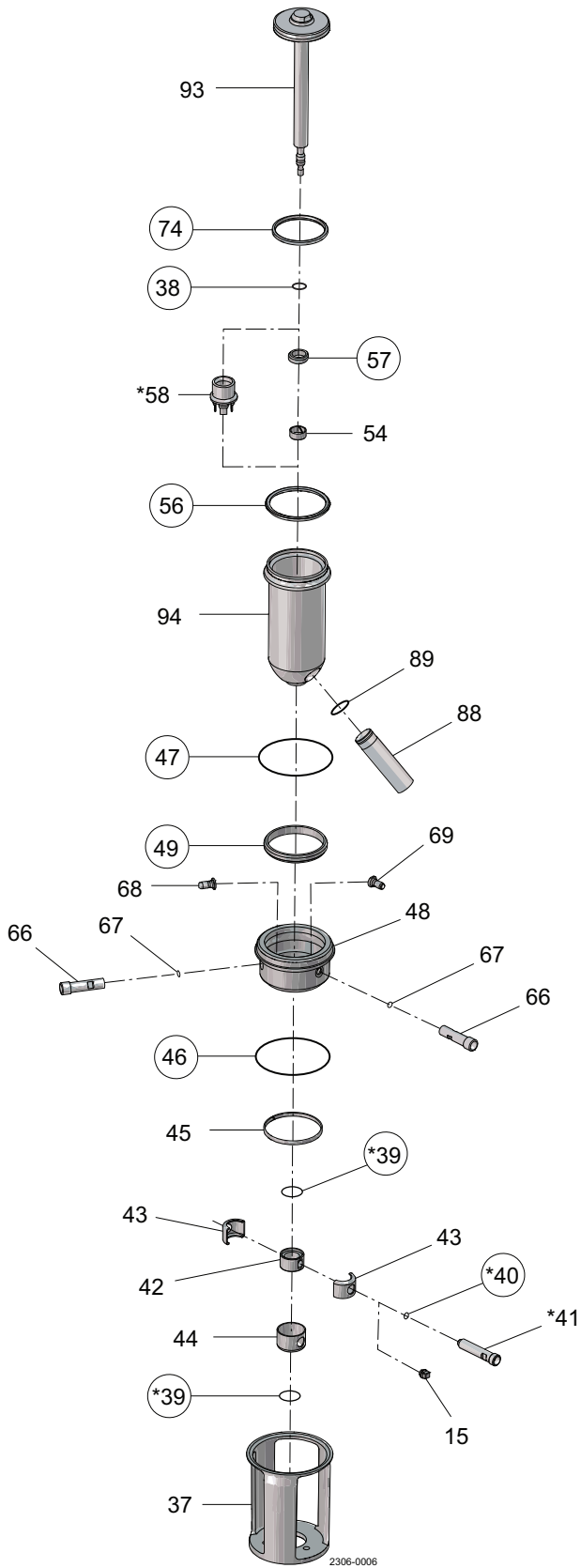
\*\* = (period -1702)

Δ = Upgrade kit - please buy pos. 88, 89 and 94.

Pos. 37, please see section

See note below service kits.

1.8



○ = wear parts

★ = with SpiralClean in leakage chamber

	2"	2½" + 3"	Long stroke 2½" & 3"	4"
	Seat ø53.3	Seat ø81.3	Seat ø81.3	Seat ø100.3
<b>Service kits</b>				
• Service kit, EPDM	9611926481	9611926485	9611926485	9611926489
• Service kit, NBR	9611926482	9611926486	9611926486	9611926490
• Service kit, FPM	9611926483	9611926487	9611926487	9611926491
• Service kit, HNBR	9611926484	9611926488	9611926488	9611926492

1.8

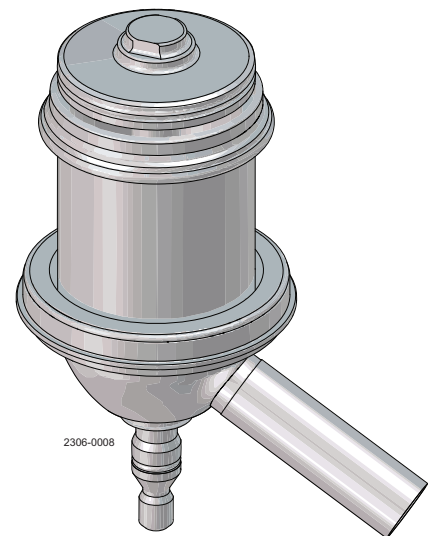
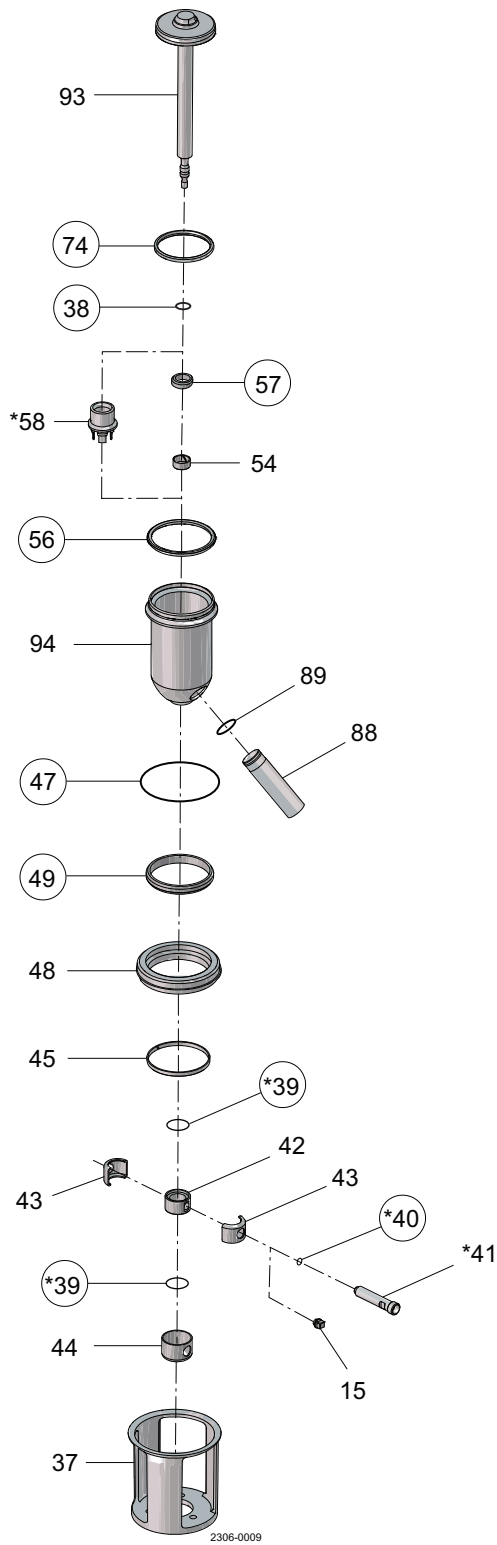
Parts marked with • are included in the service kits.

**NOTE!**

If SpiralClean in leakage chamber extra O-rings (2x pos. 39 and 1x pos. 40) is required.  
All FPM service kits are supplied with EPDM seal ring, pos. 74.



1.8



○ = wear parts

★ = with SpiralClean in leakage chamber

Pos	Qty	Denomination	LongStroke					DN 125 Seat ø115.3	DN 150 Seat ø115.3
			DN/OD 51 DN50 Seat ø53.3	DN/OD 63.5 DN 65 DN/OD 76.1 DN65/DN80 Seat ø81.3	DN/OD 63.5 DN 65 DN/OD 76.1 DN65/DN80 Seat ø81.3	DN/OD 76.1 DN/OD 101.6 DN 100 Seat ø100.3	DN/OD 101.6 DN 100 Seat ø100.3		
<b>Spindle liner</b>									
15	1	Plug	9613414101	9613414101	9613414101	9613414101	9613414101	9613414101	
42	1	Spindle liner	9613011601	9613009001	9613009001	9613009001	9613009001	9613009001	
43	2	Clamp	9613011801	9613009201	9613009201	9613009201	9613009201	9613009201	
44	1	Lock	9613011701	9613009101	9613009101	9613009101	9613009101	9613009101	
<b>Extra parts if SpiralClean in vent cavity</b>									
39	2	O-ring, EPDM	9611993492	9611993493	9611993493	9611993493	9611993493	9611993493	
40	1	O-ring, EPDM	9611993119	9611993119	9611993119	9611993119	9611993119	9611993119	
41	1	Flushing tube	3135710172	3135710172	3135710172	3135710172	3135710172	3135710172	
58	1	Spray nozzle, PVDF	9613098801	9613098901	9613098901	9613098901	9613098901	9613098901	
<b>Sealing element</b>									
45	1	Guide ring	9613008413	9613008414	9613008414	9613008420	9613008415	9613008415	
47	1	O-ring, EPDM	9611993632	9611993636	9611993636	9611993640	9611993644	9611993644	
	1	O-ring, NBR	9611993633	9611993637	9611993637	9611993641	9611993645	9611993645	
	1	O-ring, FPM	9611993634	9611993638	9611993638	9611993642	9611993646	9611993646	
	1	O-ring, HNBR	9611993635	9611993639	9611993639	9611993643	9611993647	9611993647	
48	1	Ssealing element	9613014202	9613006402	9613006402	9613066001	9613017002	9613017002	
49	1	Lip seal, EPDM	9613008521	9613008526	9613008526	9613008548	9613008531	9613008531	
	1	Lip seal, NBR	9613008522	9613008527	9613008527	9613008549	9613008532	9613008532	
	1	Lip seal, FPM	9613008523	9613008528	9613008528	9613008550	9613008533	9613008533	
	1	Lip seal, HNBR	9613008524	9613008529	9613008529	9613008551	9613008534	9613008534	
<b>Upper plug</b>									
54	1	Guide ring, PTFE	9613008401	9613008402	9613008402	9613008402	9613008402	9613008402	
56	1	Seal ring, EPDM	9613095106	9613095109	9613095109	9613095119	9613095112	9613095112	
	1	Seal ring, NBR	9613095114	9613095115	9613095115	9613095120	9613095116	9613095116	
	1	Seal ring, FPM	9613095105	9613095108	9613095108	9613095118	9613095111	9613095111	
	1	Seal ring, HNBR	9613095104	9613095107	9613095107	9613095117	9613095110	9613095110	
57	1	Lip seal, EPDM	9613008706	9613008711	9613008711	9613008711	9613008711	9613008711	
	1	Lip seal, NBR	9613008707	9613008712	9613008712	9613008712	9613008712	9613008712	
	1	Lip seal, FPM	9613008708	9613008713	9613008713	9613008713	9613008713	9613008713	
	1	Lip seal, HNBR	9613008709	9613008714	9613008714	9613008714	9613008714	9613008714	
88	Δ	Pipe for balance plug, *	9615248501	9615248502	9615248502	9615248502	9615248502	9615248502	
	1	Pipe for balance plug, **	9613098101	9613098102	9613098102	9613098102	9613098102	9613098102	
89	Δ•	O-ring, EPDM, *	9611995937	9611995938	9611995938	9611995938	9611995938	9611995938	
	1	O-ring, EPDM, **	9611994603	9611994600	9611994600	9611994600	9611994600	9611994600	
94	Δ	Balance plug, *	9615248701	9615248801	9615248801	9615248901	9615249001	9615249002	
	1	Balance plug, **	9613096301	9613096401	9613096401	9613096501	9613096601	9613096602	
<b>Lower plug</b>									
38	•	O-ring, EPDM	9611993555	9611993572	9611993572	9611993572	9611993572	9611993572	
74	•	Seal ring, EPDM	9613095206	9613095209	9613095209	9613095219	9613095212	9613095212	
	1	Seal ring, NBR	9613095214	9613095215	9613095215	9613095220	9613095216	9613095216	
	1	Seal ring, FPM Alfa Laval recommends EPDM	9613095205	9613095208	9613095208	9613095218	9613095211	9613095211	
	1	Seal ring, HNBR	9613095204	9613095207	9613095207	9613095217	9613095210	9613095210	
93	1	Tank plug	9613096701	9613096801	9613096801	9613096901	9613097001	9613097002	
<b>Stubflange</b>									
91	•	O-ring, EPDM	9611994606	9611994610	9611994610	9611994614	9611993640	9611993640	
	1	O-ring, NBR	9611994607	9611994611	9611994611	9611994615	9611993641	9611993641	
	1	O-ring, FPM	9611994608	9611994612	9611994612	9611994616	9611993642	9611993642	
	1	O-ring, HNBR	9611994609	9611994613	9611994613	9611994617	9611993643	9611993643	

1.8

\* = (period 1702 - )

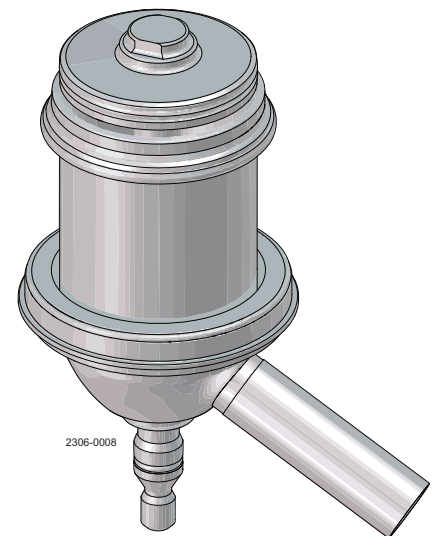
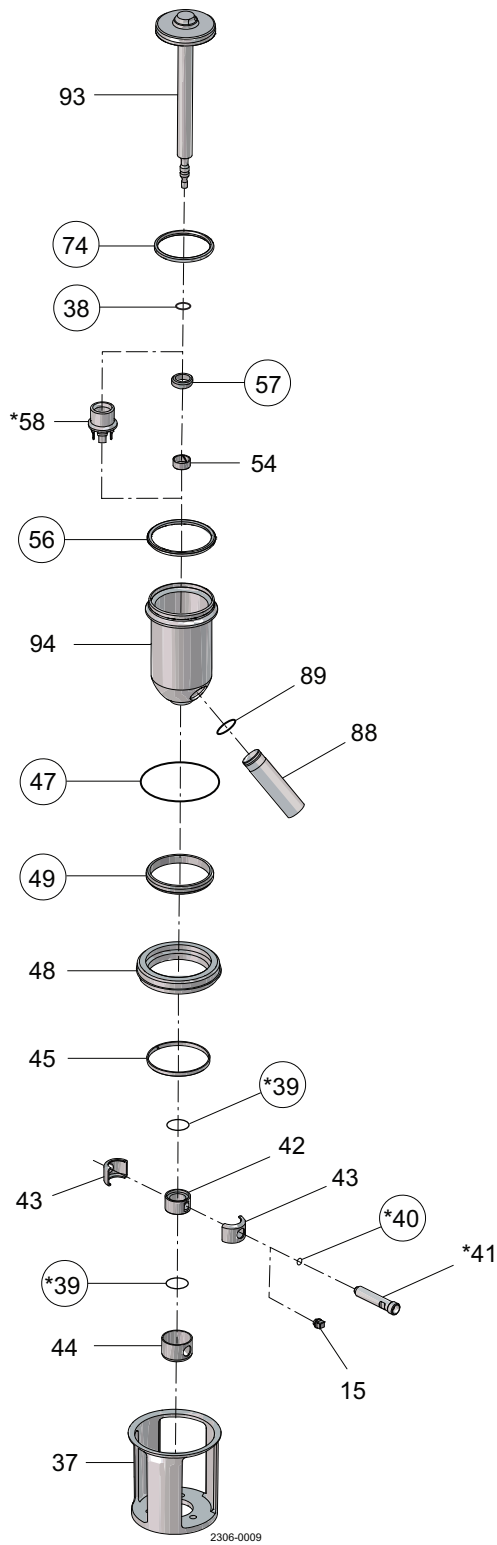
\*\* = (period -1702)

Δ = Upgrade kit - please buy pos. 88, 89 and 94.

Pos. 37, please see section

See note below service kits.

1.8



○ = wear parts

★ = with SpiralClean in leakage chamber

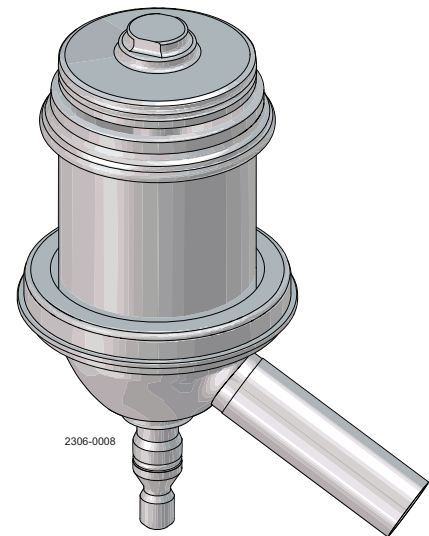
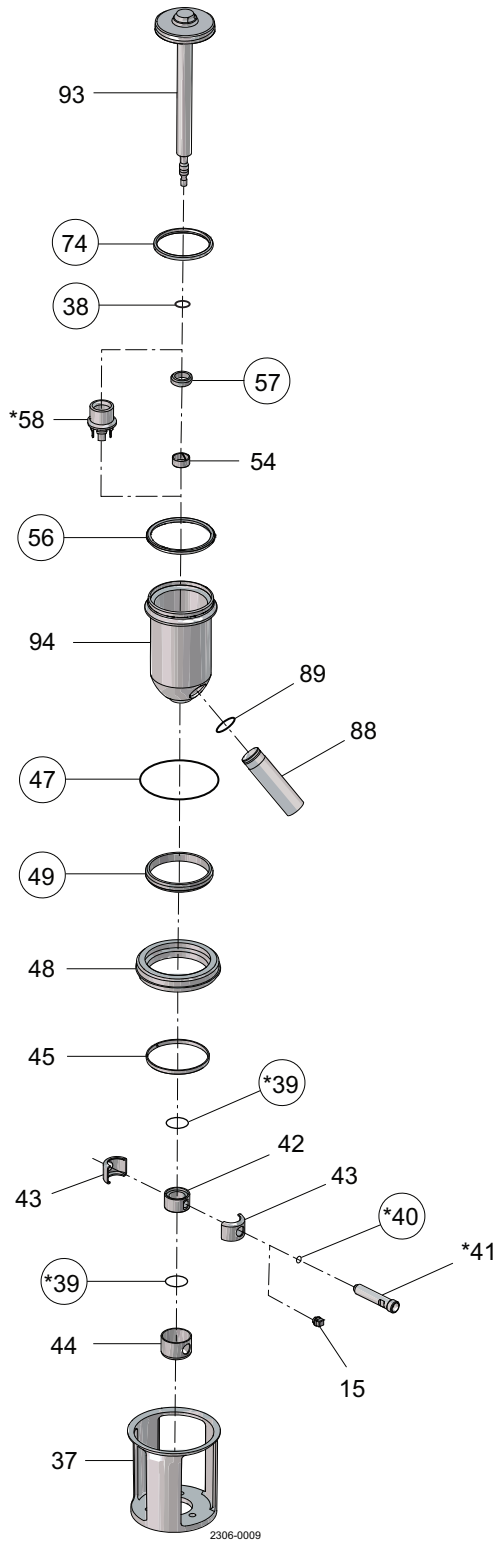
		DN/OD 51 DN50 Seat ø53.3	DN/OD 63.5 DN65 DN/OD 76.1 DN65/DN80 Seat ø81.3	LongStroke DN/OD 63.5 DN65 DN/OD 76.1 DN65/DN80 Seat ø81.3	DN/OD 101.6 DN 100 Seat ø100.3	DN 125 Seat ø115.3	DN 150 Seat ø115.3
•	Service kit, EPDM . . . . .	9611926465	9611926469	9611926469	9611926473	9611926477	9611926477
•	Service kit, NBR . . . . .	9611926466	9611926470	9611926470	9611926474	9611926478	9611926478
•	Service kit, FPM . . . . .	9611926467	9611926471	9611926471	9611926475	9611926479	9611926479
•	Service kit, HNBR . . . . .	9611926468	9611926472	9611926472	9611926476	9611926480	9611926480

1.8

Parts marked with • are included in the service kits.  
 Δ = Upgrade kit - please buy pos. 88, 89 and 94.

NOTE!  
 If SpiralClean in leakage chamber extra O-rings (2x pos. 39 and 1x pos. 40) is required.  
 All FPM service kits are supplied with EPDM seal ring, pos. 74.

1.8



○ = wear parts

★ = with SpiralClean in leakage chamber

Pos	Qty	Denomination	Long stroke			
			2" Seat ø53.3	2½" + 3" Seat ø81.3	2½" & 3" Seat ø81.3	4" Seat ø100.3
<b>Spindle liner</b>						
15	1	Plug	9613414101	9613414101	9613414101	9613414101
42	1	Spindle liner	9613011601	9613009001	9613009001	9613009001
43	2	Clamp	9613011801	9613009201	9613009201	9613009201
44	1	Lock	9613011701	9613009101	9613009101	9613009101
<b>Extra parts if SpiralClean in vent cavity</b>						
39	2	O-ring, EPDM	9611993492	9611993493	9611993493	9611993493
40	1	O-ring, EPDM	9611993119	9611993119	9611993119	9611993119
41	1	Flushing tube	3135710172	3135710172	3135710172	3135710172
58	1	Spray nozzle, PVDF	9613098801	9613098901	9613098901	9613098901
<b>Sealing element</b>						
45	1	Guide ring	9613008413	9613008414	9613008414	9613008420
47	•	O-ring, EPDM	9611993632	9611993636	9611993636	9611993640
	•	O-ring, NBR	9611993633	9611993637	9611993637	9611993641
	•	O-ring, FPM	9611993634	9611993638	9611993638	9611993642
	•	O-ring, HNBR	9611993635	9611993639	9611993639	9611993643
48	1	Sealing element, blasted	9613014202	9613006402	9613006402	9613066001
	1	Sealing element, polished	9613014204	9613006404	9613006404	9613066002
49	•	Lip seal, EPDM	9613008521	9613008526	9613008526	9613008548
	•	Lip seal, NBR	9613008522	9613008527	9613008527	9613008549
	•	Lip seal, FPM	9613008523	9613008528	9613008528	9613008550
	•	Lip seal, HNBR	9613008524	9613008529	9613008529	9613008551
<b>Upper plug</b>						
54	1	Guide ring, PTFE	9613008401	9613008402	9613008402	9613008402
56	•	Seal ring, EPDM	9613095106	9613095109	9613095109	9613095119
	•	Seal ring, NBR	9613095114	9613095115	9613095115	9613095120
	•	Seal ring, FPM	9613095105	9613095108	9613095108	9613095118
	•	Seal ring, HNBR	9613095104	9613095107	9613095107	9613095117
57	•	Lip seal, EPDM	9613008706	9613008711	9613008711	9613008711
	•	Lip seal, NBR	9613008707	9613008712	9613008712	9613008712
	•	Lip seal, FPM	9613008708	9613008713	9613008713	9613008713
	•	Lip seal, HNBR	9613008709	9613008714	9613008714	9613008714
88	Δ	Pipe for balance plug, *	9615248501	9615248502	9615248502	9615248502
	1	Pipe for balance plug, **	9613098101	9613098102	9613098102	9613098102
89	Δ•	O-ring, EPDM, *	9611995937	9611995938	9611995938	9611995938
	•	O-ring, EPDM, **	9611994603	9611994600	9611994600	9611994600
94	Δ	Balance plug, *	9615248701	9615248801	9615248801	9615248901
	1	Balance plug, **	9613096301	9613096401	9613096401	9613096501
<b>Lower plug</b>						
38	•	O-ring, EPDM	9611993555	9611993572	9611993572	9611993572
74	•	Seal ring, EPDM	9613095206	9613095209	9613095209	9613095219
	•	Seal ring, NBR	9613095214	9613095215	9613095215	9613095220
	•	Seal ring, FPM, Alfa Laval recommends EPDM	9613095205	9613095208	9613095208	9613095218
	•	Seal ring, HNBR	9613095204	9613095207	9613095207	9613095217
93	1	Tank plug	9613096701	9613096801	9613096801	9613096901
<b>Stubflange</b>						
91	•	O-ring, EPDM	9611994606	9611994610	9611994610	9611994614
	•	O-ring, NBR	9611994607	9611994611	9611994611	9611994615
	•	O-ring, FPM	9611994608	9611994612	9611994612	9611994616
	•	O-ring, HNBR	9611994609	9611994613	9611994613	9611994617

\* = (period 1702 - )

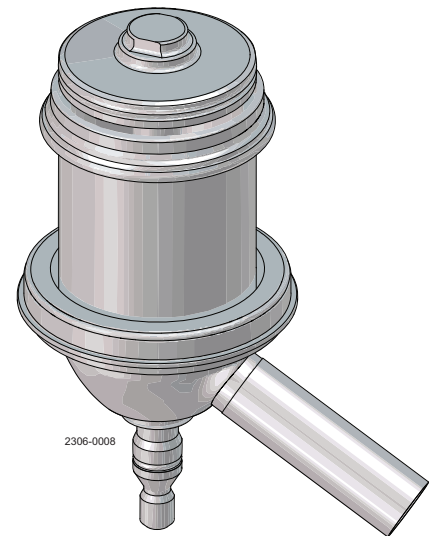
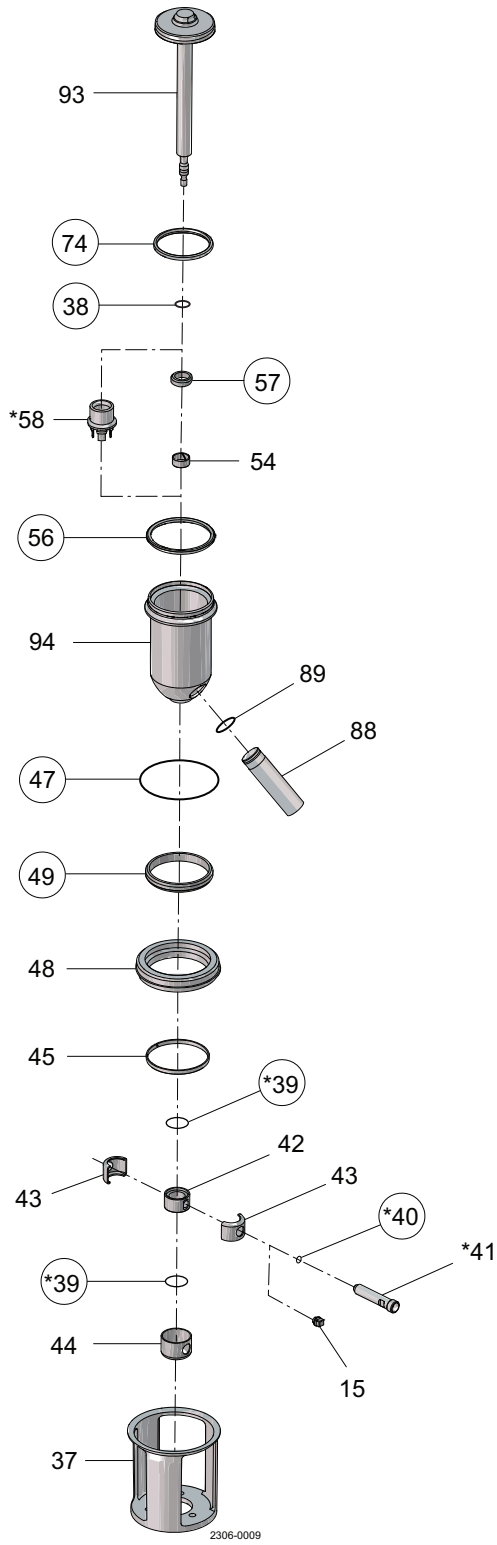
\*\* = (period -1702)

Δ = Upgrade kit - please buy pos. 88, 89 and 94.

Pos. 37, please see section

See note below service kits.

1.8



○ = wear parts  
 ★ = with SpiralClean in leakage chamber

		2"	2½" + 3"	Long stroke 2½" & 3"	4"
		Seat ø53.3	Seat ø81.3	Seat ø81.3	Seat ø100.3
<b>Service kits</b>					
•	Service kit, EPDM	9611926433	9611926437	9611926437	9611926441
•	Service kit, NBR	9611926434	9611926438	9611926438	9611926442
•	Service kit, FPM	9611926435	9611926439	9611926439	9611926443
•	Service kit, HNBR	9611926436	9611926440	9611926440	9611926444

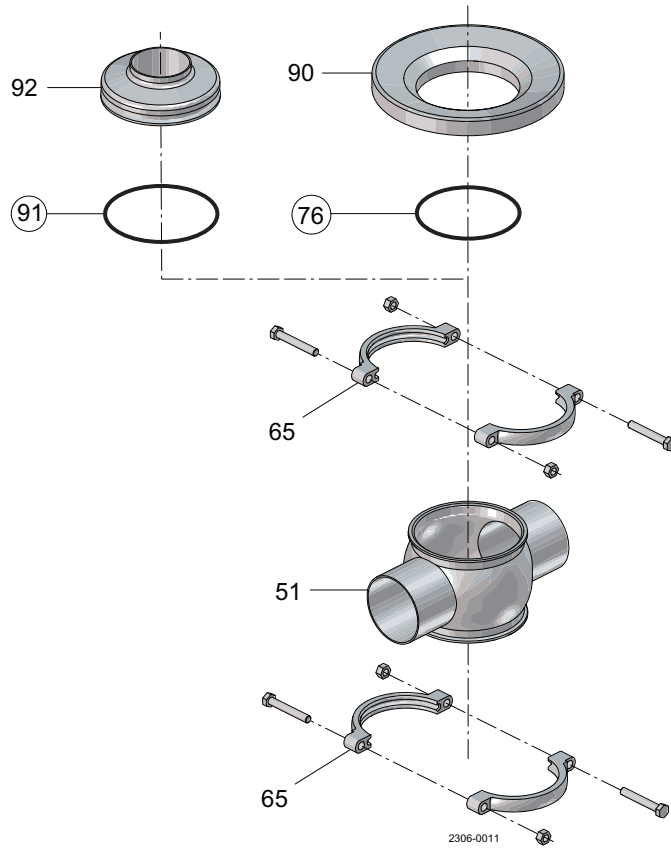
1.8

Parts marked with • are included in the service kits.

Note!

f SpiralClean in leakage chamber extra O-rings (2x pos. 39 and 1x pos. 40) is required.  
All FPM service kits are supplied with EPDM seal ring, pos. 74.



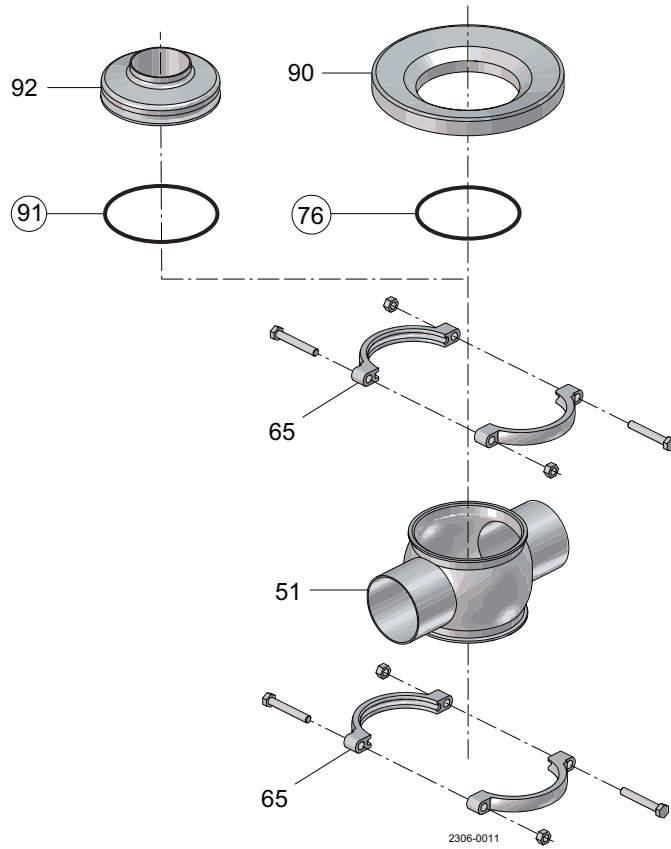


Pos	Qty	Denomination	DN/OD 51 seat ø53.3	DN 50 seat ø53.3	DN/OD 63.5 seat ø81.3	DN 65 seat ø81.3	DN/OD 76.1 seat ø81.3	DN 80 seat ø81.3
37	1	Intermediate piece, setup12	9613097501	9613097502	9613097601	9613097602	9613097603	9613097604
	1	Intermediate piece, setup 6	9613097503	9613097504	9613097605	9613097606	9613097607	9613097608
65	2	Clamp with screws	9613017802	9613017802	9613017902	9613017902	9613017902	9613017902
51	1	Valve body, upper, type 20	9613058005	9613058105	9613058007	9613058107	9613058009	9613058109
	1	Valve body, upper, type 30	9613058006	9613058106	9613058008	9613058108	9613058010	9613058110
<b>Tank flange</b>								
76	1	O-ring, EPDM	9611993632	9611993632	9611993636	9611993636	9611993636	9611993636
	1	O-ring, NBR	9611993633	9611993633	9611993637	9611993637	9611993637	9611993637
	1	O-ring, FPM	9611993634	9611993634	9611993638	9611993638	9611993638	9611993638
	1	O-ring, HNBR	9611993635	9611993635	9611993639	9611993639	9611993639	9611993639
90	1	Tank flange	9613099101	9613099101	9613099201	9613099201	9613099201	9613099201
<b>Stub flange</b>								
91	1	O-ring, EPDM	9611994606	9611994606	9611994610	9611994610	9611994610	9611994610
	1	O-ring, NBR	9611994607	9611994607	9611994611	9611994611	9611994611	9611994611
	1	O-ring, FPM	9611994608	9611994608	9611994612	9611994612	9611994612	9611994612
	1	O-ring, HNBR	9611994609	9611994609	9611994613	9611994613	9611994613	9611994613
92	1	Stub flange	9613004701	9613004702	9613004801	9613004802	9613004803	9613004804

1.8

Pos	Qty	Denomination	LongStroke DN/OD 63.5 seat ø81.3	LongStroke DN65 seat ø81.3	LongStroke DN/OD 76.1 seat ø81.3	LongStroke DN/OD 80 seat ø81.3
37	1	Intermediate piece, setup 12	9613097617	9613097618	9613097619	9613097620
	1	Intermediate piece, setup 6	9613097621	9613097622	9613097623	9613097624
65	2	Clamp with screws	9613017902	9613017902	9613017902	9613017902
51	1	Valve body, upper, type 20	9613058007	9613058107	9613058009	9613058109
	1	Valve body, upper, type 30	9613058008	9613058108	9613058010	9613058110
<b>Tank flange</b>						
76	1	O-ring,, EPDM	9611993636	9611993636	9611993636	9611993636
	1	O-ring, NBR	9611993637	9611993637	9611993637	9611993637
	1	O-ring, FPM	9611993638	9611993638	9611993638	9611993638
	1	O-ring,, HNBR	9611993639	9611993639	9611993639	9611993639
90	1	Tank flange	9613099201	9613099201	9613099201	9613099201
<b>Stub flange</b>						
91	1	O-ring, EPDM	9611994610	9611994610	9611994610	9611994610
	1	O-ring, NBR	9611994611	9611994611	9611994611	9611994611
	1	O-ring, FPM	9611994612	9611994612	9611994612	9611994612
	1	O-ring, HNBR	9611994613	9611994613	9611994613	9611994613
92	1	Stub flange	9613004801	9613004802	9613004803	9613004804

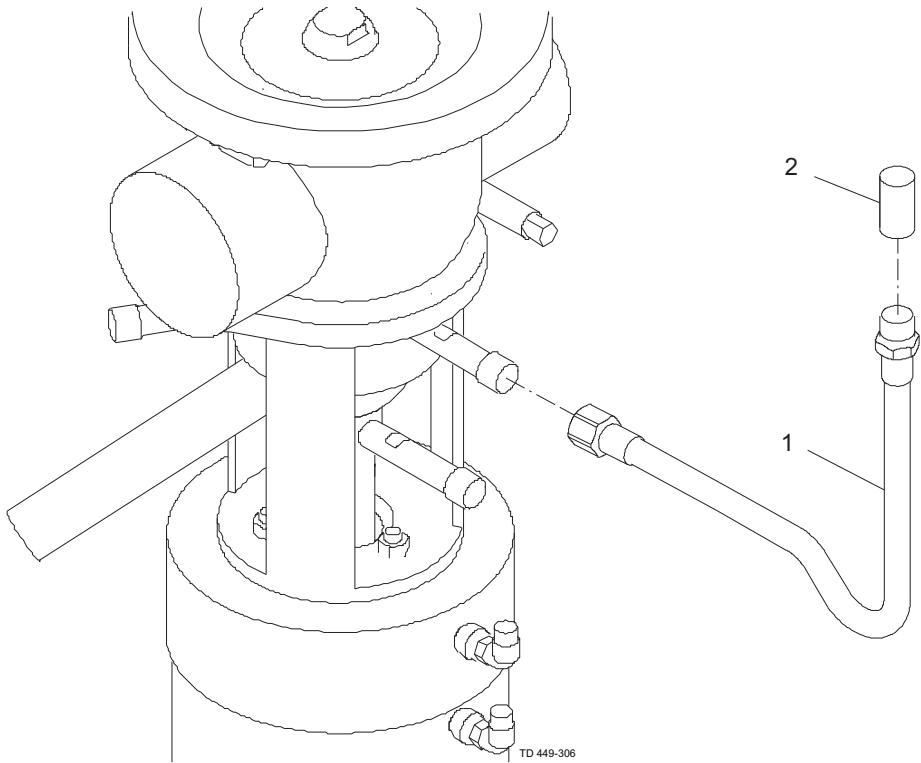
Pos	Qty	Denomination	DN/OD 101.6 seat ø100.3	DN100 seat ø100.3	DN 125 seat ø115.3	DN 150 seat ø115.3
37	1	Intermediate piece, setup 12	9613097701	9613097702	9613097801	9613097802
	1	Intermediate piece, setup 6	9613097703	9613097704	9613097803	N/A
65	2	Clamp with screws	9613018002	9613018002		
	1	Clamp with screws			9613018002	9613018002
	1	Clamp with screws			9613018102	9613018102
51	1	Valve body, upper, type 20	9613058037	9613058149	9613058113	9613058115
	1	Valve body, upper, type 30	9613058038	9613058150	9613058114	9613058116
<b>Tank flange</b>						
76	1	O-ring, EPDM	9611993640	9611993640	9611993640	9611993640
	1	O-ring, NBR	9611993641	9611993641	9611993641	9611993641
	1	O-ring, FPM	9611993642	9611993642	9611993642	9611993642
	1	O-ring, HNBR	9611993643	9611993643	9611993643	9611993643
90	1	Tank flange	9613099301	9613099301	9613099301	9613099301
<b>Stub flange</b>						
91	1	O-ring, EPDM	9611994614	9611994614	9611993640	9611993640
	1	O-ring, NBR	9611994615	9611994615	9611993641	9611993641
	1	O-ring, FPM	9611994616	9611994616	9611993642	9611993642
	1	O-ring, HNBR	9611994617	9611994617	9611993643	9611993643
92	1	Stub flange	9613004901	9613004902	9613005001	9613005001



Pos	Qty	Denomination	Longstroke					
			2" Seat ø53.3	2½" Seat ø81.3	3" Seat ø81.3	2½" Seat ø81.3	3" Seat ø81.3	4" Seat ø100.3
37	1	Intermediate piece, without cip, blasted . . . . .	9613097501	9613097601	9613097603	9613097617	9613097619	9613097701
	1	Intermediate piece, with cip, blasted . . . . .	9613097503	9613097605	9613097607	9613097621	9613097623	9613097703
	1	Intermediate piece, without cip, polished . . . . .	9613097505	9613097609	9613097611	9613097625	9613097627	9613097705
	1	Intermediate piece, with cip, polished . . . . .	9613097507	9613097613	9613097615	9613097629	9613097631	9613097707
65	2	Clamp with screws . . . . .	9613017803	9613017903	9613017903	9613017903	9613017903	9613018003
<b>External and internal blasted</b>								
51	1	Valve body, upper, type 20 .	9613058005	9613058007	9613058009	9613058007	9613058009	9613058037
	1	Valve body, upper, type 30 .	9613058006	9613058008	9613058010	9613058008	9613058010	9613058038
<b>External blasted / internal polished</b>								
	1	Valve body, upper, type 20 .	9613058017	9613058019	9613058021	9613058019	9613058021	9613058039
	1	Valve body, upper, type 30 .	9613058018	9613058020	9613058022	9613058020	9613058022	9613058040
<b>External and internal polished</b>								
	1	Valve body, upper, type 20 .	9613058029	9613058031	9613058033	9613058031	9613058033	9613058041
	1	Valve body, upper, type 30 .	9613058030	9613058032	9613058034	9613058032	9613058034	9613058042
90	1	Tank flange . . . . .	9613099101	9613099201	9613099201	9613099201	9613099201	9613099301
92	1	Pipe flange . . . . .	9613004701	9613004801	9613004803	9613004801	9613004803	9613004901

1.8

1.8

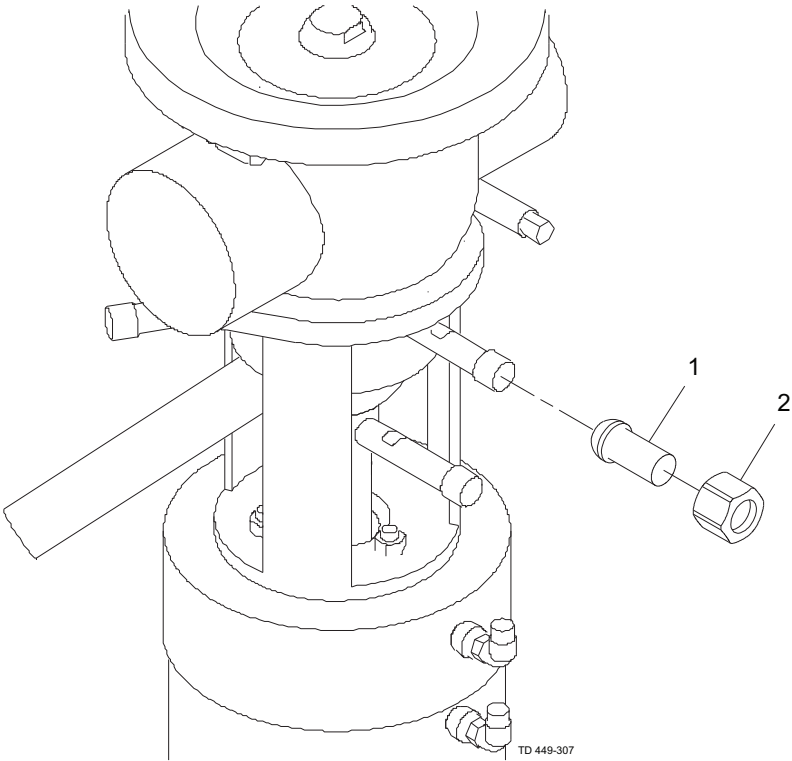


---

Pos	Qty	Denomination	
1	1	Hose PTFE with stainless steel weave .....	3135707451
2	1	Welding socket .....	9611990917

900-324

1.8

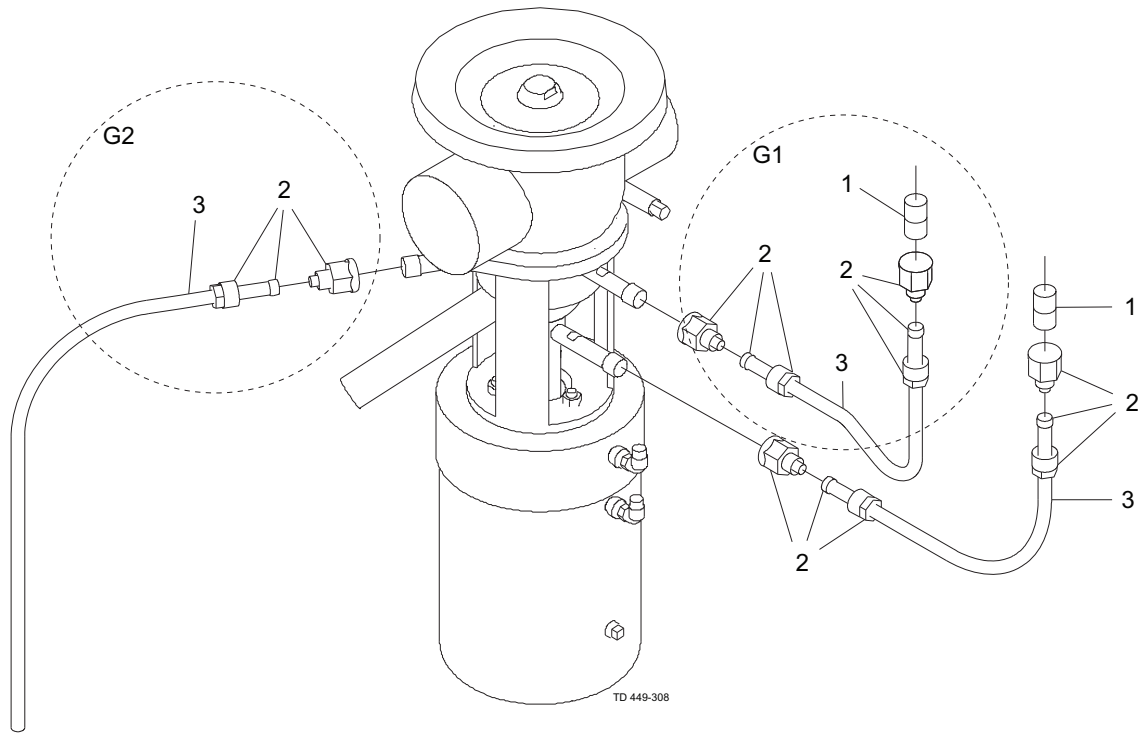


---

Pos	Qty	Denomination	
1	1	Welding liner .....	3135707431
2	1	Nut .....	3135707441

900-325/1





Installation kit G1

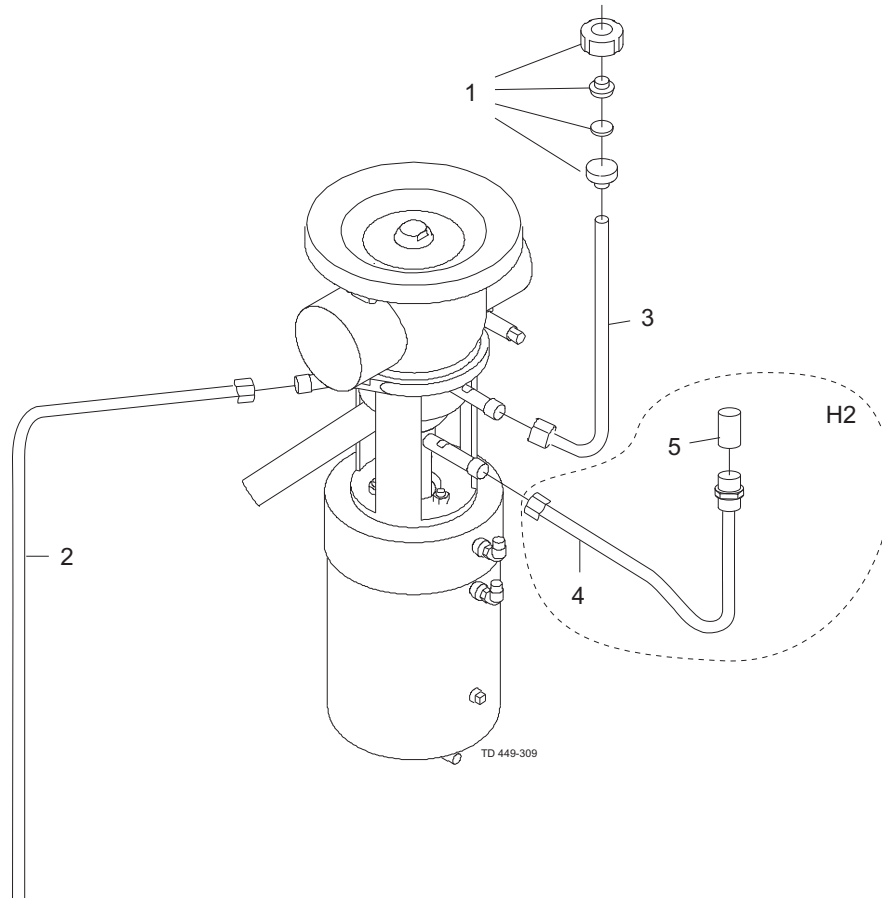
Pos	Qty	Denomination	
1	1	Welding male part, AISI 316	3135707471
2	2	3/8" 10 mm Female PVDF	9611992372
3	1	10 mm PVDF hose, 1m	9611992607

Installation kit G2

Pos	Qty	Denomination	
2	1	3/8" 10 mm Female PVDF	9611992372
3	1	10 mm PVDF hose, 1m	9611992607

900-329

1.8



Installation kit H

Pos	Qty	Denomination	
1	1	DIN union DN10	9611305791
	1	Nut, DN10	9611306420
	1	Welding liner DIN, DN10	9611305950
	1	Packing NBR, DN10	52734601
	1	Male part DIN, DN10	9611305900
2	1	12 mm CIP pipe long	3135710014
3	1	12 mm CIP pipe	3135710013

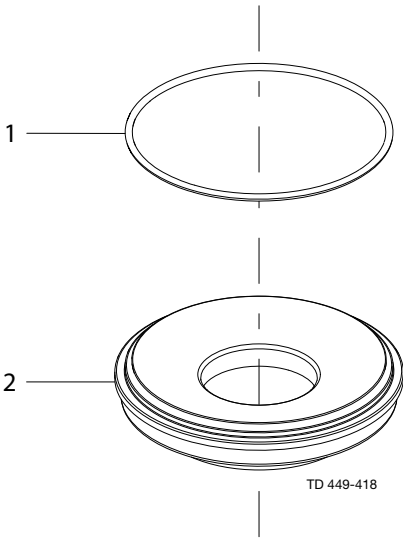
1.8

Installation kit H2

Pos	Qty	Denomination	
4	1	Hose PTFE with stainless steel weave	3135707451
5	1	Welding socket	9611990917

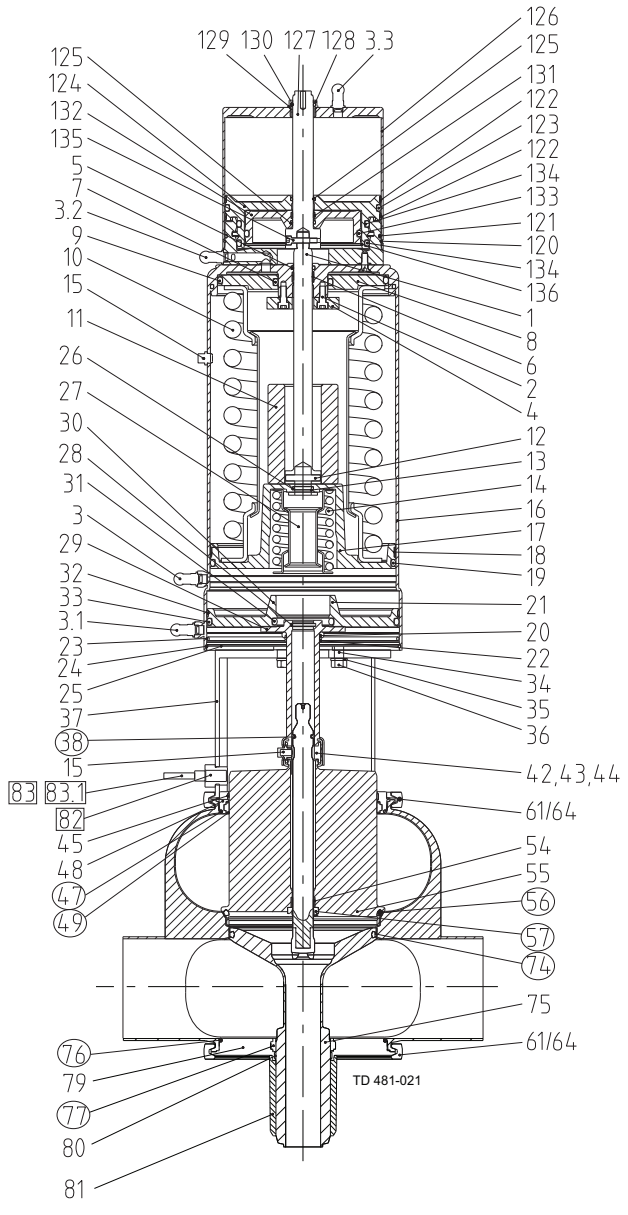
900-326

1.8

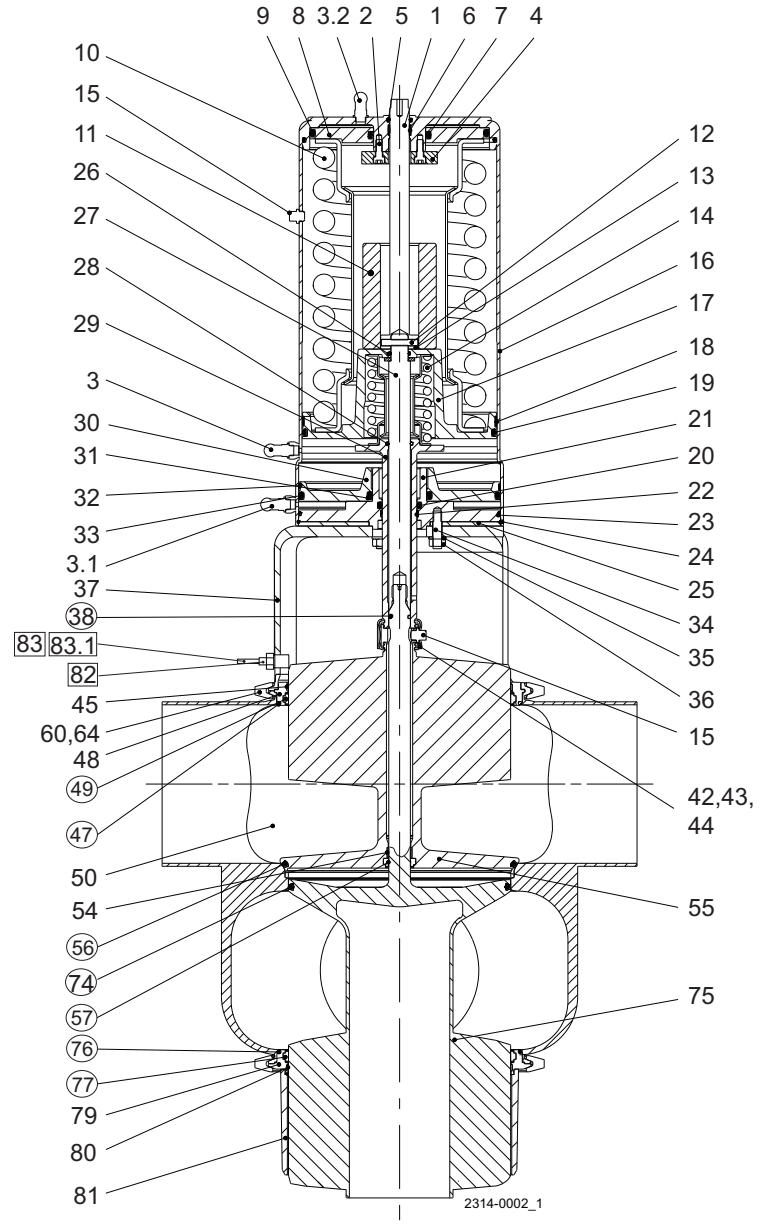


Pos	Qty	Denomination	DN/OD 63.5 DN 65		
			DN/OD 51 DN 50	DN/OD 76.1 DN 80	DN/OD 101.6 DN 100
1	1	O-ring, EPDM	9611991056	9611991056	9611991056
	1	O-ring, NBR	9611990007	9611990007	9611990007
2	1	O-ring, FPM	9611992883	9611992883	9611992883
	1	Conversion flange	9613444501	9613444601	9613444701

1.8



4"



6"

- = Sensor kit
- = Wear parts

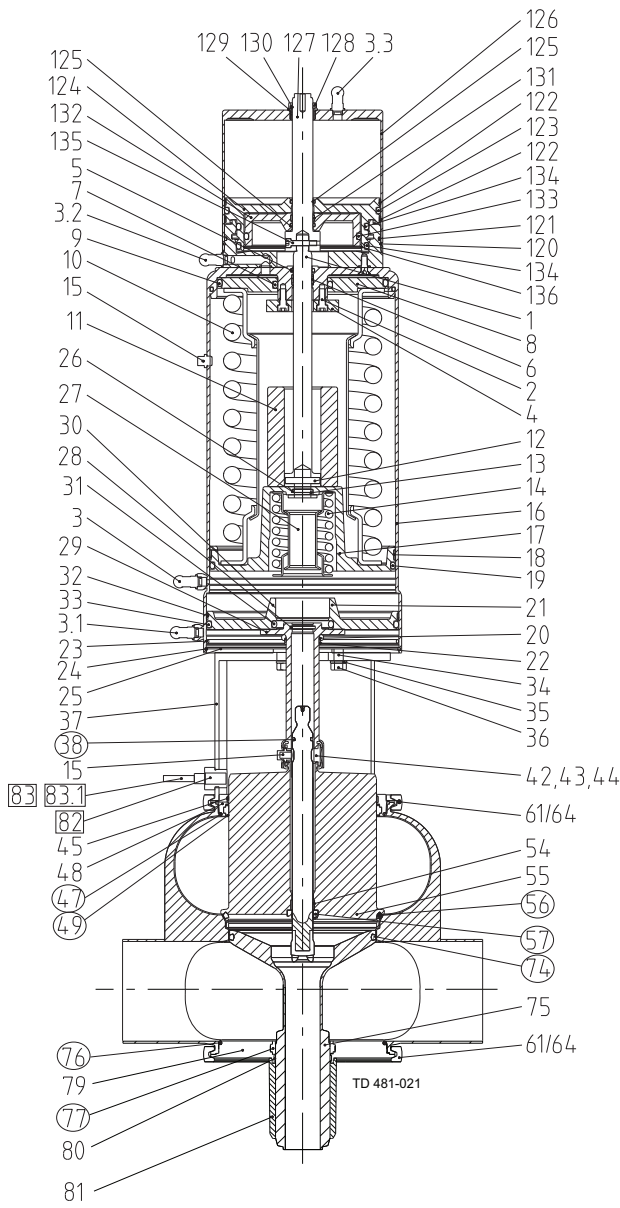
Pos	Qty	Denomination	4"	6"
			Seat ø143.9	Seat ø206.1
38	1	O-ring, EPDM	9611993572	9611993572
47	1	O-ring, EPDM (Standard)	9611993644	9611995003
	1	O-ring, NBR	9611993645	9611995004
	1	O-ring, HNBR	9611993647	9611995006
	1	O-ring, FPM	9611993646	9611995005
49	1	Lip seal, EPDM (Standard)	9613008536	9613095149
	1	Lip seal, NBR	9613008537	9613008565
	1	Lip seal, HNBR	9613008539	9613008563
	1	Lip seal, FPM	9613008538	9613008562
56	1	Seal ring, EPDM (Standard)	9613095123	9613095151
	1	Seal ring, NBR	9613095124	9613095152
	1	Seal ring, HNBR	9613095121	9613095149
	1	Seal ring, FPM	9613095122	9613095150
57	1	Lip seal, EPDM (Standard)	9613008711	9613008711
	1	Lip seal, NBR	9613008718	9613008718
	1	Lip seal, HNBR	9613008714	9613008714
	1	Lip seal, FPM	9613008713	9613008713
74	1	Seal ring, EPDM (Standard)	9613095223	9613095247
	1	Seal ring, NBR	9613095224	9613095248
	1	Seal ring, HNBR	9613095221	9613095245
	1	Seal ring, FPM - Alfa Laval recommends EPDM	9613095222	9613095246
76	1	O-ring, EPDM (Standard)	9611993644	9611995003
	1	O-ring, NBR	9611993645	9611995004
	1	O-ring, HNBR	9611993647	9611995006
	1	O-ring, FPM	9611993646	9611995005
77	1	Lip seal, EPDM (Standard)	9613008521	9613008560
	1	Lip seal, NBR	9613008522	9613008565
	1	Lip seal, HNBR	9613008524	9613008563
	1	Lip seal, FPM	9613008523	9613008562

NOTE! All FPM service kits are supplied with EPDM seal ring, pos. 74.

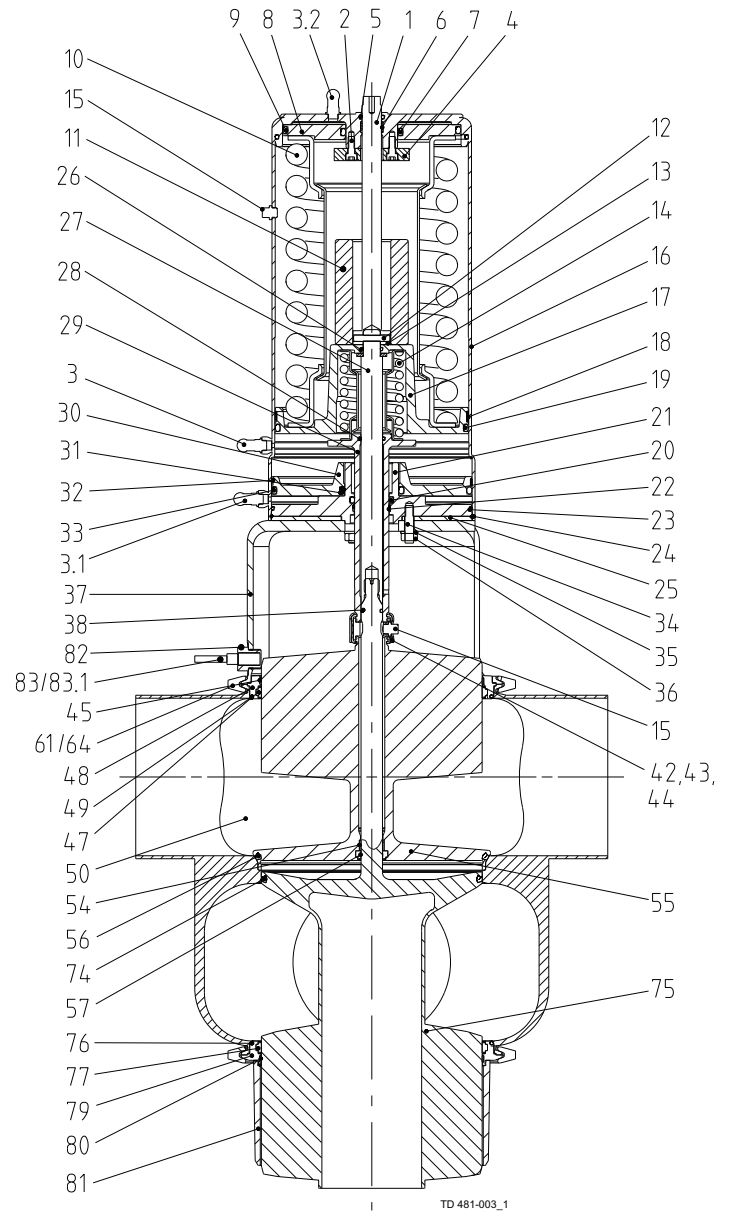
1.8



1.8



4"



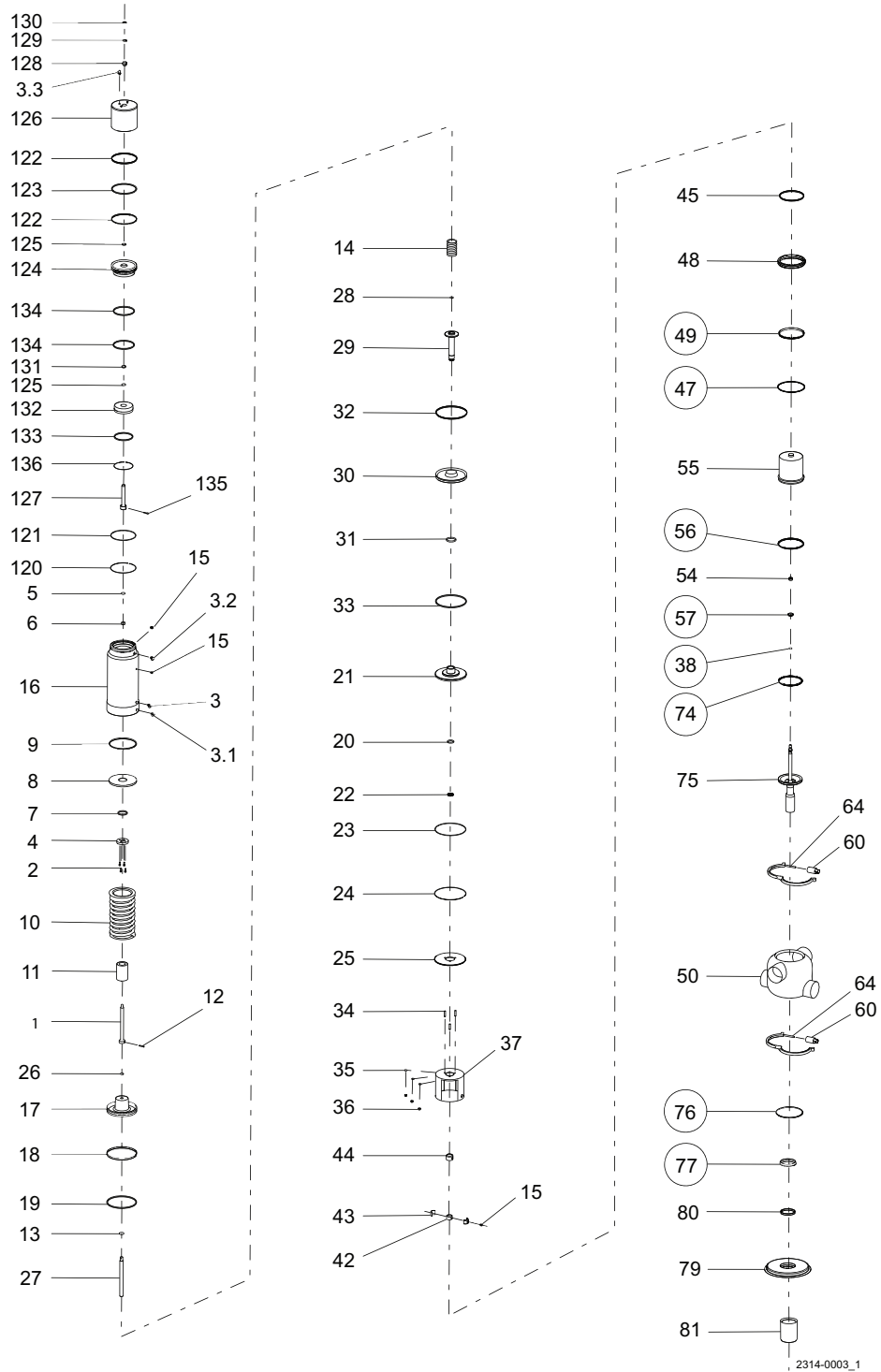
6"

- = Sensor kit
- = Wear parts

Pos	Qty	Denomination	4"	6"
			Seat ø143.9	Seat ø206.1
38	1	O-ring, EPDM	9611993572	9611993572
47	1	O-ring, EPDM (standard)	9611993644	9611995003
	1	O-ring, NBR	9611993645	9611995004
	1	O-ring, HNBR	9611993647	9611995006
	1	O-ring, FPM	9611993646	9611995005
49	1	Lip seal, EPDM (standard)	9613008536	9613008560
	1	Lip seal, NBR	9613008537	9613008565
	1	Lip seal, HNBR	9613008539	9613008563
	1	Lip seal, FPM	9613008538	9613008562
56	1	Seal ring, EPDM (standard)	9613095123	9613095151
	1	Seal ring, NBR	9613095124	9613095152
	1	Seal ring, HNBR	9613095121	9613095149
	1	Seal ring, FPM	9613095122	9613095150
57	1	Lip seal, EPDM (standard)	9613008711	9613008711
	1	Lip seal, NBR	9613008718	9613008718
	1	Lip seal, HNBR	9613008714	9613008714
	1	Lip seal, FPM	9613008713	9613008713
74	1	Seal ring, EPDM (standard)	9613095223	9613095247
	1	Seal ring, NBR	9613095224	9613095248
	1	Seal ring, HNBR	9613095221	9613095245
	1	Seal ring, FPM - Alfa Laval recommends EPDM	9613095222	9613095246
76	1	O-ring, EPDM (standard)	9611993644	9611995003
	1	O-ring, NBR	9611993645	9611995004
	1	O-ring, HNBR	9611993647	9611995006
	1	O-ring, FPM	9611993646	9611995005
77	1	Lip seal, EPDM (standard)	9613008521	9613008560
	1	Lip seal, NBR	9613008522	9613008565
	1	Lip seal, HNBR	9613008524	9613008563
	1	Lip seal, FPM	9613008523	9613008562

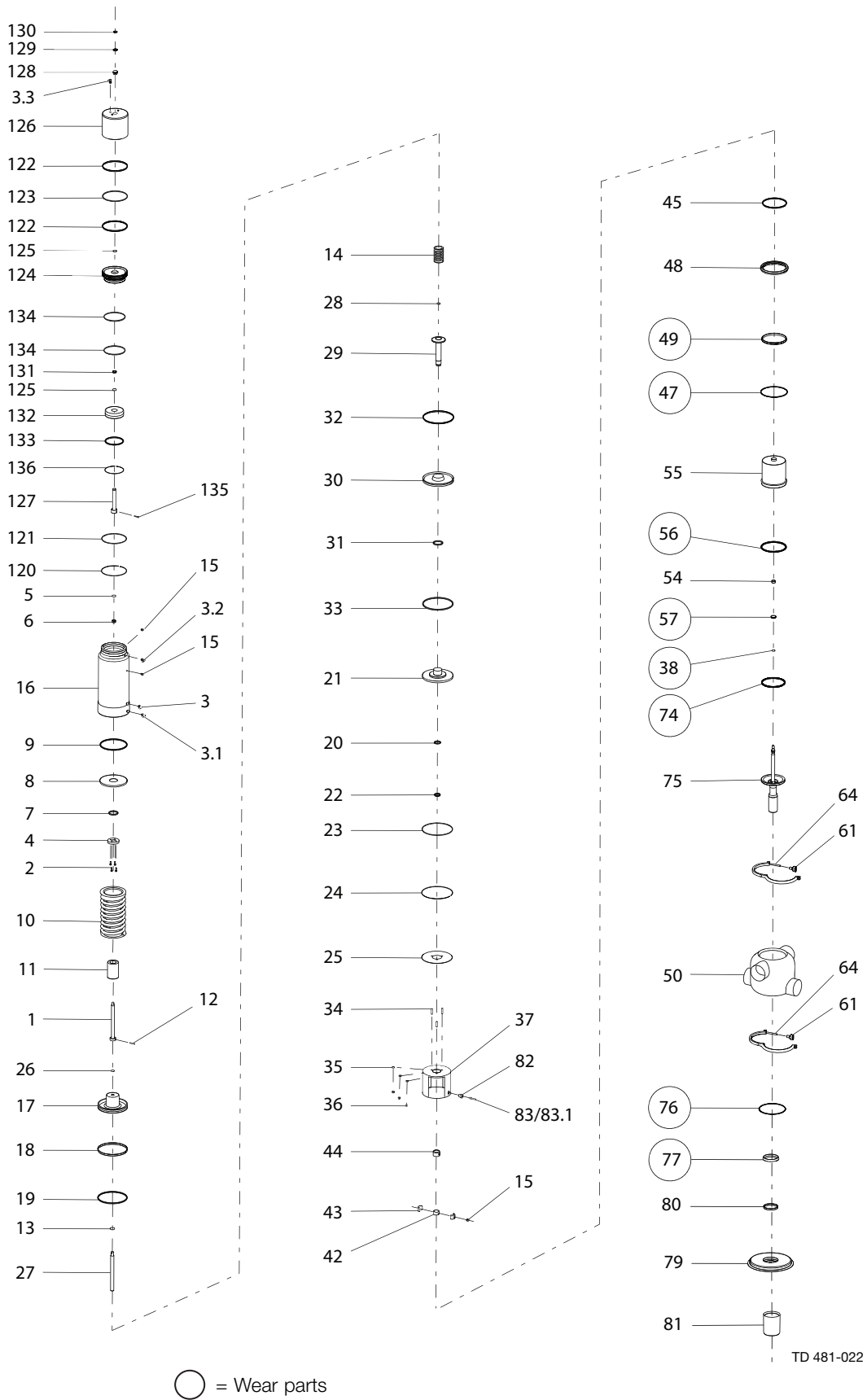
1.8

1.8



Pos	Qty	Denomination	4" Seat ø143.9
1	1	Cpl. Actuator	9614031316
2	4	Upper stem	9614072401
3	1	Screw	9611990144
3.1	1	Air fitting	9611991988
3.2	1	Air fitting	9611991988
3.3	1	Air fitting	9611991988
4	1	Stop for upper piston	9613488301
5	1	O-ring, NBR	9611993499
6	1	Guide ring, Turcite	9613008408
7	1	O-ring, NBR	9611993514
8	1	Upper piston	9613005602
9	1	O-ring, NBR	9611993513
10	1	Spring assembly	9613025605
11	1	Distance spacer	9613010207
12	1	Pin	9611994199
13	1	Washer	9611993596
14	1	Spring assembly	9613009503
15	3	Plug	9613414101
16	1	Cylinder	9613015025
17	1	Main piston	9613015901
18	1	Guide ring, Turcite	9613008411
19	1	O-ring, NBR	9611993509
20	1	O-ring, NBR	9611993607
21	1	Bottom	9613016801
22	1	Guide ring, Turcite	9613008404
23	1	O-ring, NBR	22340675
24	1	Retaining ring	9613024804
25	1	Cover disk	9613005804
26	1	O-ring, NBR	9611993530
27	1	Inner stem	9613007305
28	1	O-ring	9611990030
29	1	Piston rod	9613006004
30	1	Lower piston	9613016601
31	1	O-ring, NBR	42153
32	1	Guide ring, Turcite	9613008407
33	1	O-ring, NBR	9611993510
34	3	Bolt	9611993618
35	3	Washer	9611993594
36	3	Nut	9611990360
42	1	Spindle liner	9613009001
43	2	Clamp	9613009201
44	1	Lock	9613009101
45	1	Guide ring, PTFE	9613008421
48	1	Upper sealing element	9613071301
54	1	Guide ring, PTFE	9613008402
55	1	Upper plug	9613498301
60	2	Hexnut	9613023201
64	2	Clamp without nut	9613021801
75	1	Lower plug	9613497901
79	1	Lower sealing element	9613082704
80	1	Guide ring, PTFE	9613008413
81	1	Cover for Plug	9613049027
120	1	Lock ring	9613143203
121	1	O-ring, NBR	9611992579
122	2	Guide ring	9613008428
123	1	O-ring, NBR	9611994283
124	1	Piston	9614072201
125	2	O-ring, NBR	9611994300
126	1	Cylinder	9614058303
127	1	Upper stem, cpl.	9614072301
128	1	Bushing	9613132801
129	1	O-ring	9611994680
130	1	O-ring	9611994300
131	1	Guide ring, Turcite	9613008424
132	1	Inner piston	9614072501
133	1	O-ring	9611990033
134	2	O-ring	9611990035
135	1	Screw	9611995302
136	1	Lock ring	9614072601

1.8

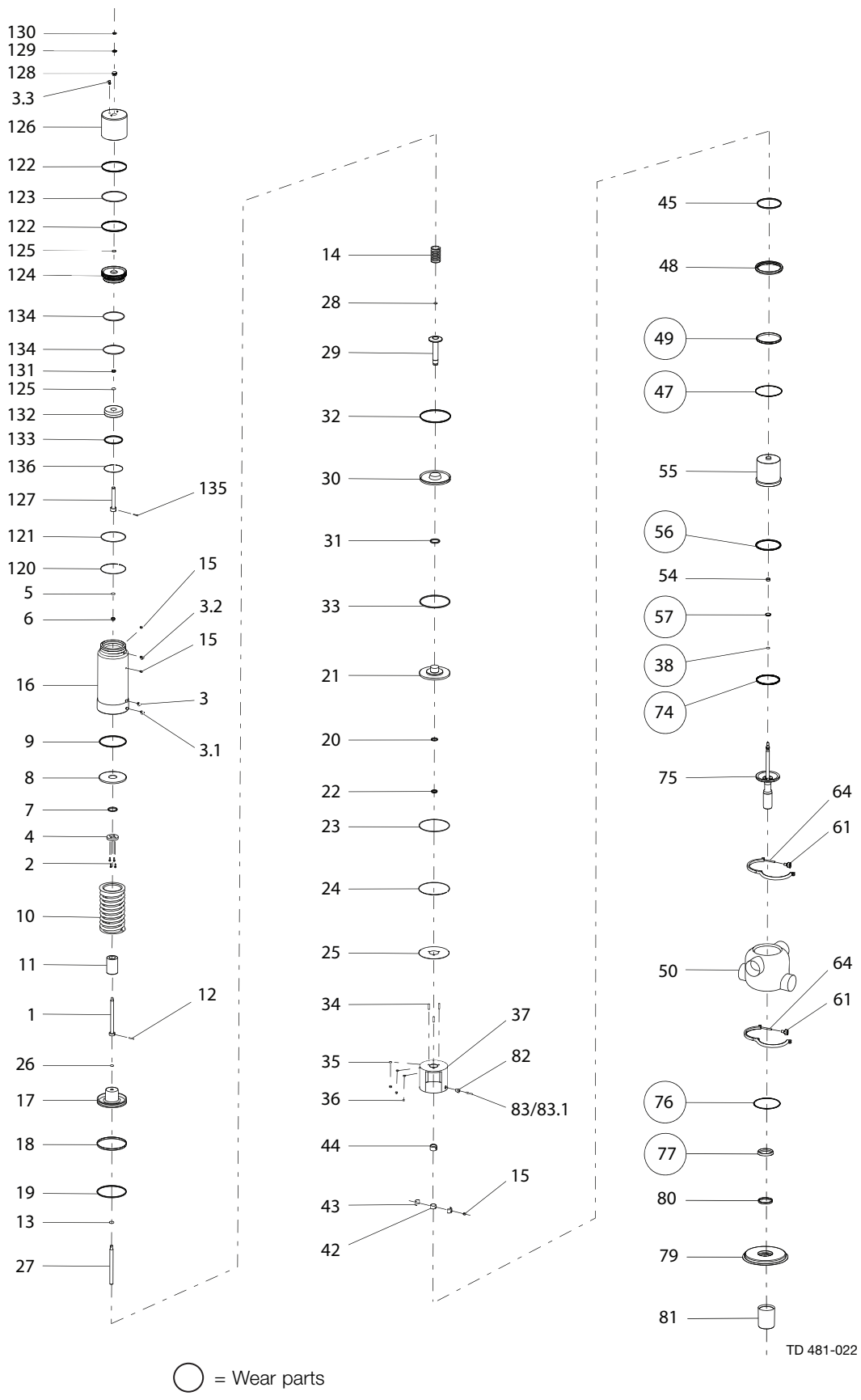


TD 481-022

Pos	Qty	Denomination	4" Seat ø143.9
1	1	Cpl. Actuator	9613489036
2	4	Upper stem	9614072401
3	1	Screw	9611990144
3.1	1	Air fitting , blue	9611993780
3.2	1	Air fitting , red	9611994172
3.3	1	Air fitting , yellow	9611994171
4	1	Air fitting , blue	9611993780
5	1	Stop for upper piston	9613488301
6	1	O-ring, NBR	9611993499
7	1	Guide ring, Turcite	9613008408
8	1	O-ring, NBR	9611993514
9	1	Upper piston	9613005602
10	1	O-ring, NBR	9611993513
11	1	Spring assembly	9613025605
12	1	Distance spacer	9613010207
13	1	Pin	9611994199
14	1	Washer	9611993596
15	1	Spring assembly	9613009503
16	3	Plug	9613414101
17	1	Cylinder (3A marking)	9614053704
18	1	Main piston	9613015901
19	1	Guide ring, Turcite	9613008411
20	1	O-ring, NBR	9611993509
21	1	O-ring, NBR	9611993607
22	1	Bottom	9613016801
23	1	Guide ring, Turcite	9613008404
24	1	O-ring, NBR	22340675
25	1	Retaining ring	9613024804
26	1	Cover disk	9613005804
27	1	O-ring, NBR	9611993530
28	1	Inner stem	9613007305
29	1	O-ring	9611990030
30	1	Piston rod	9613006004
31	1	Lower piston	9613016601
32	1	O-ring, NBR	42153
33	1	Guide ring, Turcite	9613008407
34	1	O-ring, NBR	9611993510
35	3	Bolt	9611993618
36	3	Washer	9611993594
42	3	Nut	9611990360
43	1	Spindle liner	9613009001
44	2	Clamp	9613009201
	1	Lock	9613009101

• Actuator service kit, part no. 9611926990

1.8



Pos	Qty	Denomination	4" Seat ø143.9
45	1	Guide ring, PTFE	9613008421
48	1	Upper sealing element	9613071301
54	1	Guide ring, PTFE	9613008402
55	1	Upper plug	9613498301
61	2	Wingnut	9612558001
64	2	Clamp without nut	9613021801
75	1	Lower plug	9613497901
79	1	Lower sealing element	9613082704
80	1	Guide ring, PTFE	9613008413
81	1	Cover for Plug	9613049027
82 Δ	1	Bolt for indication	9613092604
83 Δ	1	Sensor for indication	9611995770
83.1	1	Cable for sensor for indication	9611994915
120	1	Lock ring	9613143203
121 ●	1	O-ring, NBR	9611992579
122 ●	2	Guide ring	9613008428
123 ●	1	O-ring, NBR	9611994283
124	1	Piston	9614072201
125 ●	2	O-ring, NBR	9611994300
126	1	Cylinder	9614058302
127	1	Upper stem, cpl.	9614072301
128 ●	1	Bushing	9613132801
129 ●	1	O-ring	9611994680
130 ●	1	O-ring	9611994300
131 ●	1	Guide ring	9613008424
132	1	Inner piston	9614072501
133 ●	1	O-ring	9611990033
134 ●	2	O-ring	9611990035
135	1	Screw	9611995302
136	1	Lock ring	9614072601

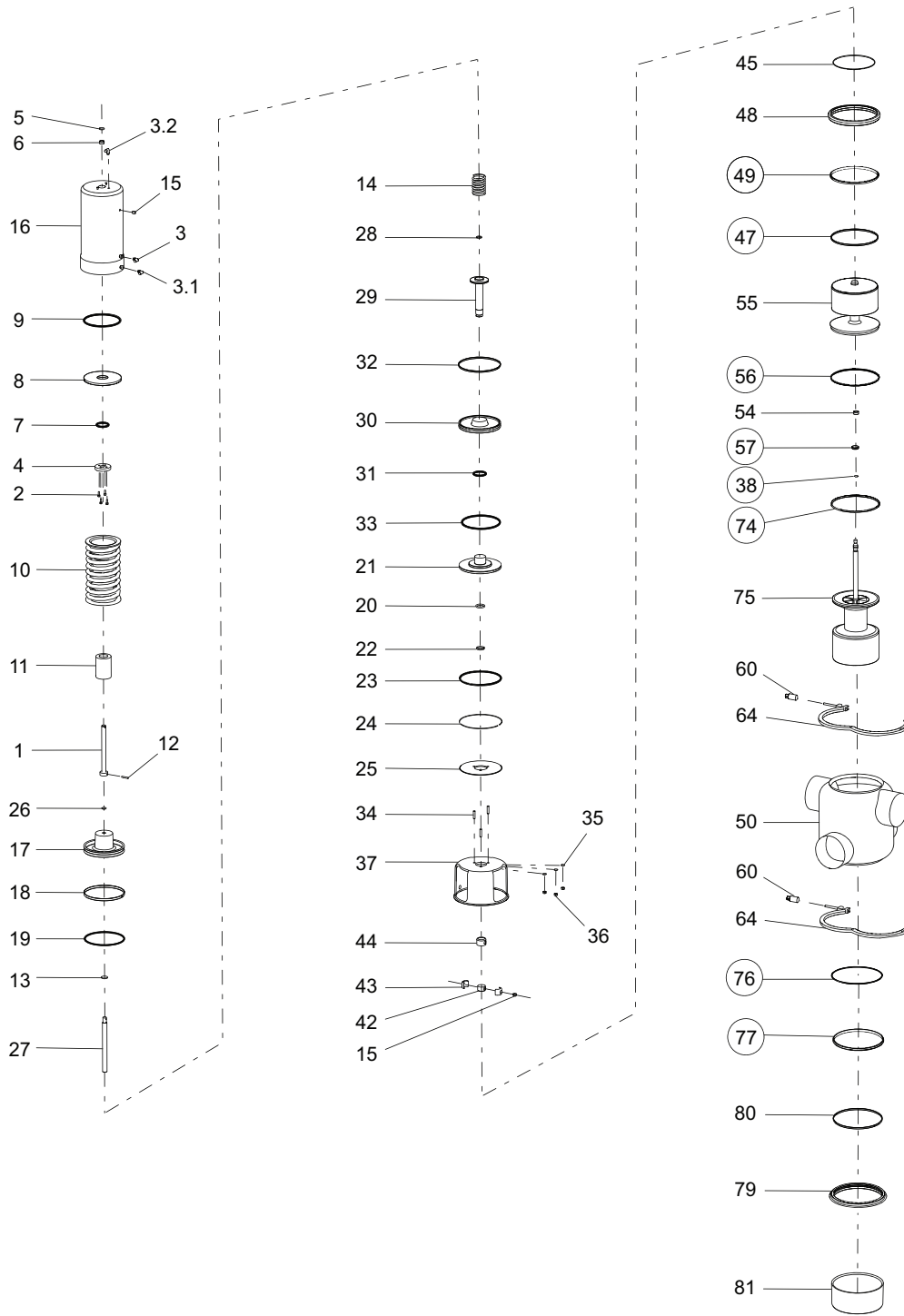
Note!

Δ Sensor service kit for valves delivered prior to October 2015 - 9611928352

900-575/5



1.8

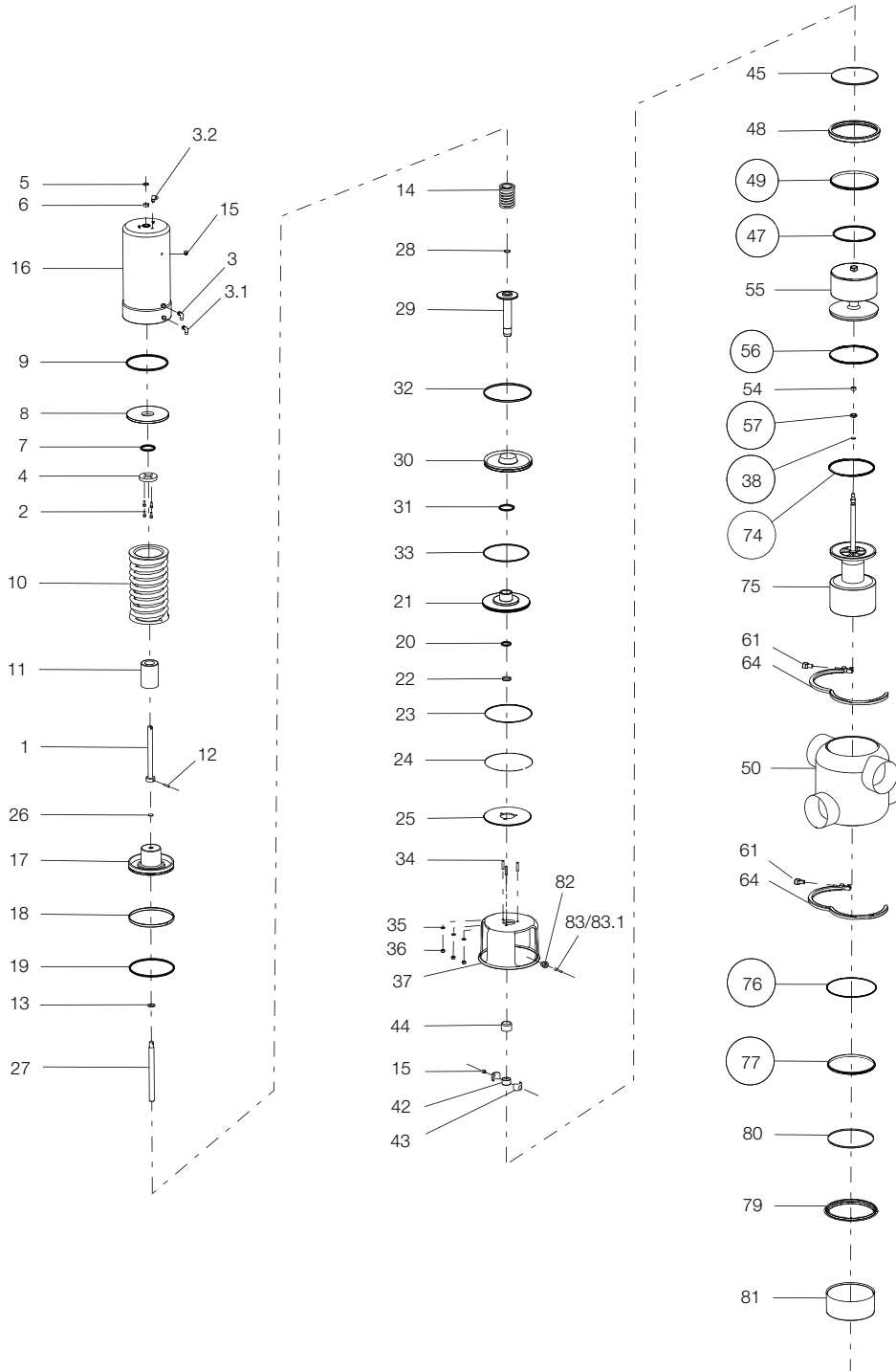


2314-0004\_2

○ = Wear parts

Pos	Qty	Denomination	6" Seat ø206.1
		Cpl. Actuator . . . . .	9614031312
1	1	Upper stem . . . . .	9613007404
2	4	Screw . . . . .	9611990144
3	1	Air fitting . . . . .	9611991988
3.1	1	Air fitting . . . . .	9611991988
3.2	1	Air fitting . . . . .	9611991988
4	1	Stop for upper piston . . . . .	9613488301
5	1	O-ring, NBR . . . . .	9611993499
6	1	Guide ring, Turcite . . . . .	9613008408
7	1	O-ring, NBR . . . . .	9611993514
8	1	Upper piston . . . . .	9613005602
9	1	O-ring, NBR . . . . .	9611993513
10	1	Spring assembly . . . . .	9613025605
11	1	Distance spacer . . . . .	9613010207
12	1	Pin . . . . .	9611994199
13	1	Washer . . . . .	9611993596
14	1	Spring assembly . . . . .	9613009503
15	2	Plug . . . . .	9613414101
16	1	Cylinder . . . . .	9613015036
17	1	Main piston . . . . .	9613015901
18	1	Guide ring, Turcite . . . . .	9613008411
19	1	O-ring, NBR . . . . .	9611993509
20	1	O-ring, NBR . . . . .	9611993607
21	1	Bottom . . . . .	9613016801
22	1	Guide ring, Turcite . . . . .	9613008404
23	1	O-ring, NBR . . . . .	22340675
24	1	Retaining ring . . . . .	9613024804
25	1	Cover disk . . . . .	9613005804
26	1	O-ring, NBR . . . . .	9611993530
27	1	Inner stem . . . . .	9613007305
28	1	O-ring . . . . .	9611990030
29	1	Piston rod . . . . .	9613006004
30	1	Lower piston . . . . .	9613016601
31	1	O-ring, NBR . . . . .	42153
32	1	Guide ring, Turcite . . . . .	9613008407
33	1	O-ring, NBR . . . . .	9611993510
34	3	Bolt . . . . .	9611993618
35	3	Washer . . . . .	9611993594
36	3	Nut . . . . .	9611990360
42	1	Spindle liner . . . . .	9613009001
43	2	Clamp . . . . .	9613009201
44	1	Lock . . . . .	9613009101
45	1	Guide ring, PTFE . . . . .	9613008421
48	1	Upper sealing element . . . . .	9613488001
54	1	Guide ring, PTFE . . . . .	9613008402
55	1	Upper plug . . . . .	9613488901
60	2	Hexnut . . . . .	9613146001
64	2	Clamp without nut . . . . .	9613488401
75	1	Lower plug . . . . .	9613497801
79	1	Lower sealing element . . . . .	9613489101
80	1	Guide ring, PTFE . . . . .	9613008426
81	1	Cover for Plug . . . . .	9613049025

1.8



○ = Wear parts

TD 481-000\_1

Pos	Qty	Denomination	6" Seat ø206.1
		Cpl. Actuator	9613489032
1	1	Upper stem	9613007404
2	4	Screw	9611990144
3	1	Air fitting , blue	9611993780
3.1	1	Air fitting , red	9611994172
3.2	1	Air fitting , yellow	9611994171
4	1	Stop for upper piston	9613488301
5 •	1	O-ring, NBR	9611993499
6 •	1	Guide ring, Turcite	9613008408
7 •	1	O-ring, NBR	9611993514
8	1	Upper piston	9613005602
9 •	1	O-ring, NBR	9611993513
10	1	Spring assembly	9613025605
11	1	Distance spacer	9613010207
12	1	Pin	9611994199
13	1	Washer	9611993596
14	1	Spring assembly	9613009503
15	2	Plug	9613414101
16	1	Cylinder (3A marking)	9613015037
17	1	Main piston	9613015901
18 •	1	Guide ring, Turcite	9613008411
19 •	1	O-ring, NBR	9611993509
20 •	1	O-ring, NBR	9611993607
21	1	Bottom	9613016801
22 •	1	Guide ring, Turcite	9613008404
23 •	1	O-ring, NBR	22340675
24	1	Retaining ring	9613024804
25	1	Cover disk	9613005804
26 •	1	O-ring, NBR	9611993530
27	1	Inner stem	9613007305
28 •	1	O-ring	9611990030
29	1	Piston rod	9613006004
30	1	Lower piston	9613016601
31 •	1	O-ring, NBR	42153
32 •	1	Guide ring, Turcite	9613008407
33 •	1	O-ring, NBR	9611993510
34	3	Bolt	9611993618
35	3	Washer	9611993594
36	3	Nut	9611990360
42	1	Spindle liner	9613009001
43	2	Clamp	9613009201
44	1	Lock	9613009101

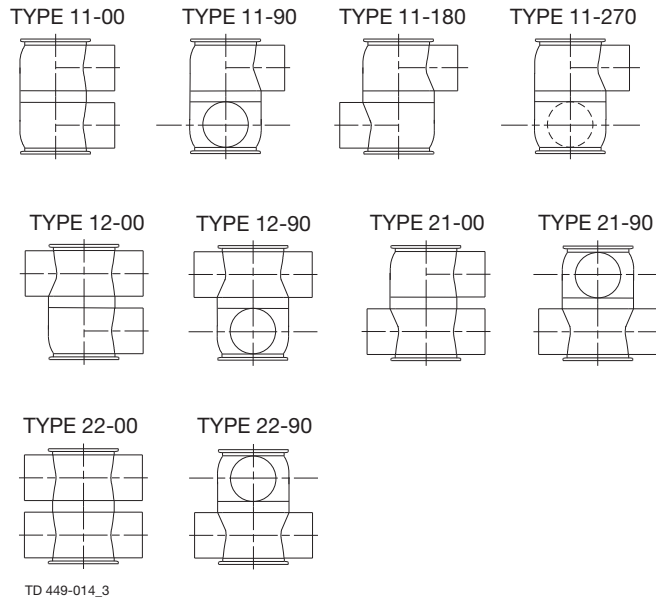
• Actuator service kit, part no. 9611926416

Pos	Qty	Denomination	
45	1	Guide ring, PTFE	9613008426
48	1	Upper sealing element	9613488001
54	1	Guide ring, PTFE	9613008402
55	1	Upper plug	9613488901
61	2	Wing nut	9613149501
64	2	Clamp without nut	9613488401
75	1	Lower plug	9613497801
79	1	Lower sealing element	9613489101
80	1	Guide ring, PTFE	9613008426
81	1	Cover for Plug	9613049025
82 Δ	1	Bolt for indication	9613092604
83 Δ	1	Sensor for indication	9611995770
83.1	1	Cable for sensor for indication	9611994915

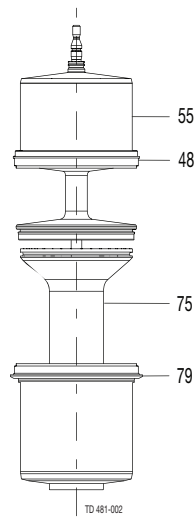
Note!

Δ Sensor service kit for valves delivered prior to October 2015 - 9611928352

1.8



Service kits

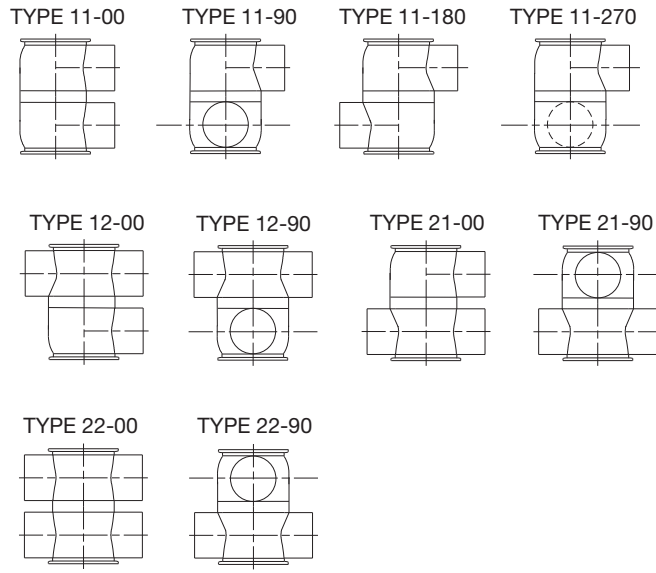


Pos	Qty	Denomination	4"	6"
			Seat ø143.9	Seat ø206.1
37	1	Intermediate piece	9613019319	9613496601
50	1	Valve body, 11-00	9614196601	9614196611
	1	Valve body, 12-00	9614196605	9614196615
	1	Valve body, 21-00	9614196607	9614196617
	1	Valve body, 22-00	9614196609	9614196619
	1	Valve body, 11-90	9614196602	9614196612
	1	Valve body, 12-90	9614196606	9614196616
	1	Valve body, 21-90	9614196608	9614196618
	1	Valve body, 22-90	9614196610	9614196620
	1	Valve body, 11-180	9614196603	9614196613
	1	Valve body, 11-270	9614196604	9614196614
				4"
		<b>Service kit, NBR</b>	<b>9611926861</b>	<b>9611926849</b>
		<b>Service kit, EPDM</b>	<b>9611926862</b>	<b>9611926850</b>
		<b>Service kit, HNBR</b>	<b>9611926863</b>	<b>9611926851</b>
		<b>Service kit, FPM</b>	<b>9611926864</b>	<b>9611926852</b>

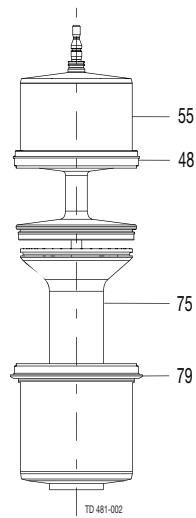
1.8

NOTE!

All FPM service kits are supplied with EPDM seal ring, pos. 74.



Service kits



Pos	Qty	Denomination	4"	6"
			Seat ø143.9	Seat ø206.1
37	1	Intermediate piece	9613019319	9613496601
50	1	Valve body, 11-00	9613493301	9613492001
	1	Valve body, 12-00	9613493305	9613492005
	1	Valve body, 21-00	9613493307	9613492007
	1	Valve body, 22-00	9613493309	9613492009
	1	Valve body, 11-90	9613493302	9613492002
	1	Valve body, 12-90	9613493306	9613492006
	1	Valve body, 21-90	9613493308	9613492008
	1	Valve body, 22-90	9613493310	9613492010
	1	Valve body, 11-180	9613493303	9613492003
	1	Valve body, 11-270	9613493304	9613492004

1.8

**Service Kits**

---

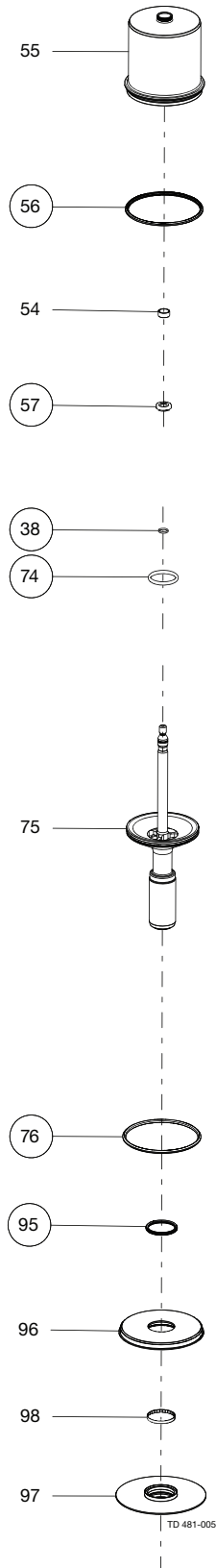
<b>4"</b>			
	Service kit, NBR	9611926861	
	Service kit, EPDM	9611926862	
	Service kit, HNBR	9611926863	
	Service kit, FPM	9611926864	
<b>6"</b>			
	Service kit, NBR	9611926849	
	Service kit, EPDM	9611926850	
	Service kit, HNBR	9611926851	
	Service kit, FPM	9611926852	

**NOTE!**

All FPM service kits are supplied with EPDM seal ring, pos. 74.



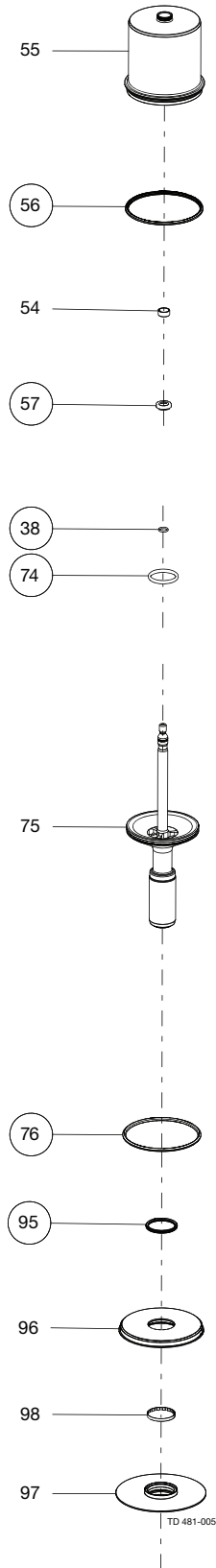
1.8



Pos	Qty	Denomination	4"	6"
			Seat ø143.9	Seat ø206.1
		Lower plug, cpl., NBR	9614057401	9614057402
		Lower plug, cpl., EPDM	9614057403	9614057404
		Lower plug, cpl., HNBR	9614057405	9614057406
		Lower plug, cpl., FPM	9614057407	9614057408

Pos	Qty	Denomination
38	1	O-ring
74	1	Seal ring
75	1	Lower plug
76	1	O-ring
95	1	Special lip seal
96	1	Lower sealing element, upper part
97	1	Lower sealing element, lower part
98	1	Guide ring

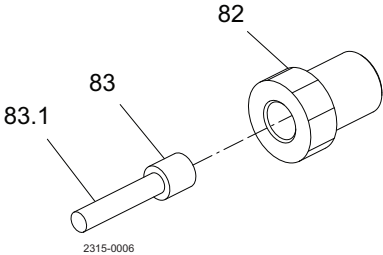
1.8



Pos	Qty	Denomination	4"	6"
			Seat ø143.9	Seat ø206.1
		Lower plug, cpl., NBR	9614057401	9614057402
		Lower plug, cpl., EPDM	9614057403	9614057404
		Lower plug, cpl., HNBR	9614057405	9614057406
		Lower plug, cpl., FPM	9614057407	9614057408

Pos	Qty	Denomination
38	1	O-ring
74	1	Seal ring
75	1	Lower plug
76	1	O-ring
95	1	Special lip seal
96	1	Lower sealing element, upper part
97	1	Lower sealing element, lower part
98	1	Guide ring

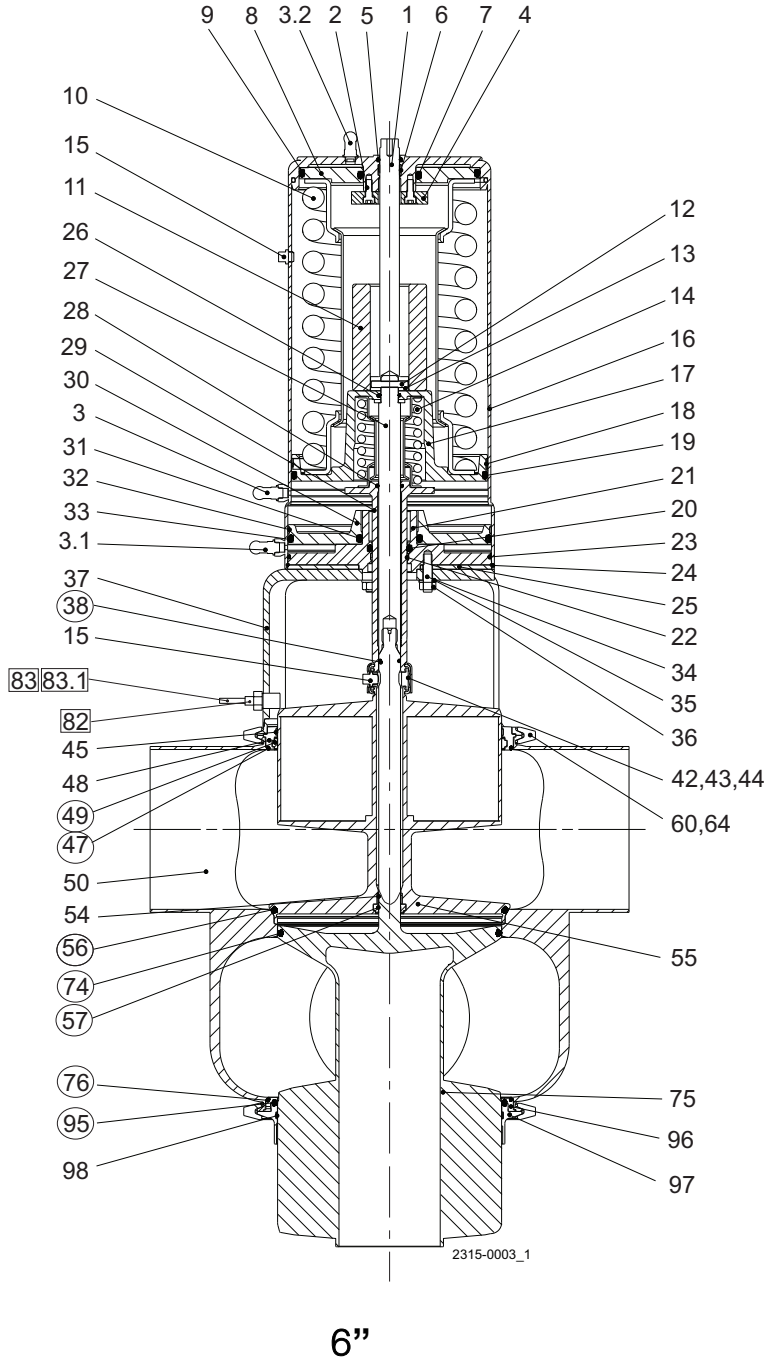
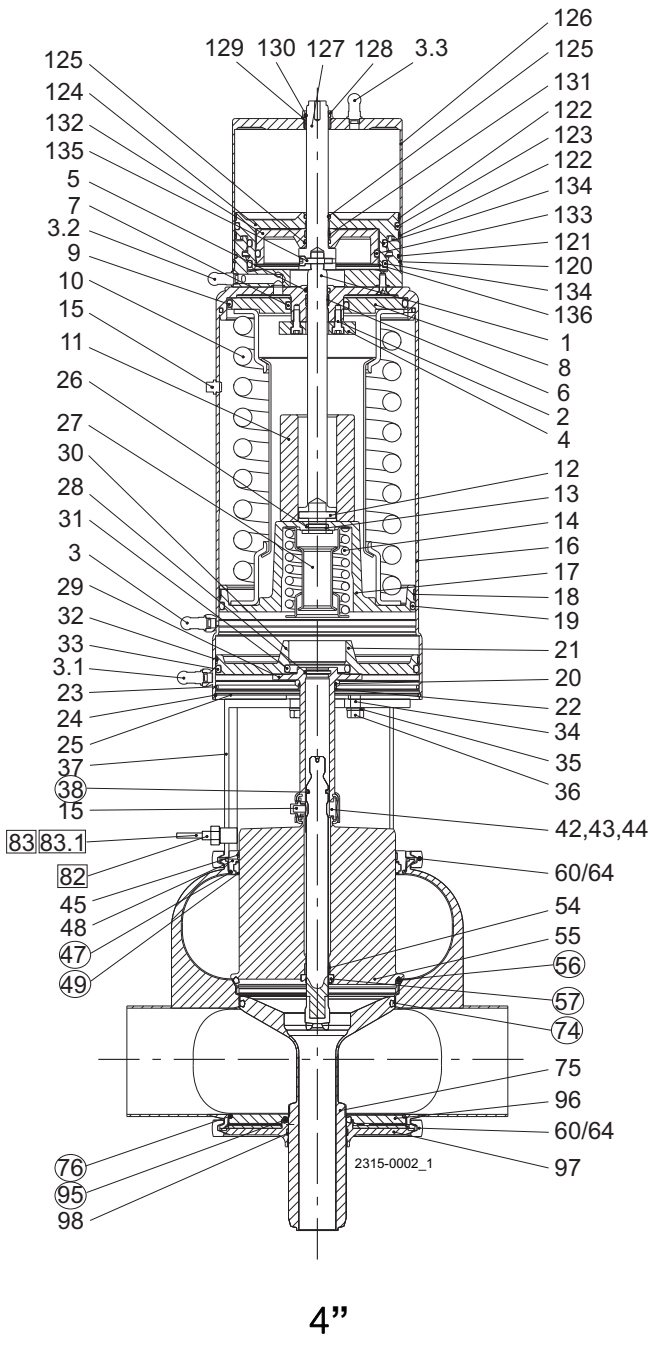
1.8



Pos	Qty	Denomination	4"-6"
82	1	Bolt for indication . . . . .	9613092601
83	1	Sensor for indication . . . . .	9611994916
83,1	1	Cable for sensor for indication . . . . .	9611994915

900-640

1.8



□ = sensor kit  
 ○ = wear parts

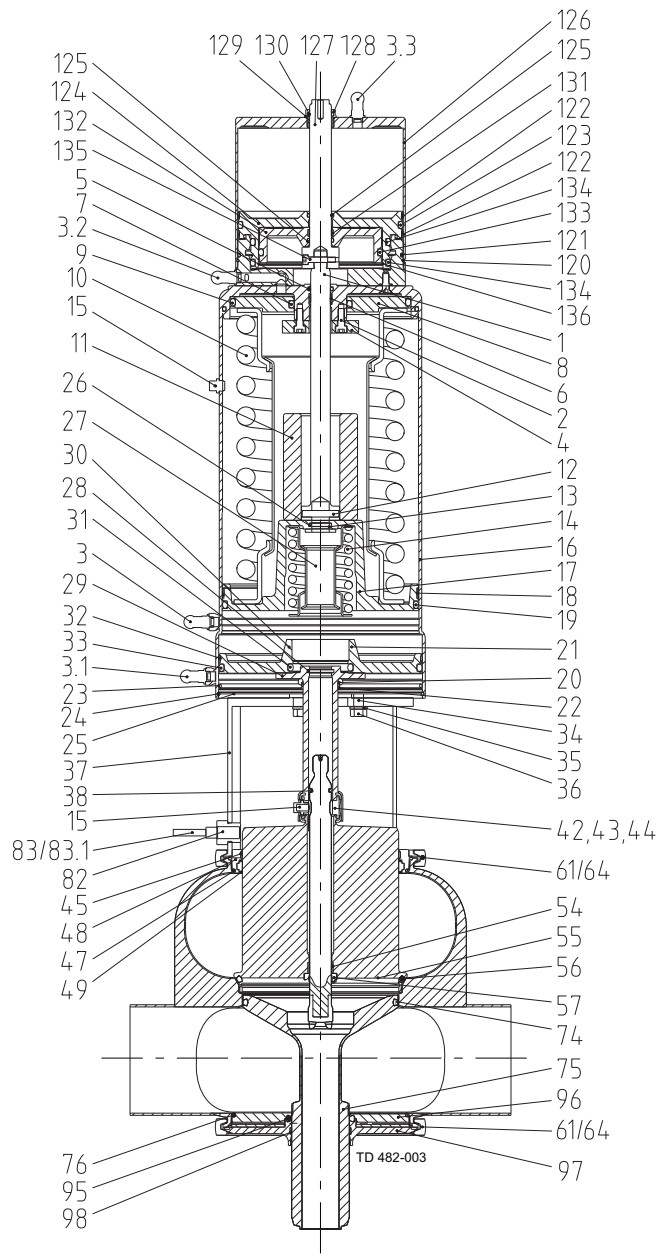
Pos	Qty	Denomination	4"	6"
			Seat ø143.9	Seat ø206.1
38	1	O-ring, EPDM	9611993572	9611993572
47	1	O-ring, EPDM (Standard)	9611993644	9611995003
	1	O-ring, NBR	9611993645	9611995004
	1	O-ring, HNBR	9611993647	9611995006
	1	O-ring, FPM	9611993646	9611995005
49	1	Lip seal, EPDM (Standard)	9613008536	9613008560
	1	Lip seal, NBR	9613008537	9613008565
	1	Lip seal, HNBR	9613008539	9613008563
	1	Lip seal, FPM	9613008538	9613008562
56	1	Seal ring, EPDM (Standard)	9613095123	9613095151
	1	Seal ring, NBR	9613095124	9613095152
	1	Seal ring, HNBR	9613095121	9613095149
	1	Seal ring, FPM	9613095122	9613095150
57	1	Lip seal, EPDM (Standard)	9613008711	9613008711
	1	Lip seal, NBR	9613008718	9613008718
	1	Lip seal, HNBR	9613008714	9613008714
	1	Lip seal, FPM	9613008713	9613008713
74	1	Seal ring, EPDM (Standard)	9613095223	9613095247
	1	Seal ring, NBR	9613095224	9613095248
	1	Seal ring, HNBR	9613095221	9613095245
	1	Seal ring, FPM - Alfa Laval recommends EPDM	9613095222	9613095246
76	1	O-ring, EPDM (Standard)	9611993644	9611995003
	1	O-ring, NBR	9611993645	9611995004
	1	O-ring, HNBR	9611993647	9611995006
	1	O-ring, FPM	9611993646	9611995005
95	1	Special lip seal, EPDM (Standard)	9613464215	9613464247
	1	Special lip seal, NBR	9613464216	9613464248
	1	Special lip seal, HNBR	9613464213	9613464245
	1	Special lip seal, FPM	9613464214	9613464246

1.8

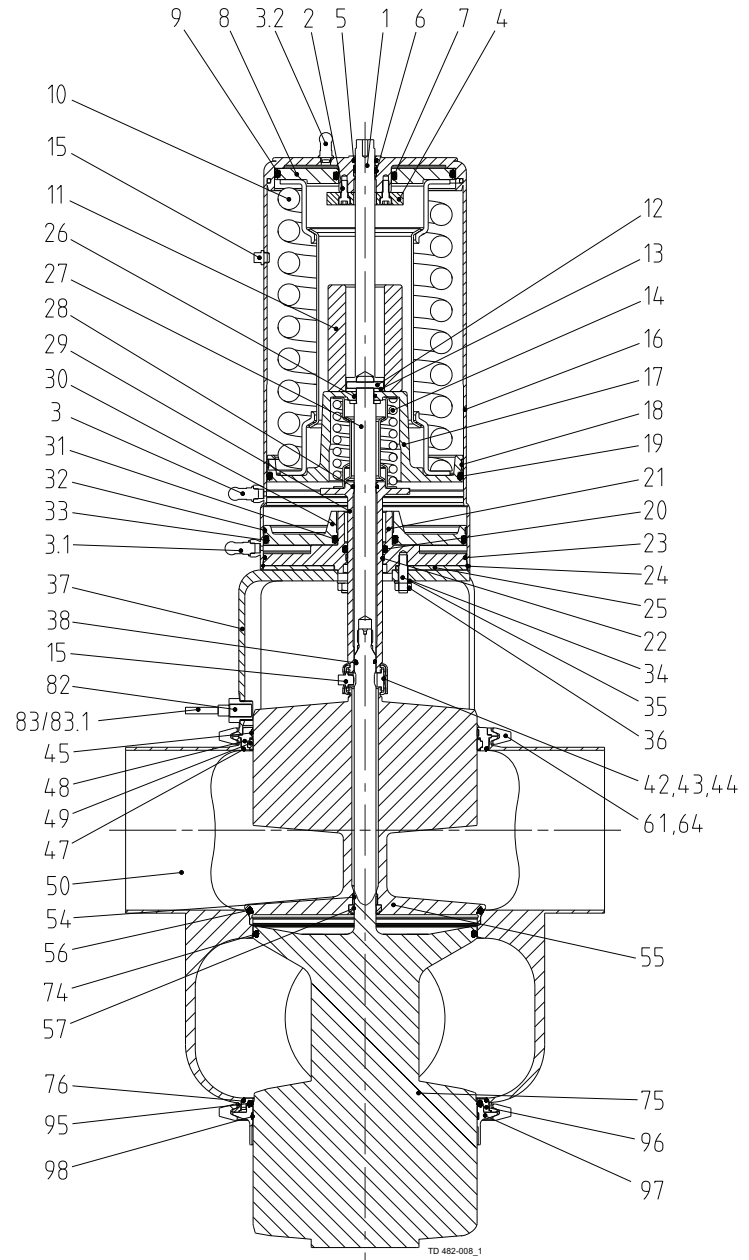
NOTE! All FPM service kits are supplied with EPDM seal ring, pos. 74.



1.8



4"



6"

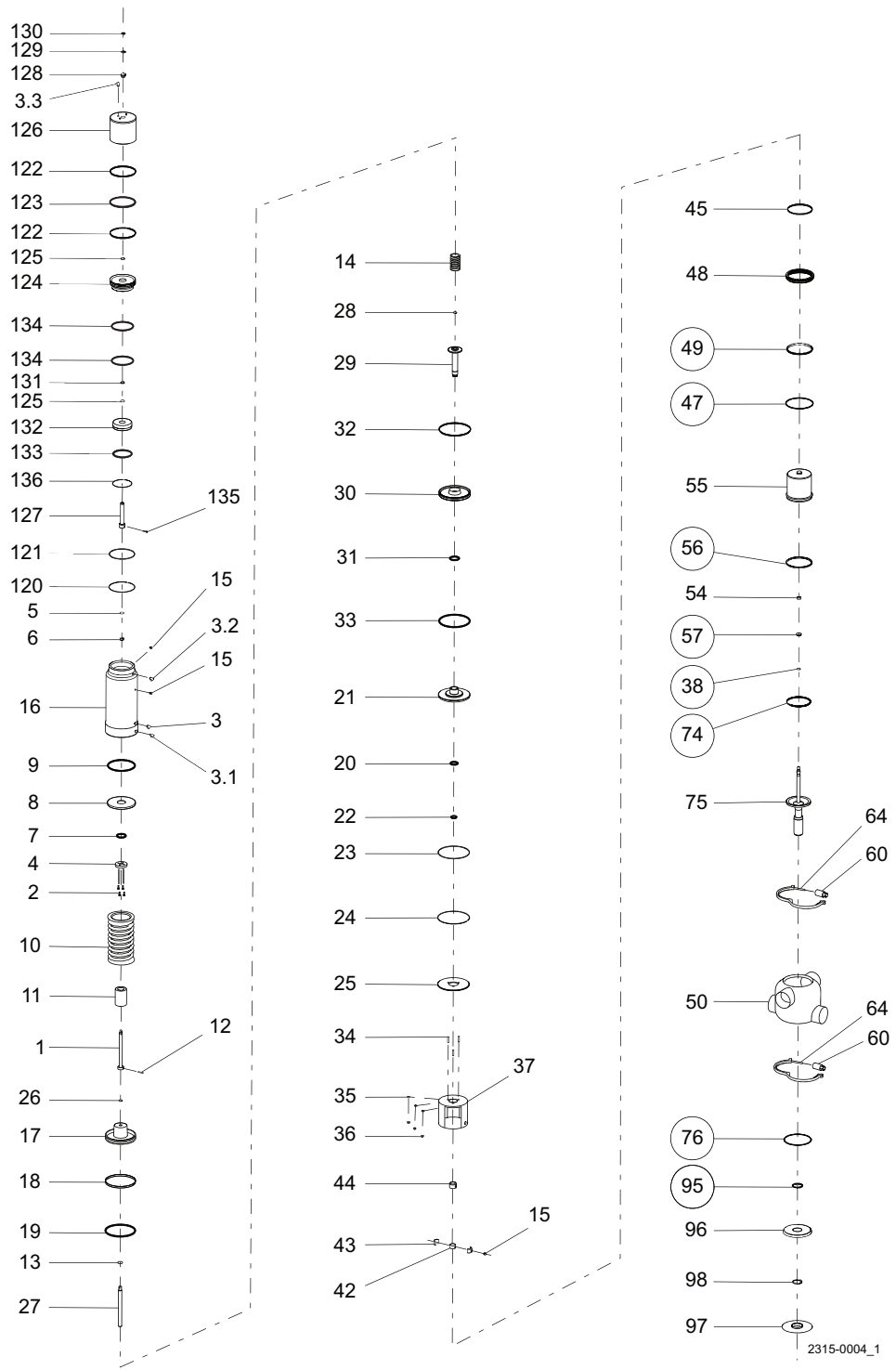
Pos	Qty	Denomination	4"	6"
			Seat ø143.9	Seat ø206.1
38	1	O-ring, EPDM	9611993572	9611993572
47	1	O-ring, EPDM (Standard)	9611993644	9611995003
	1	O-ring, NBR	9611993645	9611995004
	1	O-ring, HNBR	9611993647	9611995006
	1	O-ring, FPM	9611993646	9611995005
49	1	Lip seal, EPDM (Standard)	9613008536	9613008560
	1	Lip seal, NBR	9613008537	9613008565
	1	Lip seal, HNBR	9613008539	9613008563
	1	Lip seal, FPM	9613008538	9613008562
56	1	Seal ring, EPDM (Standard)	9613095123	9613095151
	1	Seal ring, NBR	9613095124	9613095152
	1	Seal ring, HNBR	9613095121	9613095149
	1	Seal ring, FPM	9613095122	9613095150
57	1	Lip seal, EPDM (Standard)	9613008711	9613008711
	1	Lip seal, NBR	9613008718	9613008718
	1	Lip seal, HNBR	9613008714	9613008714
	1	Lip seal, FPM	9613008713	9613008713
74	1	Seal ring, EPDM (Standard)	9613095223	9613095247
	1	Seal ring, NBR	9613095224	9613095248
	1	Seal ring, HNBR	9613095221	9613095245
	1	Seal ring, FPM - Alfa Laval recommends EPDM	9613095222	9613095246
76	1	O-ring, EPDM (Standard)	9611993644	9611995003
	1	O-ring, NBR	9611993645	9611995004
	1	O-ring, HNBR	9611993647	9611995006
	1	O-ring, FPM	9611993646	9611995005
95	1	Special lip seal , EPDM (standard)	9613464215	9613464247
	1	Special lip seal , NBR	9613464216	9613464248
	1	Special lip seal , HNBR	9613464213	9613464245
	1	Special lip seal , FPM	9613464214	9613464246

1.8

NOTE!

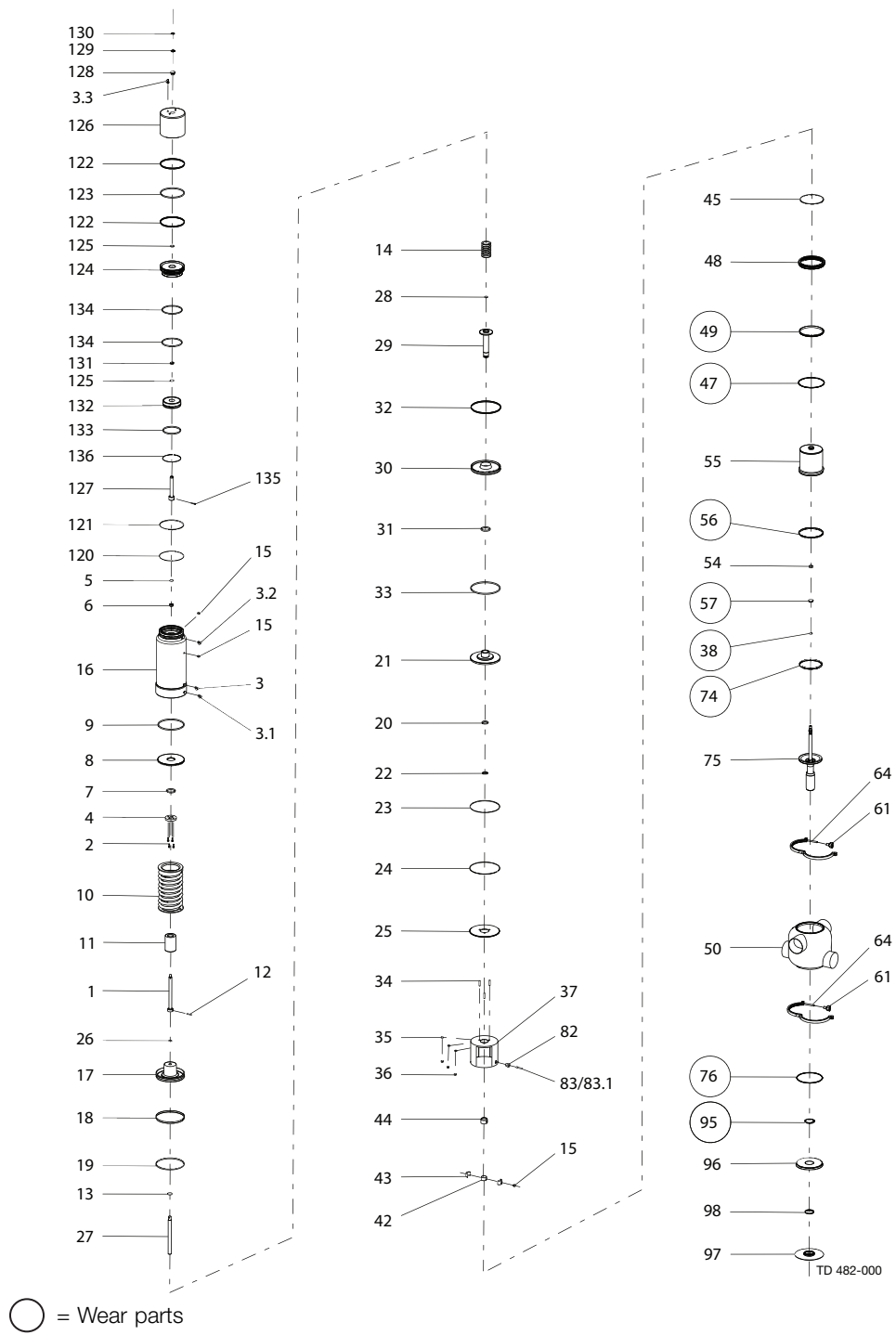
All FPM service kits are supplied with EPDM seal ring, pos. 74.

1.8



Pos	Qty	Denomination	4" Seat ø143.9
1	1	Cpl. Actuator	9614031316
2	4	Upper stem	9614072401
3	1	Screw	9611990144
3.1	1	Air fitting	9611991988
3.2	1	Air fitting	9611991988
3.3	1	Air fitting	9611991988
4	1	Stop for upper piston	9613488301
5	1	O-ring, NBR	9611993499
6	1	Guide ring, Turcite	9613008408
7	1	O-ring, NBR	9611993514
8	1	Upper piston	9613005602
9	1	O-ring, NBR	9611993513
10	1	Spring assembly	9613025605
11	1	Distance spacer	9613010207
12	1	Pin	9611994199
13	1	Washer	9611993596
14	1	Spring assembly	9613009503
15	3	Plug	9613414101
16	1	Cylinder	9613015025
17	1	Main piston	9613015901
18	1	Guide ring, Turcite	9613008411
19	1	O-ring, NBR	9611993509
20	1	O-ring, NBR	9611993607
21	1	Bottom	9613016801
22	1	Guide ring, Turcite	9613008404
23	1	O-ring, NBR	22340675
24	1	Retaining ring	9613024804
25	1	Cover disk	9613005804
26	1	O-ring, NBR	9611993530
27	1	Inner stem	9613007305
28	1	O-ring	9611990030
29	1	Piston rod	9613006004
30	1	Lower piston	9613016601
31	1	O-ring, NBR	42153
32	1	Guide ring, Turcite	9613008407
33	1	O-ring, NBR	9611993510
34	3	Bolt	9611993618
35	3	Washer	9611993594
36	3	Nut	9611990360
42	1	Spindle liner	9613009001
43	2	Clamp	9613009201
44	1	Lock	9613009101
45	1	Guide ring, PTFE	9613008421
48	1	Upper sealing element	9613071301
54	1	Guide ring, PTFE	9613008402
55	1	Upper plug	9613498301
60	2	Hexnut	9613023201
64	2	Clamp without nut	9613021801
75	1	Lower plug	9613495501
96	1	Lower sealing element, upper part	9613498101
97	1	Lower sealing element, lower part	9613498001
98	1	Guide ring, Turcite	9613466107
120	1	Lock ring	9613143203
121	1	O-ring, NBR	9611992579
122	2	Guide ring	9613008428
123	1	O-ring, NBR	9611994283
124	1	Piston	9614072201
125	2	O-ring, NBR	9611994300
126	1	Cylinder	9614058303
127	1	Upper stem, cpl.	9614072301
128	1	Bushing	9613132801
129	1	O-ring	9611994680
130	1	O-ring	9611994300
131	1	Guide ring, Turcite	9613008424
132	1	Inner piston	9614072501
133	1	O-ring	9611990033
134	2	O-ring	9611990035
135	1	Screw	9611995302
136	1	Lock ring	9614072601

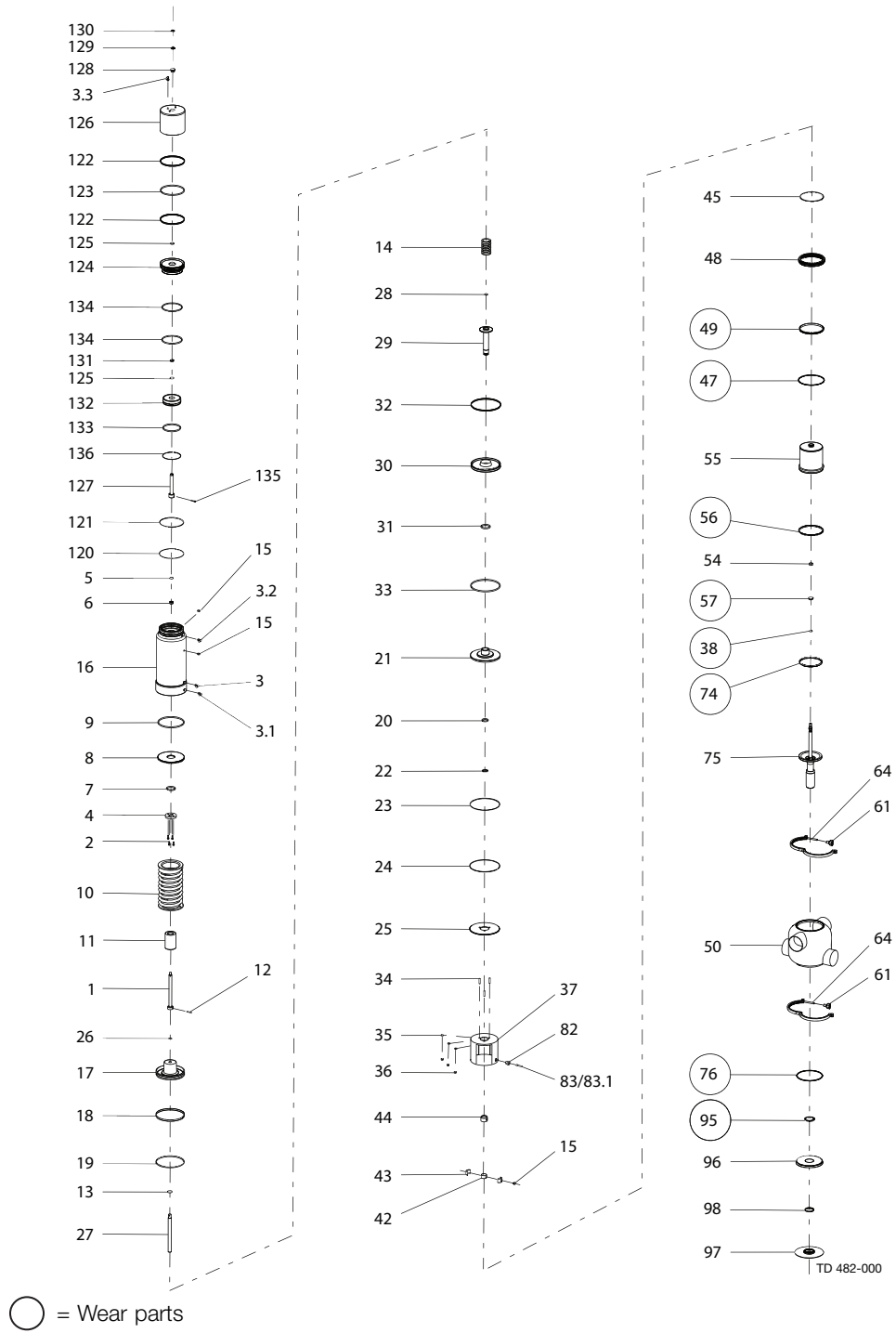
1.8



Pos	Qty	Denomination	4" Seat ø143.9
1	1	Cpl. Actuator	9613489036
2	4	Upper stem	9614072401
3	1	Screw	9611990144
3.1	1	Air fitting, blue	9611993780
3.2	1	Air fitting, red	9611994172
3.3	1	Air fitting, yellow	9611994171
4	1	Air fitting, blue	9611993780
5	1	Stop for upper piston	9613488301
6	1	O-ring, NBR	9611993499
7	1	Guide ring, Turcite	9613008408
8	1	O-ring, NBR	9611993514
9	1	Upper piston	9613005602
10	1	O-ring, NBR	9611993513
11	1	Spring assembly	9613025605
12	1	Distance spacer	9613010207
13	1	Pin	9611994199
14	1	Washer	9611993596
15	1	Spring assembly	9613009503
16	3	Plug	9613414101
17	1	Cylinder (3A marking)	9614053704
18	1	Main piston	9613015901
19	1	Guide ring, Turcite	9613008411
20	1	O-ring, NBR	9611993509
21	1	O-ring, NBR	9611993607
22	1	Bottom	9613016801
23	1	Guide ring, Turcite	9613008404
24	1	O-ring, NBR	22340675
25	1	Retaining ring	9613024804
26	1	Cover disk	9613005804
27	1	O-ring, NBR	9611993530
28	1	Inner stem	9613007305
29	1	O-ring	9611990030
30	1	Piston rod	9613006004
31	1	Lower piston	9613016601
32	1	O-ring, NBR	42153
33	1	Guide ring, Turcite	9613008407
34	1	O-ring, NBR	9611993510
35	3	Bolt	9611993618
36	3	Washer	9611993594
42	3	Nut	9611990360
43	1	Spindle liner	9613009001
44	2	Clamp	9613009201
	1	Lock	9613009101

• Actuator service kit, part no. 9611926990

1.8



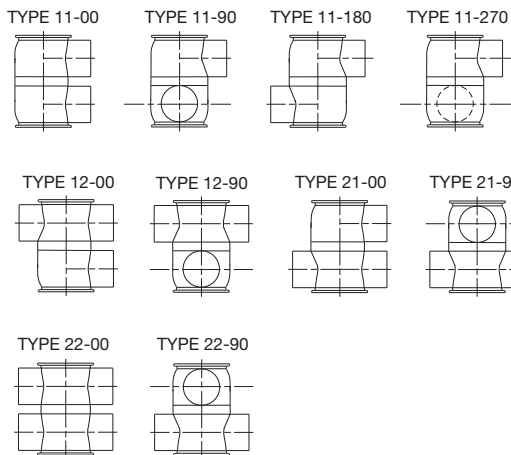
Pos	Qty	Denomination	4" Seat ø143.9
45	1	Guide ring, PTFE	9613008421
48	1	Upper sealing element	9613071301
54	1	Guide ring, PTFE	9613008402
55	1	Upper plug	9613498301
61	2	Wingnut	9612558001
64	2	Clamp without nut	9613021801
75	1	Lower plug	9613495501
82 Δ	1	Bolt for indication	9613092604
83 Δ	1	Sensor for indication	9611995770
83.1	1	Cable for sensor for indication	9611994915
96	1	Lower sealing element, upper part	9613498101
97	1	Lower sealing element, lower part	9613498001
98	1	Guide ring, Turcite	9613466107
120	1	Lock ring	9613143203
121 ●	1	O-ring, NBR	9611992579
122 ●	2	Guide ring	9613008428
123 ●	1	O-ring, NBR	9611994283
124	1	Piston	9614072201
125 ●	2	O-ring, NBR	9611994300
126	1	Cylinder	9614058302
127	1	Upper stem, cpl.	9614072301
128 ●	1	Bushing	9613132801
129 ●	1	O-ring	9611994680
130 ●	1	O-ring	9611994300
131 ●	1	Guide ring, Turcite	9613008424
132	1	Inner piston	9614072501
133 ●	1	O-ring	9611990033
134 ●	2	O-ring	9611990035
135	1	Screw	9611995302
136	1	Lock ring	9614072601

Note!

Δ Sensor service kit for valves delivered prior to October 2015 - 9611928352

900-584/4

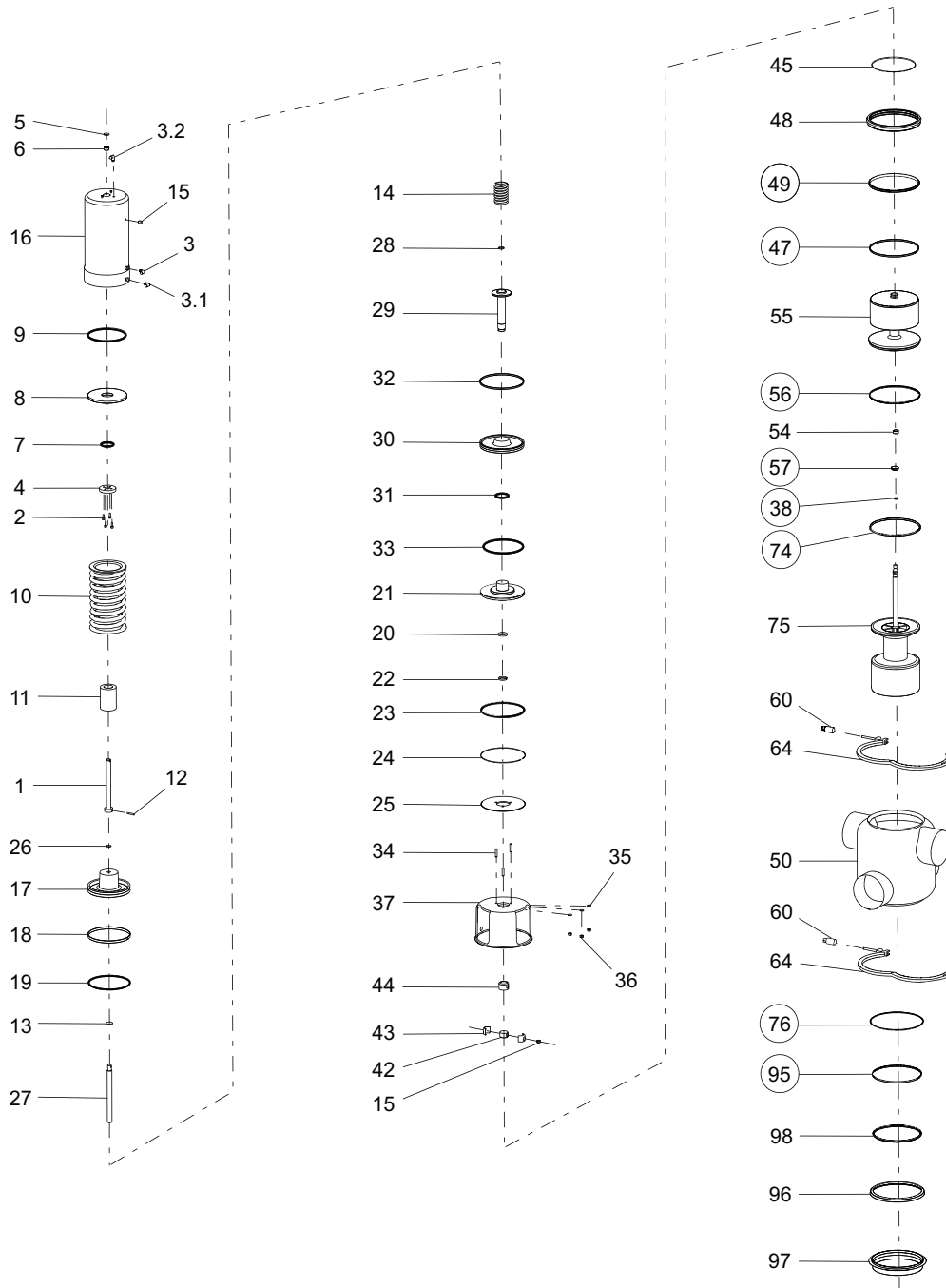
Pos	Qty	Denomination	4" Seat ø143.9
37	1	Intermediate piece	9613019319
50	1	Valve body , 11-00	9613493301
	1	Valve body , 12-00	9613493305
	1	Valve body , 21-00	9613493307
	1	Valve body , 22-00	9613493309
	1	Valve body , 11-90	9613493302
	1	Valve body , 12-90	9613493306
	1	Valve body , 21-90	9613493308
	1	Valve body , 22-90	9613493310
	1	Valve body , 11-180	9613493303
	1	Valve body , 11-270	9613493304



TD 449-014\_4



1.8

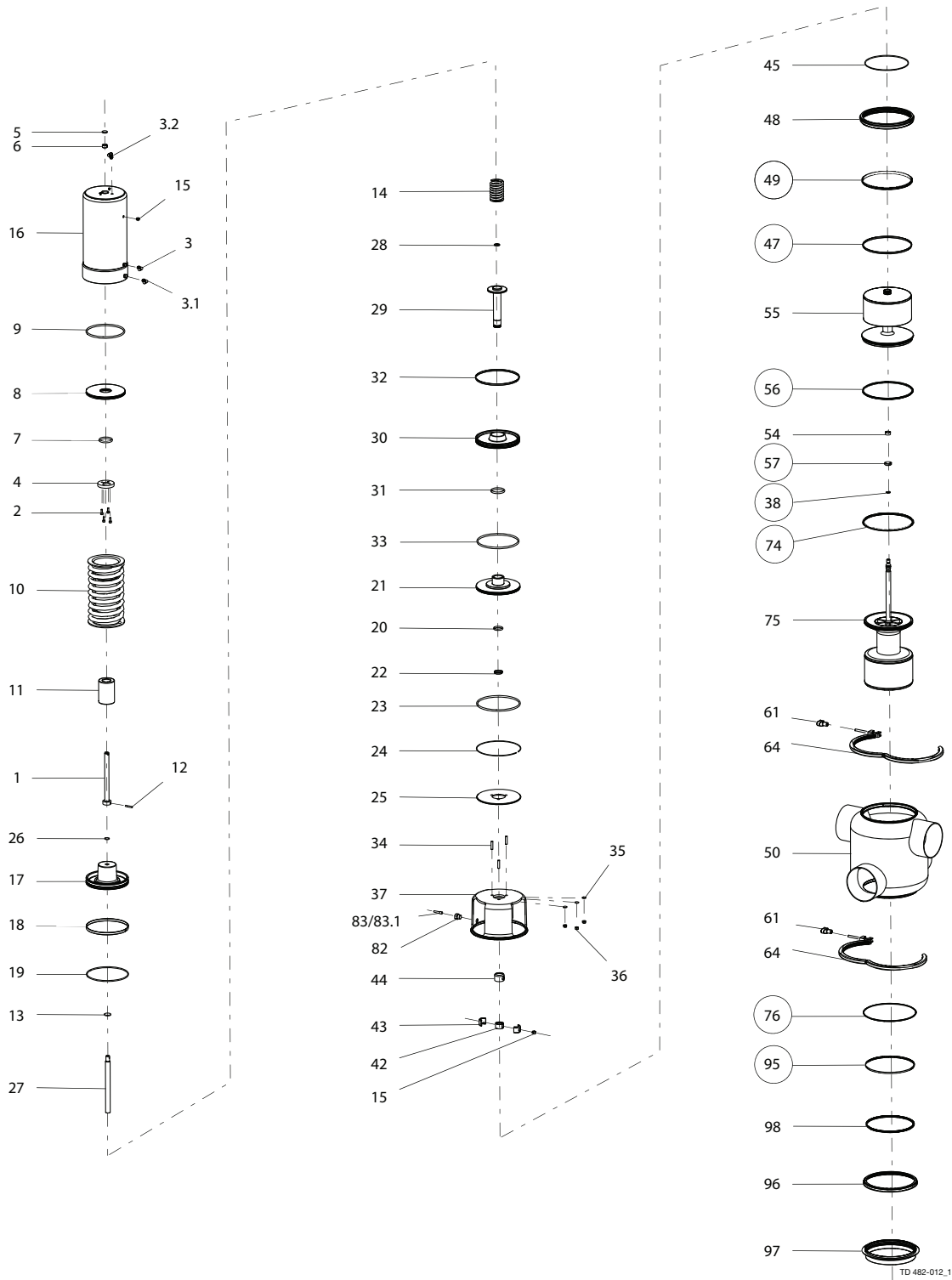


2315-0005\_1

○ = Wear parts

Pos	Qty	Denomination	6" Seat 206.1
1	1	Cpl. Actuator	9614031312
2	4	Upper stem	9613007404
3	1	Screw	9611990144
3.1	1	Air fitting	9611991988
3.2	1	Air fitting	9611991988
4	1	Stop for upper piston	9613488301
5	1	O-ring, NBR	9611993499
6	1	Guide ring, Turcite	9613008408
7	1	O-ring, NBR	9611993514
8	1	Upper piston	9613005602
9	1	O-ring, NBR	9611993513
10	1	Spring assembly	9613025605
11	1	Distance spacer	9613010207
12	1	Pin	9611994199
13	1	Washer	9611993596
14	1	Spring assembly	9613009503
15	2	Plug	9613414101
16	1	Cylinder	9613015036
17	1	Main piston	9613015901
18	1	Guide ring, Turcite	9613008411
19	1	O-ring, NBR	9611993509
20	1	O-ring, NBR	9611993607
21	1	Bottom	9613016801
22	1	Guide ring, Turcite	9613008404
23	1	O-ring, NBR	22340675
24	1	Retaining ring	9613024804
25	1	Cover disk	9613005804
26	1	O-ring, NBR	9611993530
27	1	Inner stem	9613007305
28	1	O-ring	9611990030
29	1	Piston rod	9613006004
30	1	Lower piston	9613016601
31	1	O-ring, NBR	42153
32	1	Guide ring, Turcite	9613008407
33	1	O-ring, NBR	9611993510
34	3	Bolt	9611993618
35	3	Washer	9611993594
36	3	Nut	9611990360
42	1	Spindle liner	9613009001
43	2	Clamp	9613009201
44	1	Lock	9613009101
45	1	Guide ring, PTFE	9613008426
48	1	Upper sealing element	9613488001
54	1	Guide ring, PTFE	9613008402
55	1	Upper plug	9613488901
60	2	Hexnut	9613146001
64	2	Clamp without nut	9613488401
75	1	Lower plug	9613494601
96	1	Lower sealing element, upper part	9613488101
97	1	Lower sealing element, lower part	9613488201
98	1	Guide ring, Turcite	9613466106

1.8



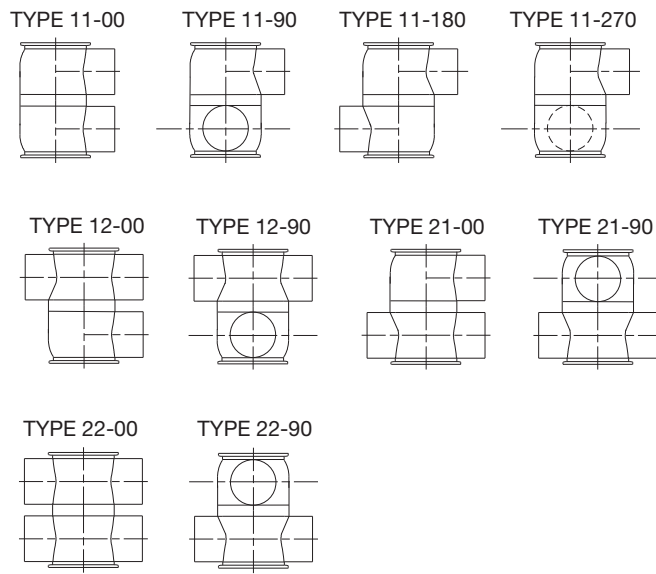
Pos	Qty	Denomination	6" Seat ø206.1
1	1	Cpl. Actuator	9613489032
2	4	Upper stem	9613007404
3	1	Screw	9611990144
3.1	1	Air fitting , blue	9611993780
3.2	1	Air fitting , red	9611994172
4	1	Air fitting , yellow	9611994171
5	1	Stop for upper piston	9613488301
6	1	O-ring, NBR	9611993499
7	1	Guide ring, Turcite	9613008408
8	1	O-ring, NBR	9611993514
9	1	Upper piston	9613005602
10	1	O-ring, NBR	9611993513
11	1	Spring assembly	9613025605
12	1	Distance spacer	9613010207
13	1	Pin	9611994199
14	1	Washer	9611993596
15	1	Spring assembly	9613009503
16	2	Plug	9613414101
17	1	Cylinder (3A marking)	9613015037
18	1	Main piston	9613015901
19	1	Guide ring, Turcite	9613008411
20	1	O-ring, NBR	9611993509
21	1	O-ring, NBR	9611993607
22	1	Bottom	9613016801
23	1	Guide ring, Turcite	9613008404
24	1	O-ring, NBR	22340675
25	1	Retaining ring	9613024804
26	1	Cover disk	9613005804
27	1	O-ring, NBR	9611993530
28	1	Inner stem	9613007305
29	1	O-ring	9611990030
30	1	Piston rod	9613006004
31	1	Lower piston	9613016601
32	1	O-ring, NBR	42153
33	1	Guide ring, Turcite	9613008407
34	1	O-ring, NBR	9611993510
35	3	Bolt	9611993618
36	3	Washer	9611993594
42	3	Nut	9611990360
43	1	Spindle liner	9613009001
44	2	Clamp	9613009201
	1	Lock	9613009101

• Actuator service kit, part no. 9611926416

Pos	Qty	Denomination	
45	1	Guide ring, PTFE	9613008426
48	1	Upper sealing element	9613488001
54	1	Guide ring, PTFE	9613008402
55	1	Upper plug	9613488901
61	2	Wing nut	9613149501
64	2	Clamp without nut	9613488401
75	1	Lower plug	9613494601
82 Δ	1	Bolt for indication	9613092604
83 Δ	1	Sensor for indication	9611995770
83.1	1	Cable for sensor for indication	9611994915
96	1	Lower sealing element, upper part	9613488101
97	1	Lower sealing element, lower part	9613488201
98	1	Guide ring, Turcite	9613466106

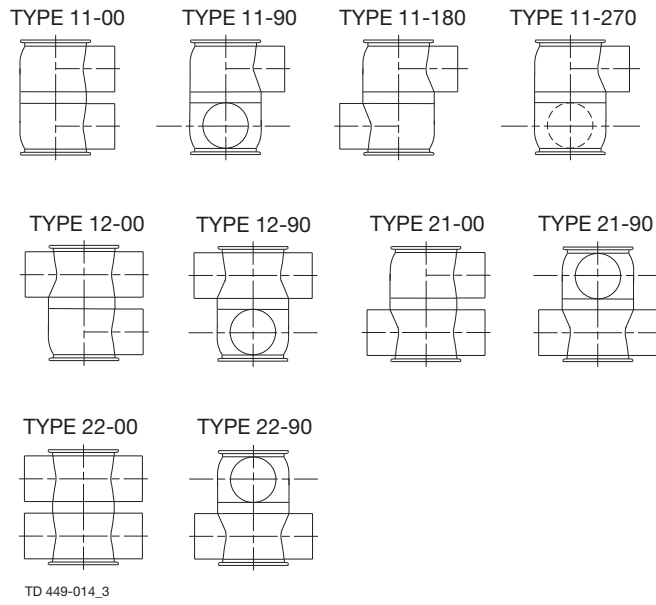
Note!

Δ Sensor service kit for valves delivered prior to October 2015 - 9611928352

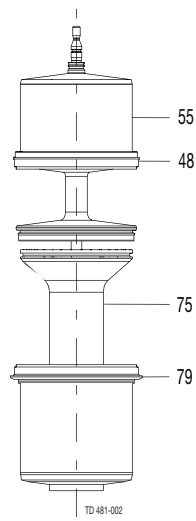


TD 449-014\_3

Pos	Qty	Denomination	6" Seat ø206.1
37	1	Intermediate piece . . . . .	9613496601
50	1	Valve body , 11-00 . . . . .	9613492001
	1	Valve body , 12-00 . . . . .	9613492005
	1	Valve body , 21-00 . . . . .	9613492007
	1	Valve body , 22-00 . . . . .	9613492009
	1	Valve body , 11-90 . . . . .	9613492002
	1	Valve body , 12-90 . . . . .	9613492006
	1	Valve body , 21-90 . . . . .	9613492008
	1	Valve body , 22-90 . . . . .	9613492010
	1	Valve body , 11-180 . . . . .	9613492003
	1	Valve body , 11-270 . . . . .	9613492004



Service Kits



Pos	Qty	Denomination	4"	6"
37	1	Intermediate piece . . . . .	9613019319	9613496601
50	1	Valve body, 11-00 . . . . .	9614196601	9614196611
	1	Valve body, 12-00 . . . . .	9614196605	9614196615
	1	Valve body, 21-00 . . . . .	9614196607	9614196617
	1	Valve body, 22-00 . . . . .	9614196609	9614196619
	1	Valve body, 11-90 . . . . .	9614196602	9614196612
	1	Valve body, 12-90 . . . . .	9614196606	9614196616
	1	Valve body, 21-90 . . . . .	9614196608	9614196618
	1	Valve body, 22-90 . . . . .	9614196610	9614196620
	1	Valve body, 11-180 . . . . .	9614196603	9614196613
	1	Valve body, 11-270 . . . . .	9614196604	9614196614

1.8

**Service kits**

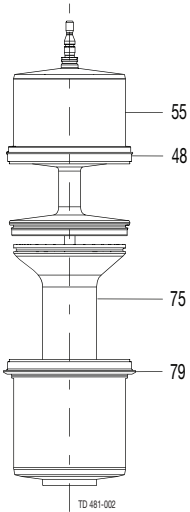
---

<b>4"</b>		
	Service kit, NBR . . . . .	9611926865
	Service kit, EPDM . . . . .	9611926866
	Service kit, HNBR . . . . .	9611926867
	Service kit, FPM . . . . .	9611926868
<b>6"</b>		
	Service kit, NBR . . . . .	9611926857
	Service kit, EPDM . . . . .	9611926858
	Service kit, HNBR . . . . .	9611926859
	Service kit, FPM . . . . .	9611926860

NOTE!  
 All FPM service kits are supplied with EPDM seal ring, pos. 74.



1.8



Plug set-up 12

Service Kits

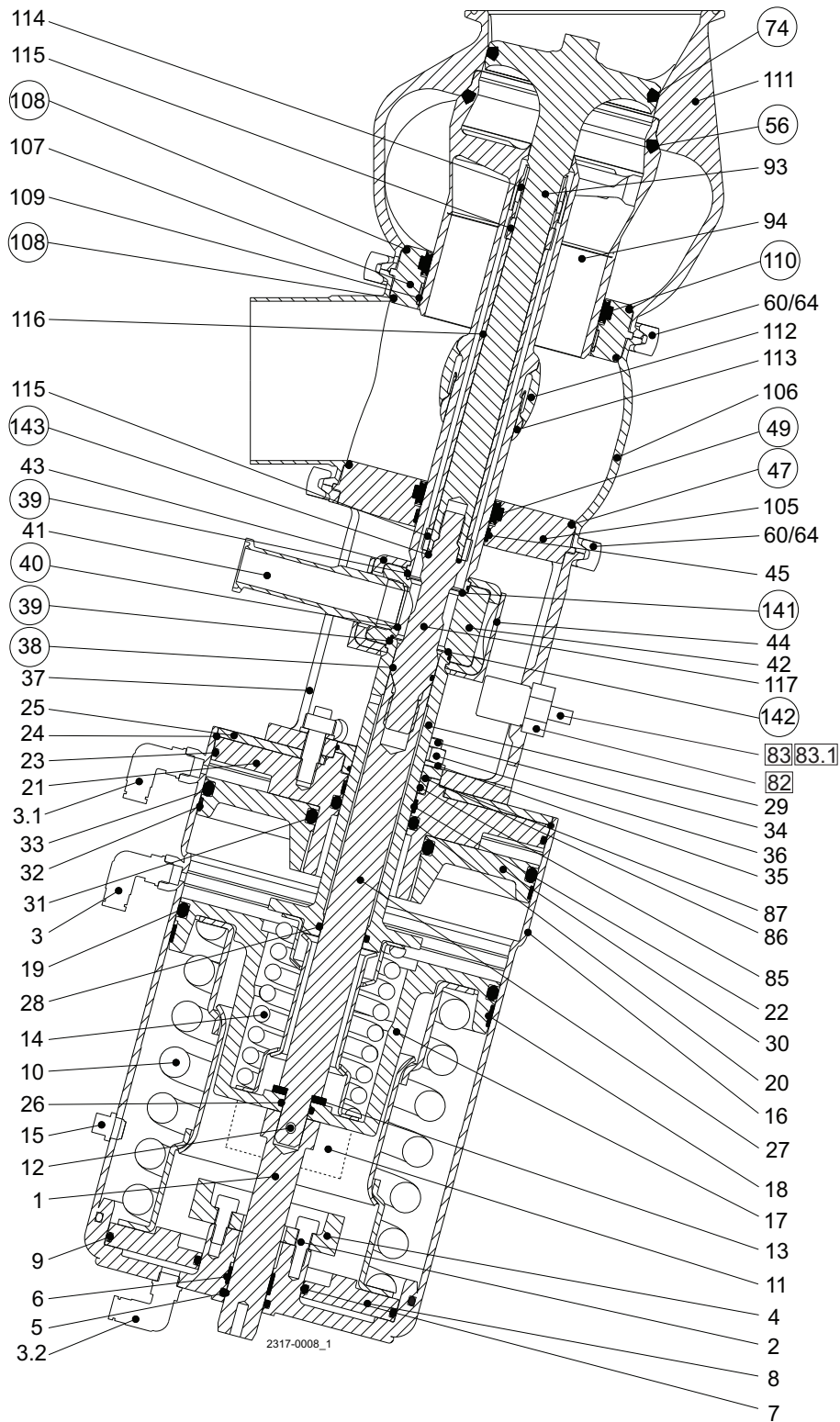
---

<b>4"</b>		
Service kit, NBR	.....	9611926865
Service kit, EPDM	.....	9611926866
Service kit, HNBR	.....	9611926867
Service kit, FPM	.....	9611926868
<b>6"</b>		
Service kit, NBR	.....	9611926857
Service kit, EPDM	.....	9611926858
Service kit, HNBR	.....	9611926859
Service kit, FPM	.....	9611926860

NOTE!  
 All FPM service kits are supplied with EPDM seal ring, pos. 74.

900-584/4

1.8

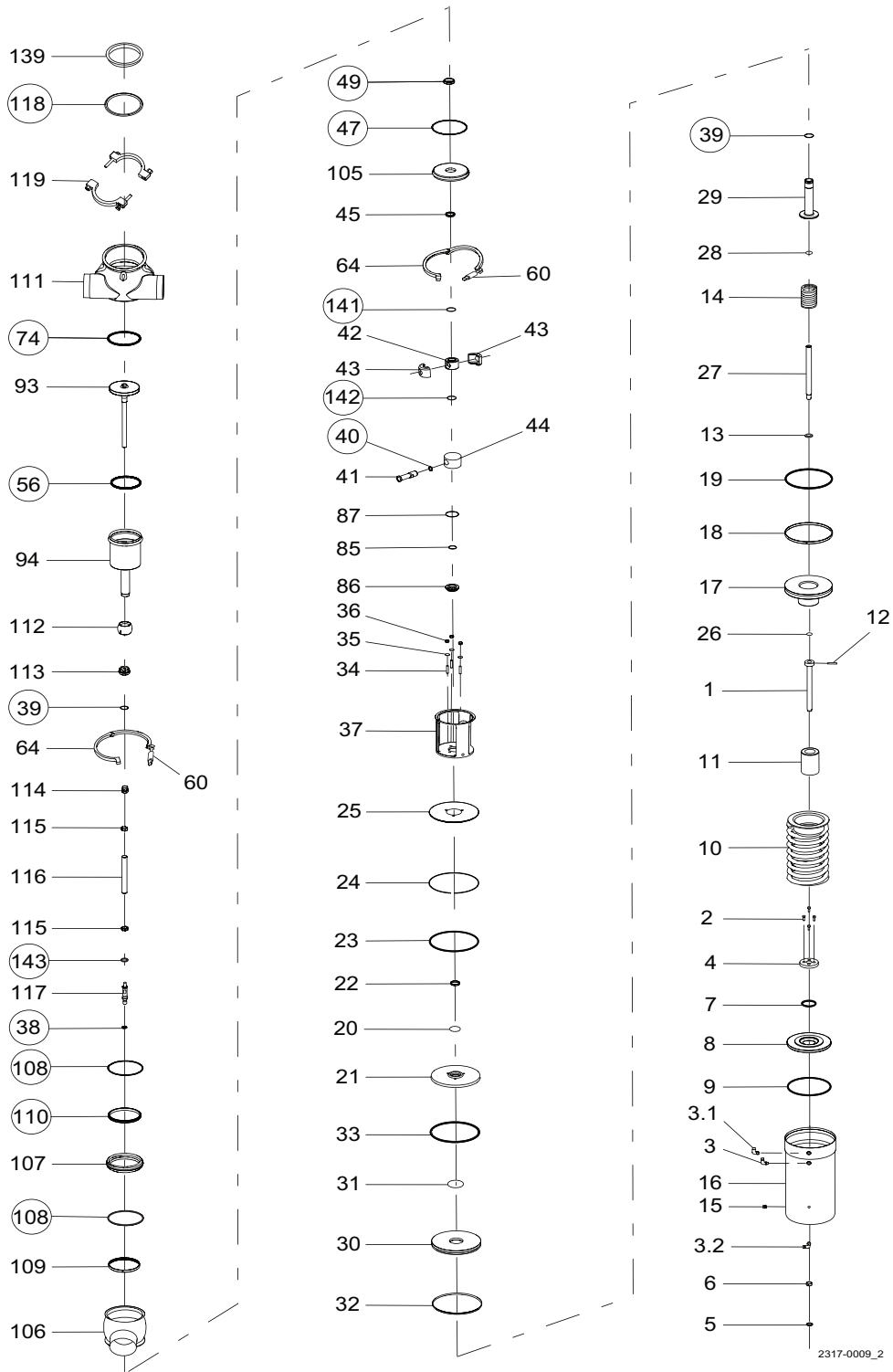


Pos	Qty	Denomination	2½"	4"	6"
			3" seat ø81.3	Seat ø115.3	Seat ø206.1
38	1	O-ring, EPDM	9611992671	9611992671	9611992671
39	2	O-ring, EPDM	9611993493	9611993493	
	1	O-ring, EPDM			9611993493
	1	O-ring, EPDM			9611995160
40	1	O-ring, EPDM	9611992671	9611992671	9611992671
47	1	O-ring, EPDM (Standard)	9611993636	9611993640	9611995003
	1	O-ring, NBR	9611993637	9611993641	9611995004
	1	O-ring, HNBR	9611993639	9611993643	9611995006
	1	O-ring, FPM	9611993638	9611993642	9611995005
49	1	Lip seal, EPDM (Standard)	9613008511	9613008511	9613008516
	1	Lip seal, NBR	9613008543	9613008543	9613008517
	1	Lip seal, HNBR	9613008514	9613008514	9613008519
	1	Lip seal, FPM	9613008513	9613008513	9613008518
56	1	Seal ring, EPDM (Standard)	9613095109	9613095112	9613095151
	1	Seal ring, NBR	9613095115	9613095116	9613095152
	1	Seal ring, HNBR	9613095107	9613095110	9613095149
	1	Seal ring, FPM	9613095108	9613095111	9613095150
74	1	Seal ring, EPDM (Standard)	9613095209	9613095212	9613095247
	1	Seal ring, NBR	9613095215	9613095216	9613095248
	1	Seal ring, HNBR	9613095207	9613095210	9613095245
	1	Seal ring, FPM - Alfa Laval recommends EPDM	9613095208	9613095211	9613095246
108	2	O-ring, EPDM (Standard)	9611993636	9611993640	9611995003
	2	O-ring, NBR	9611993637	9611993641	9611995004
	2	O-ring, HNBR	9611993639	9611993643	9611995006
	2	O-ring, FPM	9611993638	9611993642	9611995005
110	1	Lip seal, EPDM (Standard)	9613008526	9613008531	9613008560
	1	Lip seal, NBR	9613008546	9613008547	9613008565
	1	Lip seal, HNBR	9613008529	9613008534	9613008563
	1	Lip seal, FPM	9613008528	9613008533	9613008562
118	1	Clamp packing, EPDM (Standard)	290025	290131	290226
	1	Clamp packing, NBR	298349	298220	298222
	1	Clamp packing, HNBR	290172	290182	290237
	1	Clamp packing, FPM	290172	290182	290237
141	1	O-ring, EPDM	9611993493	9611993493	9611993493
142	1	O-ring, EPDM	9611993493	9611993493	9611995347
143	1	O-ring, EPDM	9611995345	9611995345	9611995346

1.8

NOTE! All FPM service kits are supplied with EPDM seal ring, pos. 74.

1.8



Pos	Qty	Denomination	2½"	3"	4"	6"	6"
			Seat ø81.3	Seat ø81.3)	Seat ø115.3	(Stroke 75 mm) Seat ø206.1	(Stroke 59 mm) Seat ø206.1
1	1	Cpl. Actuator	9613099541	9613099541	9614031332	9614031332	9614031336
		Upper stem	9613007406	9613007406	9613007405	9613007405	9613007405
2	4	Screw	9611993342	9611993342	9611990144	9611990144	9611993342
3	1	Air fitting	9611991988	9611991988	9611991988	9611991988	9611991988
3.1	1	Air fitting	9611991988	9611991988	9611991988	9611991988	9611991988
3.2	1	Air fitting	9611991988	9611991988	9611991988	9611991988	9611991988
4	1	Stop for upper piston	9613005301	9613005301	9613488301	9613488301	9613005301
5	1	O-ring, NBR	9611993499	9611993499	9611993499	9611993499	9611993499
6	1	Guide ring, Turcite	9613008408	9613008408	9613008408	9613008408	9613008408
7	1	O-ring, NBR	9611995099	9611995099	9611995099	9611995099	9611995099
8	1	Upper piston	9614032101	9614032101	9614032102	9614032102	9614032102
9	1	O-ring, NBR	9611995097	9611995097	9611995098	9611995098	9611995098
10	1	Spring assembly	9613007501	9613007501	9613025607	9613025607	9613025606
11	1	Distance spacer			9613010207	9613010207	9613010207
12	1	Pin	9611994198	9611994198	9611994199	9611994199	9611994199
13	1	Washer	9611993595	9611993595	9611993596	9611993596	9611993596
14	1	Spring assembly	9613009504	9613009504	9613009504	9613009504	9613009504
15	1	Plug	9613414101	9613414101	9613414101	9613414101	9613414101
16	1	Cylinder	9613005113	9613005113	9613015027	9613015027	9613015027
17	1	Main piston	9614032201	9614032201	9614032202	9614032202	9614032202
18	1	Guide ring, Turcite	9613008410	9613008410	9613008411	9613008411	9613008411
19	1	O-ring, NBR	9611993507	9611993507	9611993509	9611993509	9611993509
20	1	O-ring, NBR	9611993607	9611993607	9611993607	9611993607	9611993607
21	1	Bottom	9613005401	9613005401	9613016801	9613016801	9613016801
22	1	Guide ring, Turcite	9613008404	9613008404	9613008404	9613008404	9613008404
23	1	O-ring, NBR	9611991489	9611991489	22340675	22340675	22340675
24	1	Retaining ring	9613024803	9613024803	9613024804	9613024804	9613024804
25	1	Cover disk	9613005803	9613005803	9613005804	9613005804	9613005804
26	1	O-ring, NBR	9611993495	9611993495	9611993530	9611993530	9611993530
27	1	Inner stem	9613007301	9613007301	9613007305	9613007305	9613007305
28	1	O-ring	9611990030	9611990030	9611990030	9611990030	9611990030
29	1	Piston rod	9613006006	9613006006	9613006005	9613006005	9613006005
30	1	Lower piston	9613005501	9613005501	9613016601	9613016601	9613016601
31	1	O-ring, NBR	42153	42153	42153	42153	42153
32	1	Guide ring, Turcite	9613008406	9613008406	9613008407	9613008407	9613008407
33	1	O-ring, NBR	9611993508	9611993508	9611993510	9611993510	9611993510
34	3	Bolt	9611995392	9611995392	9611995392	9611995392	9611995392
35	2	Washer	9611993594	9611993594	9611993594	9611993594	9611993594
35.1	1	Washer	9611992559	9611992559	9611992559	9611992559	9611992559
36	3	Nut	9611990360	9611990360	9611990360	9611990360	9611990360
41	1	Flushing tube	9614030801	9614030801	9614030802	9614030803	9614030803
42	1	Spindle liner	9614030701	9614030701	9614030701	9614031901	9614031901
43	2	Clamp	9614030601	9614030601	9614030601	9614031801	9614031801

1.8

Actuator diameter  
Actuator type

Ø157      Ø186  
4-TO Basic      6-TO Basic

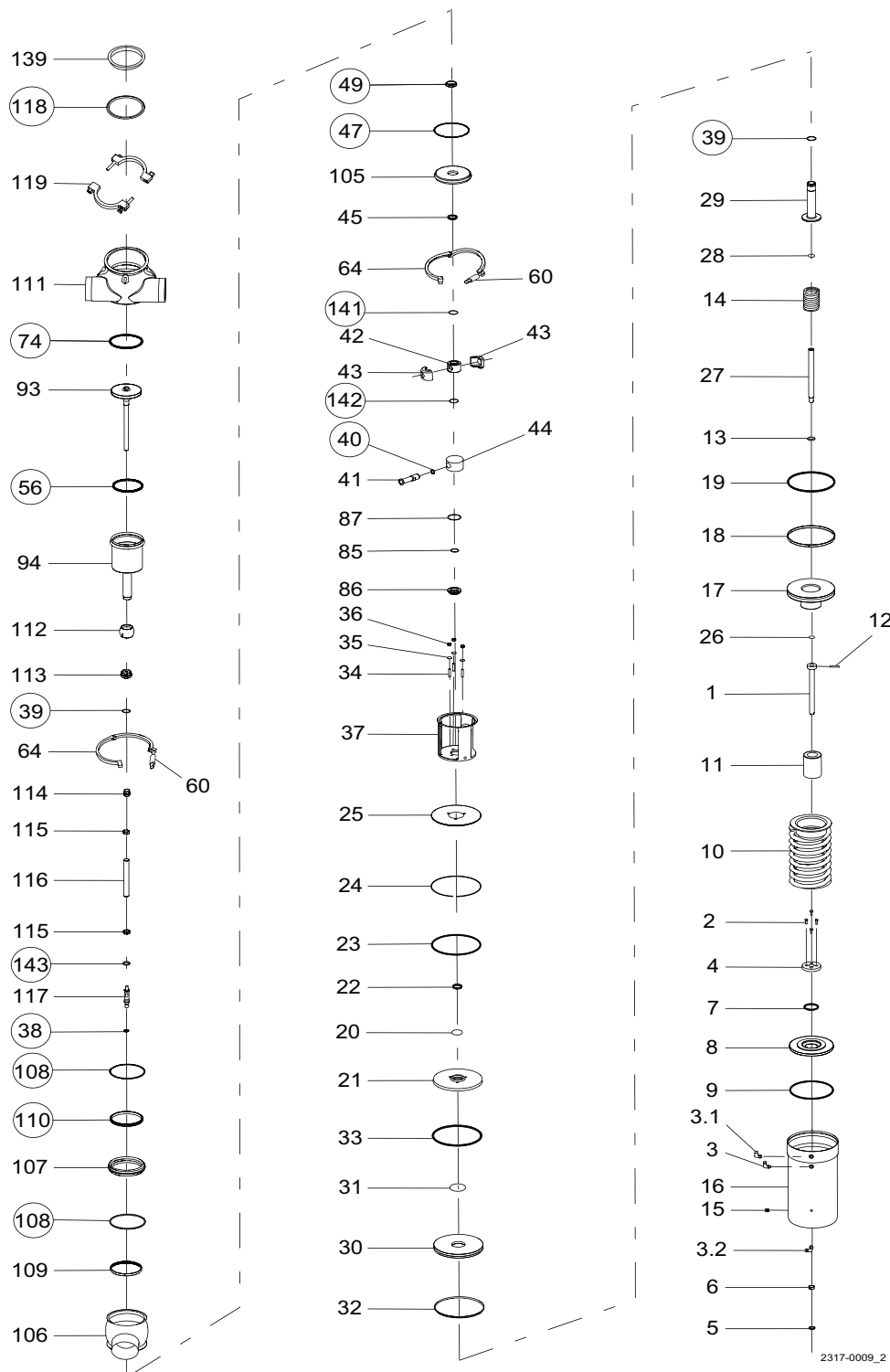
Connection size\*

2.5" + 3"      6-TO Strong  
4" + 6"

- Actuator service kit, part no.

9611928349      9611928350

1.8



2317-0009\_2

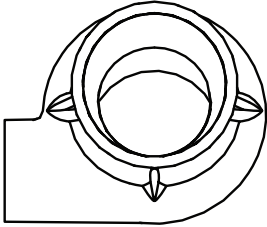
Pos	Qty	Denomination	2½"	3"	4"	6"	6"
			Seat ø81.3	Seat ø81.3	Seat ø115.3	(Stroke 75 mm) Seat ø206.1	(Stroke 59 mm) Seat ø206.1
44	1	Lock	9614030501	9614030501	9614030502	9614030502	9614030502
45	1	Guide ring, PTFE	9613008417	9613008417	9613008417	9613008412	9613008412
60	2	Hexnut	9613023201	9613023201	9613023201	9613146001	9613146001
64	2	Clamp without nut	9613021601	9613021601	9614076601	9613488401	9613488401
85	1	O-ring	9611990092	9611990092	9611990092	9611990092	9611990092
86	1	Plug for actuator	9613099002	9613099002	9613099002	9613099002	9613099002
87	1	O-ring	9611994599	9611994599	9611994599	9611994599	9611994599
93	1	Tank plug	9614007901	9614006601	9614008201	9614008501	9614008501
94	1	Balance plug	9614010701	9614009301	9614011001	9614011301	9614011301
105	1	Upper sealing element	9613006403	9613006403	9613018803	9614001101	9614001101
107	1	Sealing element	9614001301	9614001301	9614001401	9614001501	9614001501
109	1	Guide ring, PTFE	9613466108	9613466108	9613466109	9613466110	9613466110
112	1	Rotating nozzle	9614010101	9614010101	9614010101	9614011701	9614011701
113	1	Lockring rotating nozzle	9614010201	9614010201	9614010201	9614011801	9614011801
114	1	Rotating nozzle	9614007101	9614007101	9614007101	9614008901	9614008901
115	2	Guiding rotating nozzle	9614007201	9614007201	9614007201	9614009001	9614009001
116	1	Pipe	9614007302	9614007303	9614007304	9614007305	9614007305
117	1	Spindle	9614007401	9614007401	9614007401	9614009101	9614009101
119	1	Clamp	210042	210042	9634048982	9634085294	9634085294
139	1	Clamp ferrule	610373	610373	9634049938	660026	660026

1.8

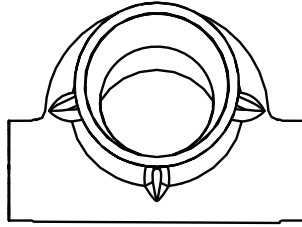


1.8

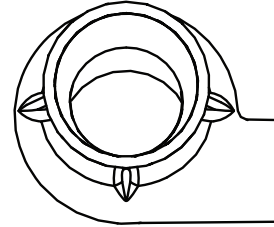
TR



TC

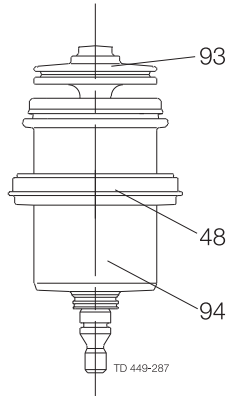


TL



2317-0006

Service kits



Pos	Qty	Denomination	2½" Seat ø81.3	3" Seat ø81.3	4" Seat ø115.3	6" Seat ø206.1
37	1	Intermediate piece . . . . .	9613019123	9613019123	9613019217	9613496603
111	1	Valve body, TL, clamp end . . . . .	9614197601	9614197607	9614197613	9614197619
	1	Valve body, TR, clamp end . . . . .	9614197602	9614197608	9614197614	9614197620
	1	Valve body, TC, clamp end . . . . .	9614197603	9614197609	9614197615	9614197621
	1	Valve body, TL, welding end . . . . .	9614197604	9614197610	9614197616	9614197622
	1	Valve body, TR, welding end . . . . .	9614197605	9614197611	9614197617	9614197623
	1	Valve body, TC, welding end . . . . .	9614197606	9614197612	9614197618	9614197624
106	1	Vent body . . . . .	9614197802	9614197803	9614197804	9614197805

1.8

**Service kits**

**2½" + 3" \*)**

Service kit, EPDM . . . . .	9611926881
Service kit, NBR . . . . .	9611926882
Service kit, HNBR . . . . .	9611926883
Service kit, FPM . . . . .	9611926884

**4"**

Service kit, EPDM . . . . .	9611926885
Service kit, NBR . . . . .	9611926886
Service kit, HNBR . . . . .	9611926887
Service kit, FPM . . . . .	9611926888

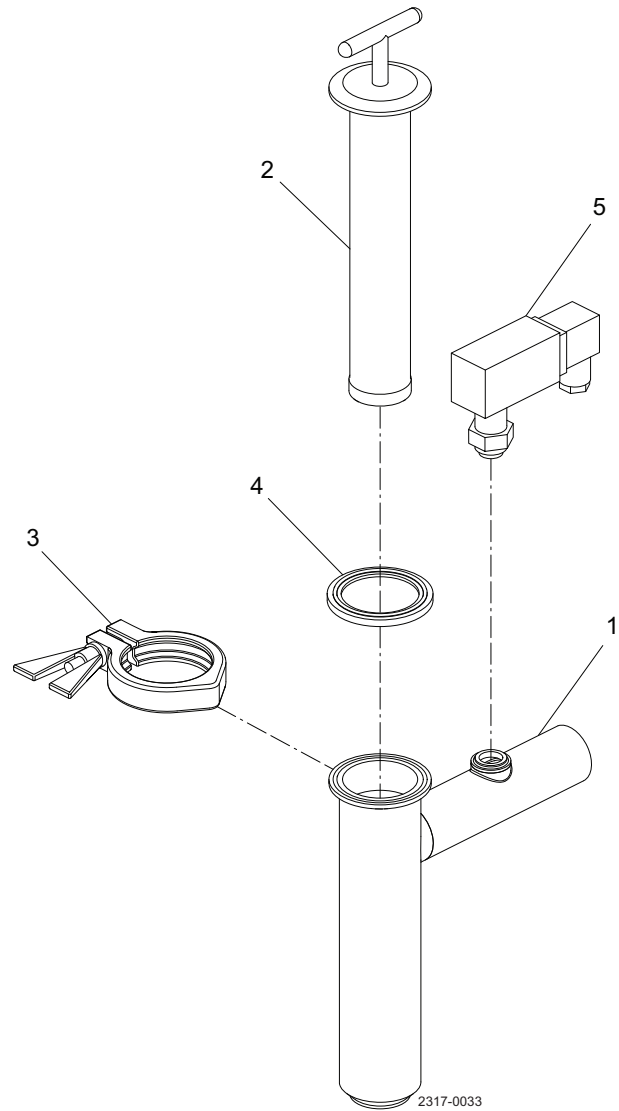
**6"**

Service kit, EPDM . . . . .	9611926889
Service kit, NBR . . . . .	9611926890
Service kit, HNBR . . . . .	9611926891
Service kit, FPM . . . . .	9611926892

**NOTE!**

All FPM service kits are supplied with EPDM seal ring, pos. 74.

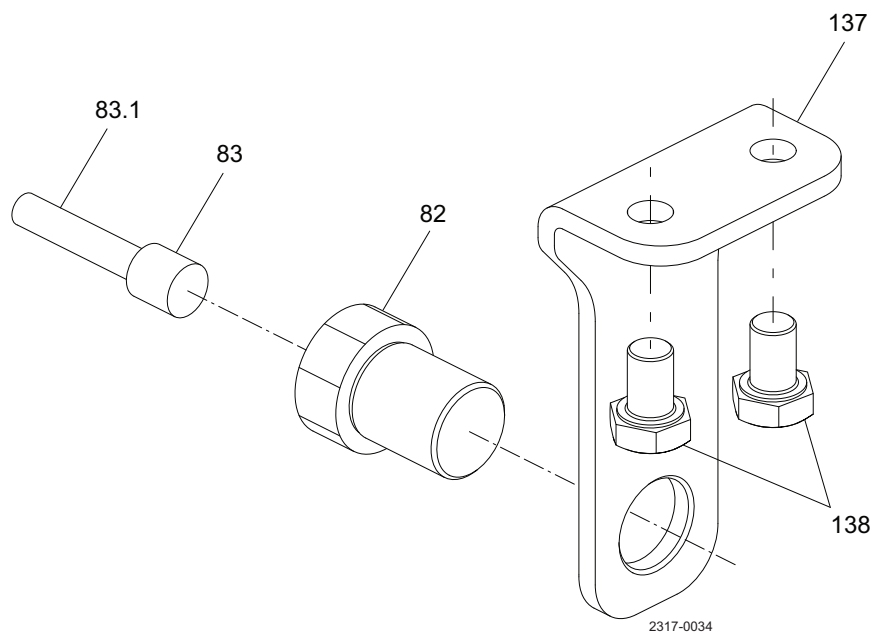
1.8



Pos	Qty	Denomination	
1	1	Filter house	
2	1	Filter element	9614198901
3	1	Clamp ring	9611994454
4	1	Gasket	9611990767
5	1	Flow switch	9611995395

900-649

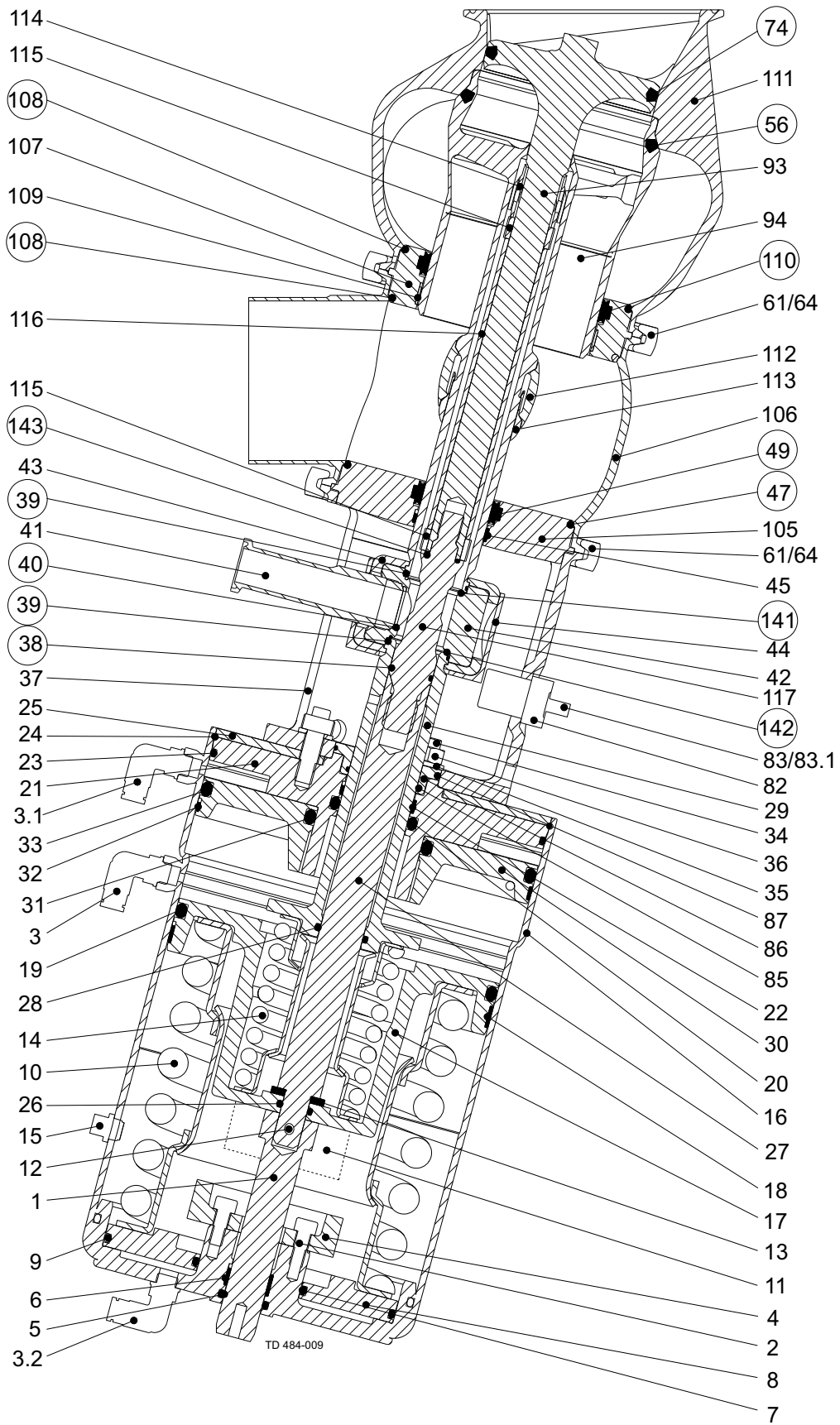
1.8



Pos	Qty	Denomination	2½"-4"	6"
82	1	Bolt for indication . . . . .	9613092603	9613092603
83	1	Sensor for indication . . . . .	9611994916	9611994916
83.1	1	Cable for sensor for indication . . . . .	9611994915	9611994915
137	1	Indication bracket . . . . .	N/A	9614046401
138	2	Screw for indication bracket . . . . .	N/A	9611992105

900-639

1.8



TD 484-009

## Wear Parts

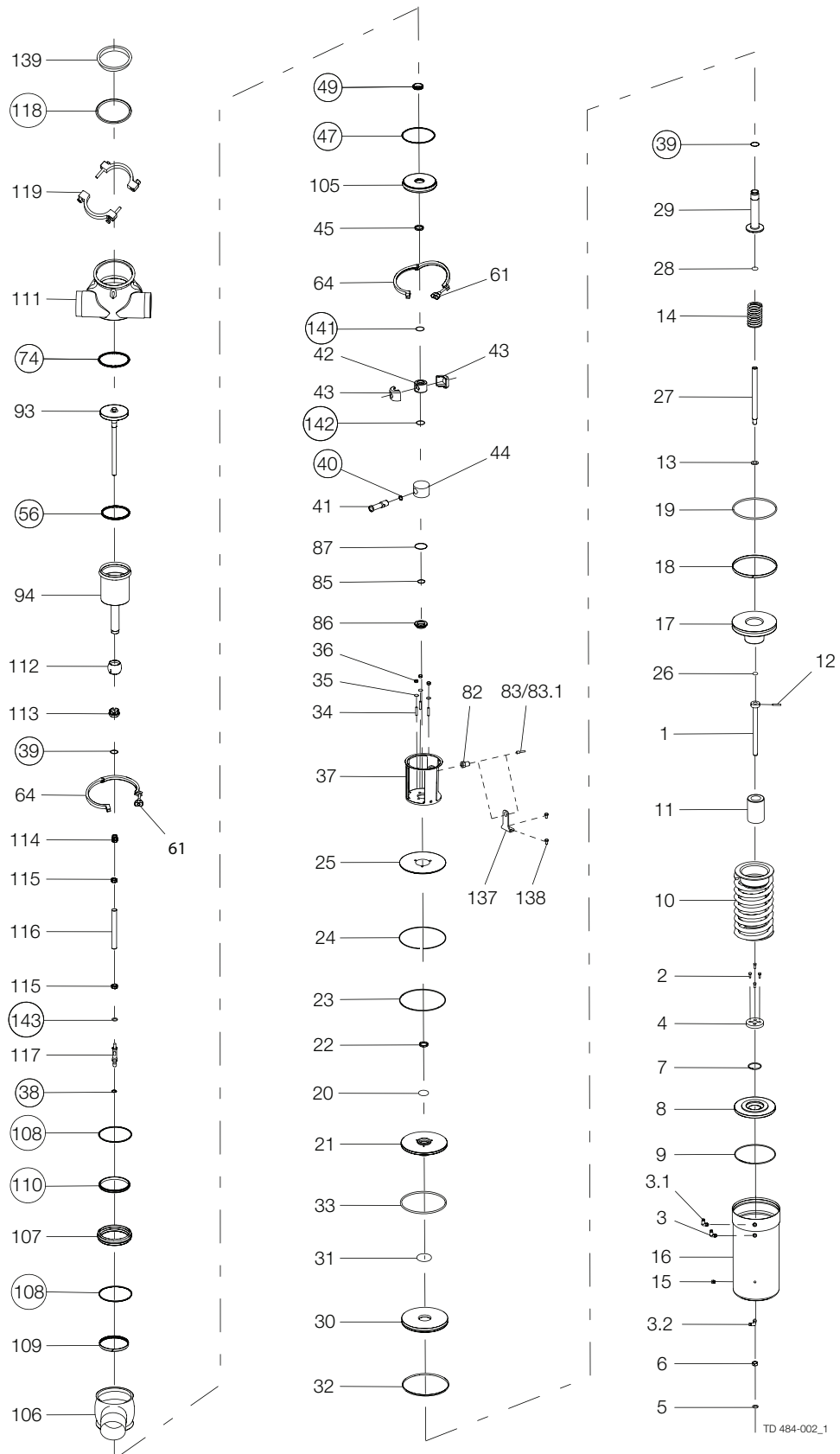
Pos	Qty	Denomination	2½"	4"	6"
			Seat ø81.3	Seat ø115.3	Seat ø206.1
38	1	O-ring, EPDM	9611992671	9611992671	9611992671
39	2	O-ring, EPDM	9611993493	9611993493	
	1	O-ring, EPDM			9611993493
	1	O-ring, EPDM			9611995160
40	1	O-ring, EPDM	9611992671	9611992671	9611992671
47	1	O-ring, EPDM (Standard)	9611993636	9611993640	9611995003
	1	O-ring, NBR	9611993637	9611993641	9611995004
	1	O-ring, HNBR	9611993639	9611993643	9611995006
	1	O-ring, FPM	9611993638	9611993642	9611995005
49	1	Lip seal, EPDM (Standard)	9613008511	9613008511	9613008516
	1	Lip seal, NBR	9613008543	9613008543	9613008517
	1	Lip seal, HNBR	9613008514	9613008514	9613008519
	1	Lip seal, FPM	9613008513	9613008513	9613008518
56	1	Seal ring, EPDM (Standard)	9613095109	9613095112	9613095151
	1	Seal ring, NBR	9613095115	9613095116	9613095152
	1	Seal ring, HNBR	9613095107	9613095110	9613095149
	1	Seal ring, FPM	9613095108	9613095111	9613095150
74	1	Seal ring, EPDM (Standard)	9613095209	9613095212	9613095247
	1	Seal ring, NBR	9613095215	9613095216	9613095248
	1	Seal ring, HNBR	9613095207	9613095210	9613095245
	1	Seal ring, FPM - Alfa Laval recommends EPDM	9613095208	9613095211	9613095246
108	2	O-ring, EPDM (Standard)	9611993636	9611993640	9611995003
	2	O-ring, NBR	9611993637	9611993641	9611995004
	2	O-ring, HNBR	9611993639	9611993643	9611995006
	2	O-ring, FPM	9611993638	9611993642	9611995005
110	1	Lip seal, EPDM (Standard)	9613008526	9613008531	9613008560
	1	Lip seal, NBR	9613008546	9613008547	9613008565
	1	Lip seal, HNBR	9613008529	9613008534	9613008563
	1	Lip seal, FPM	9613008528	9613008533	9613008562
118	1	Clamp packing, EPDM (Standard)	290025	290131	290226
	1	Clamp packing, NBR	298349	298220	298222
	1	Clamp packing, HNBR	290172	290182	290237
	1	Clamp packing, FPM	290172	290182	290237
141	1	O-ring, EPDM	9611993493	9611993493	9611993493
142	1	O-ring, EPDM	9611993493	9611993493	9611995347
143	1	O-ring, EPDM	9611995345	9611995345	9611995346

**NOTE!**

All FPM service kits are supplied with EPDM seal ring, pos. 74.



1.8



TD 484-002\_1

Parts

Pos	Qty	Denomination	2½"	3"	4"	6"	6"
			Seat ø81.3	Seat ø81.3	Seat ø115.3	(stroke 75mm) Seat ø206.1	(stroke 59mm) Seat ø206.1
1	1	Cpl. Actuator	9613099525	9613099525	9613489052	9613489052	9613489056
1	1	Upper stem	9613007406	9613007406	9613007405	9613007405	9613007405
2	4	Screw	9611993342	9611993342	9611990144	9611990144	9611993342
3	1	Air fitting, yellow	9611994171	9611994171	9611994171	9611994171	9611994171
	1	Air fitting, blue	9611993780	9611993780	9611993780	9611993780	9611993780
	1	Air fitting, red	9611994172	9611994172	9611994172	9611994172	9611994172
4	1	Stop for upper piston	9613005301	9613005301	9613488301	9613488301	9613005301
5	• 1	O-ring, NBR	9611993499	9611993499	9611993499	9611993499	9611993499
6	• 1	Guide ring, Turcite	9613008408	9613008408	9613008408	9613008408	9613008408
7	• 1	O-ring, NBR	9611995099	9611995099	9611995099	9611995099	9611995099
8	1	Upper piston	9614032101	9614032101	9614032102	9614032102	9614032102
9	• 1	O-ring, NBR	9611995097	9611995097	9611995097	9611995097	9611995097
10	1	Spring assembly	9613007501	9613007501	9613025607	9613025607	9613025606
11	1	Distance spacer			9613010207	9613010207	9613010207
12	1	Pin	9611994198	9611994198	9611994199	9611994199	9611994199
13	1	Washer	9611993595	9611993595	9611993596	9611993596	9611993596
14	1	Spring assembly	9613009504	9613009504	9613009504	9613009504	9613009504
15	1	Plug	9613414101	9613414101	9613414101	9613414101	9613414101
16	1	Cylinder (3A marking)	9613005112	9613005112	9613015028	9613015028	9613015028
17	1	Main piston	9614032201	9614032201	9614032202	9614032202	9614032202
18	• 1	Guide ring, Turcite	9613008410	9613008410	9613008411	9613008411	9613008411
19	• 1	O-ring, NBR	9611993507	9611993507	9611993509	9611993509	9611993509
20	• 1	O-ring, NBR	9611993607	9611993607	9611993607	9611993607	9611993607
21	1	Bottom	9613005401	9613005401	9613016801	9613016801	9613016801
22	• 1	Guide ring, Turcite	9613008404	9613008404	9613008404	9613008404	9613008404
23	• 1	O-ring, NBR	9611991489	9611991489	22340675	22340675	22340675
24	1	Retaining ring	9613024803	9613024803	9613024804	9613024804	9613024804
25	1	Cover disk	9613005803	9613005803	9613005804	9613005804	9613005804
26	• 1	O-ring, NBR	9611993495	9611993495	9611993530	9611993530	9611993530
27	1	Inner stem	9613007301	9613007301	9613007305	9613007305	9613007305
28	• 1	O-ring	9611990030	9611990030	9611990030	9611990030	9611990030
29	1	Piston rod	9613006006	9613006006	9613006005	9613006005	9613006005
30	1	Lower piston	9613005501	9613005501	9613016601	9613016601	9613016601
31	• 1	O-ring, NBR	42153	42153	42153	42153	42153
32	• 1	Guide ring, Turcite	9613008406	9613008406	9613008407	9613008407	9613008407
33	• 1	O-ring, NBR	9611993508	9611993508	9611993510	9611993510	9611993510
34	3	Bolt	9611995392	9611995392	9611995392	9611995392	9611995392
35	2	Washer	9611993594	9611993594	9611993594	9611993594	9611993594
35.1	1	Washer	9611992559	9611992559	9611992559	9611992559	9611992559
36	3	Nut	9611990360	9611990360	9611990360	9611990360	9611990360
41	1	Flushing tube	9614030801	9614030801	9614030802	9614030803	9614030803
42	1	Spindle liner	9614030701	9614030701	9614030701	9614031901	9614031901
43	2	Clamp	9614030601	9614030601	9614030601	9614031801	9614031801
44	1	Lock	9614030501	9614030501	9614030501	9614030501	9614030501

1.8

Actuator diameter

Ø157

Ø186

Actuator type

4-TO Basic

6-TO Basic

Connection size\*

2.5" + 3"

6-TO Strong  
4" + 6"

• Actuator service kit, part no.

9611928349

9611928350

### Parts

1.8

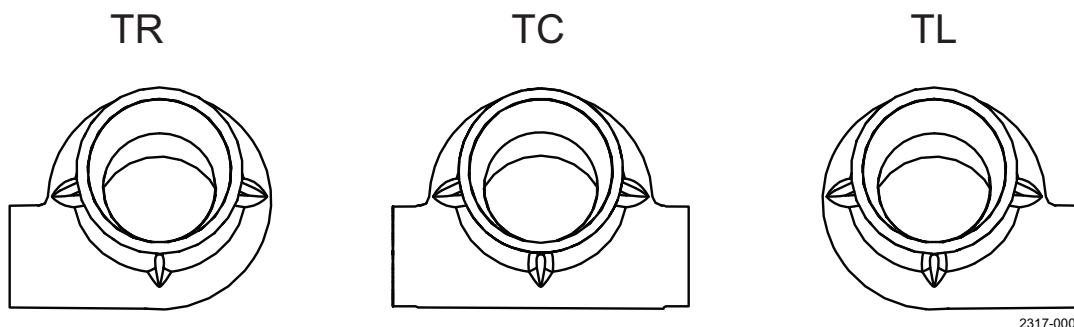
Pos	Qty	Denomination	2½" Seat ø81.3	3" Seat ø81.3	4" Seat ø115.3	6" (stroke 75mm) Seat ø206.1	6" (stroke 59mm) Seat ø206.1
45	1	Guide ring, PTFE	9613008417	9613008417	9613008417	9613008412	9613008412
61	2	Wingnut	9612558001	9612558001	9612558001	9613149501	9613149501
64	2	Clamp without nut	9613021601	9613021601	9614076601	9613488401	9613488401
82	1	Bolt for indication	9613092604	9613092604	9613092604	9613092604	9613092604
83	1	Sensor for indication	9611995770	9611995770	9611995770	9611995770	9611995770
83.1	1	Cable for sensor for indication	9611994915	9611994915	9611994915	9611994915	9611994915
85	1	O-ring	9611990092	9611990092	9611990092	9611990092	9611990092
86	1	Plug for actuator	9613099002	9613099002	9613099002	9613099002	9613099002
87	1	O-ring	9611994599	9611994599	9611994599	9611994599	9611994599
93	1	Tank plug	9614007901	9614006601	9614008201	9614008501	9614008501
94	1	Balance plug	9614010701	9614009301	9614011001	9614011301	9614011301
105	1	Upper sealing element	9613006403	9613006403	9613018803	9614001101	9614001101
107	1	Sealing element	9614001301	9614001301	9614001401	9614001501	9614001501
109	1	Guide ring, PTFE	9613466108	9613466108	9613466109	9613466110	9613466110
112	1	Rotating nozzle	9614010101	9614010101	9614010101	9614011701	9614011701
113	1	Lockring rotating nozzle	9614010201	9614010201	9614010201	9614011801	9614011801
114	1	Rotating nozzle	9614007101	9614007101	9614007101	9614008901	9614008901
115	2	Guidering rotating nozzle	9614007201	9614007201	9614007201	9614009001	9614009001
116	1	Pipe	9614007302	9614007303	9614007304	9614007305	9614007305
117	1	Spindle	9614007401	9614007401	9614007401	9614009101	9614009101
119	1	Clamp	210042	210042	9634048982	9634085294	9634085294
137	1	Indication bracket	N/A	N/A	N/A	9614046401	9614046401
138	2	Screw for indication bracket	N/A	N/A	N/A	9611992105	9611992105
139	1	Clamp ferrule	610373	610373	9634049938	660026	660026

Note!

Δ Sensor service kit for valves delivered prior to October 2015 - 9611928352

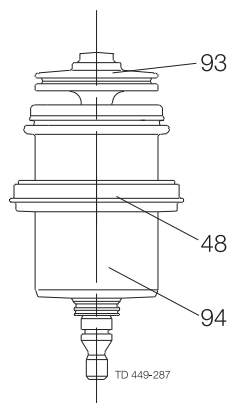
900577/7

### Parts



Pos	Qty	Denomination	2½" Seat ø81.3	3" Seat ø81.3	4" Seat ø115.3	6" Seat ø206.1
37	1	Intermediate piece	9613019123	9613019123	9613019217	9613496603
111	1	Valve body TL, clamp end	9614005001	9614005301	9614005601	9614005901
	1	Valve body TR, clamp end	9614005002	9614005302	9614005602	9614005902
	1	Valve body TC, clamp end	9614005003	9614005303	9614005603	9614005903
	1	Valve body TL, welding end	9614005004	9614005304	9614005604	9614005904
	1	Valve body TR, welding end	9614005005	9614005305	9614005605	9614005905
	1	Valve body TC, welding end	9614005006	9614005306	9614005606	9614005906
106	1	Vent body	9614001901	9614002201	9614002501	9614002801

## Service kits for Product Wetted Parts



**2.5" + 3"**

Service kit, EPDM	.....	9611926881
Service kit, NBR	.....	9611926882
Service kit, HNBR	.....	9611926883
Service kit, FPM	.....	9611926884

**4"**

Service kit, EPDM	.....	9611926885
Service kit, NBR	.....	9611926886
Service kit, HNBR	.....	9611926887
Service kit, FPM	.....	9611926888

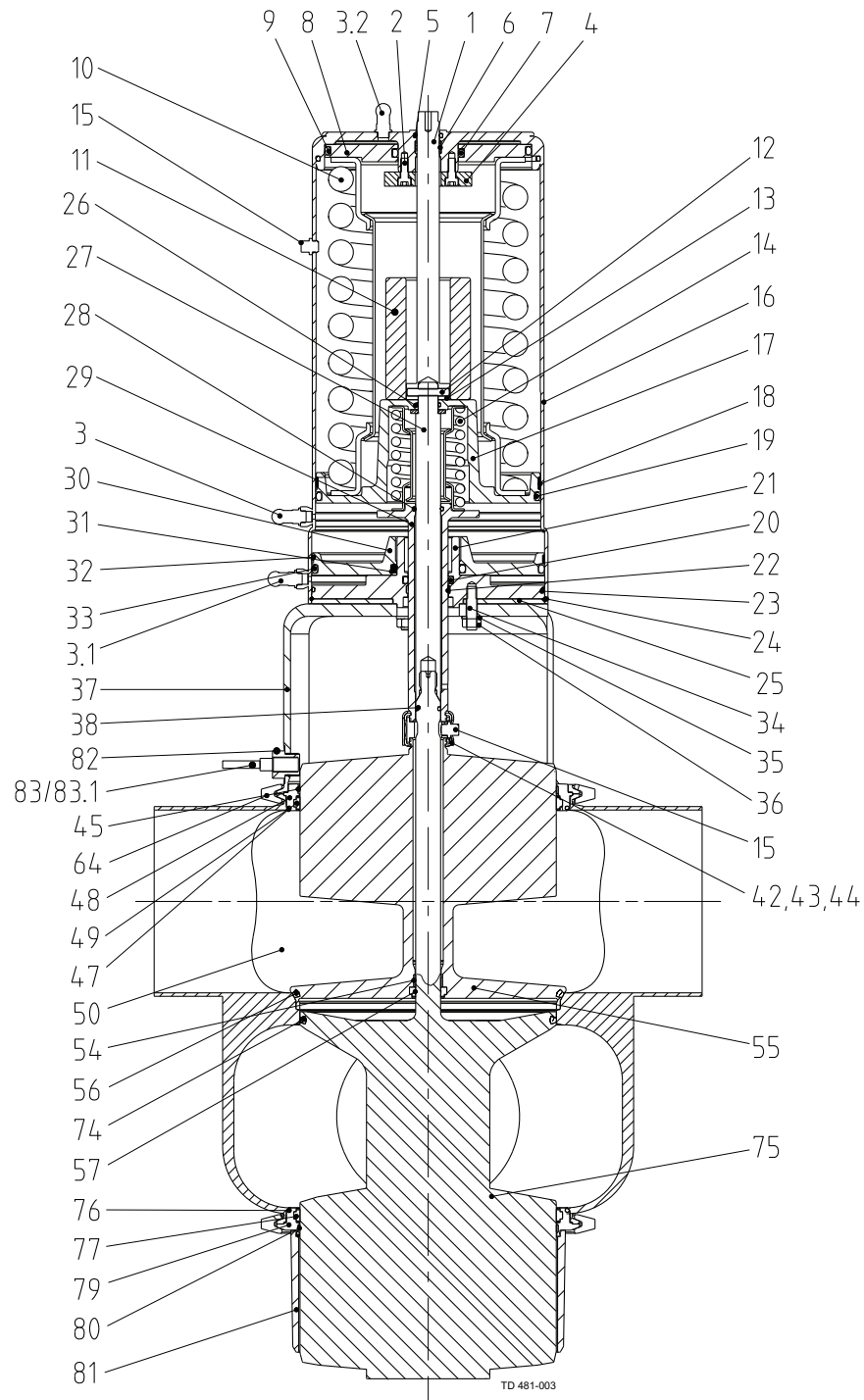
**6"**

Service kit, EPDM	.....	9611926889
Service kit, NBR	.....	9611926890
Service kit, HNBR	.....	9611926891
Service kit, FPM	.....	9611926892

**NOTE!**

All FPM service kits are supplied with EPDM seal ring, pos. 74.

1.8



## Wear Parts

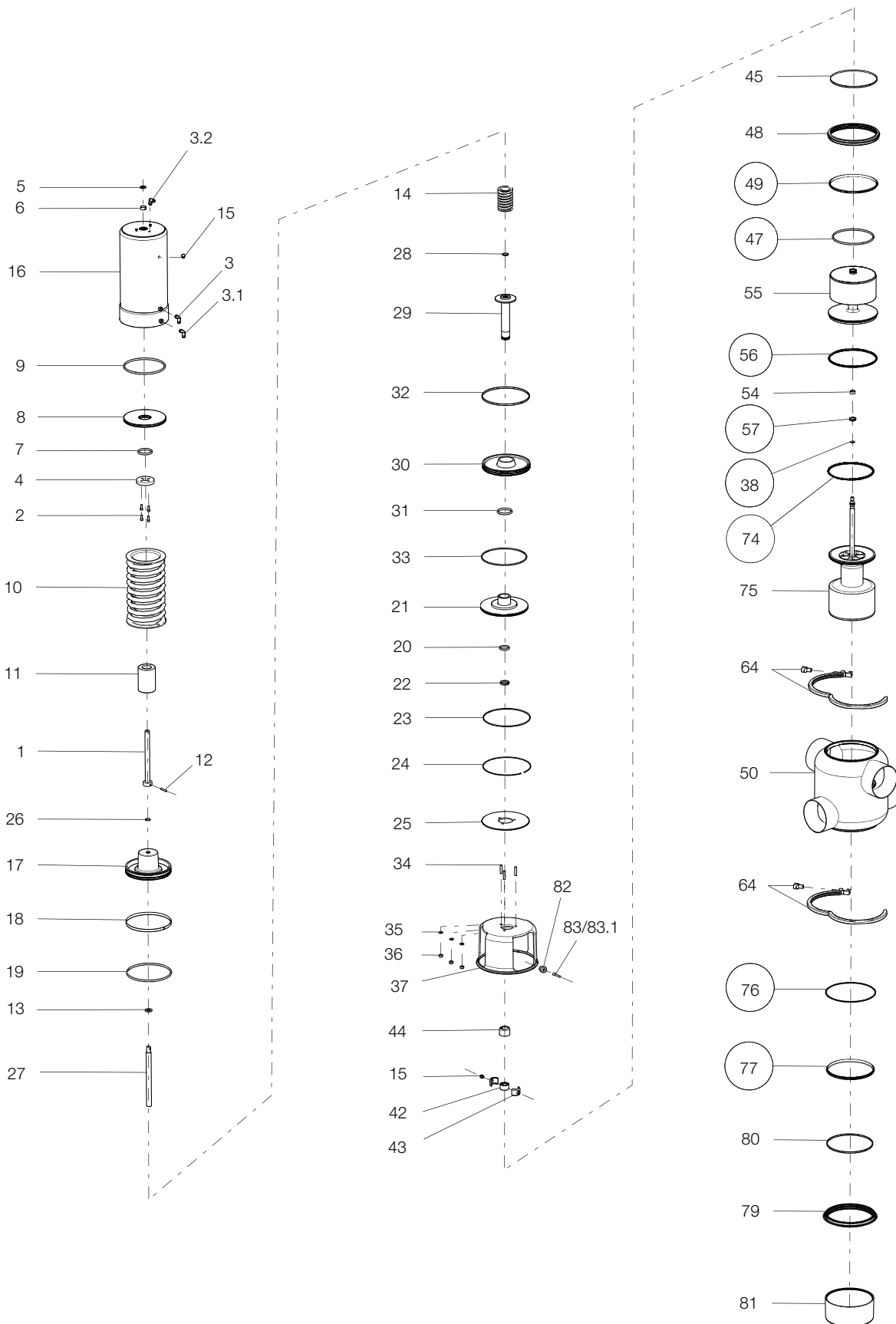
Pos	Qty	Denomination	PMO 4"	PMO 6"
			Seat ø143.9	Seat ø206.1
38	1	O-ring, EPDM	9611993572	9611993572
47	1	O-ring, EPDM (Standard)	9611993644	9611995003
	1	O-ring, NBR	9611993645	9611995004
	1	O-ring, HNBR	9611993647	9611995006
	1	O-ring, FPM	9611993646	9611995005
49	1	Lip seal, EPDM (Standard)	9613008536	9613008560
	1	Lip seal, NBR	9613008537	9613008565
	1	Lip seal, HNBR	9613008539	9613008563
	1	Lip seal, FPM	9613008538	9613008562
56	1	Seal ring, EPDM (Standard)	9613095123	9613095151
	1	Seal ring, NBR	9613095124	9613095152
	1	Seal ring, HNBR	9613095121	9613095149
	1	Seal ring, , FPM	9613095122	9613095150
57	1	Lip seal, , EPDM (Standard)	9613008711	9613008711
	1	Lip seal, , NBR	9613008718	9613008718
	1	Lip seal, HNBR	9613008714	9613008714
	1	Lip seal, FPM	9613008713	9613008713
74	1	Seal ring, EPDM (Standard)	9613095223	9613095247
	1	Seal ring, NBR	9613095224	9613095248
	1	Seal ring, HNBR	9613095221	9613095245
	1	Seal ring , FPM - Alfa Laval recommends EPDM	9613095222	9613095246
76	1	O-ring , EPDM (Standard)	9611993644	9611995003
	1	O-ring, NBR	9611993645	9611995004
	1	O-ring , HNBR	9611993647	9611995006
	1	O-ring, FPM	9611993646	9611995005
77	1	Lip seal, EPDM (Standard)	9613008521	9613008560
	1	Lip seal, NBR	9613008522	9613008565
	1	Lip seal, HNBR	9613008524	9613008563
	1	Lip seal, FPM	9613008523	9613008562

**NOTE!**

All FPM service kits are supplied with EPDM seal ring, pos. 74.

1.8

1.8



○ = Wear parts

TD 481-000

# Parts

Pos	Qty	Denomination	4" Seat ø143.9	6" Seat ø206.1
		Cpl. Actuator	9613489024	9613489016
1	1	Upper stem	9613007404	9613007404
2	4	Screw	9611990144	9611990144
3	1	Air fitting , blue	9611993780	9611993780
3.1	1	Air fitting , red	9611994172	9611994172
3.2	1	Air fitting , yellow	9611994171	9611994171
4	1	Stop for upper piston	9613488301	9613488301
5 •	1	O-ring, NBR	9611993499	9611993499
6 •	1	Guide ring, Turcite	9613008408	9613008408
7 •	1	O-ring, NBR	9611993514	9611993514
8	1	Upper piston	9613005602	9613005602
9 •	1	O-ring, NBR	9611993513	9611993513
10	1	Spring assembly	9613025607	9613025605
11	1	Distance spacer	9613010207	9613010207
12	1	Pin	9611994199	9611994199
13	1	Washer	9611993596	9611993596
14	1	Spring assembly	9613009502	9613009503
15	2	Plug	9613414101	9613414101
16	1	Cylinder (3A marking)	9613015023	9613015023
17	1	Main piston	9613015901	9613015901
18 •	1	Guide ring, Turcite	9613008411	9613008411
19 •	1	O-ring, NBR	9611993509	9611993509
20 •	1	O-ring, NBR	9611993607	9611993607
21	1	Bottom	9613016801	9613016801
22 •	1	Guide ring, Turcite	9613008404	9613008404
23 •	1	O-ring, NBR	22340675	22340675
24	1	Retaining ring	9613024804	9613024804
25	1	Cover disk	9613005804	9613005804
26 •	1	O-ring, NBR	9611993530	9611993530
27	1	Inner stem	9613007305	9613007305
28 •	1	O-ring	9611990030	9611990030
29	1	Piston rod	9613006004	9613006004
30	1	Lower piston	9613016601	9613016601
31 •	1	O-ring, NBR	42153	42153
32 •	1	Guide ring, Turcite	9613008407	9613008407
33 •	1	O-ring, NBR	9611993510	9611993510
34	3	Bolt	9611993618	9611993618
35	3	Washer	9611993594	9611993594
36	3	Nut	9611990360	9611990360
42	1	Spindle liner	9613009001	9613009001
43	2	Clamp	9613009201	9613009201
44	1	Lock	9613009101	9613009101
		• Actuator service kit, part.no.	9611926416	9611926416

Pos	Qty	Denomination		
45	1	Guide ring, PTFE	9613008421	9613008426
48	1	Upper sealing element	9613071301	9613488001
54	1	Guide ring, PTFE	9613008402	9613008402
55	1	Upper plug	9613498301	9613488901
61	2	Wingnut	9612558001	9613149501
64	2	Clamp	9613021801	9613488401
75	1	Lower plug	9613497901	9613497801
79	1	Lower sealing element	9613082704	9613489101
80	1	Guide ring, PTFE	9613008413	9613008426
81	1	Cover for Plug	9613049027	9613049025
82 Δ	1	Bolt for indication	9613092604	9613092604
83 Δ	1	Sensor for indication	9611995770	9611995770
83.1	1	Cable for sensor for indication	9611994915	9611994915

Note!

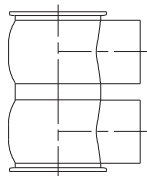
Δ Sensor service kit for valves delivered prior to October 2015 - 9611928352



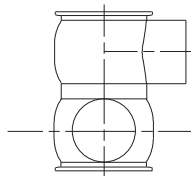
## Parts

Pos	Qty	Denomination	PMO 4" Seat ø143.9	PMO 6" Seat ø206.1
37	1	Intermediate piece	9613019319	9613496601
50	1	Valve body , 11-00	9613493301	9613492001
	1	Valve body , 12-00	9613493305	9613492005
	1	Valve body , 21-00	9613493307	9613492007
	1	Valve body , 22-00	9613493309	9613492009
	1	Valve body , 11-90	9613493302	9613492002
	1	Valve body , 12-90	9613493306	9613492006
	1	Valve body , 21-90	9613493308	9613492008
	1	Valve body , 22-90	9613493310	9613492010
	1	Valve body , 11-180	9613493303	9613492003
	1	Valve body , 11-270	9613493304	9613492004

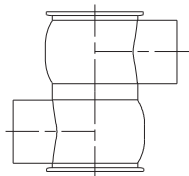
TYPE 11-00



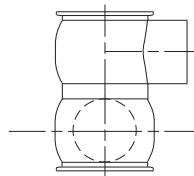
TYPE 11-90



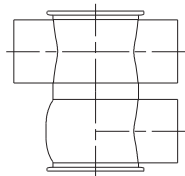
TYPE 11-180



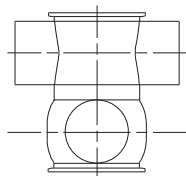
TYPE 11-270



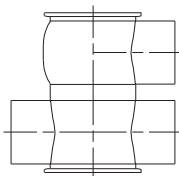
TYPE 12-00



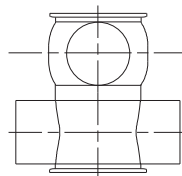
TYPE 12-90



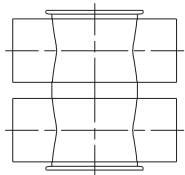
TYPE 21-00



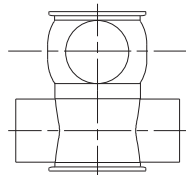
TYPE 21-90



TYPE 22-00



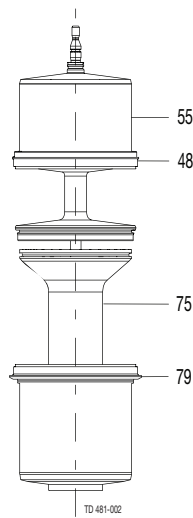
TYPE 22-90



TD 449-014\_2

Service kits for Product Wetted Parts

Plug set-up



(Plug set-up 12)

**PMO 4"**

Service kit, NBR	.....	9611926861
Service kit, EPDM	.....	9611926862
Service kit, HNBR	.....	9611926863
Service kit, FPM	.....	9611926864

**PMO 6"**

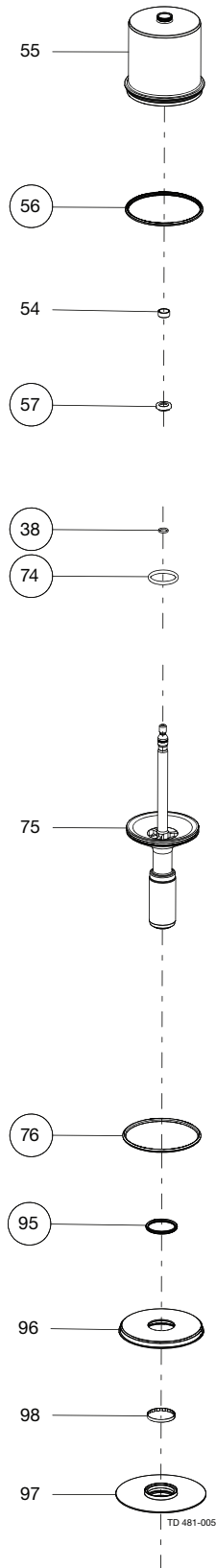
Service kit, NBR	.....	9611926849
Service kit, EPDM	.....	9611926850
Service kit, HNBR	.....	9611926851
Service kit, FPM	.....	9611926852

NOTE!

All FPM service kits are supplied with EPDM seal ring, pos. 74.

# Rebuilding set - Unique PMO Curd to Unique PMO Curd CP

1.8



## Rebuilding set - Unique PMO Curd to Unique PMO Curd CP

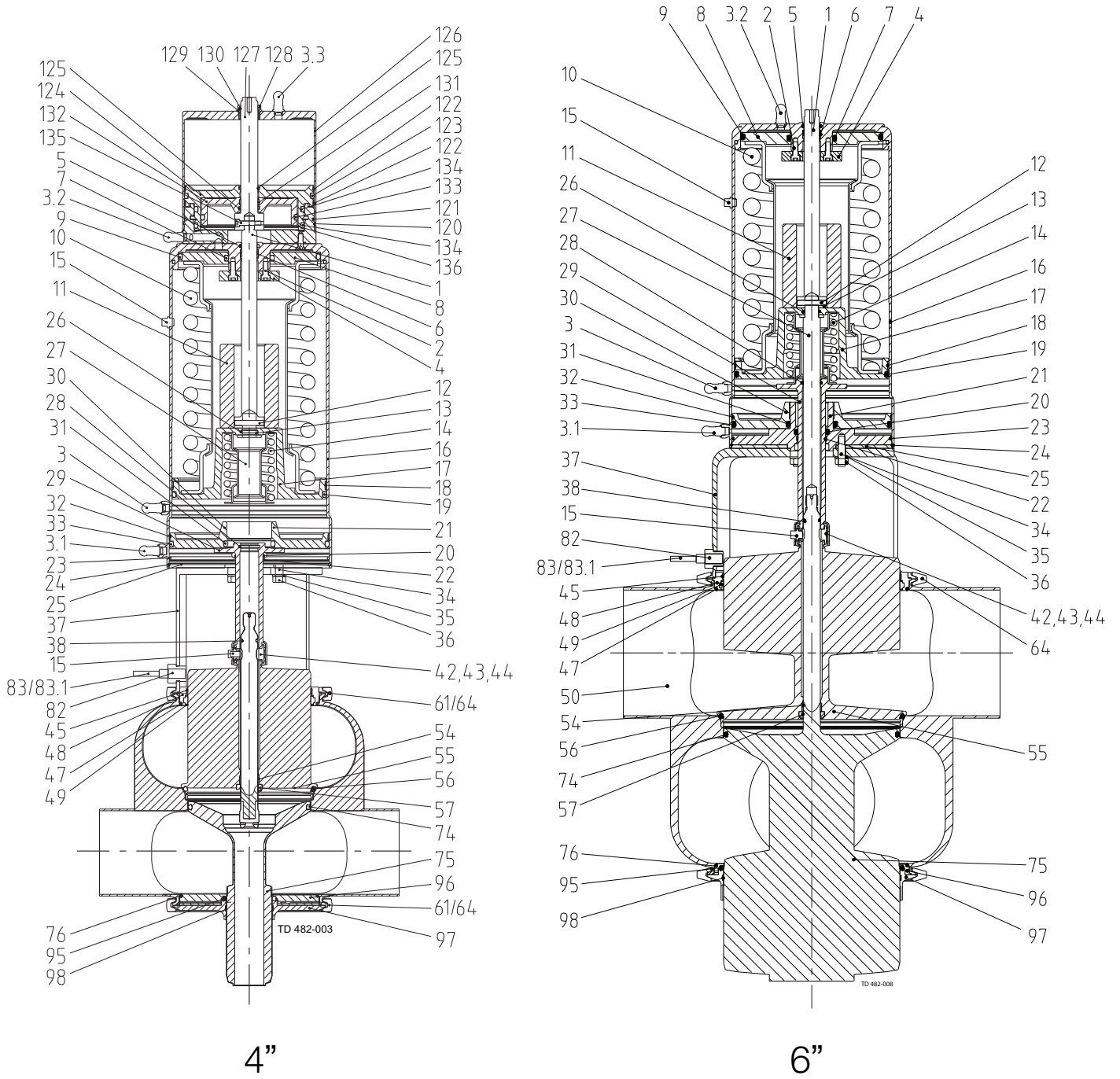
Pos	Qty	Denomination	PMO 4"	PMO 6"
			Seat ø143.9	Seat ø206.1
		Upper plug, cpl., NBR	9614052901	9614052902
		Upper plug, cpl., EPDM	9614052903	9614052904
		Upper plug, cpl., HNBR	9614052905	9614052906
		Upper plug, cpl., FPM	9614052907	9614052908

1.8

Pos	Qty	Denomination
54	1	Guide ring
55	1	Upper plug
56	1	Seal ring
57	1	Lip seal
99	1	Label

Pos	Qty	Denomination	PMO 4"	PMO 6"
			Seat ø143.9	Seat ø206.1
		Lower plug, cpl., NBR	9614052909	9614052910
		Lower plug, cpl., EPDM	9614052911	9614052912
		Lower plug, cpl., HNBR	9614052913	9614052914
		Lower plug, cpl., FPM	9614052915	9614052916

Pos	Qty	Denomination
38	1	O-ring
74	1	Seal ring
75	1	Lower plug
76	1	O-ring
95	1	Special lip seal
96	1	Lower sealing element, upper part
97	1	Lower sealing element, lower part
98	1	Guide ring



## Wear Parts

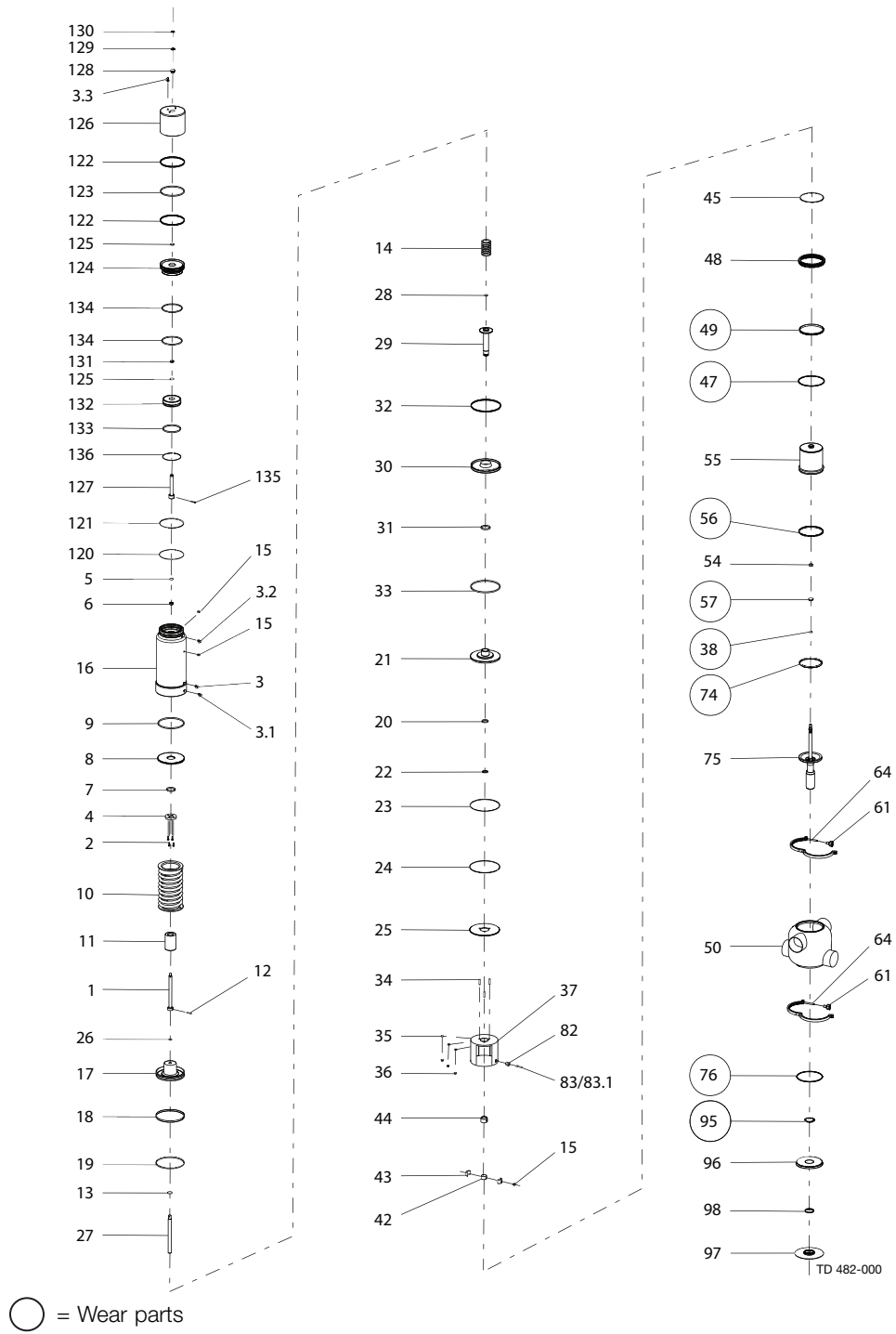
Pos	Qty	Denomination	PMO 4"	PMO 6"
			Seat ø143.9	Seat ø206.1
38	1	O-ring , EPDM	9611993572	9611993572
47	1	O-ring, EPDM (Standard)	9611993644	9611995003
	1	O-ring, NBR	9611993645	9611995004
	1	O-ring, HNBR	9611993647	9611995006
	1	O-ring, FPM	9611993646	9611995005
49	1	Lip seal, EPDM (Standard)	9613008536	9613008560
	1	Lip seal, NBR	9613008537	9613008565
	1	Lip seal, HNBR	9613008539	9613008563
	1	Lip seal, FPM	9613008538	9613008562
56	1	Seal ring, EPDM (Standard)	9613095123	9613095151
	1	Seal ring, NBR	9613095124	9613095152
	1	Seal ring, HNBR	9613095121	9613095149
	1	Seal ring, FPM	9613095122	9613095150
57	1	Lip seal, EPDM (Standard)	9613008711	9613008711
	1	Lip seal, NBR	9613008718	9613008718
	1	Lip seal, HNBR	9613008714	9613008714
	1	Lip seal, FPM	9613008713	9613008713
74	1	Seal ring, EPDM (Standard)	9613095223	9613095247
	1	Seal ring, NBR	9613095224	9613095248
	1	Seal ring, HNBR	9613095221	9613095245
	1	Seal ring, FPM - Alfa Laval recommends EPDM	9613095222	9613095246
76	1	O-ring, EPDM (Standard)	9611993644	9611995003
	1	O-ring, NBR	9611993645	9611995004
	1	O-ring, HNBR	9611993647	9611995006
	1	O-ring, FPM	9611993646	9611995005
95	1	Special lip seal, EPDM (Standard)	9613464215	9613464247
	1	Special lip seal, NBR	9613464216	9613464248
	1	Special lip seal , HNBR	9613464213	9613464245
	1	Special lip seal , FPM	9613464214	9613464246

**NOTE!**

All FPM service kits are supplied with EPDM seal ring, pos. 74.

1.8

1.8



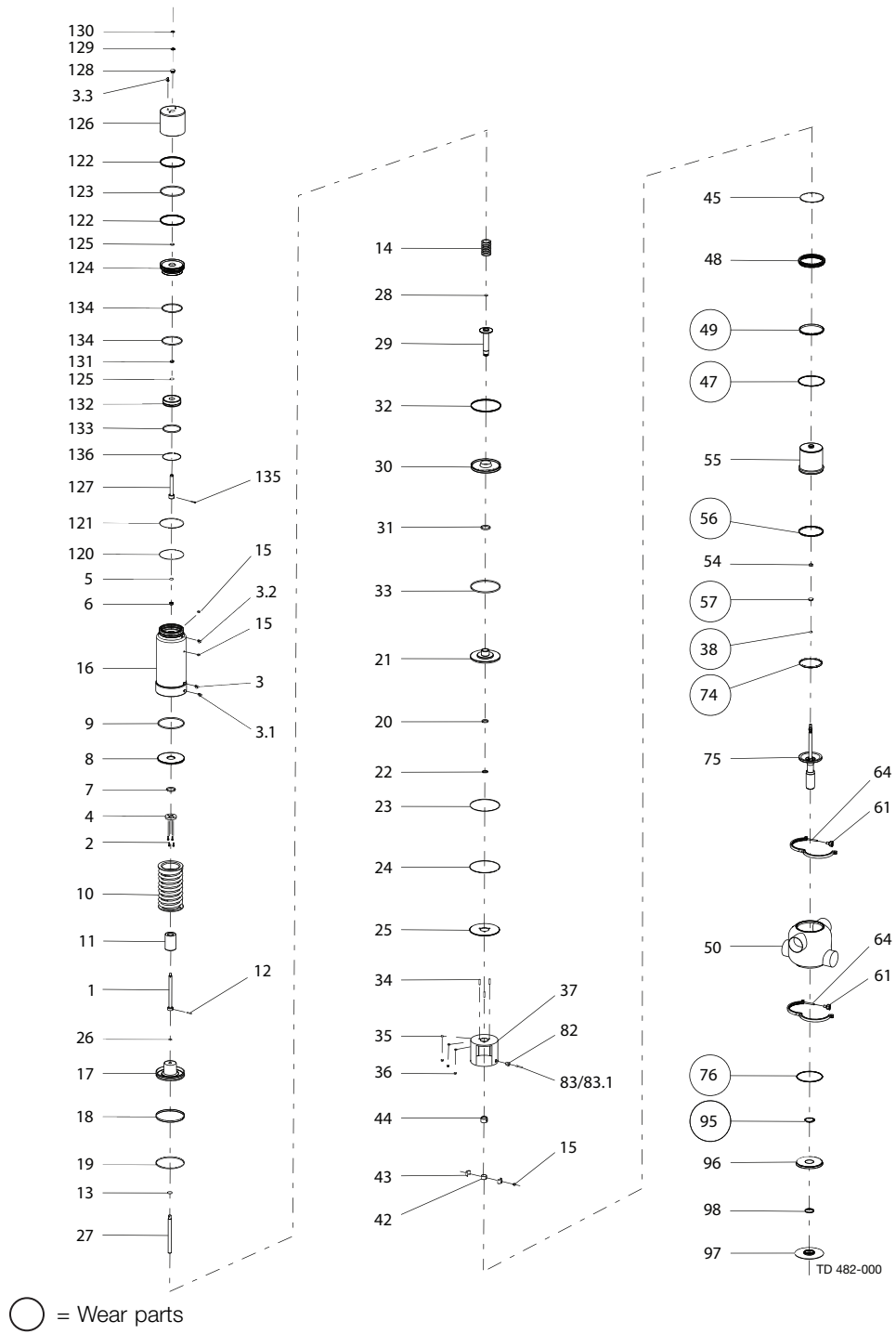
# Parts

Pos	Qty	Denomination	4" Seat ø143.9
1	1	Cpl. Actuator	9613489072
2	4	Upper stem	9614072401
3	1	Screw	9611990144
3.1	1	Air fitting , blue	9611993780
3.2	1	Air fitting , red	9611994172
3.3	1	Air fitting , yellow	9611994171
4	1	Air fitting , blue	9611993780
5	1	Stop for upper piston	9613488301
6	1	O-ring, NBR	9611993499
7	1	Guide ring, Turcite	9613008408
8	1	O-ring, NBR	9611993514
9	1	Upper piston	9613005602
10	1	O-ring, NBR	9611993513
11	1	Spring assembly	9613025607
12	1	Distance spacer	9613010207
13	1	Pin	9611994199
14	1	Washer	9611993596
15	1	Spring assembly	9613009502
16	3	Plug	9613414101
17	1	Cylinder (3A marking)	9614053703
18	1	Main piston	9613015901
19	1	Guide ring, Turcite	9613008411
20	1	O-ring, NBR	9611993509
21	1	O-ring, NBR	9611993607
22	1	Bottom	9613016801
23	1	Guide ring, Turcite	9613008404
24	1	O-ring, NBR	22340675
25	1	Retaining ring	9613024804
26	1	Cover disk	9613005804
27	1	O-ring, NBR	9611993530
28	1	Inner stem	9613007305
29	1	O-ring	9611990030
30	1	Piston rod	9613006004
31	1	Lower piston	9613016601
32	1	O-ring, NBR	42153
33	1	Guide ring, Turcite	9613008407
34	1	O-ring, NBR	9611993510
35	3	Bolt	9611993618
36	3	Washer	9611993594
42	3	Nut	9611990360
43	1	Spindle liner	9613009001
44	2	Clamp	9613009201
	1	Lock	9613009101
		• Actuator service kits, part no.	9611926990

1.8



1.8



Pos	Qty	Denomination	4" Seat ø143.9
45	1	Guide ring, PTFE	9613008421
48	1	Upper sealing element	9613071301
54	1	Guide ring, PTFE	9613008402
55	1	Upper plug	9613498201
61	2	Wingnut	9612558001
64	2	Clamp without nut	9613021801
75	1	Lower plug	9613495501
82 Δ	1	Bolt for indication	9613092604
83 Δ	1	Sensor for indication	9611995770
83.1	1	Cable for sensor for indication	9611994915
96	1	Lower sealing element, upper part	9613498101
97	1	Lower sealing element, lower part	9613498001
98	1	Guide ring, Turcite	9613466107
120	1	Lock ring	9613143203
121 ●	1	O-ring, NBR	9611992579
122 ●	2	Guide ring	9613008428
123 ●	1	O-ring, NBR	9611994283
124	1	Piston	9614072201
125 ●	2	O-ring, NBR	9611994300
126	1	Cylinder	9614058302
127	1	Upper stem, cpl.	9614072301
128 ●	1	Bushing	9613132801
129 ●	1	O-ring	9611994680
130 ●	1	O-ring	9611994300
131 ●	1	Guide ring	9613008424
132	1	Inner piston	9614072501
133 ●	1	O-ring	9611990033
134 ●	2	O-ring	9611990035
135	1	Screw	9611995302
136	1	Lock ring	9614072601

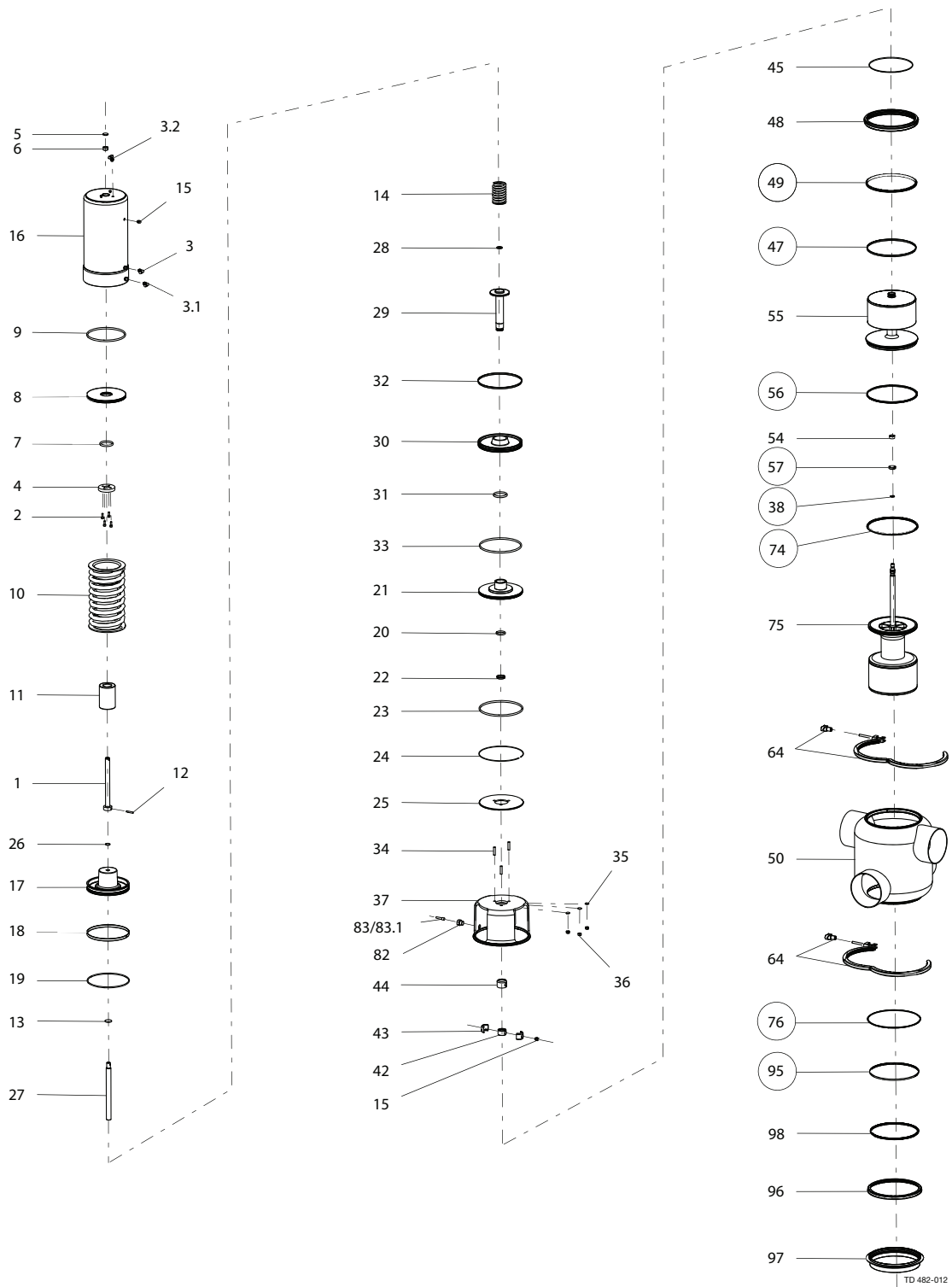
Note!

Δ Sensor service kit for valves delivered prior to October 2015 - 9611928352

900-574/4

1.8

1.8



TD 482-012

# Parts

1.8

Pos	Qty	Denomination	6" Seat ø206.1
		Cpl. Actuator	9613489020
1	1	Upper stem	9613007404
2	4	Screw	9611990144
3	1	Air fitting , blue	9611993780
3.1	1	Air fitting , red	9611994172
3.2	1	Air fitting , yellow	9611994171
4	1	Stop for upper piston	9613488301
5 •	1	O-ring, NBR	9611993499
6 •	1	Guide ring, Turcite	9613008408
7 •	1	O-ring, NBR	9611993514
8	1	Upper piston	9613005602
9 •	1	O-ring, NBR	9611993513
10	1	Spring assembly	9613025605
11	1	Distance spacer	9613010207
12	1	Pin	9611994199
13	1	Washer	9611993596
14	1	Spring assembly	9613009503
15	2	Plug	9613414101
16	1	Cylinder (3A marking)	9613015024
17	1	Main piston	9613015901
18 •	1	Guide ring, Turcite	9613008411
19 •	1	O-ring, NBR	9611993509
20 •	1	O-ring, NBR	9611993607
21	1	Bottom	9613016801
22 •	1	Guide ring, Turcite	9613008404
23 •	1	O-ring, NBR	22340675
24	1	Retaining ring	9613024804
25	1	Cover disk	9613005804
26 •	1	O-ring, NBR	9611993530
27	1	Inner stem	9613007305
28 •	1	O-ring	9611990030
29	1	Piston rod	9613006004
30	1	Lower piston	9613016601
31 •	1	O-ring, NBR	42153
32 •	1	Guide ring, Turcite	9613008407
33 •	1	O-ring, NBR	9611993510
34	3	Bolt	9611993618
35	3	Washer	9611993594
36	3	Nut	9611990360
42	1	Spindle liner	9613009001
43	2	Clamp	9613009201
44	1	Lock	9613009101
		• Actuator service kits, part no.	9611926416

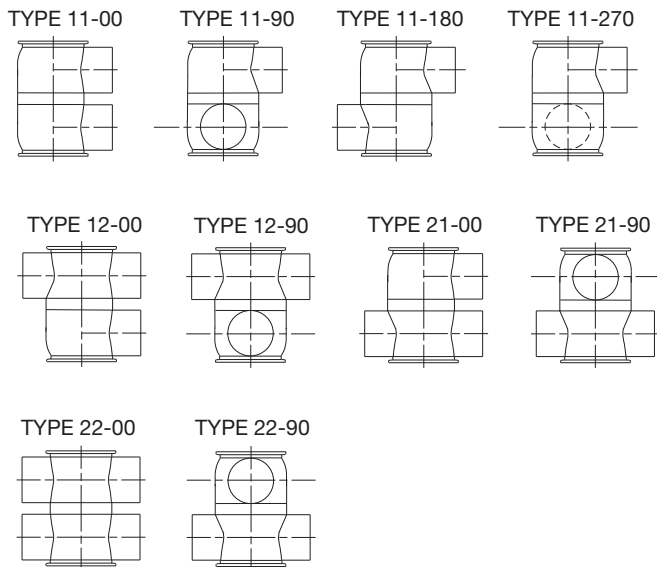
Pos	Qty	Denomination	
45	1	Guide ring, PTFE	9613008426
48	1	Upper sealing element	9613488001
54	1	Guide ring, PTFE	9613008402
55	1	Upper plug	9613486301
61	2	Wing nut	9613149501
64	2	Clamp	9613488401
75	1	Lower plug	9613494601
82 Δ	1	Bolt for indication	9613092604
83 Δ	1	Sensor for indication	9611995770
83.1	1	Cable for sensor for indication	9611994915
96	1	Lower sealing element, upper part	9613488101
97	1	Lower sealing element, lower part	9613488201
98	1	Guide ring, Turcite	9613466106

Note!

Δ Sensor service kit for valves delivered prior to October 2015 - 9611928352

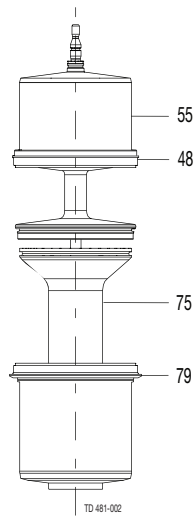
## Parts

Pos	Qty	Denomination	PMO 4" Seat ø143.9	PMO 6" Seat ø206.1
37	1	Intermediate piece	9613019319	9613496601
50	1	Valve body , 11-00	9613493301	9613492001
	1	Valve body , 12-00	9613493305	9613492005
	1	Valve body , 21-00	9613493307	9613492007
	1	Valve body , 22-00	9613493309	9613492009
	1	Valve body , 11-90	9613493302	9613492002
	1	Valve body , 12-90	9613493306	9613492006
	1	Valve body , 21-90	9613493308	9613492008
	1	Valve body , 22-90	9613493310	9613492010
	1	Valve body , 11-180	9613493303	9613492003
	1	Valve body , 11-270	9613493304	9613492004



TD 449-014\_3

## Service kits for Product Wetted Parts



(Plug set-up 12)

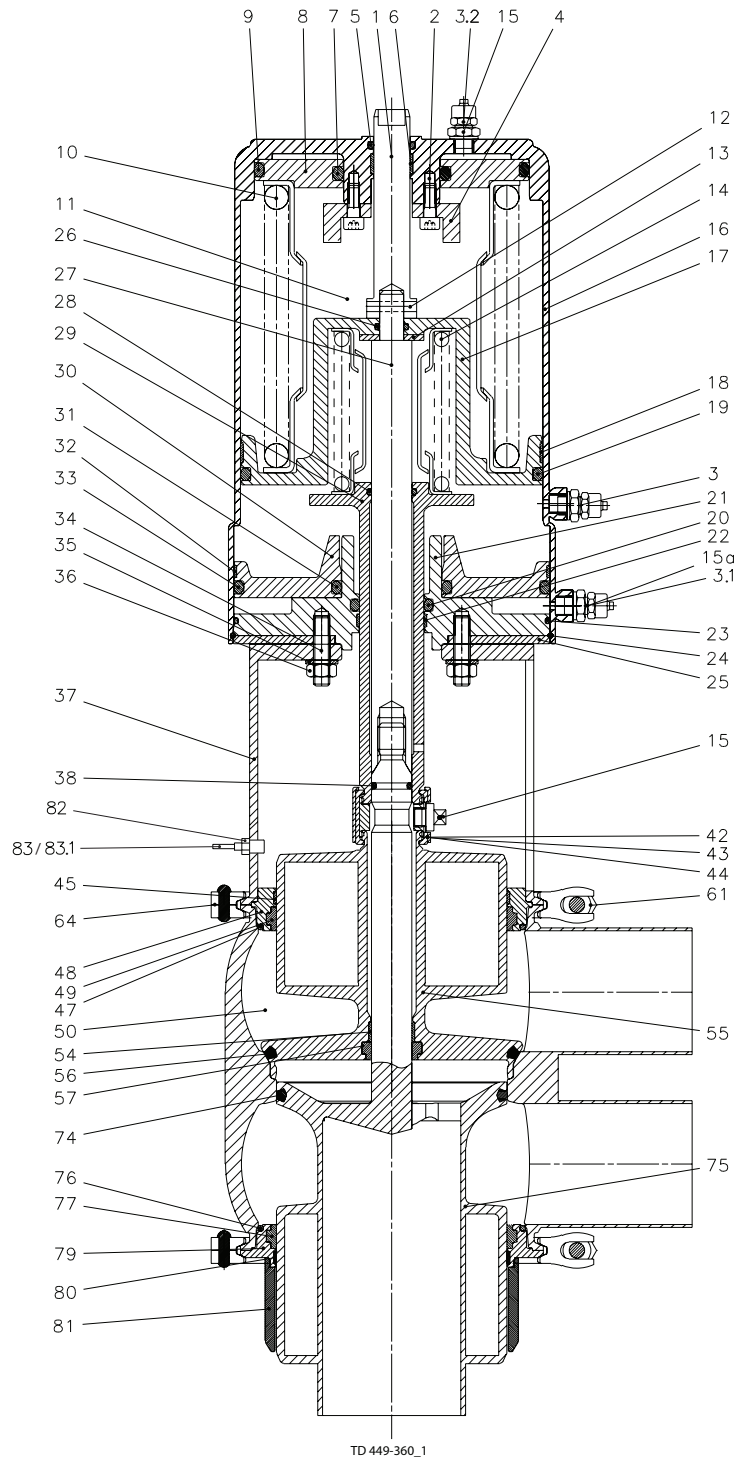
**PMO 4"**

Service kit, NBR	.....	9611926865
Service kit, EPDM	.....	9611926866
Service kit, HNBR	.....	9611926867
Service kit, FPM	.....	9611926868

**PMO 6"**

Service kit, NBR	.....	9611926857
Service kit, EPDM	.....	9611926858
Service kit, HNBR	.....	9611926859
Service kit, FPM	.....	9611926860

1.8



## Wear Parts

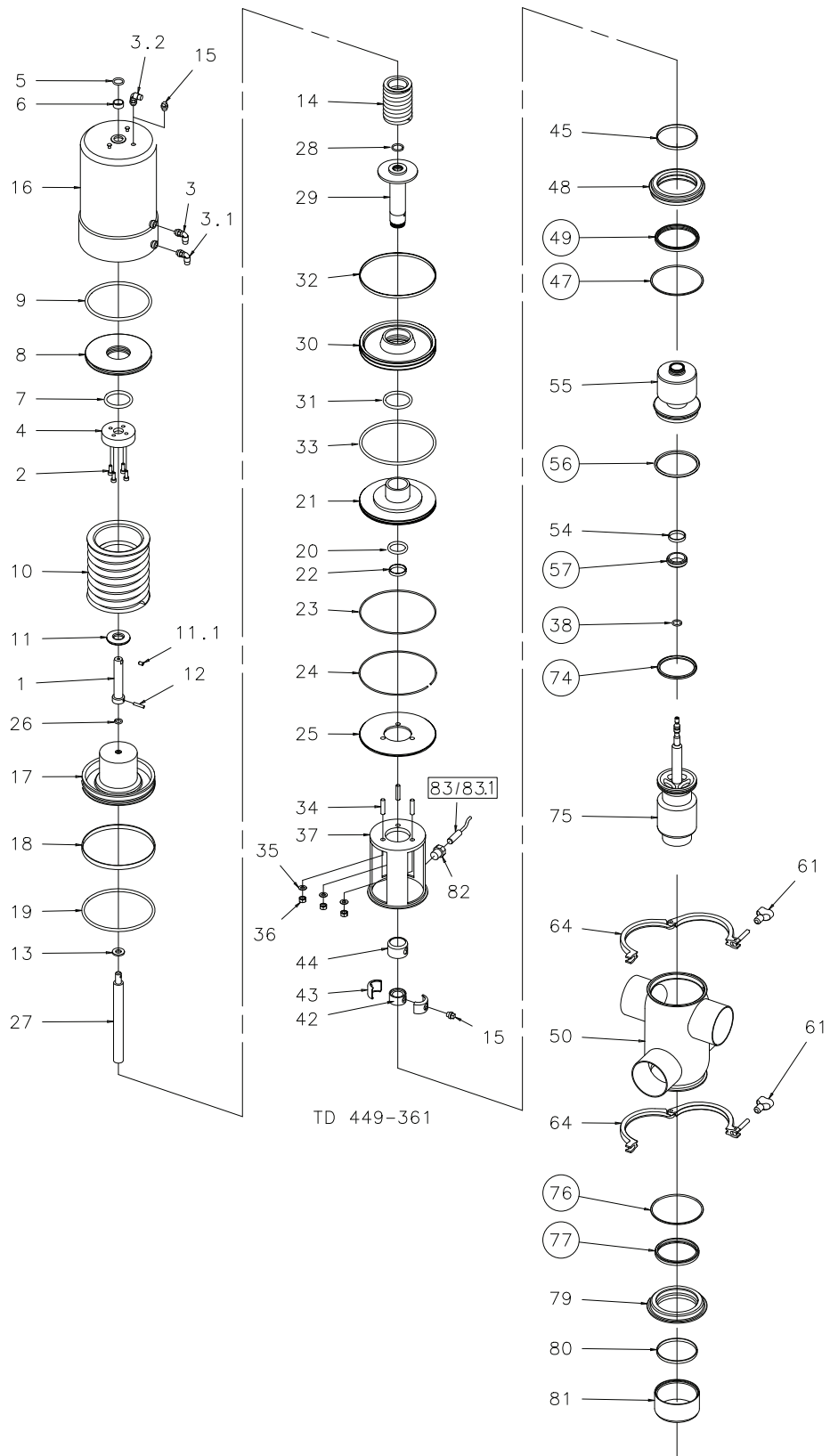
Pos	Qty	Denomination	PMO 1½"	PMO 2"	PMO 2½"	PMO 4"	PMO 6"
			Seat ø53.3	Seat ø81.3	Seat ø115.3	Seat ø143.9	Seat ø206.1
38	1	O-ring, EPDM	9611993555	9611993555	9611993572	9611993572	9611993572
47	1	O-ring, , EPDM (Standard)	9611993628	9611993636	9611993640	9611993644	9611995003
	1	O-ring , NBR	9611993629	9611993637	9611993641	9611993645	9611995004
	1	O-ring, HNBR	9611993631	9611993639	9611993643	9611993647	9611995006
	1	O-ring, FPM	9611993630	9611993638	9611993642	9611993646	9611995005
49	1	Lip seal, EPDM (Standard)	9613008521	9613008526	9613008531	9613008536	9613008560
	1	Lip seal, NBR	9613008522	9613008546	9613008547	9613008537	9613008565
	1	Lip seal, HNBR	9613008524	9613008529	9613008534	9613008539	9613008563
	1	Lip seal , FPM	9613008523	9613008528	9613008533	9613008538	9613008562
56	1	Seal ring, EPDM (Standard)	9613095106	9613095109	9613095112	9613095123	9613095151
	1	Seal ring , , NBR	9613095114	9613095115	9613095116	9613095124	9613095152
	1	Seal ring , HNBR	9613095104	9613095107	9613095110	9613095121	9613095149
	1	Seal ring , FPM	9613095105	9613095108	9613095111	9613095122	9613095150
57	1	Lip seal, EPDM (Standard)	9613008706	9613008711	9613008711	9613008711	9613008711
	1	Lip seal, NBR	9613008707	9613008718	9613008718	9613008718	9613008718
	1	Lip seal, HNBR	9613008709	9613008714	9613008714	9613008714	9613008714
	1	Lip seal, FPM	9613008708	9613008713	9613008713	9613008713	9613008713
74	1	Seal ring, EPDM (Standard)	9613095206	9613095209	9613095212	9613095223	9613095247
	1	Seal ring, NBR	9613095214	9613095215	9613095216	9613095224	9613095248
	1	Seal ring, HNBR	9613095204	9613095207	9613095210	9613095221	9613095245
	1	Seal ring, FPM Alfa Laval recommends EPDM	9613095205	9613095208	9613095211	9613095222	9613095246
76	1	O-ring, EPDM (Standard)	9611993628	9611993636	9611993640	9611993644	9611995003
	1	O-ring, NBR	9611993629	9611993637	9611993641	9611993645	9611995004
	1	O-ring , HNBR	9611993631	9611993639	9611993643	9611993647	9611995006
	1	O-ring , FPM	9611993630	9611993638	9611993642	9611993646	9611995005
77	1	Lip seal, EPDM (Standard)	9613008554	9613008526	9613008531	9613008536	9613008560
	1	Lip seal , NBR	9613008559	9613008546	9613008547	9613008537	9613008565
	1	Lip seal, HNBR	9613008557	9613008529	9613008534	9613008539	9613008563
	1	Lip seal, FPM	9613008556	9613008528	9613008533	9613008538	9613008562

1.8

NOTE!  
All FPM service kits are supplied with EPDM seal ring, pos. 74.



1.8



Parts

Pos	Qty	Denomination	PMO 1½" Seat ø53.3	PMO 2" Seat ø81.3	PMO 2½" Seat ø115.3	PMO 3" Seat ø115.3	PMO 4" Seat ø143.9	PMO 6" Seat ø206.1
		Cpl. Actuator	9613055480	9613055468	9613099509	9613099509	9613083769	9613489012
1	1	Upper stem	9613010102	9613010102	9613007401	9613007401	9613007402	9613007404
2	4	Screw			9611993342	9611993342	9611993342	9611990144
3	1	Air fitting blue	9611993780	9611993780	9611993780	9611993780	9611993780	9611993780
3.1	1	Air fitting , red	9611994172	9611994172	9611994172	9611994172	9611994172	9611994172
3.2	1	Air fitting , yellow	9611994171	9611994171	9611994171	9611994171	9611994171	9611994171
4	1	Stop for upper piston			9613005301	9613005301	9613005302	9613488301
5	•	O-ring, NBR	9611993499	9611993499	9611993499	9611993499	9611993499	9611993499
6	•	Guide ring, Turcite	9613008408	9613008408	9613008408	9613008408	9613008408	9613008408
7	•	O-ring, NBR			9611993514	9611993514	9611993514	9611993514
8	1	Upper piston			9613005601	9613005601	9613005602	9613005602
9	•	O-ring, NBR			9611993512	9611993512	9611993513	9611993513
10	1	Spring assembly	9613012501	9613012501	9613007501	9613007501	9613025603	9613025605
11	1	Distance spacer	9613010202	9613010202				9613010207
11.1	1	Screw	9611991763	9611991763				
12	1	Pin	9611994197	9611994197	9611994198	9611994198	9611994199	9611994199
13	1	Washer	9611993594	9611993594	9611993595	9611993595	9611993596	9611993596
14	1	Spring assembly	9613013101	9613013102	9613009502	9613009502	9613009502	9613009503
15	1	Plug	9613414101	9613414101	9613414101	9613414101	9613414101	9613414101
16	1	Cylinder (3A marking)	9613012611	9613012611	9613005111	9613005111	9613015016	9613015022
17	1	Main piston	9613013201	9613013201	9613005701	9613005701	9613015901	9613015901
18	•	Guide ring, Turcite	9613008409	9613008409	9613008410	9613008410	9613008411	9613008411
19	•	O-ring, NBR	9611993505	9611993505	9611993507	9611993507	9611993509	9611993509
20	•	O-ring, NBR	9611993503	9611993503	9611993607	9611993607	9611993607	9611993607
21	1	Bottom	9613014001	9613014001	9613005401	9613005401	9613016801	9613016801
22	•	Guide ring, Turcite	9613008403	9613008403	9613008404	9613008404	9613008404	9613008404
23	•	O-ring, NBR	9611992228	9611992228	9611991489	9611991489	22340675	22340675
24	1	Retaining ring	9613024802	9613024802	9613024803	9613024803	9613024804	9613024804
25	1	Cover disk	9613005802	9613005802	9613005803	9613005803	9613005804	9613005804
26	•	O-ring, NBR	9611993528	9611993528	9611993495	9611993495	9611993530	9611993530
27	1	Inner stem	9613010602	9613010603	9613007303	9613007303	9613007302	9613007305
28	•	O-ring	9611993495	9611993495	9611990030	9611990030	9611990030	9611990030
29	1	Piston rod	9613013401	9613013402	9613006002	9613006002	9613006002	9613006004
30	1	Lower piston	9613013801	9613013801	9613005501	9613005501	9613016601	9613016601
31	•	O-ring, NBR	42153	42153	42153	42153	42153	42153
32	•	Guide ring, Turcite	9613008405	9613008405	9613008406	9613008406	9613008407	9613008407
33	•	O-ring, NBR	22341275	22341275	9611993508	9611993508	9611993510	9611993510
34	3	Bolt	9611993618	9611993618	9611993618	9611993618	9611993618	9611993618
35	3	Washer	9611993594	9611993594	9611993594	9611993594	9611993594	9611993594
36	3	Nut	9611990360	9611990360	9611990360	9611990360	9611990360	9611990360
42	1	Spindle liner	9613011601	9613033501	9613009001	9613009001	9613009001	9613009001
43	2	Clamp	9613011801	9613033601	9613009201	9613009201	9613009201	9613009201
44	1	Lock	9613011701	9613009102	9613009101	9613009101	9613009101	9613009101

Actuator diameter	Ø120	Ø157	Ø186
Actuator type	3	4BS	4SS, 5BS, 5SS
Connection size*	DN/OD 1½"-2"*	DN/OD 2½"-3"*	DN/OD 4"-6"*

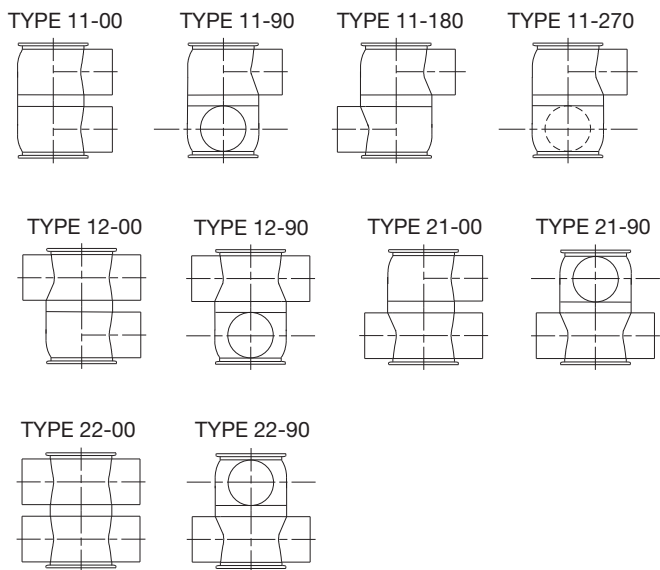
• Actuator service kit, part no. 9611926414 9611926415 9611926416

Pos	Qty	Denomination				
45	1	Guide ring, PTFE		9613008413	9613008414	9613008415
48	1	Upper sealing element		9613490401	9613006404	9613018804
54	1	Guide ring, PTFE		9613008401	9613008402	9613008402
55	1	Upper plug		9613489801	9613458601	9613458701
61	2	Wingnut		9612558001	9612558001	9612558001
64	2	Clamp without nut		9613021501	9613021601	9613021701
75	1	Lower plug		9613490601	9613070501	9613070601
79	1	Lower sealing element		9613490001	9613024104	9613024304
80	1	Guide ring, PTFE		9613008427	9613008414	9613008415
81	1	Cover		9613049026	9613049006	9613049007
82	1	Bolt for indication		9613490102	9613092604	9613092604
83	1	Sensor for indication		9611995770	9611995770	9611995770
83.1	1	Cable for sensor for indication		9611994915	9611994915	9611994915
84	1	Plate for sensor for indication		9613095701	9613095701	9613095701

## Parts

1.8

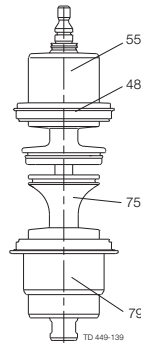
Pos	Qty	Denomination	PMO 1½" Seat ø53.3	PMO 2" Seat ø81.3	PMO 2½" Seat ø115.3	PMO 3" Seat ø115.3	PMO 4" Seat ø143.9	PMO 6" Seat ø206.1
37	1	Intermediate piece . . . . .	9613015609	9613019121	9613019215	9613019213	9613019317	9613496601
50	1	Valve body, 11-00 . . . . .	9613489201	9613070901	9613071001	9613071101	9613071201	9613484801
	1	Valve body, 12-00 . . . . .	9613489205	9613070905	9613071005	9613071105	9613071205	9613484805
	1	Valve body, 21-00 . . . . .	9613489207	9613070907	9613071007	9613071107	9613071207	9613484807
	1	Valve body, 22-00 . . . . .	9613489209	9613070909	9613071009	9613071109	9613071209	9613484809
	1	Valve body, 11-90 . . . . .	9613489202	9613070902	9613071002	9613071102	9613071202	9613484802
	1	Valve body, 12-90 . . . . .	9613489206	9613070906	9613071006	9613071106	9613071206	9613484806
	1	Valve body, 21-90 . . . . .	9613489208	9613070908	9613071008	9613071108	9613071208	9613484808
	1	Valve body, 22-90 . . . . .	9613489210	9613070910	9613071010	9613071110	9613071210	9613484810
	1	Valve body, 11-180 . . . . .	9613489203	9613070903	9613071003	9613071103	9613071203	9613484803
	1	Valve body, 11-270 . . . . .	9613489204	9613070904	9613071004	9613071104	9613071204	9613484804



TD 449-014\_3

## Service kits for Product Wetted Parts

### Plug set-up



(Plug set-up 12)

**PMO 1.5"**

Service kit, NBR	9611926845
Service kit, EPDM	9611926846
Service kit, HNBR	9611926847
Service kit, FPM	9611926848

**PMO 2"**

Service kit, NBR	9611926016
Service kit, EPDM	9611926013
Service kit, HNBR	9611926022
Service kit, FPM	9611926019

**PMO 2.5"+3"**

Service kit, NBR	9611926017
Service kit, EPDM	9611926014
Service kit, HNBR	9611926023
Service kit, FPM	9611926020

**PMO 4"**

Service kit, NBR	9611926018
Service kit, EPDM	9611926015
Service kit, HNBR	9611926024
Service kit, FPM	9611926021

**PMO 6"**

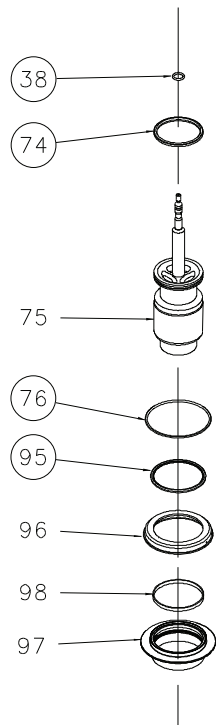
Service kit, NBR	9611926849
Service kit, EPDM	9611926850
Service kit, HNBR	9611926851
Service kit, FPM	9611926852

**NOTE!**

All FPM service kits are supplied with EPDM seal ring, pos. 74.

# Rebuilding Set PMO Plus to PMO Plus CP

1.8



TD 449-362

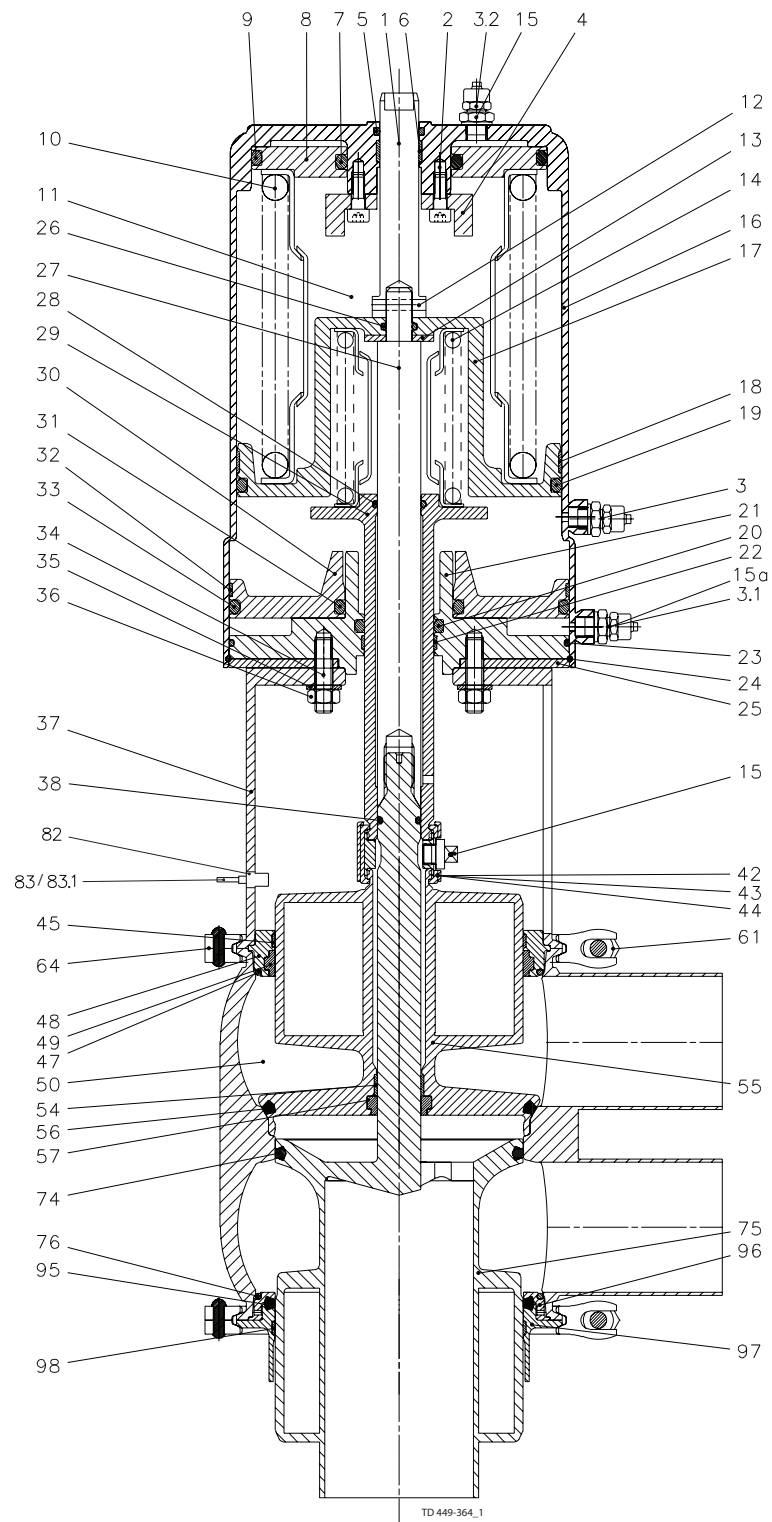
## Rebuilding Set PMO Plus to PMO Plus CP

Pos	Qty	Denomination	PMO 1½"	PMO 2"	PMO 2½"	PMO 3"	PMO 4"	PMO 6"
			Seat ø53.3	Seat ø81.3	Seat ø115.3	Seat ø115.3	Seat ø143.9	Seat ø206.1
		Lower plug, cpl., NBR . . .	9613466273	9613466217	9613466218	9613466219	9613466220	9613466274
		Lower plug, cpl., EPDM . .	9613466275	9613466221	9613466222	9613466223	9613466224	9613466276
		Lower plug, cpl., HNBR . .	9613466277	9613466225	9613466226	9613466227	9613466228	9613466278
		Lower plug, cpl., FPM . . .	9613466279	9613466229	9613466230	9613466231	9613466232	9613466280

1.8

Pos	Qty	Denomination
38	1	O-ring . . . . .
74	1	Seal ring . . . . .
75	1	Lower plug . . . . .
76	1	O-ring . . . . .
95	1	Special lip seal . . . . .
96	1	Lower sealing element, upper part . . . . .
97	1	Lower sealing element, lower part . . . . .
98	1	Guide ring . . . . .

1.8



## Wear Parts

Pos	Qty	Denomination	PMO 1½"	PMO 2"	PMO 2½"	PMO 4"	PMO 6"
			Seat ø53.3	Seat ø81.3	Seat ø115.3	Seat ø143.9	Seat ø206.1
38	1	O-ring, EPDM	9611993555	9611993555	9611993572	9611993572	9611993572
47	1	O-ring, EPDM (Standard)	9611993628	9611993636	9611993640	9611993644	9611995003
	1	O-ring, NBR	9611993629	9611993637	9611993641	9611993645	9611995004
	1	O-ring, HNBR	9611993630	9611993639	9611993643	9611993647	9611995006
	1	O-ring, FPM	9611993631	9611993638	9611993642	9611993646	9611995005
49	1	Lip seal, EPDM (Standard)	9613008521	9613008526	9613008531	9613008536	9613008560
	1	Lip seal, NBR	9613008522	9613008546	9613008547	9613008537	9613008565
	1	Lip seal, HNBR	9613008524	9613008529	9613008534	9613008539	9613008563
	1	Lip seal, FPM	9613008523	9613008528	9613008533	9613008538	9613008562
56	1	Seal ring, EPDM (Standard)	9613095106	9613095109	9613095112	9613095123	9613095151
	1	Seal ring, NBR	9613095114	9613095115	9613095116	9613095124	9613095152
	1	Seal ring, HNBR	9613095104	9613095107	9613095110	9613095121	9613095149
	1	Seal ring, FPM	9613095105	9613095108	9613095111	9613095122	9613095150
57	1	Lip seal, EPDM (Standard)	9613008706	9613008711	9613008711	9613008711	9613008711
	1	Lip seal, NBR	9613008707	9613008718	9613008718	9613008718	9613008718
	1	Lip seal, HNBR	9613008709	9613008714	9613008714	9613008714	9613008714
	1	Lip seal, FPM	9613008708	9613008713	9613008713	9613008713	9613008713
74	1	Seal ring, EPDM (Standard)	9613095206	9613095209	9613095212	9613095223	9613095247
	1	Seal ring, NBR	9613095214	9613095215	9613095216	9613095224	9613095248
	1	Seal ring, HNBR	9613095204	9613095207	9613095210	9613095221	9613095245
	1	Seal ring, FPM - Alfa Laval recommends EPDM	9613095205	9613095208	9613095211	9613095222	9613095246
76	1	O-ring, EPDM (Standard)	9611993628	9611993636	9611993640	9611993644	9611995003
	1	O-ring, NBR	9611993629	9611993637	9611993641	9611993645	9611995004
	1	O-ring, HNBR	9611993630	9611993639	9611993643	9611993647	9611995006
	1	O-ring, FPM	9611993631	9611993638	9611993642	9611993646	9611995005
95	1	Special lip seal, EPDM (standard)	9613464243	9613464203	9613464207	9613464211	9613464247
	1	Special lip seal, NBR	9613464244	9613464204	9613464208	9613464212	9613464248
	1	Special lip seal, HNBR	9613464241	9613464201	9613464205	9613464209	9613464245
	1	Special lip seal, FPM	9613464242	9613464202	9613464206	9613464210	9613464246

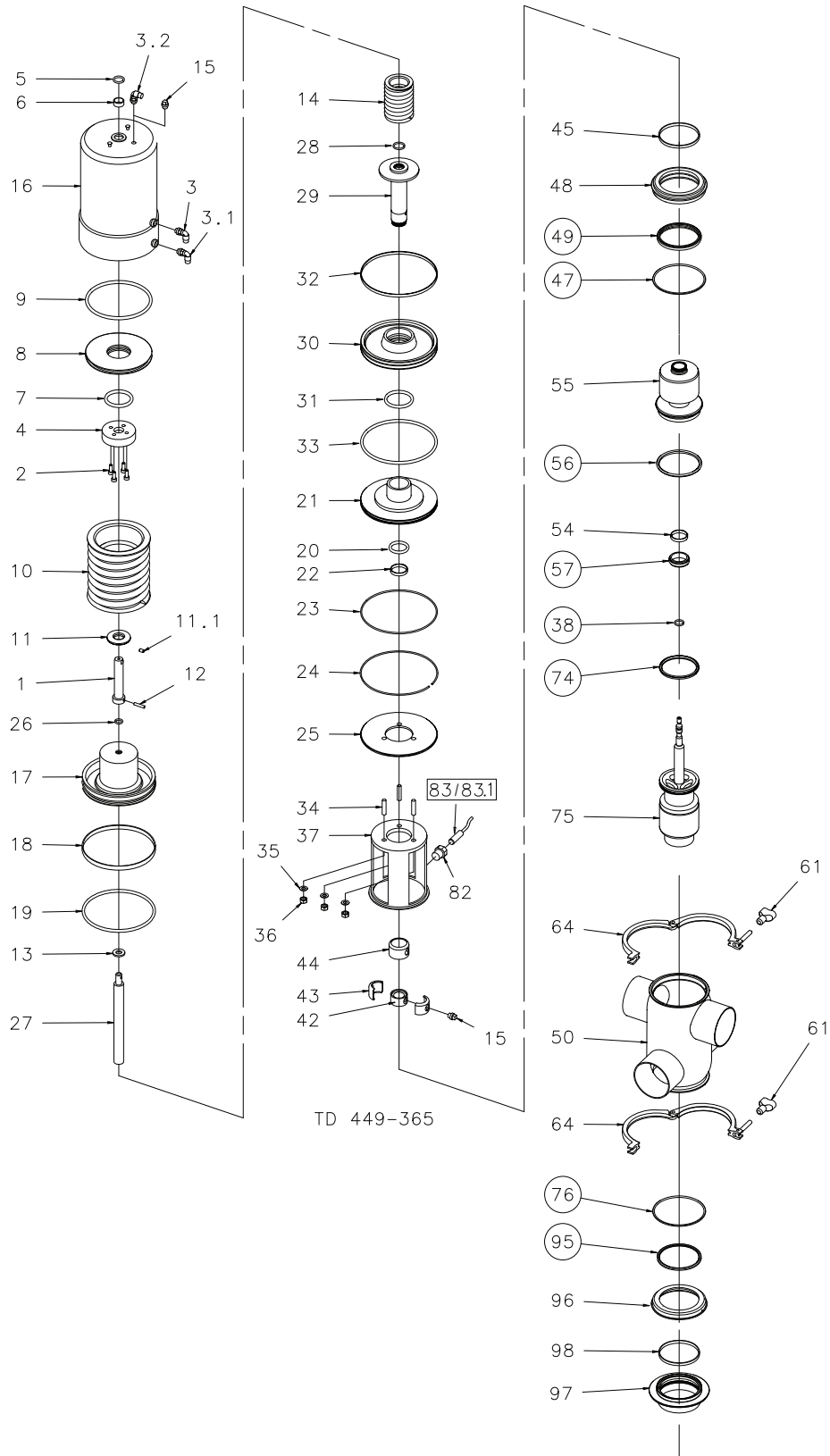
**NOTE!**

All FPM service kits are supplied with EPDM seal ring, pos. 74.



# Parts

1.8



○ = Wear parts

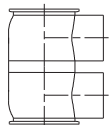


## Parts

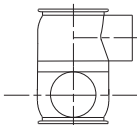
1.8

Pos	Qty	Denomination	PMO 1½" Seat ø53.3	PMO 2" Seat ø81.3	PMO 2.5" Seat ø115.3	PMO 3" Seat ø115.3	PMO 4" Seat ø143.9	PMO 6" Seat ø206.1
37	1	Intermediate piece . . . . .	9613015609	9613019121	9613019215	9613019213	9613019317	9613496601
50	1	Valve body, 11-00 . . . . .	9613489201	9613070901	9613071001	9613071101	9613071201	9613484801
	1	Valve body, 12-00 . . . . .	9613489205	9613070905	9613071005	9613071105	9613071205	9613484805
	1	Valve body, 21-00 . . . . .	9613489207	9613070907	9613071007	9613071107	9613071207	9613484807
	1	Valve body, 22-00 . . . . .	9613489209	9613070909	9613071009	9613071109	9613071209	9613484809
	1	Valve body, 11-90 . . . . .	9613489202	9613070902	9613071002	9613071102	9613071202	9613484802
	1	Valve body, 12-90 . . . . .	9613489206	9613070906	9613071006	9613071106	9613071206	9613484806
	1	Valve body, 21-90 . . . . .	9613489208	9613070908	9613071008	9613071108	9613071208	9613484808
	1	Valve body, 22-90 . . . . .	9613489210	9613070910	9613071010	9613071110	9613071210	9613484810
	1	Valve body, 11-180 . . . . .	9613489203	9613070903	9613071003	9613071103	9613071203	9613484803
	1	Valve body, 11-270 . . . . .	9613489204	9613070904	9613071004	9613071104	9613071204	9613484804

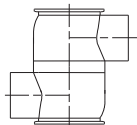
TYPE 11-00



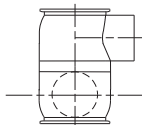
TYPE 11-90



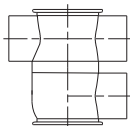
TYPE 11-180



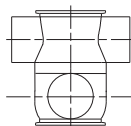
TYPE 11-270



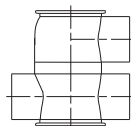
TYPE 12-00



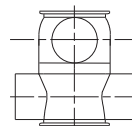
TYPE 12-90



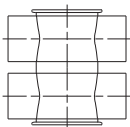
TYPE 21-00



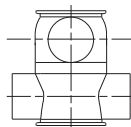
TYPE 21-90



TYPE 22-00



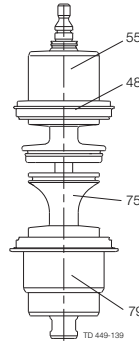
TYPE 22-90



TD 449-014\_3

## Service kits for Product Wetted Parts

### Plug set-up



(Plug set-up 12)

**PMO 1.5"**

Service kit, NBR	9611926853
Service kit, EPDM	9611926854
Service kit, HNBR	9611926855
Service kit, FPM	9611926856

**PMO 2"**

Service kit, NBR	9611926830
Service kit, EPDM	9611926827
Service kit, HNBR	9611926836
Service kit, FPM	9611926833

**PMO 2.5"+3"**

Service kit, NBR	9611926831
Service kit, EPDM	9611926828
Service kit, HNBR	9611926837
Service kit, FPM	9611926834

**PMO 4"**

Service kit, NBR	9611926832
Service kit, EPDM	9611926829
Service kit, HNBR	9611926838
Service kit, FPM	9611926835

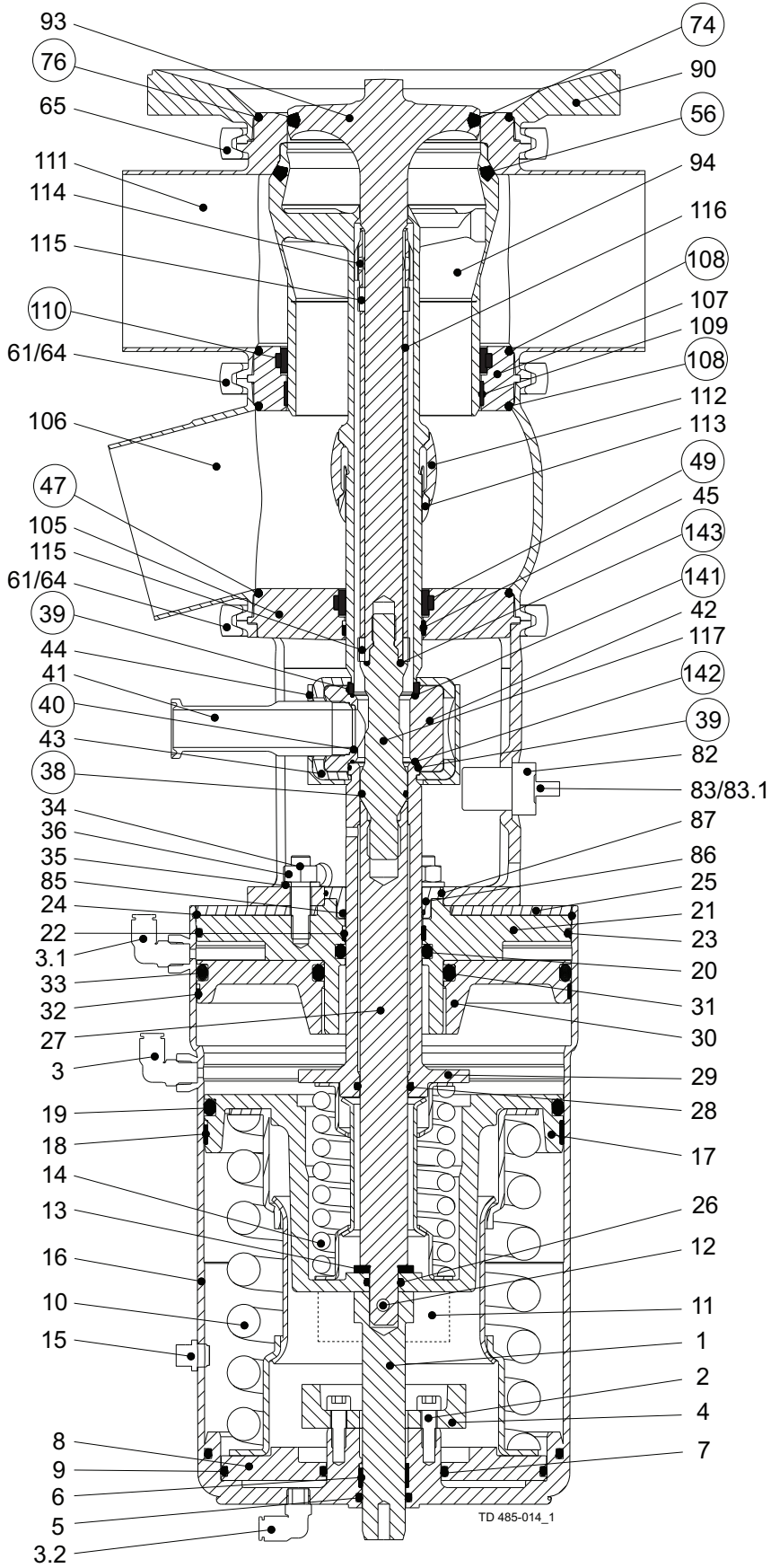
**PMO 6"**

Service kit, NBR	9611926857
Service kit, EPDM	9611926858
Service kit, HNBR	9611926859
Service kit, FPM	9611926860

**NOTE!**

All FPM service kits are supplied with EPDM seal ring, pos. 74.

1.8



○ = wear parts

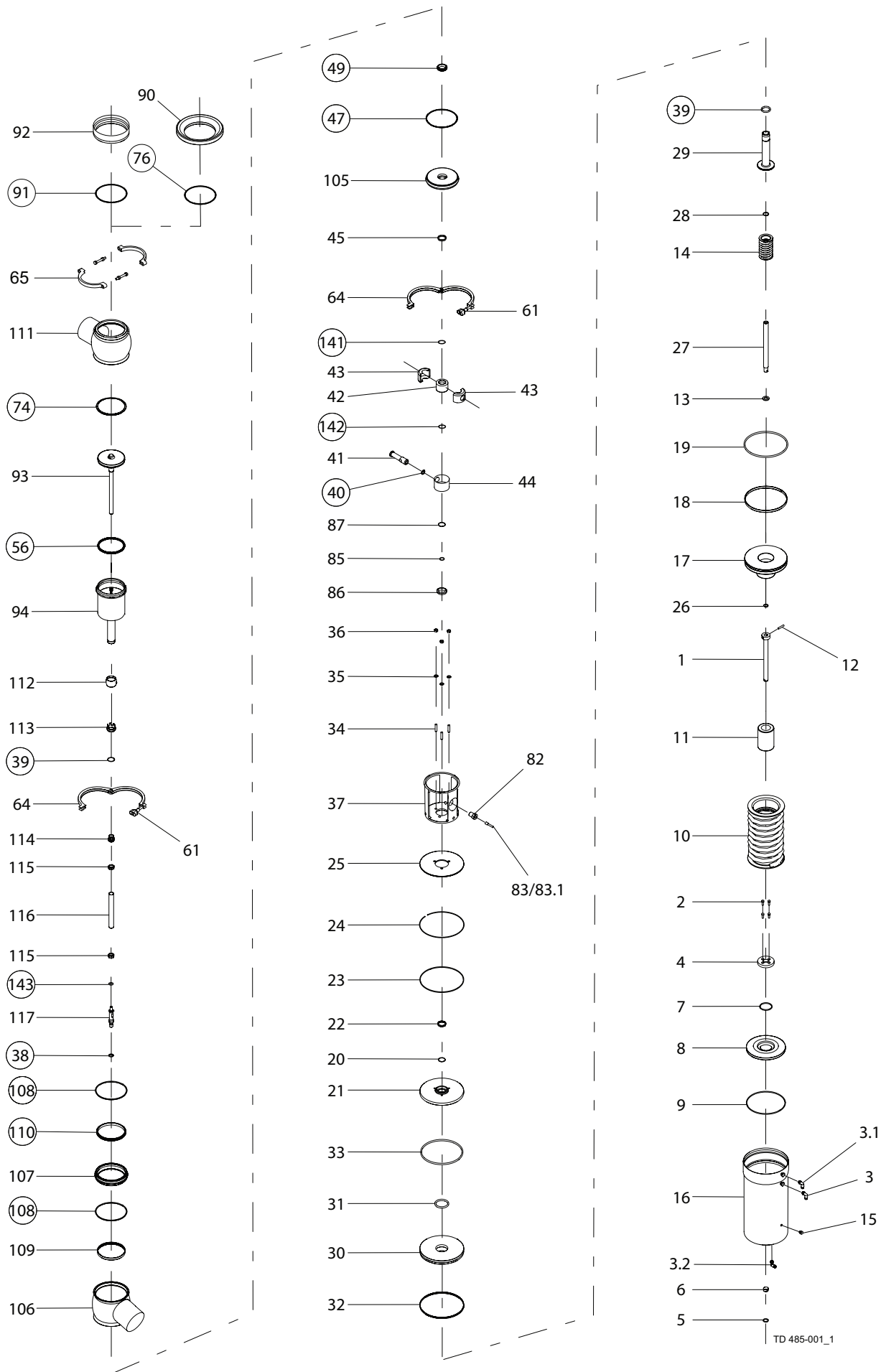
## Wear Parts

Pos	Qty	Denomination	2"	4"
			2½"	3"
			Seat ø81.3	Seat ø115.3
38	1	O-ring, EPDM	9611992671	9611992671
39	2	O-ring, EPDM	9611993493	9611993493
40	1	O-ring, EPDM	9611992671	9611992671
47	1	O-ring, EPDM (Standard)	9611993636	9611993640
	1	O-ring, NBR	9611993637	9611993641
	1	O-ring, HNBR	9611993639	9611993643
	1	O-ring, FPM	9611993638	9611993642
49	1	Lip seal, EPDM (Standard)	9613008511	9613008511
	1	Lip seal, NBR	9613008543	9613008543
	1	Lip seal, HNBR	9613008514	9613008514
	1	Lip seal, FPM	9613008513	9613008513
56	1	Seal ring, EPDM (Standard)	9613095109	9613095112
	1	Seal ring, NBR	9613095115	9613095116
	1	Seal ring, HNBR	9613095107	9613095110
	1	Seal ring, FPM	9613095108	9613095111
74	1	Seal ring, EPDM (Standard)	9613095209	9613095212
	1	Seal ring, NBR	9613095215	9613095216
	1	Seal ring, HNBR	9613095207	9613095210
	1	Seal ring, FPM - Alfa Laval recommends EPDM	9613095208	9613095211
76	1	O-ring, EPDM (Standard)	9611993636	9611993640
	1	O-ring, NBR	9611993637	9611993641
	1	O-ring, HNBR	9611993639	9611993643
	1	O-ring, FPM	9611993638	9611993642
91	1	O-ring, EPDM (Standard)	9611994610	9611993640
	1	O-ring, NBR	9611994611	9611993641
	1	O-ring, HNBR	9611994613	9611993643
	1	O-ring, FPM	9611994612	9611993642
108	2	O-ring, EPDM (Standard)	9611993636	9611993640
	2	O-ring, NBR	9611993637	9611993641
	2	O-ring, HNBR	9611993639	9611993643
	2	O-ring, FPM	9611993638	9611993642
110	1	Lip seal, EPDM (Standard)	9613008526	9613008531
	1	Lip seal, NBR	9613008546	9613008547
	1	Lip seal, HNBR	9613008529	9613008534
	1	Lip seal, FPM	9613008528	9613008533
141	1	O-ring, EPDM	9611993493	9611993493
142	1	O-ring, EPDM	9611993493	9611993493
143	1	O-ring, EPDM	9611995345	9611995345

**NOTE!**

All FPM service kits are supplied with EPDM seal ring, pos. 74.

1.8



○ = wear parts  
1.8.690

TD 485-001\_1

# Parts

Pos	Qty	Denomination	2" Seat ø81.3	2½" Seat ø81.3	3" Seat ø81.3	4" Seat ø115.3
1	1	Cpl. Actuator	9613099529	9613099529	9613099529	9613489068
2	4	Upper stem	9613007406	9613007406	9613007406	9613007405
3	1	Screw	9611993342	9611993342	9611993342	9611990144
3.1	1	Air fitting, blue	9611993780	9611993780	9611993780	9611993780
3.2	1	Air fitting, red	9611994172	9611994172	9611994172	9611994172
4	1	Air fitting, yellow	9611994171	9611994171	9611994171	9611994171
5	1	Stop for upper piston	9613005301	9613005301	9613005301	9613488301
6	1	O-ring, NBR	9611993499	9611993499	9611993499	9611993499
7	1	Guide ring, Turcite	9613008408	9613008408	9613008408	9613008408
8	1	O-ring, NBR	9611995099	9611995099	9611995099	9611995099
9	1	Upper piston	9614032101	9614032101	9614032101	9614032102
10	1	O-ring, NBR	9611995097	9611995097	9611995097	9611995097
11	1	Spring assembly	9613007501	9613007501	9613007501	9613025607
12	1	Distance spacer				9613010207
13	1	Pin	9611994198	9611994198	9611994198	9611994199
14	1	Washer	9611993595	9611993595	9611993595	9611993596
15	1	Spring assembly	9613009504	9613009504	9613009504	9613009504
16	1	Plug	9613414101	9613414101	9613414101	9613414101
17	1	Cylinder (3A marking)	9613005112	9613005112	9613005112	9613015028
18	1	Main piston	9614032201	9614032201	9614032201	9614032202
19	1	Guide ring, Turcite	9613008410	9613008410	9613008410	9613008411
20	1	O-ring, NBR	9611993507	9611993507	9611993507	9611993509
21	1	O-ring, NBR	9611993607	9611993607	9611993607	9611993607
22	1	Bottom	9613005401	9613005401	9613005401	9613016801
23	1	Guide ring, Turcite	9613008404	9613008404	9613008404	9613008404
24	1	O-ring, NBR	9611991489	9611991489	9611991489	22340675
25	1	Retaining ring	9613024803	9613024803	9613024803	9613024804
26	1	Cover disk	9613005803	9613005803	9613005803	9613005804
27	1	O-ring, NBR	9611993495	9611993495	9611993495	9611993530
28	1	Inner stem	9613007301	9613007301	9613007301	9613007305
29	1	O-ring	9611990030	9611990030	9611990030	9611990030
30	1	Piston rod	9613006006	9613006006	9613006006	9613006005
31	1	Lower piston	9613005501	9613005501	9613005501	9613016601
32	1	O-ring, NBR	42153	42153	42153	42153
33	1	Guide ring, Turcite	9613008406	9613008406	9613008406	9613008407
34	1	O-ring, NBR	9611993508	9611993508	9611993508	9611993510
35	3	Bolt	9611995392	9611995392	9611995392	9611995392
35.1	2	Washer	9611993594	9611993594	9611993594	9611993594
36	1	Washer	9611992559	9611992559	9611992559	9611992559
41	3	Nut	9611990360	9611990360	9611990360	9611990360
42	1	Flushing tube	9614030801	9614030801	9614030801	9614030802
43	1	Spindle liner	9614030701	9614030701	9614030701	9614030701
44	2	Clamp	9614030601	9614030601	9614030601	9614030601
	1	Lock	9614030501	9614030501	9614030501	9614030502

Actuator diameter  
Actuator type  
Connection size\*

Ø157	Ø186
4-TO Basic	6-TO Basic
2" + 2.5" + 3"	4"

• Actuator service kit, part no.

9611928349	9611928350
------------	------------

1.8



### Parts

1.8

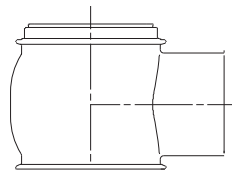
Pos	Qty	Denomination	2" Seat ø81.3	2½" Seat ø81.3	3" Seat ø81.3	4" Seat ø115.3
45	1	Guide ring, PTFE	9613008417	9613008417	9613008417	9613008417
61	2	Wingnut	9612558001	9612558001	9612558001	9612558001
64	2	Clamp without nut	9613021601	9613021601	9613021601	9614076601
65	1	Clamp with screws	9613017902	9613017902	9613017902	9613018002
82	Δ	Bolt for indication	9613092604	9613092604	9613092604	9613092604
83	Δ	Sensor for indication	9611995770	9611995770	9611995770	9611995770
83.1	1	Cable for sensor for indication	9611994915	9611994915	9611994915	9611994915
85	1	O-ring	9611990092	9611990092	9611990092	9611990092
86	1	Plug for actuator	9613099002	9613099002	9613099002	9613099002
87	1	O-ring	9611994599	9611994599	9611994599	9611994599
90	1	Tank flange	9613099201	9613099201	9613099201	9613099301
92	1	Pipe flange	9614050401	9614050401	9614050401	9614050501
93	1	Tank plug	9614007601	9614007901	9614006601	9614008201
94	1	Balance plug	9614010401	9614010701	9614009301	9614011001
105	1	Upper sealing element	9613006403	9613006403	9613006403	9613018803
107	1	Sealing element	9614001301	9614001301	9614001301	9614001401
109	1	Guide ring, PTFE	9613466108	9613466108	9613466108	9613466109
112	1	Rotating nozzle	9614010101	9614010101	9614010101	9614010101
113	1	Lockring rotating nozzle	9614010201	9614010201	9614010201	9614010201
114	1	Rotating nozzle	9614007101	9614007101	9614007101	9614007101
115	2	Guidering rotating nozzle	9614007201	9614007201	9614007201	9614007201
116	1	Pipe	9614007301	9614007302	9614007303	9614007304
117	1	Spindle	9614007401	9614007401	9614007401	9614007401

Note!

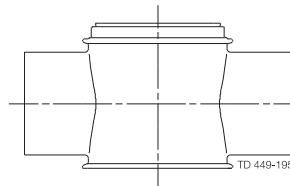
Δ Sensor service kit for valves delivered prior to October 2015 - 9611928352

900-579/6

### Parts



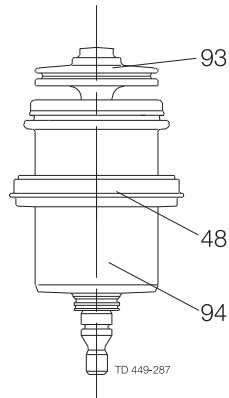
Type 20



Type 30

Pos	Qty	Denomination	2" Seat ø81.3	2½" Seat ø81.3	3" Seat ø81.3	4" Seat ø115.3
37	1	Intermediate piece	9613019124	9613019124	9613019124	9613019218
111	1	Valve body, type 20	9614050217	9614050219	9614050221	9614050223
	1	Valve body, type 30	9614050218	9614050220	9614050222	9614050224
106	1	Vent body	9614001601	9614001901	9614002201	9614002501

## Service kits for Product Wetted Parts

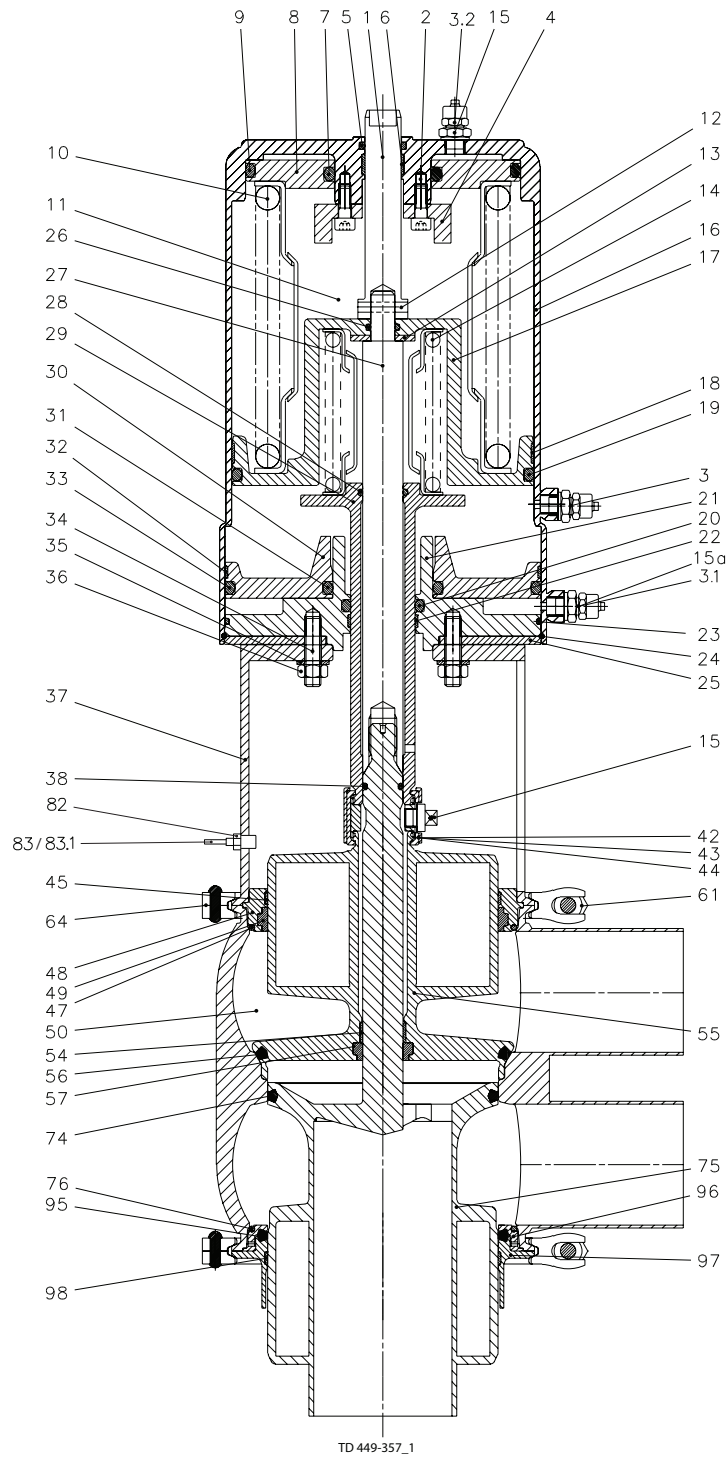


	Pipe flange	Tank flange
<b>2" + 2.5" + 3"</b>		
Service kit, EPDM .....	9611926901	9611926967
Service kit, NBR .....	9611926902	9611926968
Service kit, HNBR .....	9611926903	9611926969
Service kit, FPM .....	9611926904	9611926970
<b>4"</b>		
Service kit, EPDM .....	9611926905	9611926971
Service kit, NBR .....	9611926906	9611926972
Service kit, HNBR .....	9611926907	9611926973
Service kit, FPM .....	9611926908	9611926974

**NOTE!**

All FPM service kits are supplied with EPDM seal ring, pos. 74.

1.8



## Wear Parts

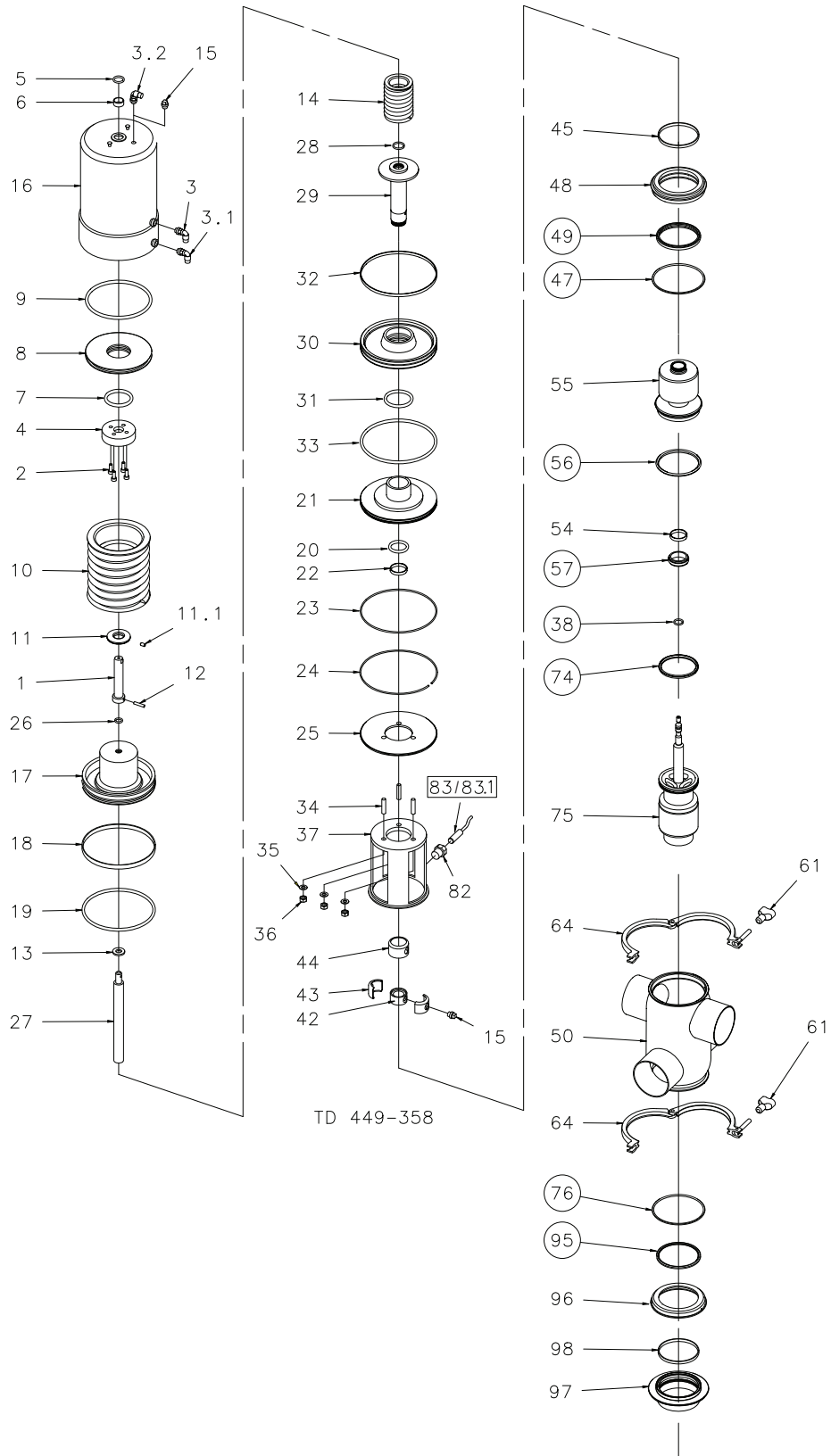
Pos	Qty	Denomination	PMO 1½"	PMO 2"	PMO 2½"	PMO 4"	PMO 6"
			Seat ø53.3	Seat ø81.3	Seat ø115.3	Seat ø143.9	Seat ø206.1
38	1	O-ring, EPDM	9611993555	9611993555	9611993572	9611993572	9611993572
47	1	O-ring, EPDM (standard)	9611993628	9611993636	9611993640	9611993644	9611995003
	1	O-ring, NBR	9611993629	9611993637	9611993641	9611993645	9611995004
	1	O-ring, HNBR	9611993631	9611993639	9611993643	9611993647	9611995006
	1	O-ring, FPM	9611993630	9611993638	9611993642	9611993646	9611995005
49	1	Lip seal, EPDM (standard)		9613008521	9613008526	9613008531	9613008536
	1	Lip seal, NBR	9613008522	9613008546	9613008547	9613008537	9613008565
	1	Lip seal, HNBR	9613008524	9613008529	9613008534	9613008539	9613008563
	1	Lip seal, FPM	9613008523	9613008528	9613008533	9613008538	9613008562
56	1	Seal ring, EPDM (Standard)	9613095106	9613095109	9613095112	9613095123	9613095151
	1	Seal ring, NBR	9613095114	9613095115	9613095116	9613095124	9613095152
	1	Seal ring, HNBR	9613095104	9613095107	9613095110	9613095121	9613095149
	1	Seal ring, FPM	9613095105	9613095108	9613095111	9613095122	9613095150
57	1	Lip seal, EDPM (Standard)	9613008706	9613008711	9613008711	9613008711	9613008711
	1	Lip seal, NBR	9613008707	9613008718	9613008718	9613008718	9613008718
	1	Lip seal, HNBR	9613008709	9613008714	9613008714	9613008714	9613008714
	1	Lip seal, FPM	9613008708	9613008713	9613008713	9613008713	9613008713
74	1	Seal ring, EPDM (Standard)	9613095206	9613095209	9613095212	9613095223	9613095247
	1	Seal ring, NBR	9613095214	9613095215	9613095216	9613095224	9613095248
	1	Seal ring, HNBR	9613095204	9613095207	9613095210	9613095221	9613095245
	1	Seal ring, FPM - Alfa Laval recommends EPDM	9613095205	9613095208	9613095211	9613095222	9613095246
76	1	O-ring, EPDM (Standard)	9611993628	9611993636	9611993640	9611993644	9611995003
	1	O-ring, NBR	9611993629	9611993637	9611993641	9611993645	9611995004
	1	O-ring, HNBR	9611993631	9611993639	9611993643	9611993647	9611995006
	1	O-ring, FPM	9611993630	9611993638	9611993642	9611993646	9611995005
95	1	Special lip seal, EDPM (Standard)	9613464243	9613464203	9613464207	9613464211	9613464247
	1	Special lip seal, NBR	9613464244	9613464204	9613464208	9613464212	9613464248
	1	Special lip seal, HNBR	9613464241	9613464201	9613464205	9613464209	9613464245
	1	Special lip seal, FPM	9613464242	9613464202	9613464206	9613464210	9613464246

**NOTE!**

All FPM service kits are supplied with EPDM seal ring, pos. 74.

Parts

1.8



○ = Wear part

## Parts

Pos	Qty	Denomination	PMO 1½" Seat ø53.3	PMO 2" Seat ø81.3	PMO 2½" Seat ø115.3	PMO 3" Seat ø115.3	PMO 4" Seat ø143.9	PMO 6" Seat ø206.1
		Cpl. Actuator	9613055476	9613055444	9613055564	9613055564	9613083745	9613489008
1	1	Upper stem	9613010102	9613010102	9613007401	9613007401	9613007402	9613007404
2	4	Screw			9611993342	9611993342	9611993342	9611990144
3	1	Air fitting, blue	9611993780	9611993780	9611993780	9611993780	9611993780	9611993780
3.1	1	Air fitting, red	9611994172	9611994172	9611994172	9611994172	9611994172	9611994172
3.2	1	Air fitting, yellow	9611994171	9611994171	9611994171	9611994171	9611994171	9611994171
4	1	Stop for upper piston			9613005301	9613005301	9613005302	9613488301
5 •	1	O-ring, NBR	9611993499	9611993499	9611993499	9611993499	9611993499	9611993499
6 •	1	Guide ring, Turcite	9613008408	9613008408	9613008408	9613008408	9613008408	9613008408
7 •	1	O-ring, NBR			9611993514	9611993514	9611993514	9611993514
8	1	Upper piston			9613005601	9613005601	9613005602	9613005602
9 •	1	O-ring, NBR			9611993512	9611993512	9611993513	9611993513
10	1	Spring assembly	9613012501	9613012501	9613007501	9613007501	9613025603	9613025605
11	1	Distance spacer	9613010202	9613010202				9613010207
11.1	1	Screw	9611991763	9611991763				
12	1	Pin	9611994197	9611994197	9611994198	9611994198	9611994199	9611994199
13	1	Washer	9611993594	9611993594	9611993595	9611993595	9611993596	9611993596
14	1	Spring assembly	9613013101	9613013102	9613009502	9613009502	9613009502	9613009503
15	1	Plug	9613414101	9613414101	9613414101	9613414101	9613414101	9613414101
16	1	Cylinder (3A marking)	9613012606	9613012606	9613005106	9613005106	9613015011	9613015021
17	1	Main piston	9613013201	9613013201	9613005701	9613005701	9613015901	9613015901
18 •	1	Guide ring, Turcite	9613008409	9613008409	9613008410	9613008410	9613008411	9613008411
19 •	1	O-ring, NBR	9611993505	9611993505	9611993507	9611993507	9611993509	9611993509
20 •	1	O-ring, NBR	9611993503	9611993503	9611993607	9611993607	9611993607	9611993607
21	1	Bottom	9613014001	9613014001	9613005401	9613005401	9613016801	9613016801
22 •	1	Guide ring, Turcite	9613008403	9613008403	9613008404	9613008404	9613008404	9613008404
23 •	1	O-ring, NBR	9611992228	9611992228	9611991489	9611991489	22340675	22340675
24	1	Retaining ring	9613024802	9613024802	9613024803	9613024803	9613024804	9613024804
25	1	Cover disk	9613005802	9613005802	9613005803	9613005803	9613005804	9613005804
26 •	1	O-ring, NBR	9611993528	9611993528	9611993495	9611993495	9611993530	9611993530
27	1	Inner stem	9613010602	9613010603	9613007303	9613007303	9613007302	9613007305
28 •	1	O-ring	9611993495	9611993495	9611990030	9611990030	9611990030	9611990030
29	1	Piston rod	9613013401	9613013402	9613006002	9613006002	9613006002	9613006004
30	1	Lower piston	9613013801	9613013801	9613005501	9613005501	9613016601	9613016601
31 •	1	O-ring, NBR	42153	42153	42153	42153	42153	42153
32 •	1	Guide ring, Turcite	9613008405	9613008405	9613008406	9613008406	9613008407	9613008407
33 •	1	O-ring, NBR	22341275	22341275	9611993508	9611993508	9611993510	9611993510
34	3	Bolt	9611993618	9611993618	9611993618	9611993618	9611993618	9611993618
35	3	Washer	9611993594	9611993594	9611993594	9611993594	9611993594	9611993594
36	3	Nut	9611990360	9611990360	9611990360	9611990360	9611990360	9611990360
42	1	Spindle liner	9613011601	9613033501	9613009001	9613009001	9613009001	9613009001
43	2	Clamp	9613011801	9613033601	9613009201	9613009201	9613009201	9613009201
44	1	Lock	9613011701	9613009102	9613009101	9613009101	9613009101	9613009101

1.8

Actuator diameter	Ø120	Ø157	Ø186
Actuator type	3	4BS	4SS, 5BS, 5SS
Connection size*	DN/OD 1½"-2**	DN/OD 2½"-3**	DN/OD 4"-6**

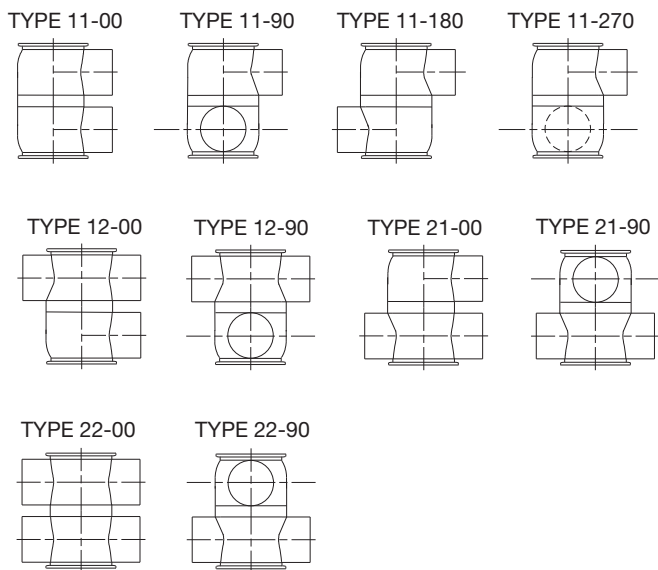
• Actuator service kit, part no.	9611926414	9611926415	9611926416
----------------------------------	------------	------------	------------

Pos	Qty	Denomination	PMO 1½"	PMO 2"	PMO 2½"	PMO 3"	PMO 4"	PMO 6"
45	1	Guide ring, PTFE			9613008413	9613008414	9613008415	9613008415
48	1	Upper sealing element			9613490401	9613006404	9613018804	9613018804
54	1	Guide ring, PTFE			9613008401	9613008402	9613008402	9613008402
55	1	Upper plug			9613491601	9613070101	9613070201	9613070203
61	2	Wingnut			9612558001	9612558001	9612558001	9612558001
64	2	Clamp without nut			9613021501	9613021601	9613021701	9613021701
75	1	Lower plug			9613491001	9613465801	9613465802	9613465803
82	1	Bolt for indication			9613490102	9613092604	9613092604	9613092604
83	1	Sensor for indication			9611995770	9611995770	9611995770	9611995770
83.1	1	Cable for sensor for indication			9611994915	9611994915	9611994915	9611994915
96	1	Lower sealing element, upper part			9613490201	9613465201	9613465401	9613465401
97	1	Lower sealing element, lower part			9613490301	9613465301	9613465501	9613465501
98	1	Guide ring, Turcite			9613466107	9613466101	9613466102	9613466102

## Parts

1.8

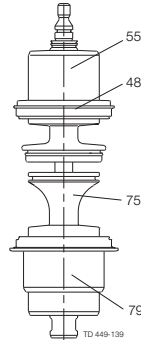
Pos	Qty	Denomination	PMO 1½" Seat ø53,3	PMO 2" Seat ø81.3	PMO 2½" Seat ø115.3	PMO 3" Seat ø115.3	PMO 4" Seat ø143.9	PMO 6" Seat ø206.1
37	1	Intermediate piece . . . . .	9613015609	9613019121	9613019215	9613019213	9613019317	9613496601
50	1	Valve body, 11-00 . . . . .	9613489201	9613070901	9613071001	9613071101	9613071201	9613484801
	1	Valve body, 12-00 . . . . .	9613489205	9613070905	9613071005	9613071105	9613071205	9613484805
	1	Valve body, 21-00 . . . . .	9613489207	9613070907	9613071007	9613071107	9613071207	9613484807
	1	Valve body, 22-00 . . . . .	9613489209	9613070909	9613071009	9613071109	9613071209	9613484809
	1	Valve body, 11-90 . . . . .	9613489202	9613070902	9613071002	9613071102	9613071202	9613484802
	1	Valve body, 12-90 . . . . .	9613489206	9613070906	9613071006	9613071106	9613071206	9613484806
	1	Valve body, 21-90 . . . . .	9613489208	9613070908	9613071008	9613071108	9613071208	9613484808
	1	Valve body, 22-90 . . . . .	9613489210	9613070910	9613071010	9613071110	9613071210	9613484810
	1	Valve body, 11-180 . . . . .	9613489203	9613070903	9613071003	9613071103	9613071203	9613484803
	1	Valve body, 11-270 . . . . .	9613489204	9613070904	9613071004	9613071104	9613071204	9613484804



TD 449-014\_3

## Service kits for Product Wetted Parts

### Plug set-up



(Plug set-up 12)

**PMO 1½"**

Service kit, NBR	.....	9611926853
Service kit, EPDM	.....	9611926854
Service kit, HNBR	.....	9611926855
Service kit, FPM	.....	9611926856

**PMO 2"**

Service kit, NBR	.....	9611926830
Service kit, EPDM	.....	9611926827
Service kit, HNBR	.....	9611926836
Service kit, FPM	.....	9611926833

**PMO 2.5"+3"**

Service kit, NBR	.....	9611926831
Service kit, EPDM	.....	9611926828
Service kit, HNBR	.....	9611926837
Service kit, FPM	.....	9611926834

**PMO 4"**

Service kit, NBR	.....	9611926832
Service kit, EPDM	.....	9611926829
Service kit, HNBR	.....	9611926838
Service kit, FPM	.....	9611926835

**PMO 6"**

Service kit, NBR	.....	9611926857
Service kit, EPDM	.....	9611926858
Service kit, HNBR	.....	9611926859
Service kit, FPM	.....	9611926860

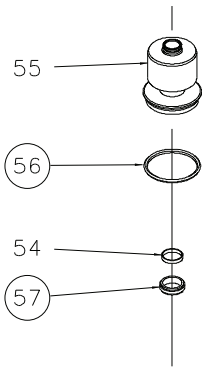
**NOTE!**

All FPM service kits are supplied with EPDM seal ring, pos. 74.



# Rebuilding Set PMO-F to PMO Plus CP

1.8



TD 449-368

## Rebuilding Set PMO-F to PMO Plus CP

Pos	Qty	Denomination	PMO 1½"	PMO 2"	PMO 2½"	PMO 3"	PMO 4"	PMO 6"
			Seat ø53,3	Seat ø81.3	Seat ø115.3	Seat ø115.3	Seat ø143.9	Seat ø206.1
		Upper plug, cpl., NBR . . .	9613466265	9613466201	9613466202	9613466203	9613466204	9613466266
		Upper plug, cpl., EPDM . .	9613466267	9613466205	9613466206	9613466207	9613466208	9613466268
		Upper plug, cpl., HNBR . .	9613466269	9613466209	9613466210	9613466211	9613466212	9613466270
		Upper plug, cpl., FPM . . .	9613466271	9613466213	9613466214	9613466215	9613466216	9613466272

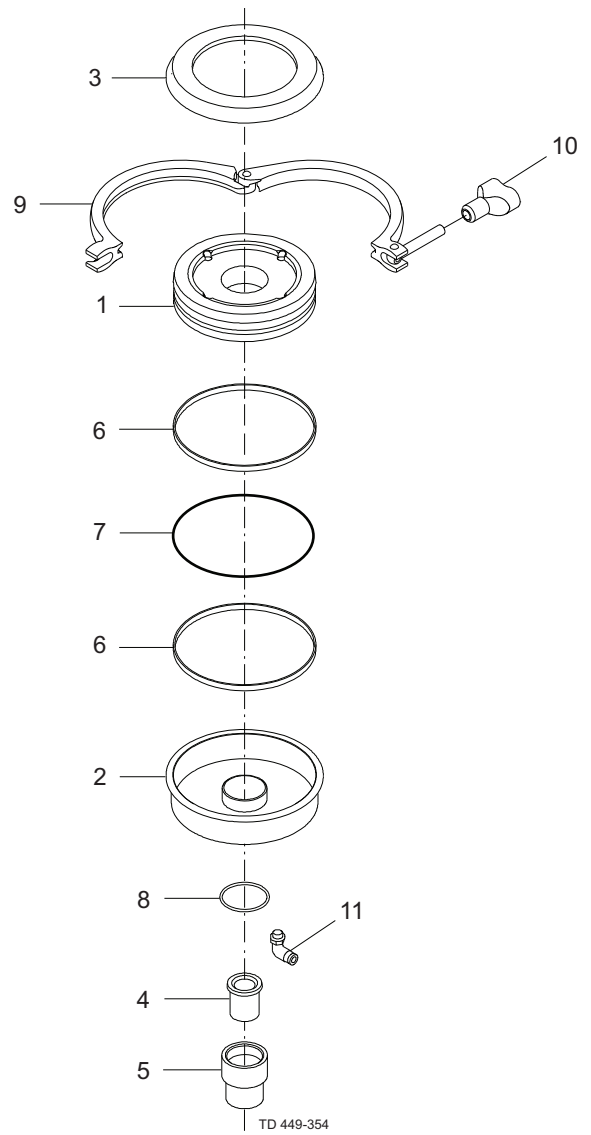
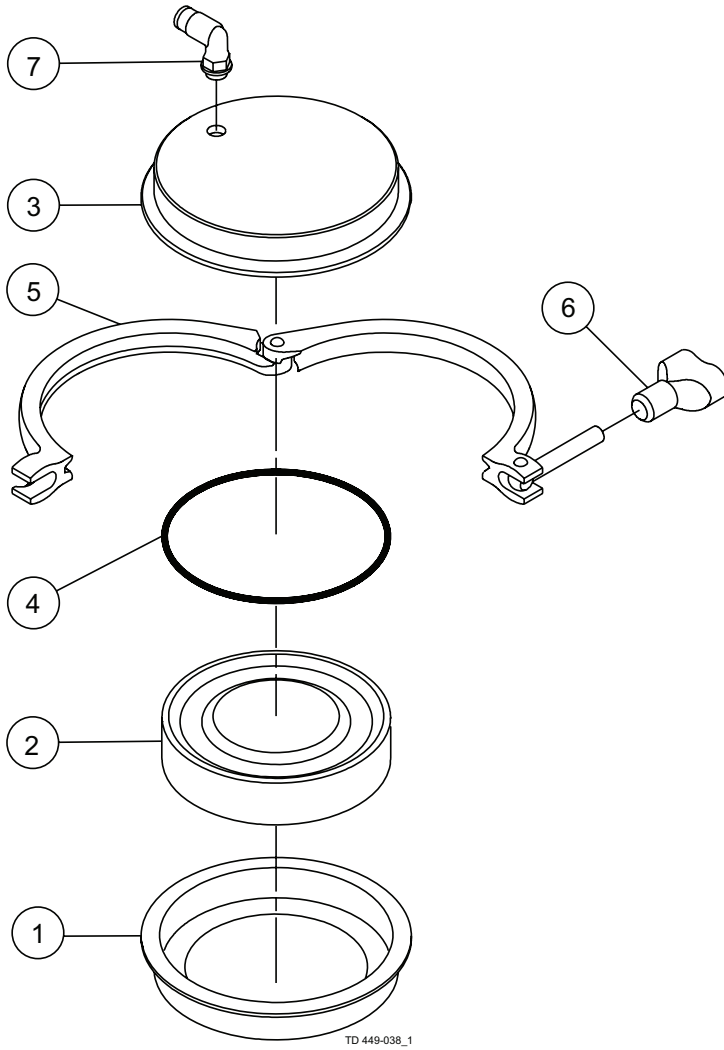
1.8

Pos	Qty	Denomination
54	1	Guide ring, PTFE . . . . .
55	1	Upper plug . . . . .
56	1	Seal ring . . . . .
57	1	Lip seal . . . . .
99	1	Label . . . . .

Axial installation tool

Radial installation tool

1.8

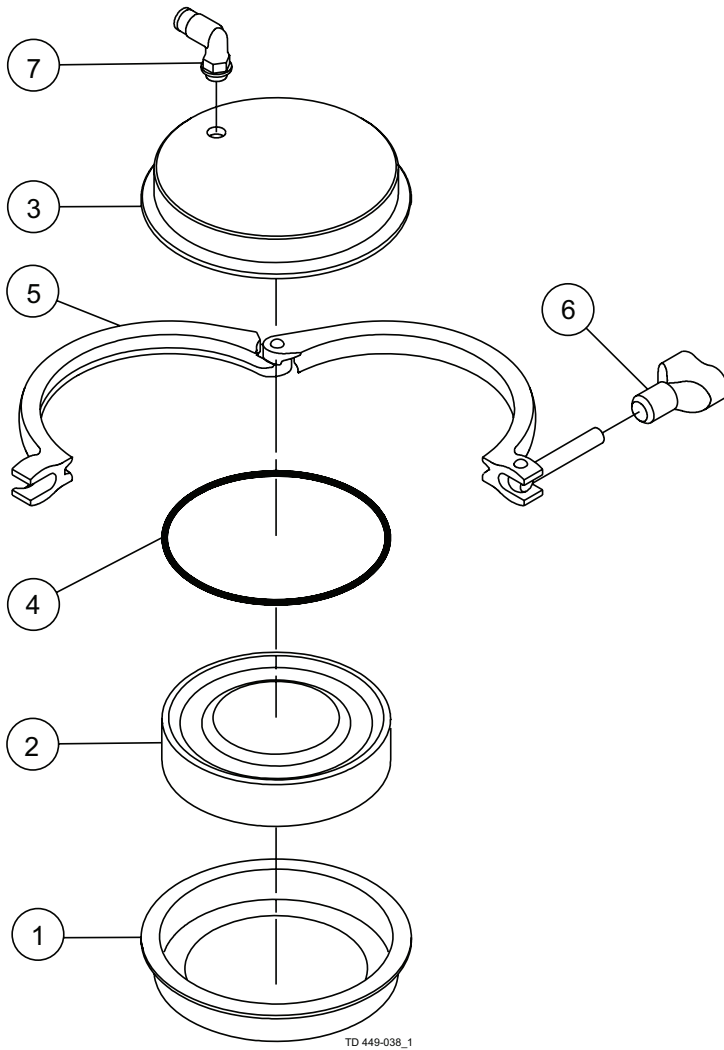


Seat size					
<b>Unique Mixproof, Unique Mixproof CP3 and Unique Mixproof 3-body</b>	<b>Seat 53.3 1.5" + 2"</b>	<b>Seat 81.3 2.5" + 3"</b>	<b>Seat 100.3 4"</b>	<b>Seat 115.3 6"</b>	
Axial installation tool	9613050501	9613050502	9613050508	9613050503	
Radial installation tool	9613426001	9613426002	9613426003	9613426004	
<b>Unique-TO</b>	<b>Seat 53.3</b>	<b>Seat 81.3</b>	<b>Seat 100.3</b>	<b>Seat 115.3</b>	
Axial installation tool	9613050501	9613050502	9613050508	9613050503	
Radial installation tool	9613426001	9613426002	9613426003	9613426004	
Mounting tool for lip seal	9613004001				
<b>Unique LP and LP-F, PMO Curd and Curd CP Mixproof</b>				<b>Seat 143.9</b>	<b>Seat 206.1</b>
Axial installation tool				9613050507	9613050510
Radial installation tool				9613426009	9613426010
<b>Unique PMO, PMO-F, PMO Plus and PMO Plus CP</b>	<b>Seat 53.3 1.5"</b>	<b>Seat 81.3 2"</b>	<b>Seat 115.3 2.5" + 3"</b>	<b>Seat 143.9 4"</b>	<b>Seat 206.1 6"</b>
Axial installation tool	9613050501	9613050502	9613050503	9613050507	9613050510
Radial installation tool	9613426001	9613426002	9613426004	9613426009	9613426010
<b>Unique PMO Plus CP, HT</b>		<b>Seat 81.3 2.5"</b>	<b>Seat 81.3 3"</b>	<b>Seat 115.3 4"</b>	<b>Seat 206.1 6"</b>
Axial installation tool		9613050502	9614079201	9613050503	9613050510
Radial installation tool		9614078801	9614078801	9614078802	9614078803
<b>Unique PMO Plus CP, VT</b>		<b>Seat 81.3 2"+2.5"</b>	<b>Seat 81.3 3"</b>	<b>Seat 115.3 4"</b>	
Axial installation tool		9613050502	9614079201	9613050503	
Radial installation tool		9614078801	9614078801	9614078802	

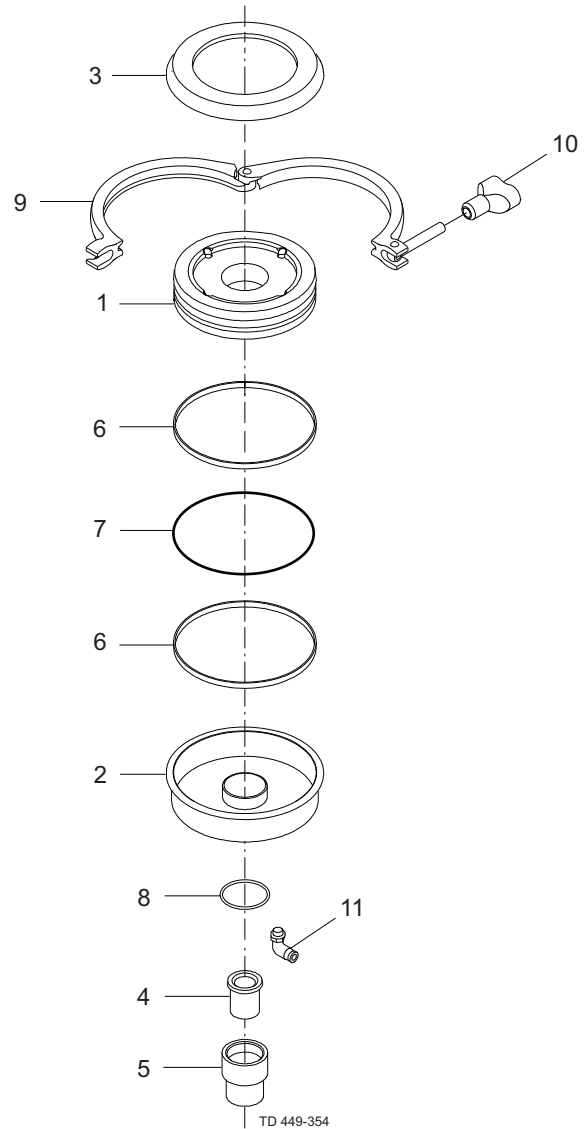
1.8

Axial installation tool

Radial installation tool



TD 449-038\_1



TD 449-354

Pos	Qty	Denomination	9613050501*	9613050502*	9614079201*	9613050508*
<b>Spare parts for axial installation tool</b>						
1	1	Lower part				
2	1	Piston				
3	1	Upper part				
4	1	O-ring, NBR	9611993703	9611993703	9611993703	9611993349
5	1	Clamp				
6	1	Wing nut				
7	1	Air fitting				

Pos	Qty	Denomination	9613050503*	9613050507*	9613050510*
<b>Spare parts for axial installation tool</b>					
1	1	Lower part			
2	1	Piston			
3	1	Upper part			
4	1	O-ring, NBR	9611993349	9611994113	9611995169
5	1	Clamp			
6	1	Wing nut			
7	1	Air fitting			

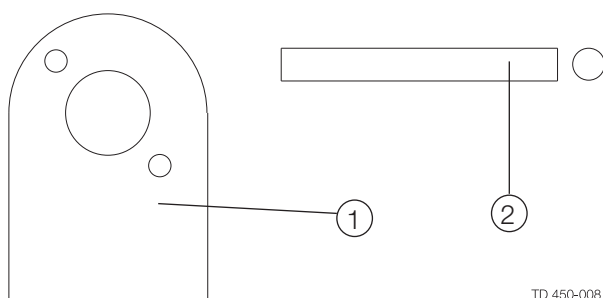
Pos	Qty	Denomination	9613426001*	9613426002*	9613426003*	9613426004*	9613426009*
<b>Spare parts for radial installation tool</b>							
1	1	Piston					
2	1	Lower part					
3	1	Upper part					
4	1	Bushing					
5	1	Guide					
6	2	Guide ring	9613008422	9613008422	9613008422	9613008422	9613008423
7	1	O-ring, NBR	9611993349	9611993349	9611993349	9611993349	9611994113
8	1	O-ring, NBR	9611993705	9611993705	9611993705	9611993705	9611993705
9	1	Clamp					
10	1	Wing nut					
11	1	Air fitting					

Pos	Qty	Denomination	9613426010*	9614078801*	9614078802*	9614078803*
<b>Spare parts for radial installation tool</b>						
1	1	Piston				
2	1	Lower part				
3	1	Upper part				
4	1	Bushing				
5	1	Guide				
6	2	Guide ring	9613008430	9613008422	9613008422	9613008430
7	1	O-ring, NBR	9611995169	9611993349	9611993349	9611995169
8	1	O-ring, NBR	9611993705	9613993705	9613993705	9613993705
9	1	Clamp				
10	1	Wing nut				
11	1	Air fitting				

\* = article number of the complete tool

*Not manufactured anymore*

1.8



Pos	Qty	Denomination	51 mm	DN50	63.5 mm	DN65
1	1	Mounting plate .....	9612627601	9612627601	9612627601	9612627601
2	1	Rod .....				



*Not manufactured anymore*

1.8

